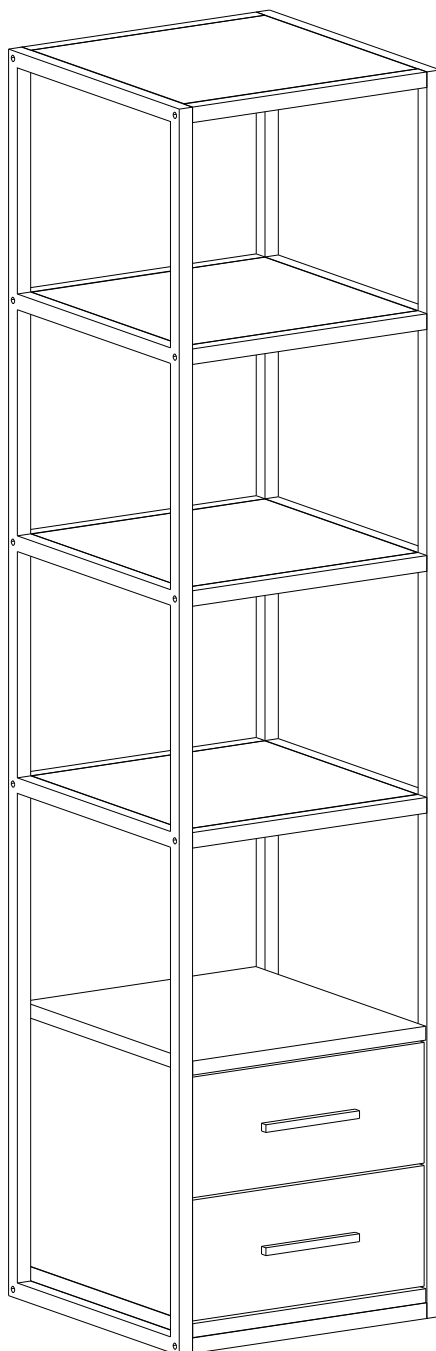


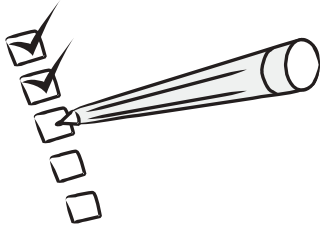
ROBBINS BOOKCASE



Dear Customer,

We design and produce our products for people to love and have fun with them as we do.

The product you bought was subjected to all sorts of tests and control before sending out to you.



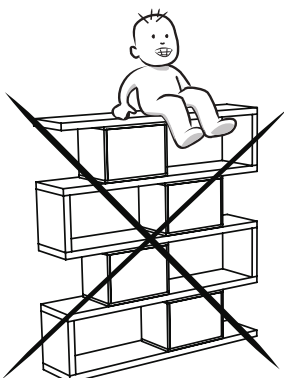
Before assembling, please check the whole components and accessories according to the lists. If you bought more than one product, to prevent confusion be sure that you completed the first product. Then start the other product's assembling.



Before assembling, please clean all the components with a damp cloth. Also for usual cleaning, this will be enough.



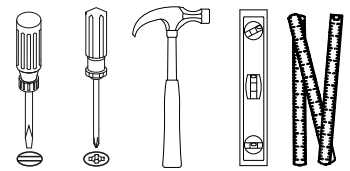
Although all the products are produced and packed carefully, sometimes some components can become damaged during the transportation. In such a case please check the missing or damaged part and do not hesitate to contact us.

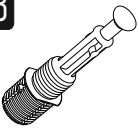
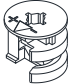
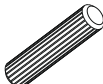
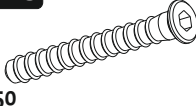

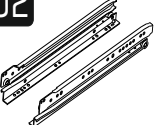


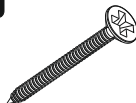

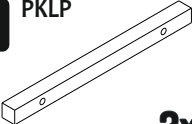
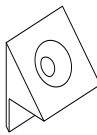

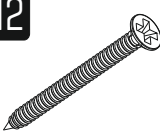
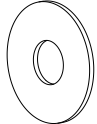
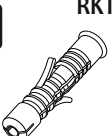
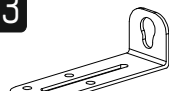




Do not use your furniture for the unintended purpose. If you would like to use it for other purposes, please contact us for further questions.

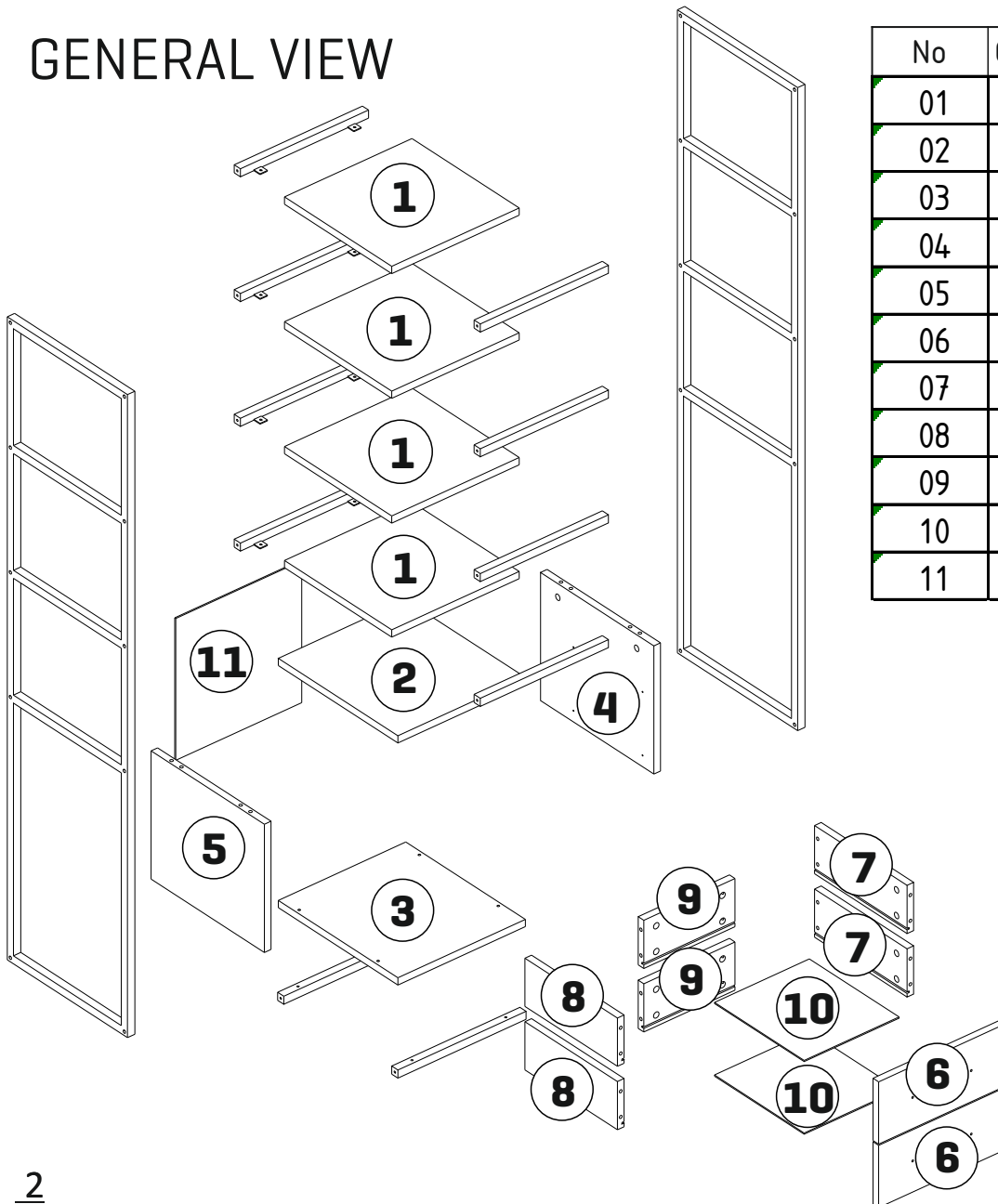
Do not directly contact your furniture with excessive heat, cold and humidity because the product can be affected.

ACCESSORY LIST [18]

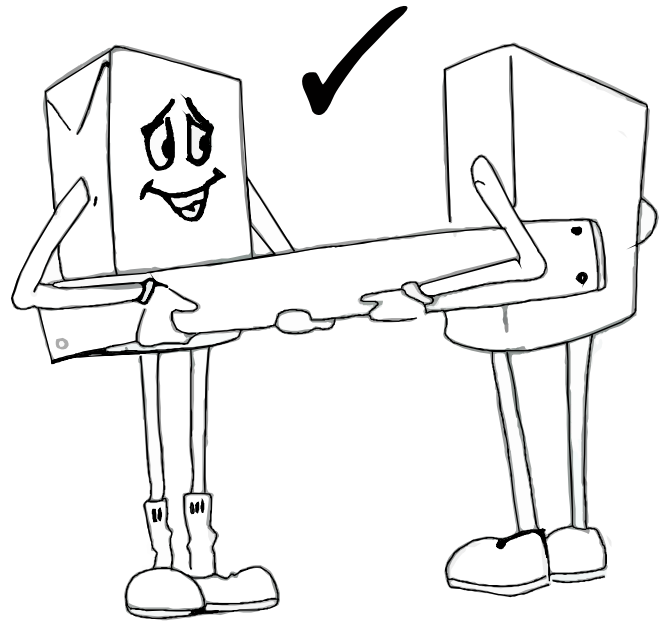
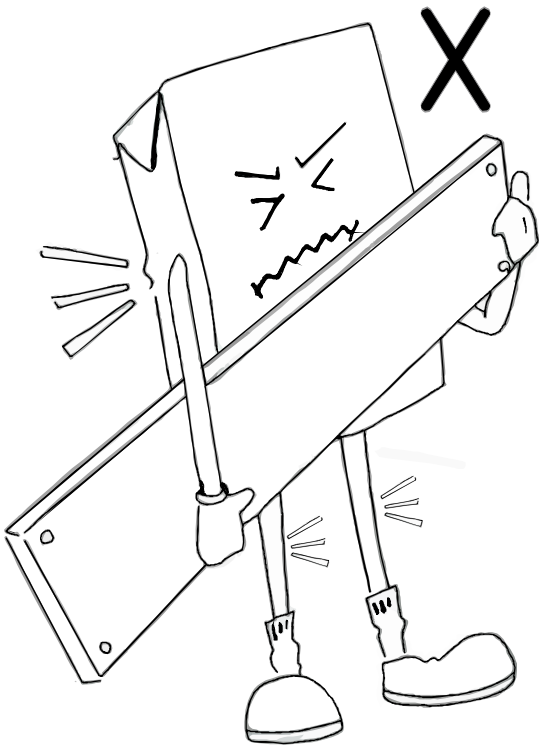


A23 Minifix M8  20x	A22 Minifix G18  20x	A04 KVLY  4x	A13 KBN VDS  6x50 4x	A12 ALYN  4 SW 1x
R02 drwr rail 300  2x	A18 3,5x18  40x	A48 AC  25x1 20x	A14 3-5x35  4x	A49 KLPVD  4x22 mm 4x
K02 PKLP  140x10x10 2x	A21 back pin  8x	V51 M6X30  20x	A42 5x70  1x	V14 MTL STAMP  5x16 1x
V15 RKTDB 8mm  1x	V13 L ASK  100x30 1x	A06 18 mm  R1 24x	T06 Felt  Ø15x3 4x	

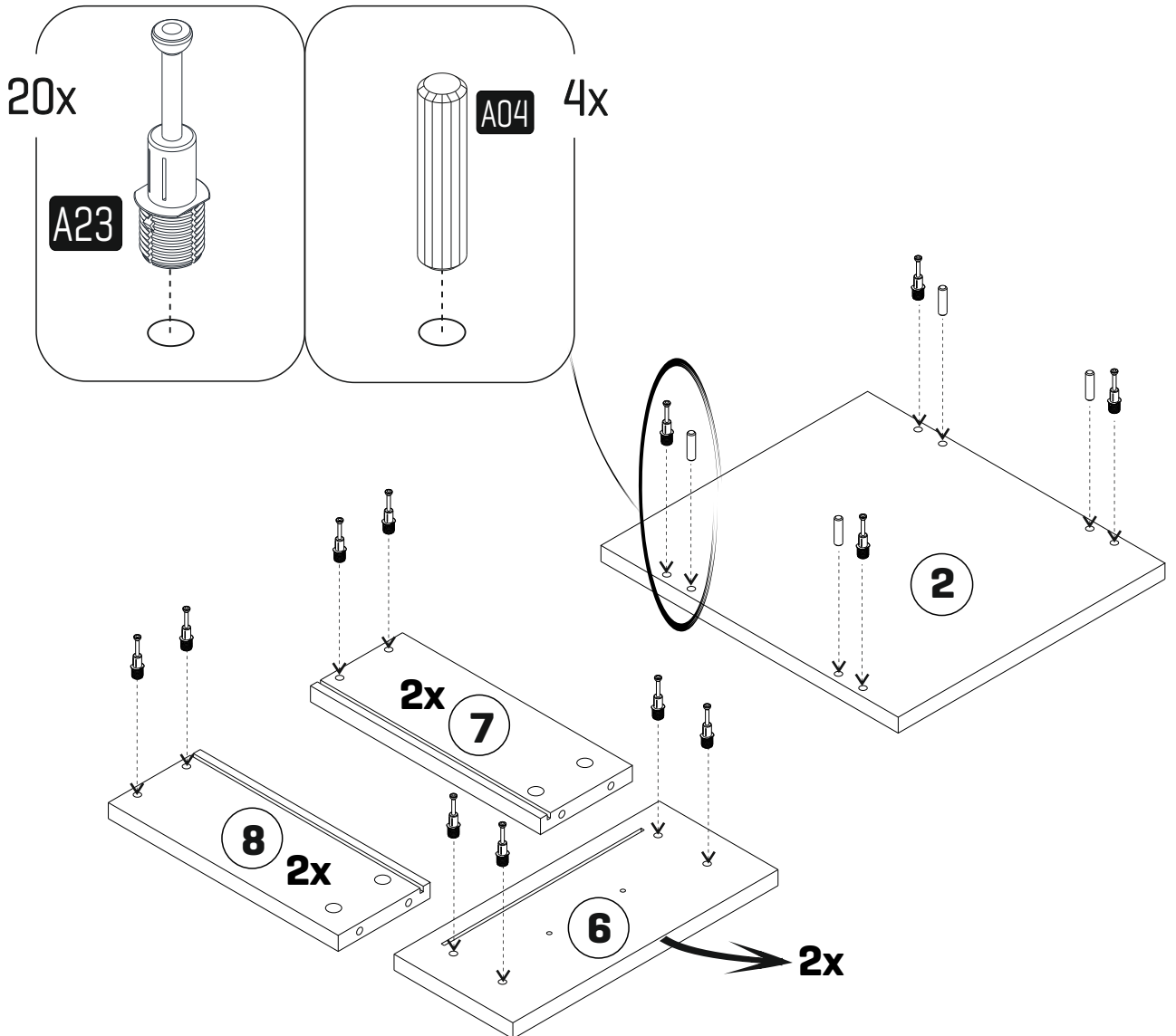
GENERAL VIEW



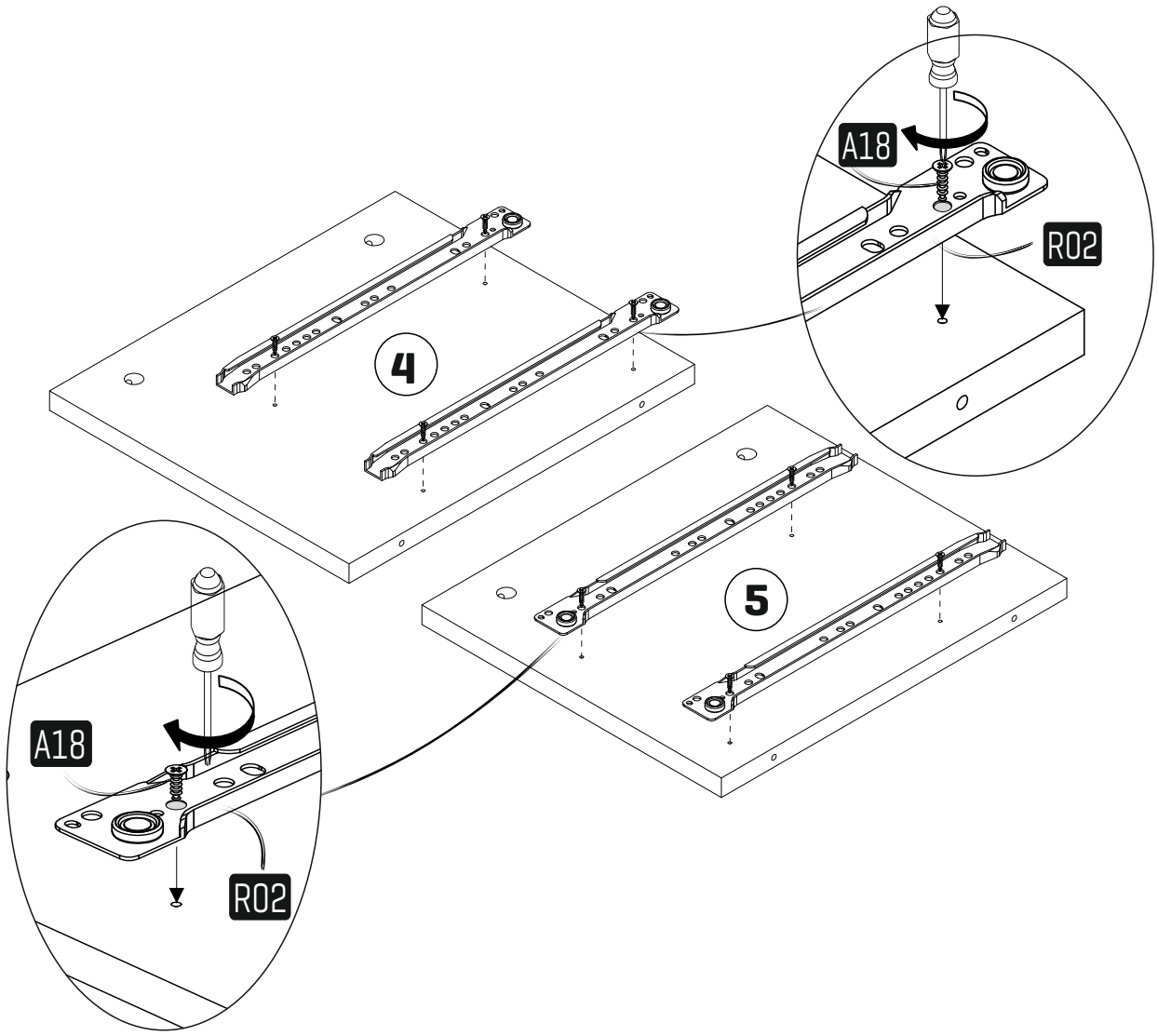
No	Quantity	Dimensions	
01	4	348	348
02	1	348	388
03	1	348	388
04	1	319	368
05	1	319	368
06	2	346	155
07	2	300	120
08	2	300	120
09	2	249	120
10	2	291	259
11	1	353	344



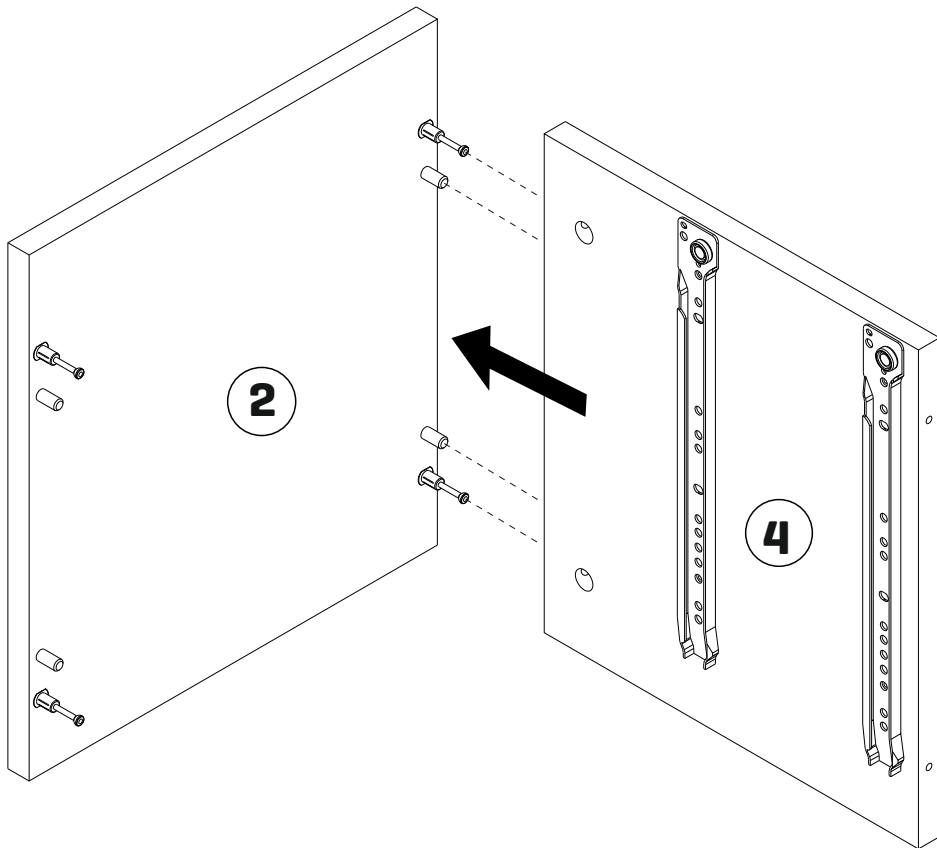
1



2

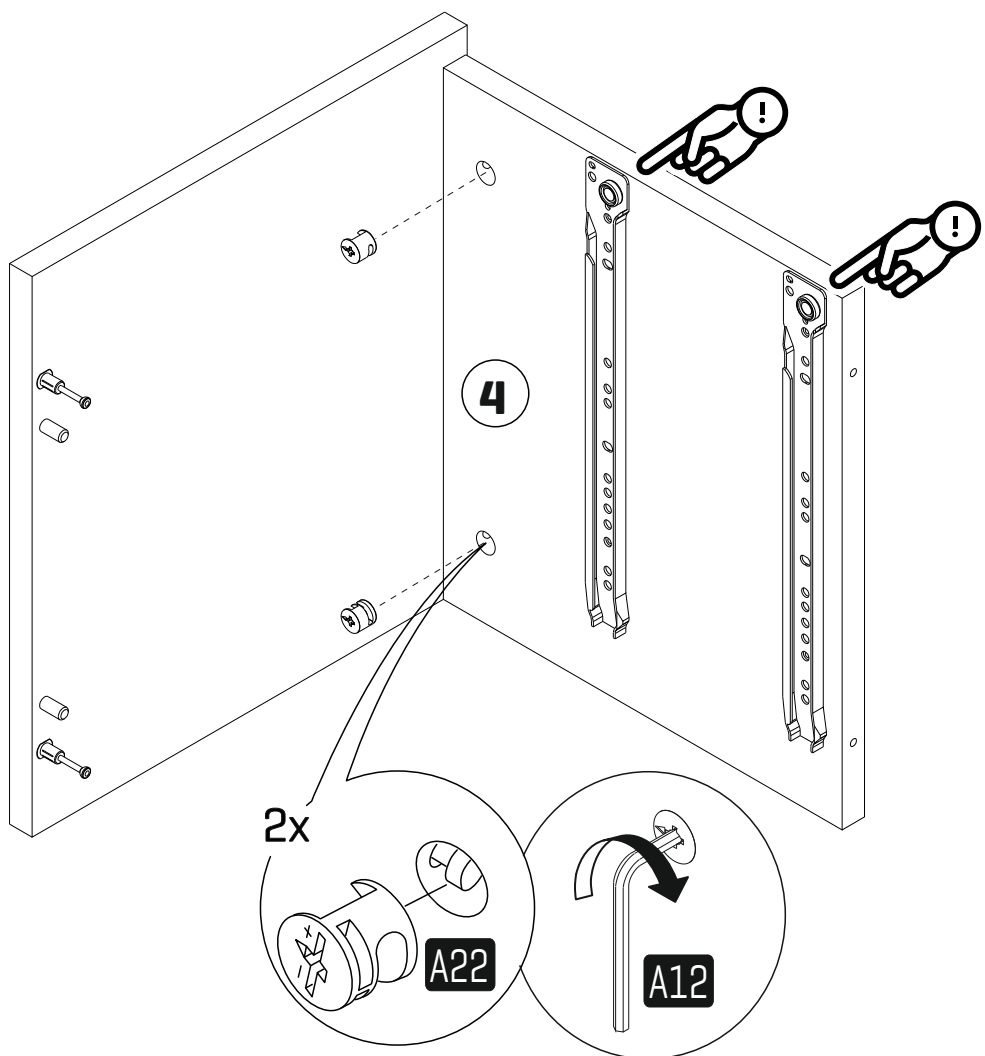


3

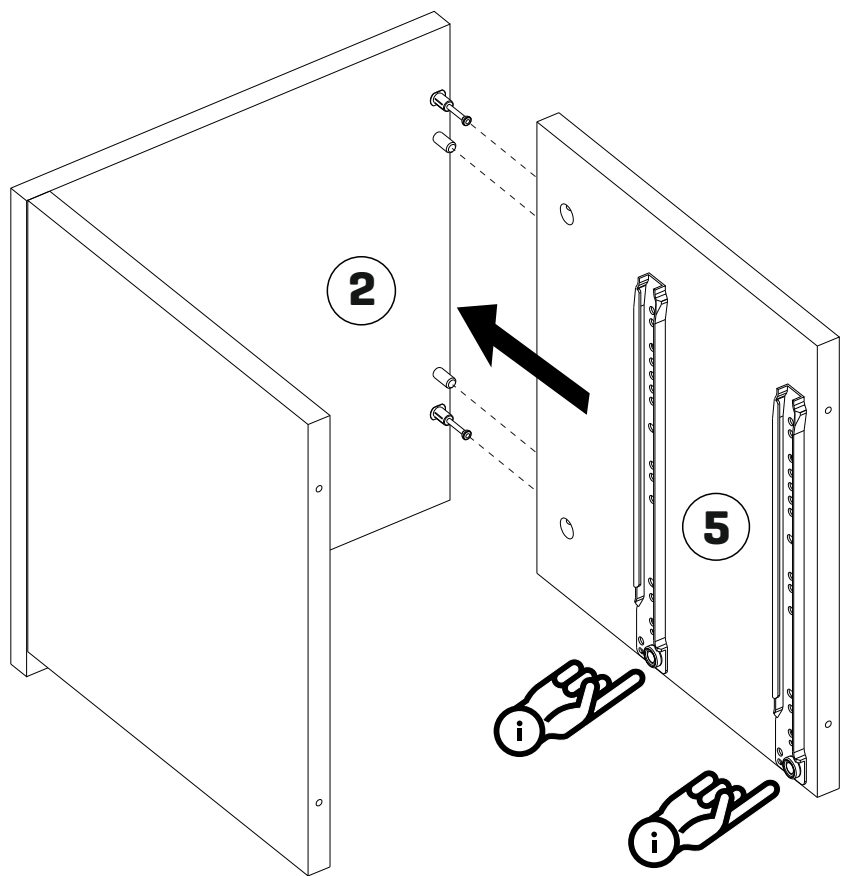


4

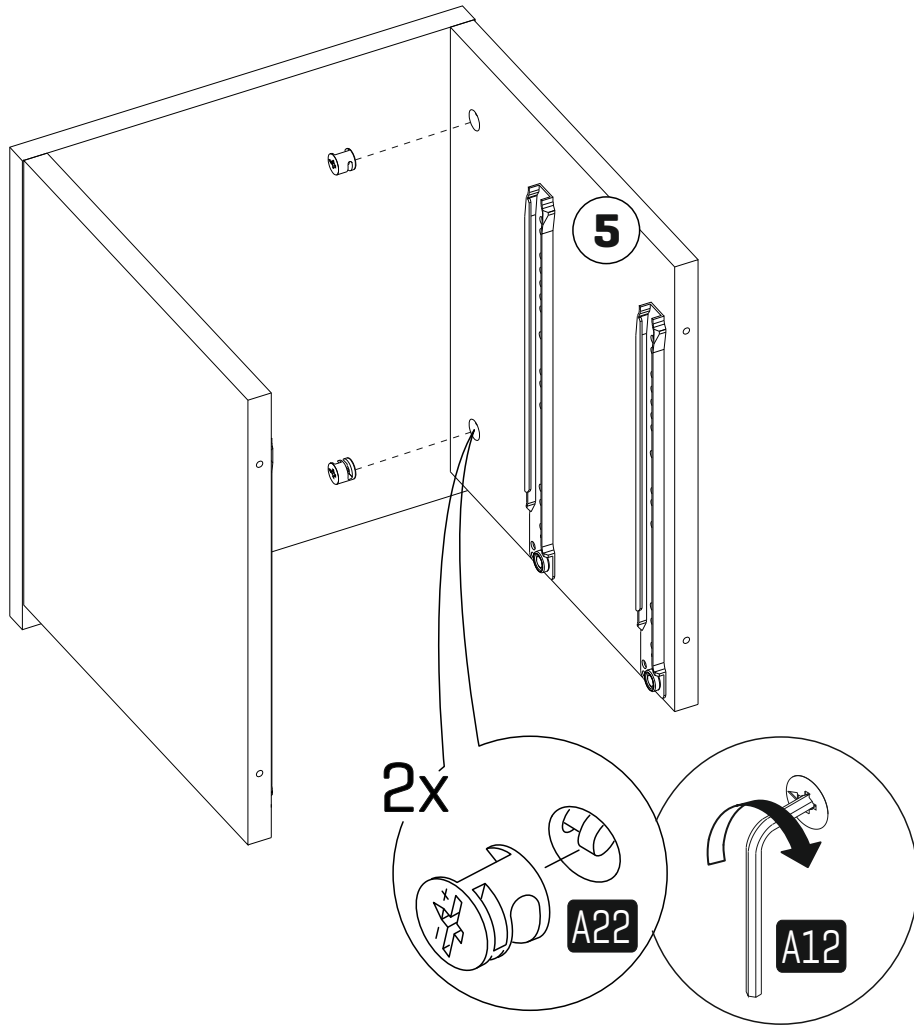
4



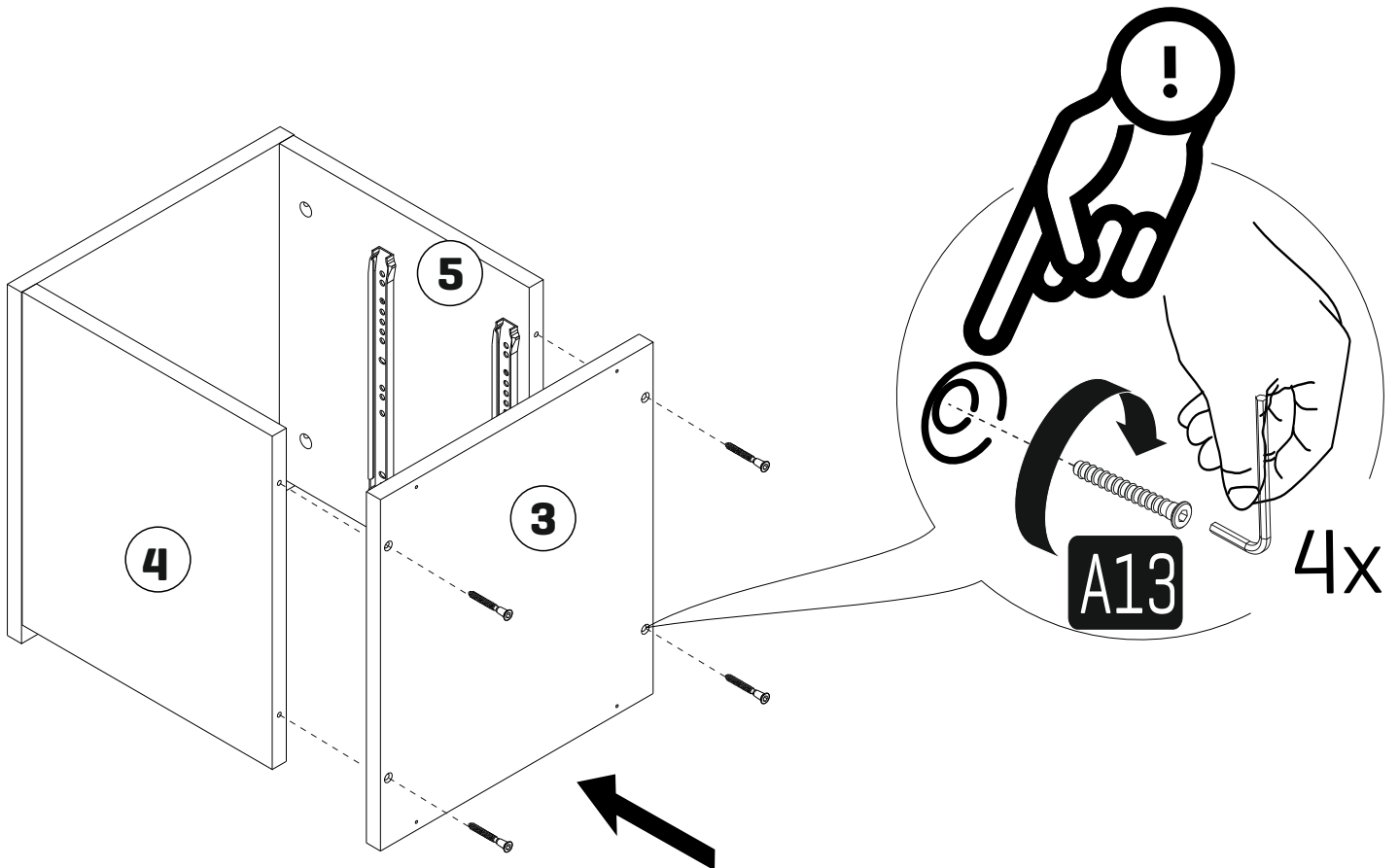
5



6

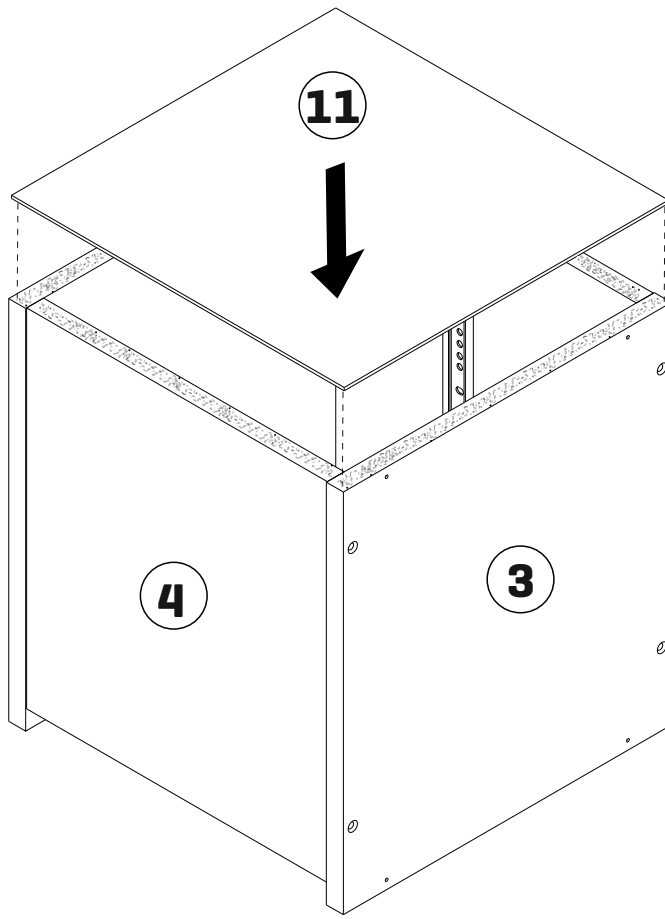


7

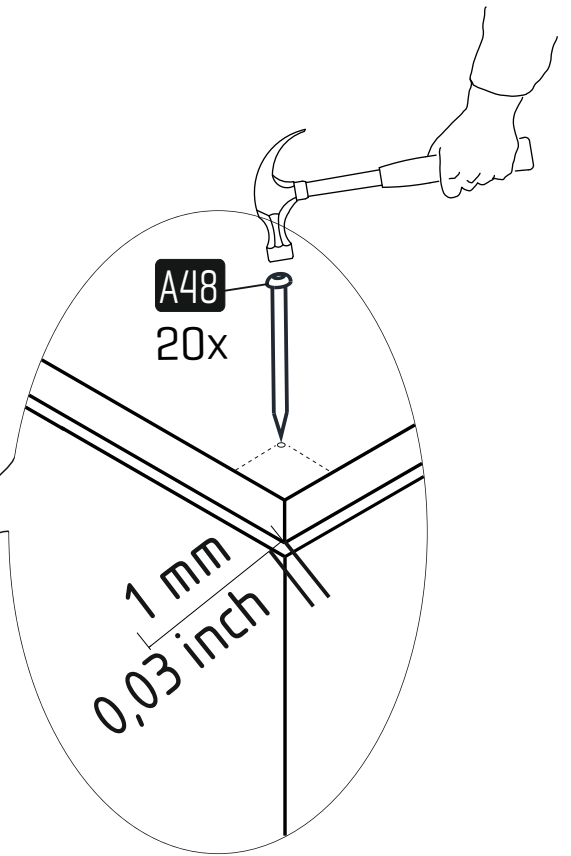
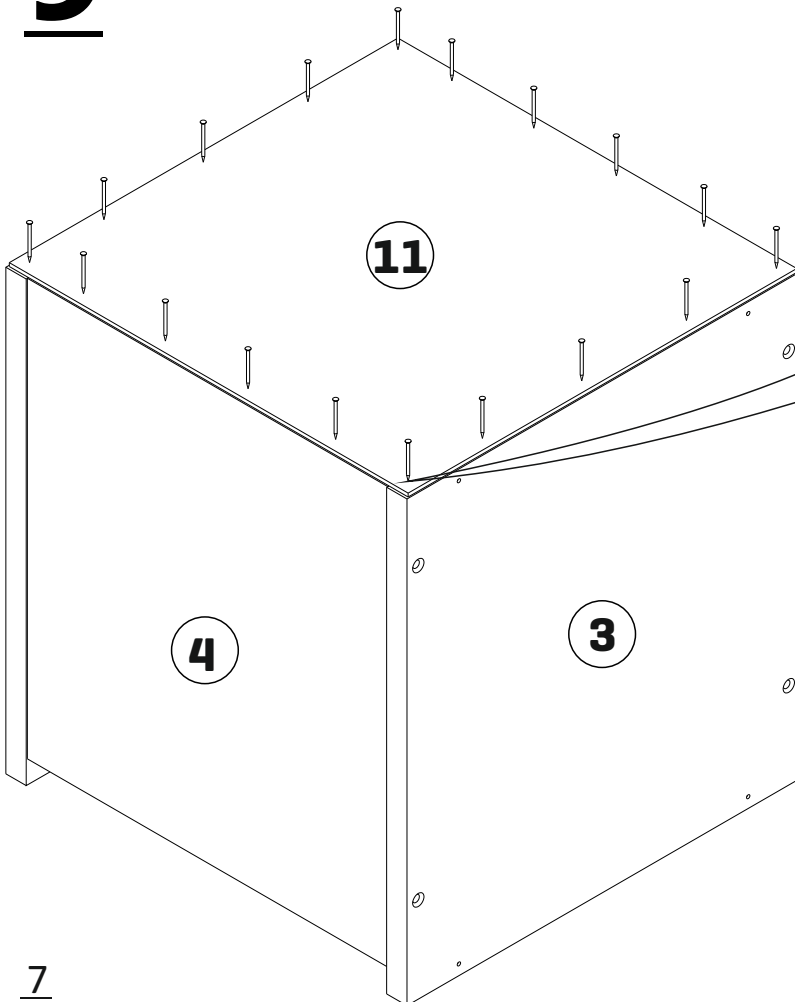


6

8

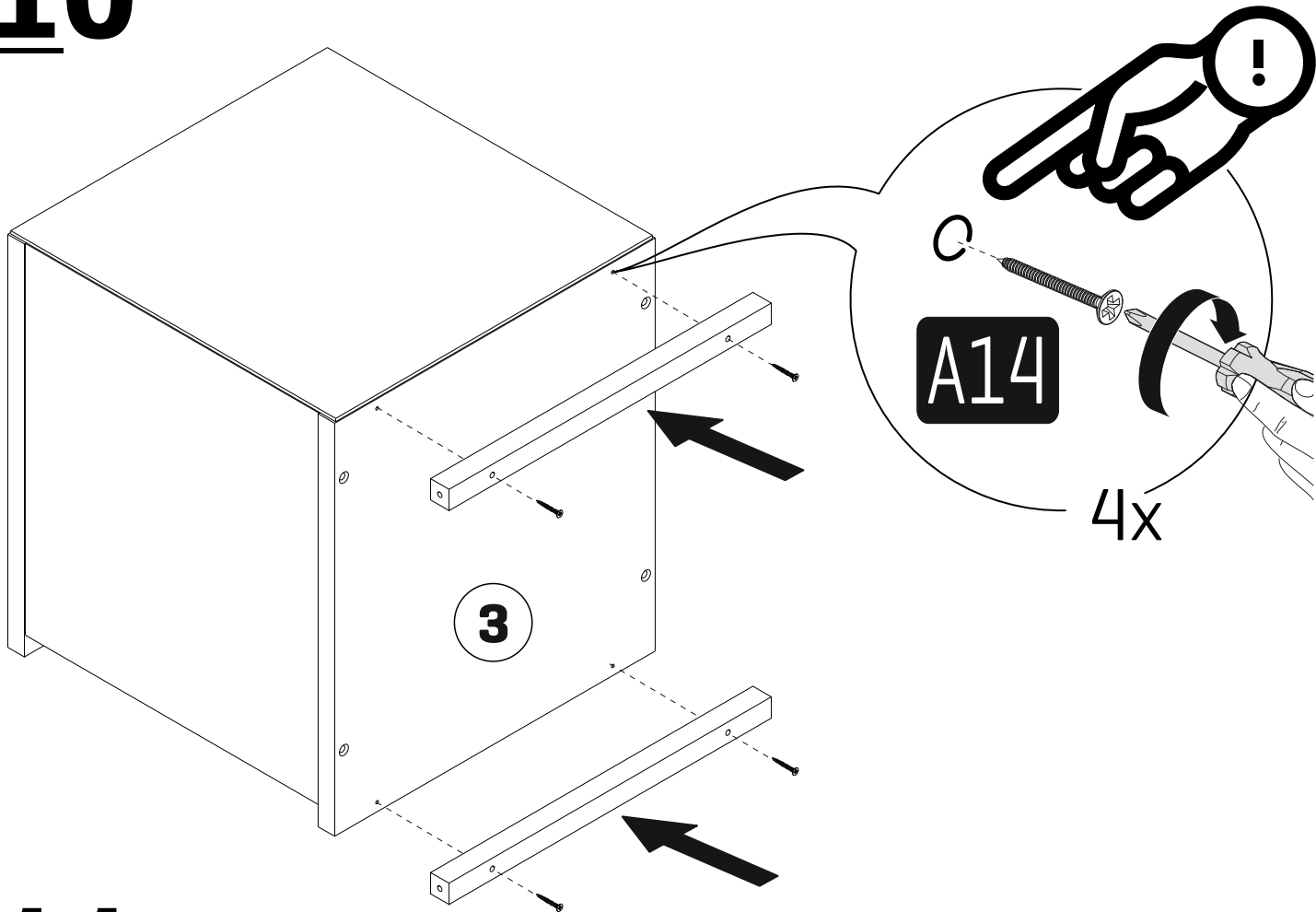


9

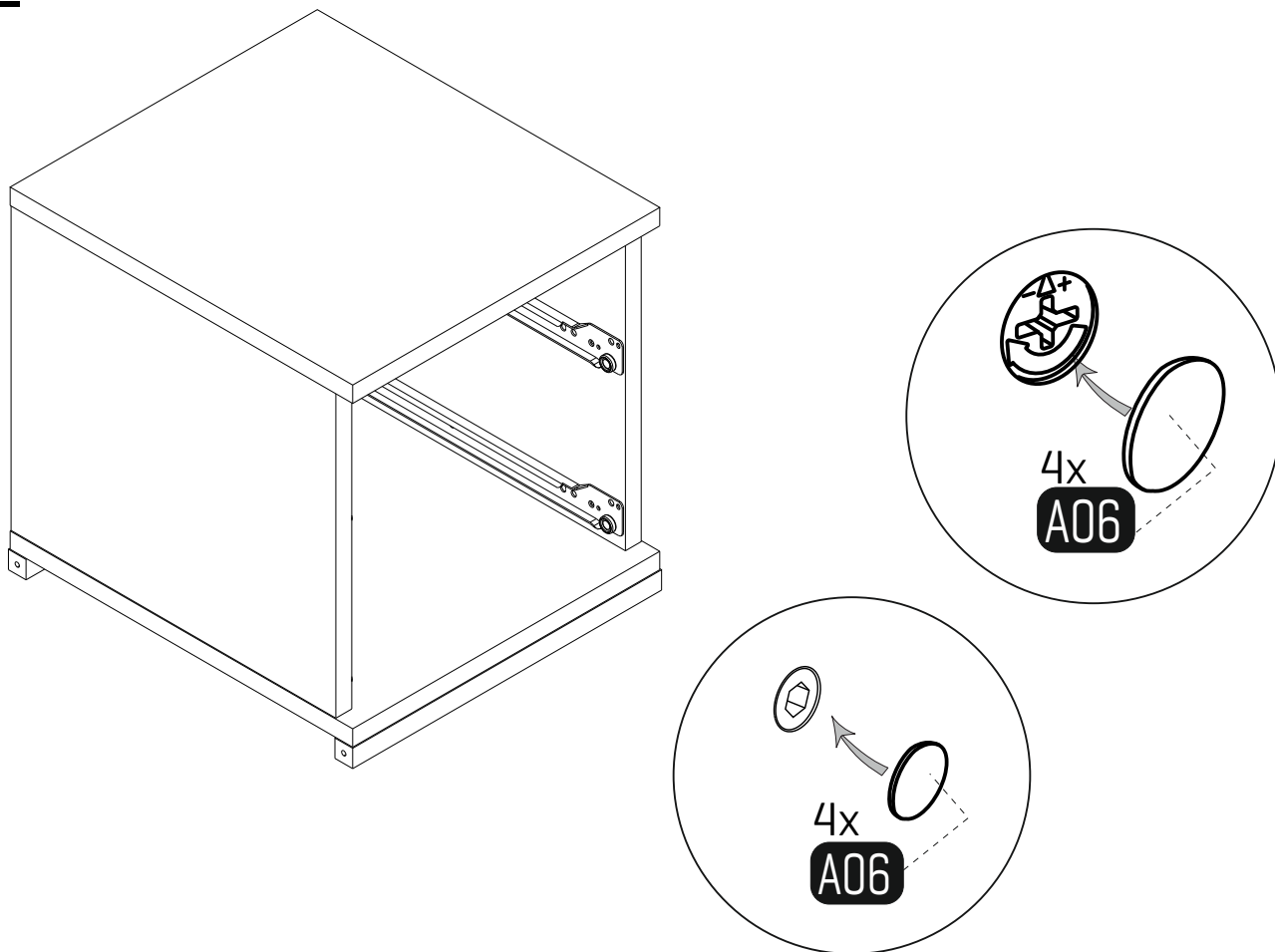


7

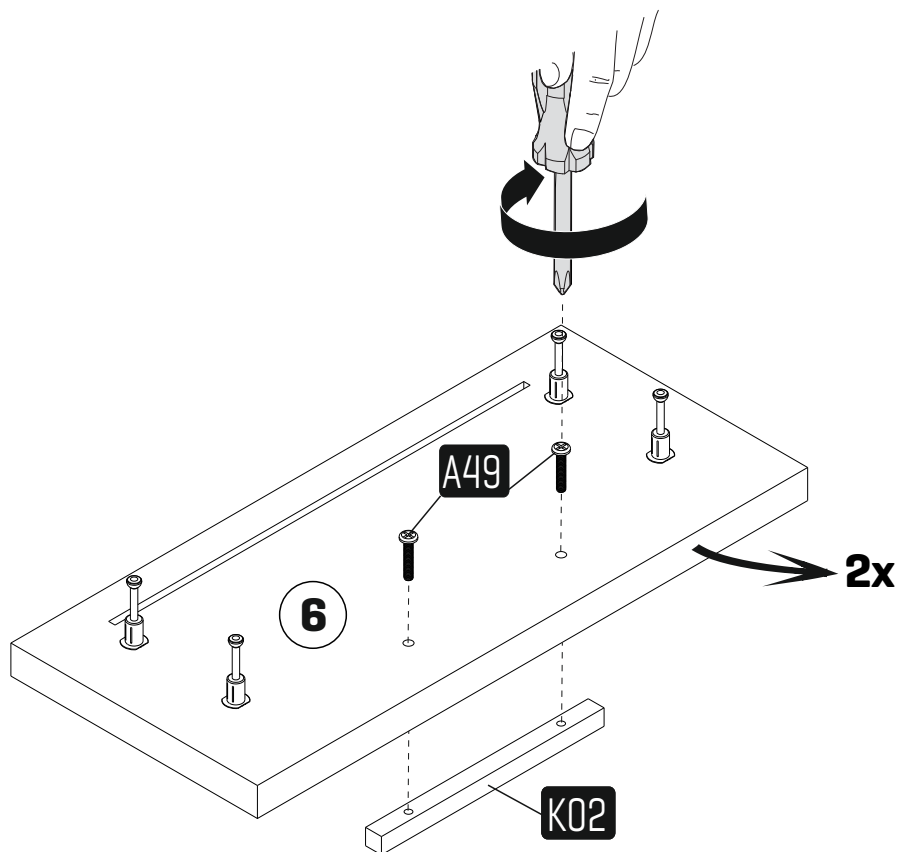
10



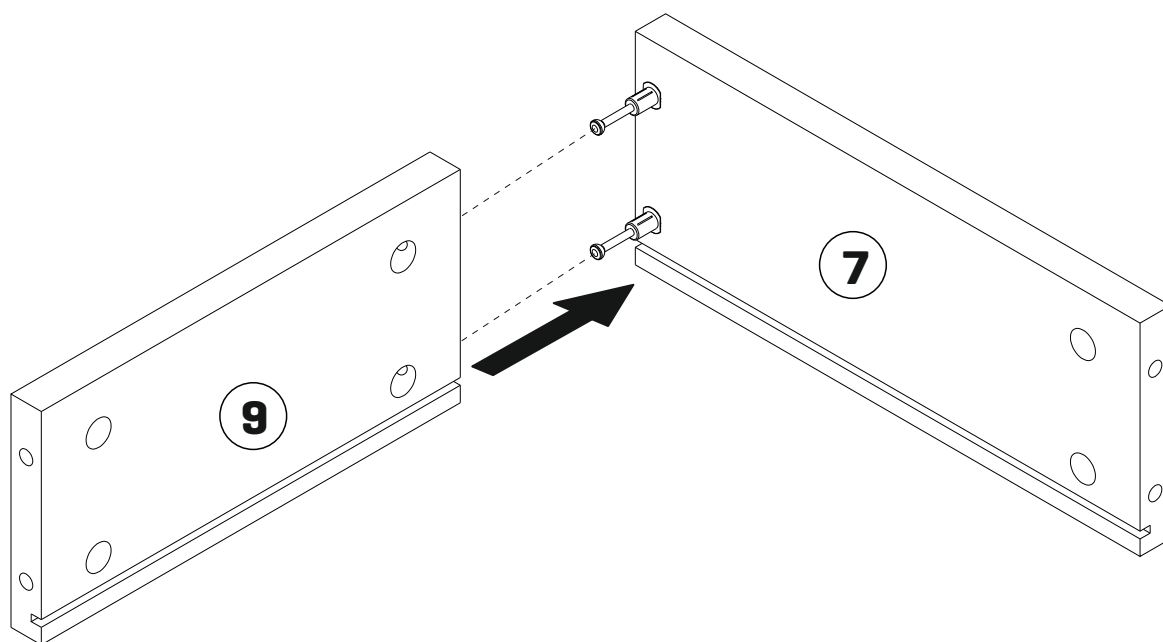
11



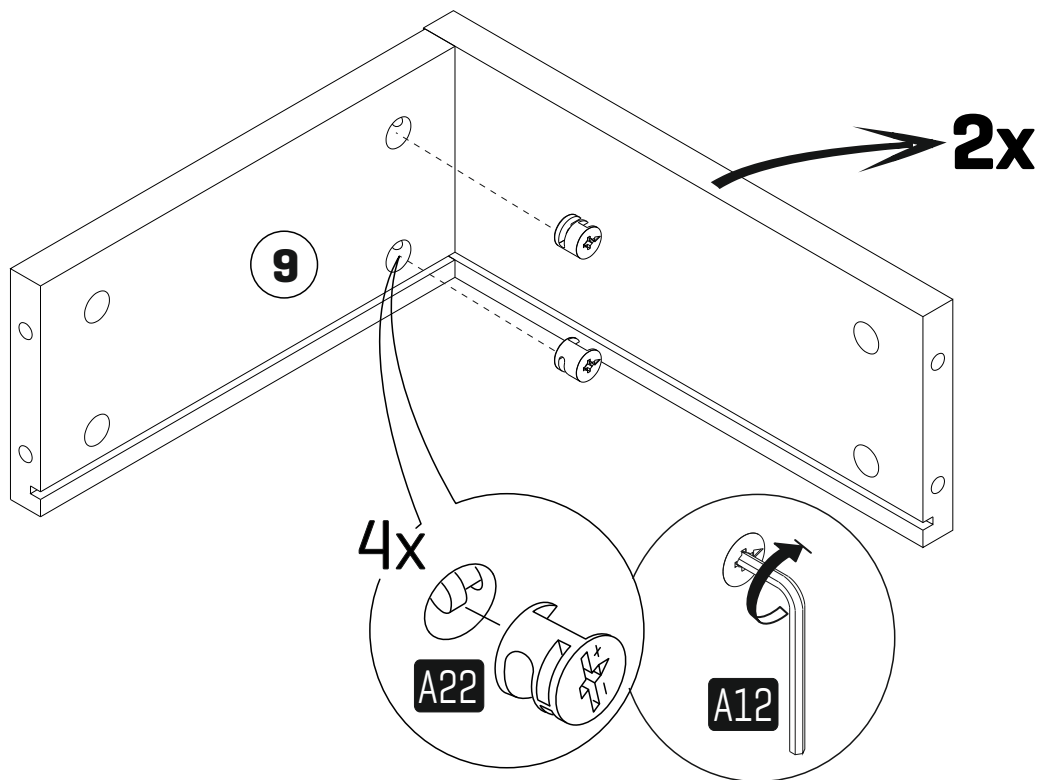
12



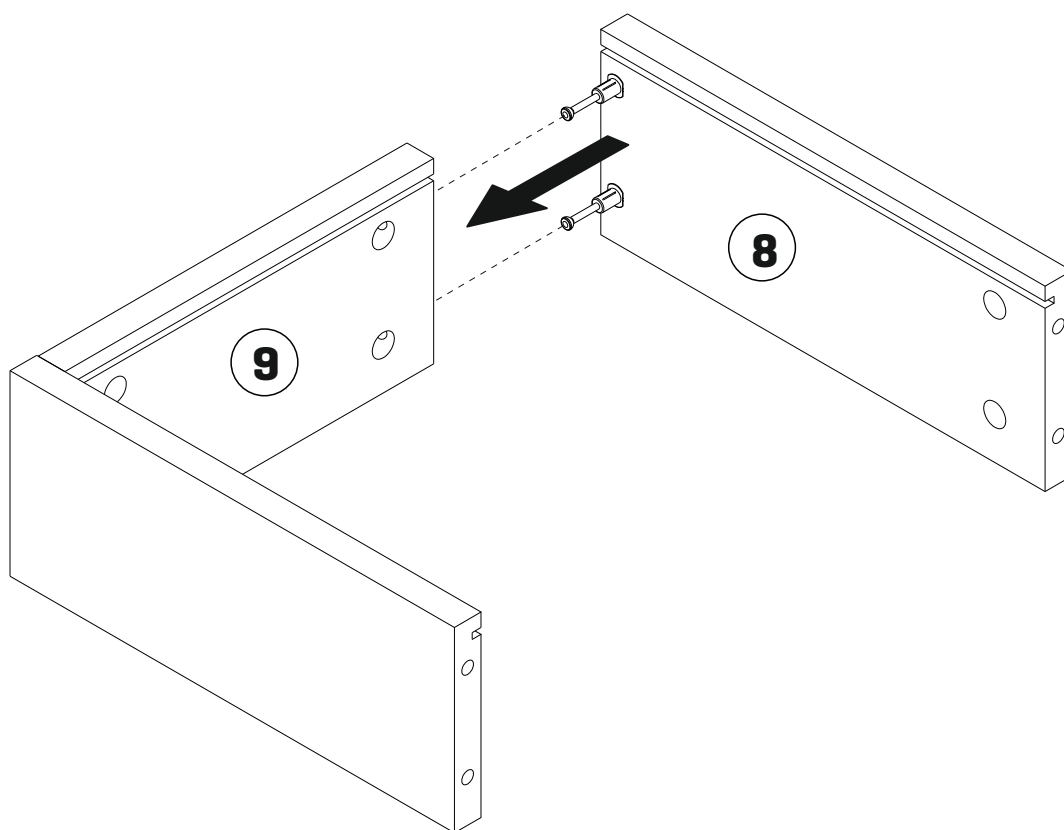
13



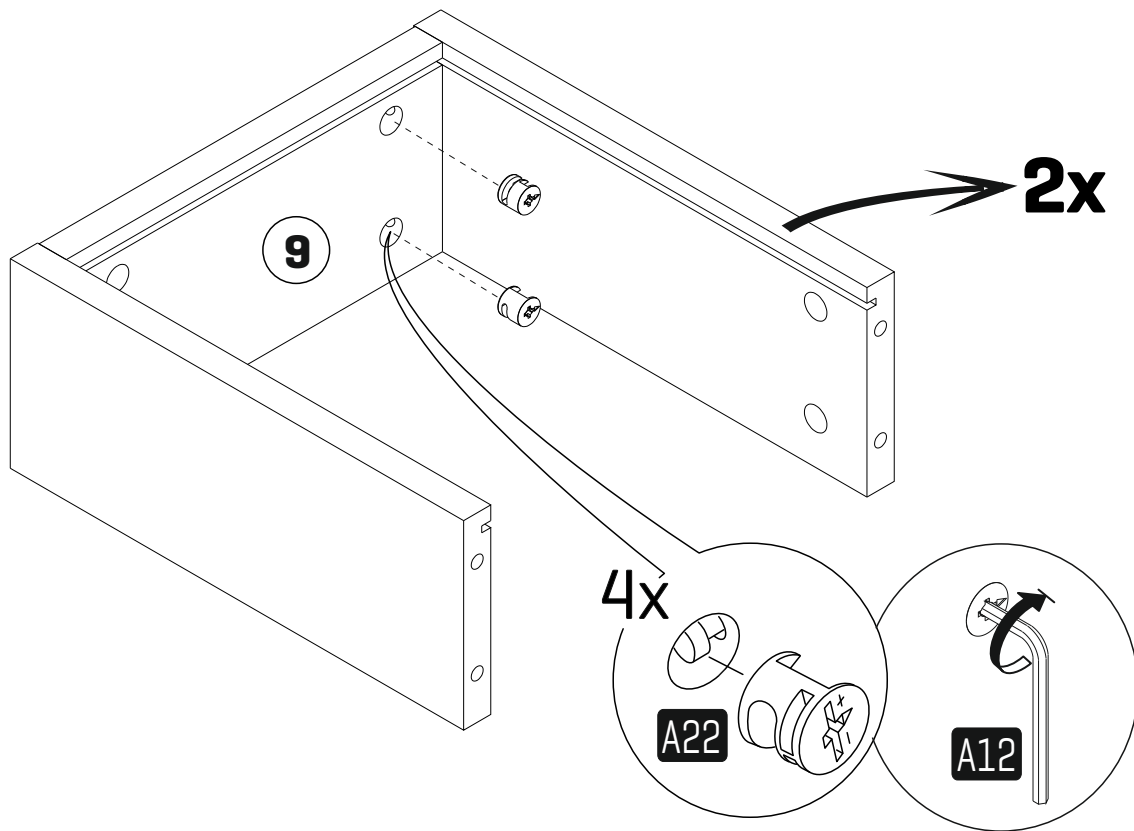
14



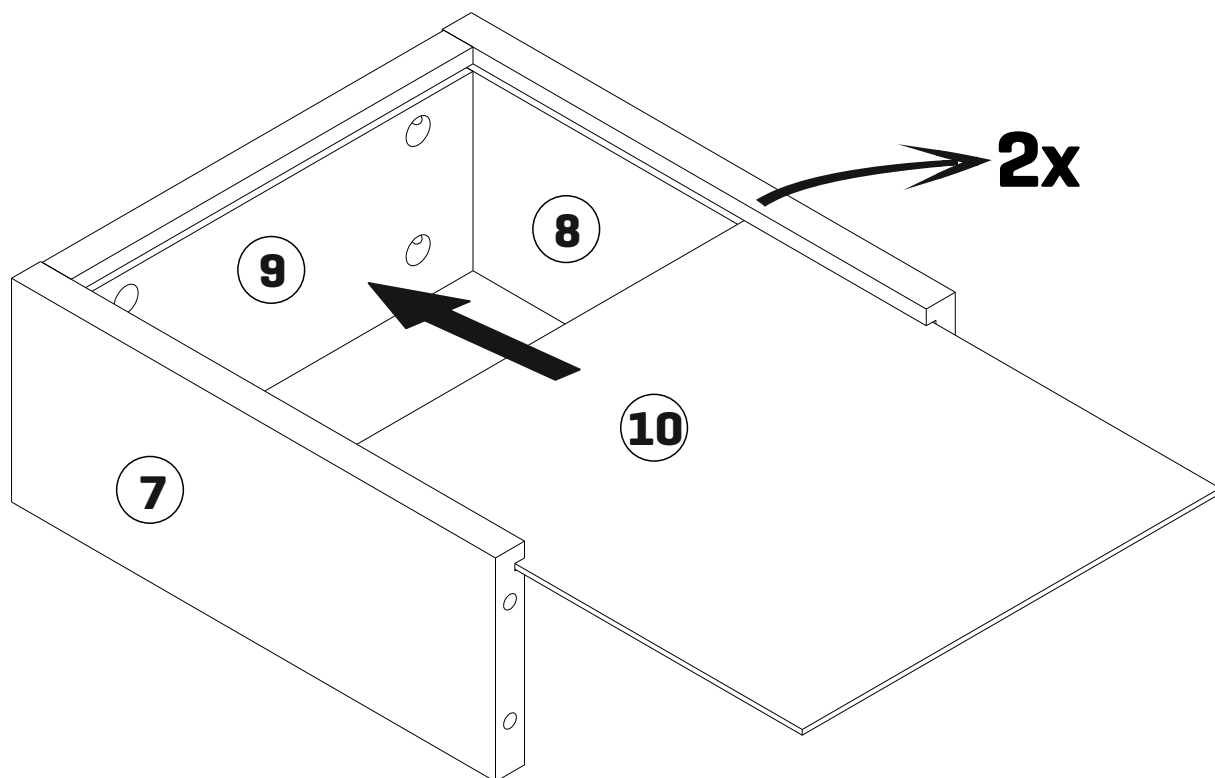
15



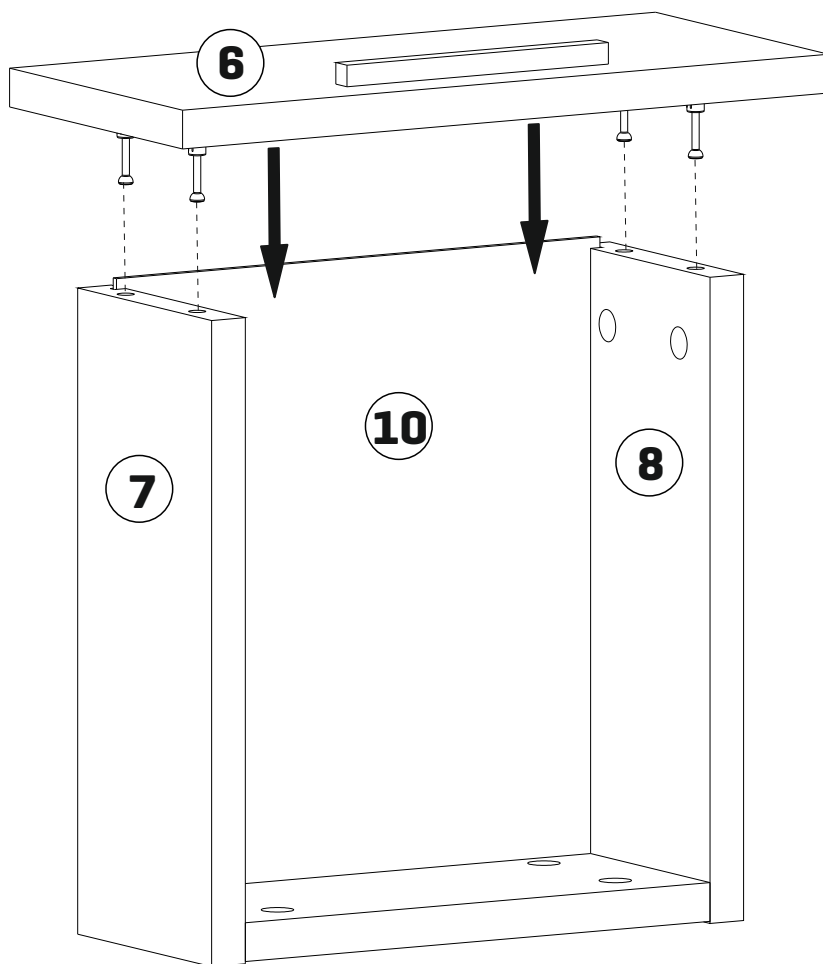
16



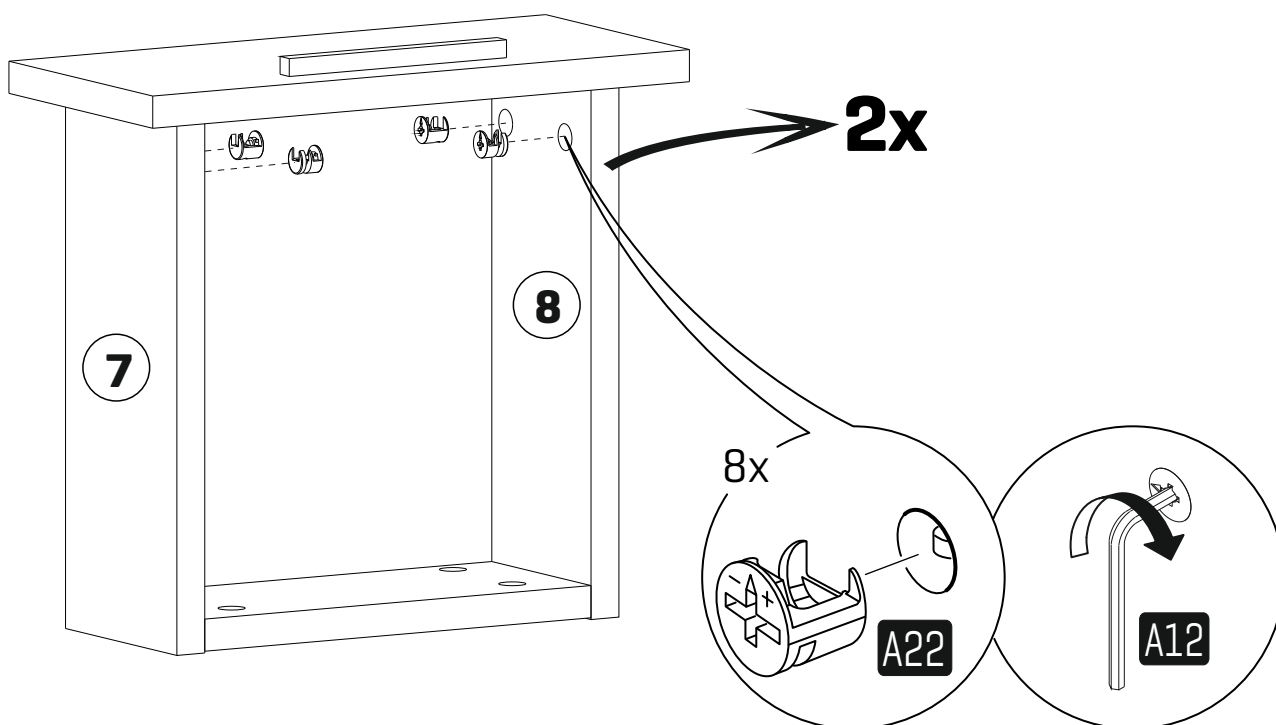
17



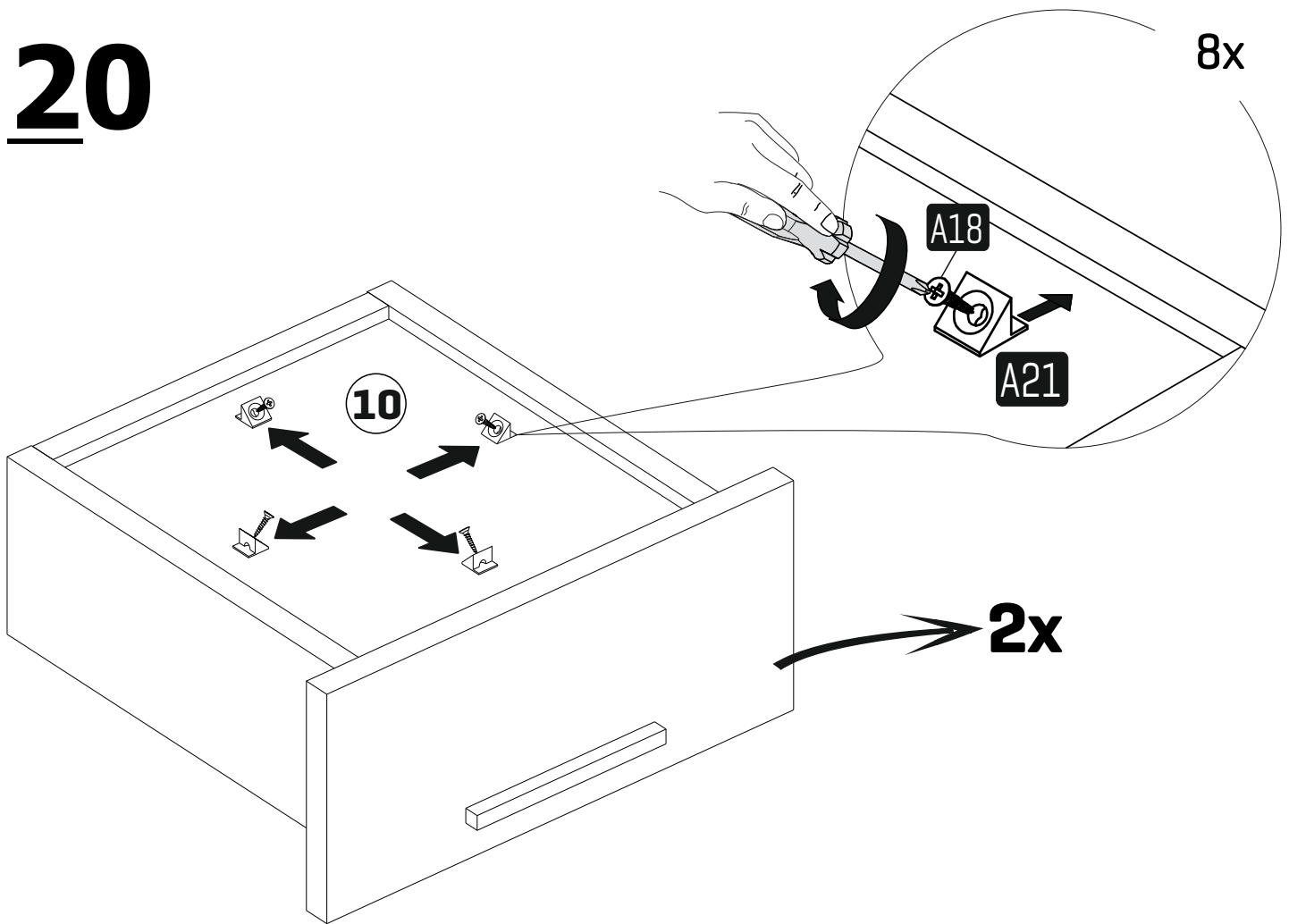
18



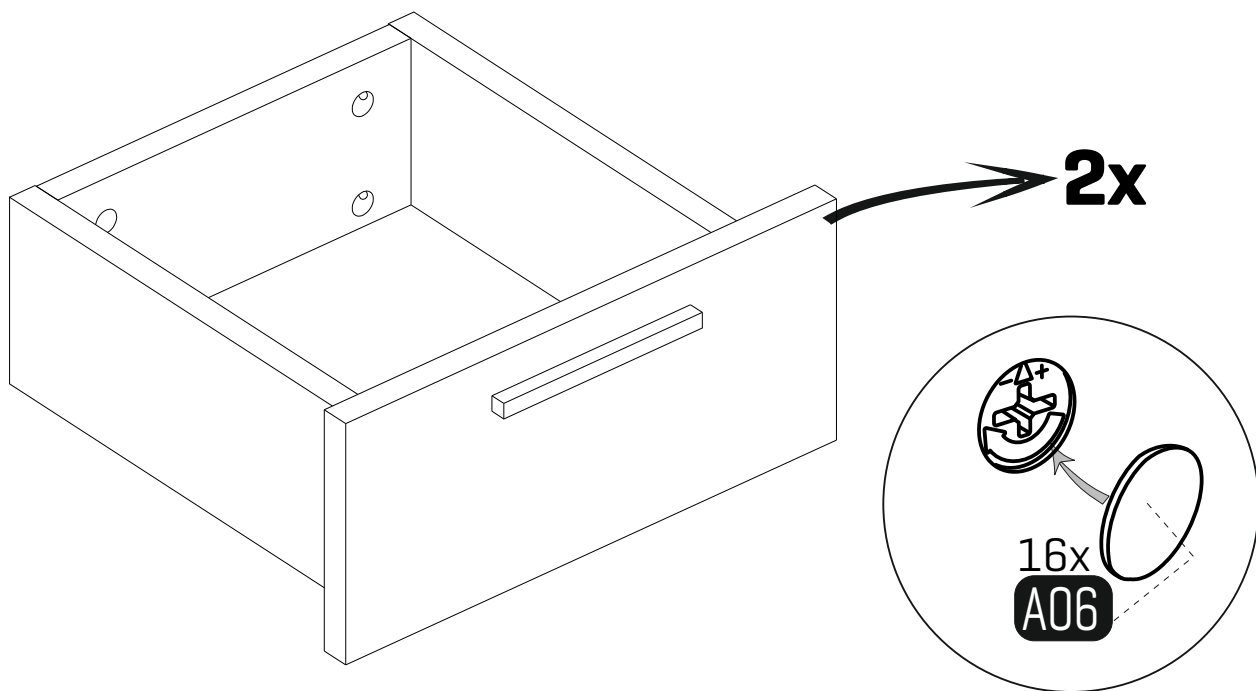
19



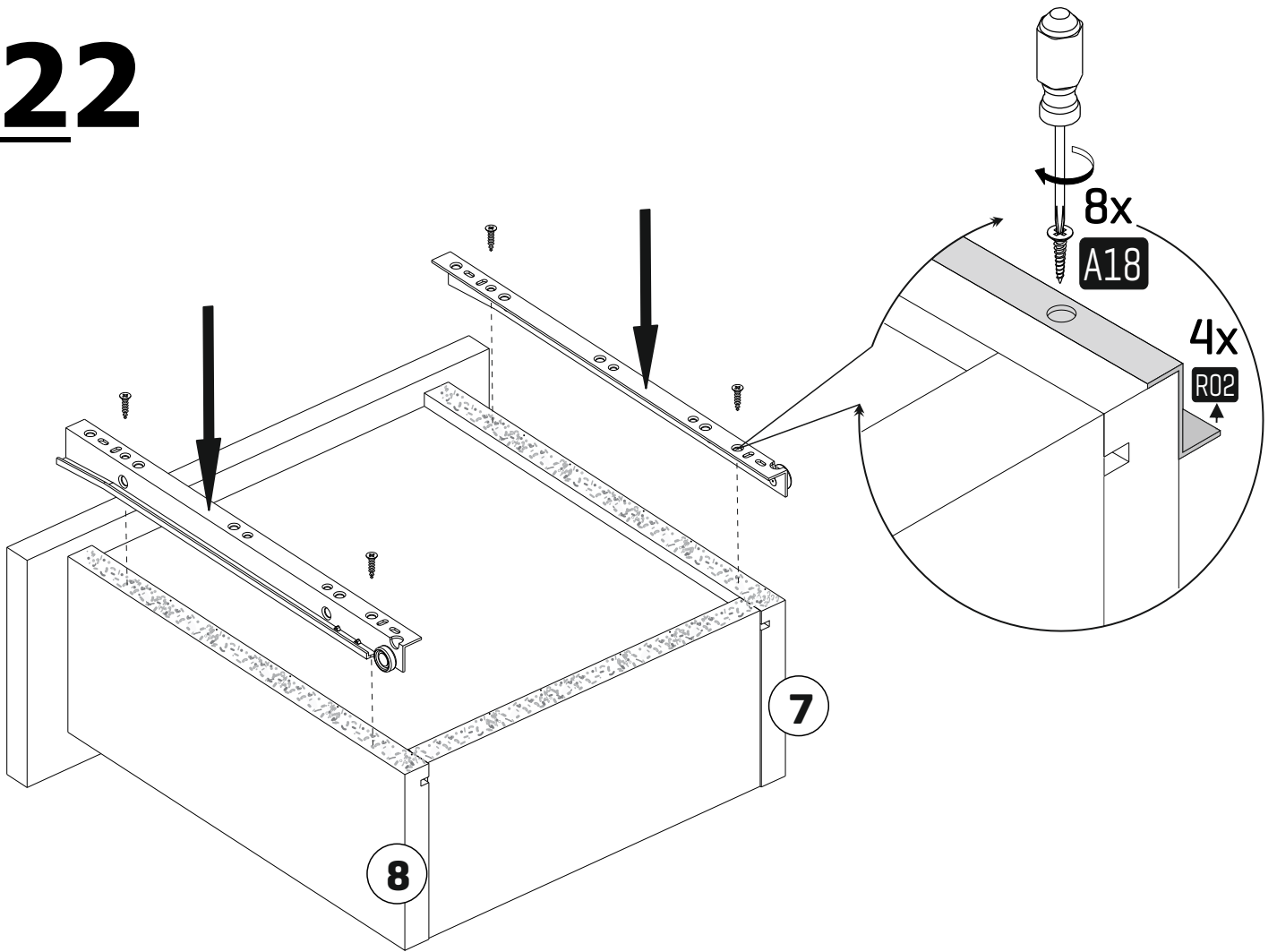
20



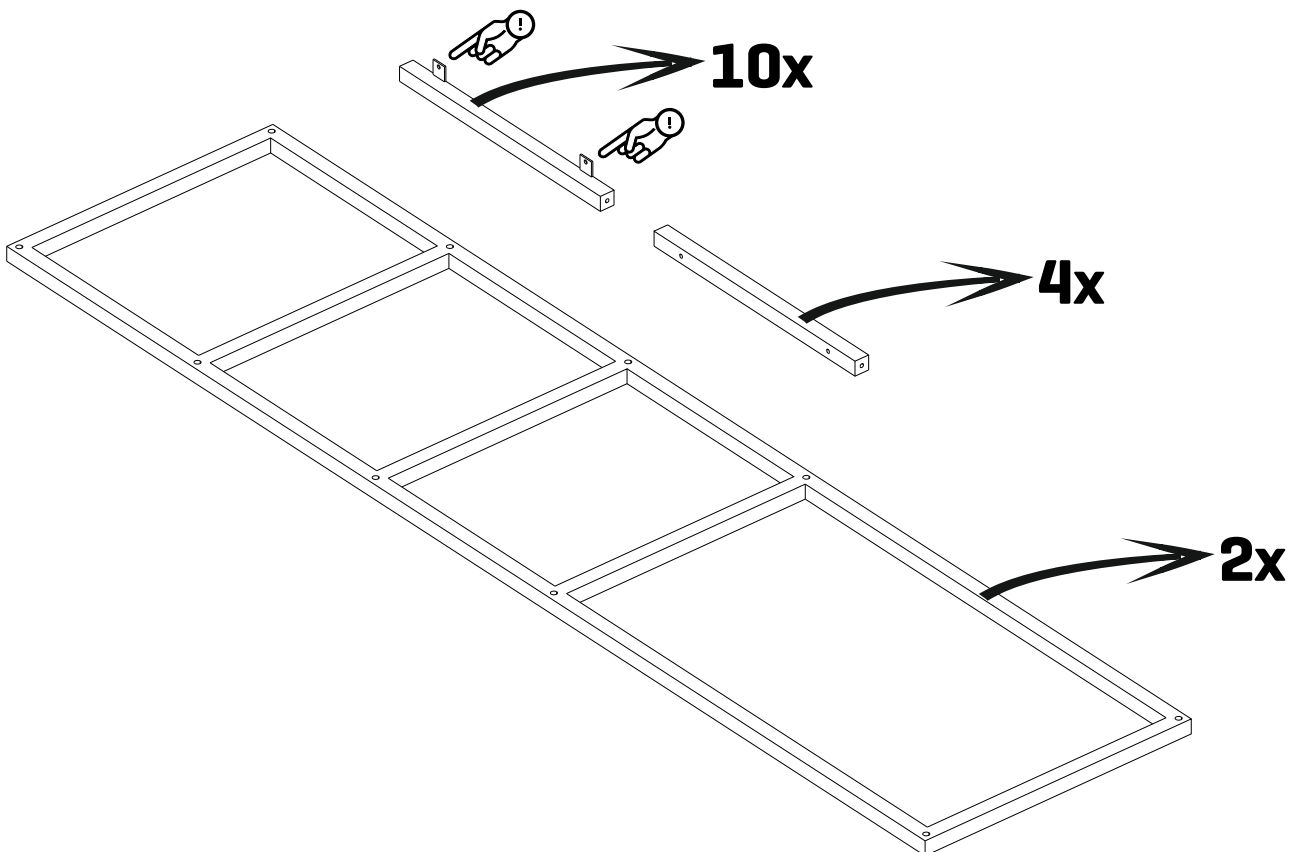
21



22

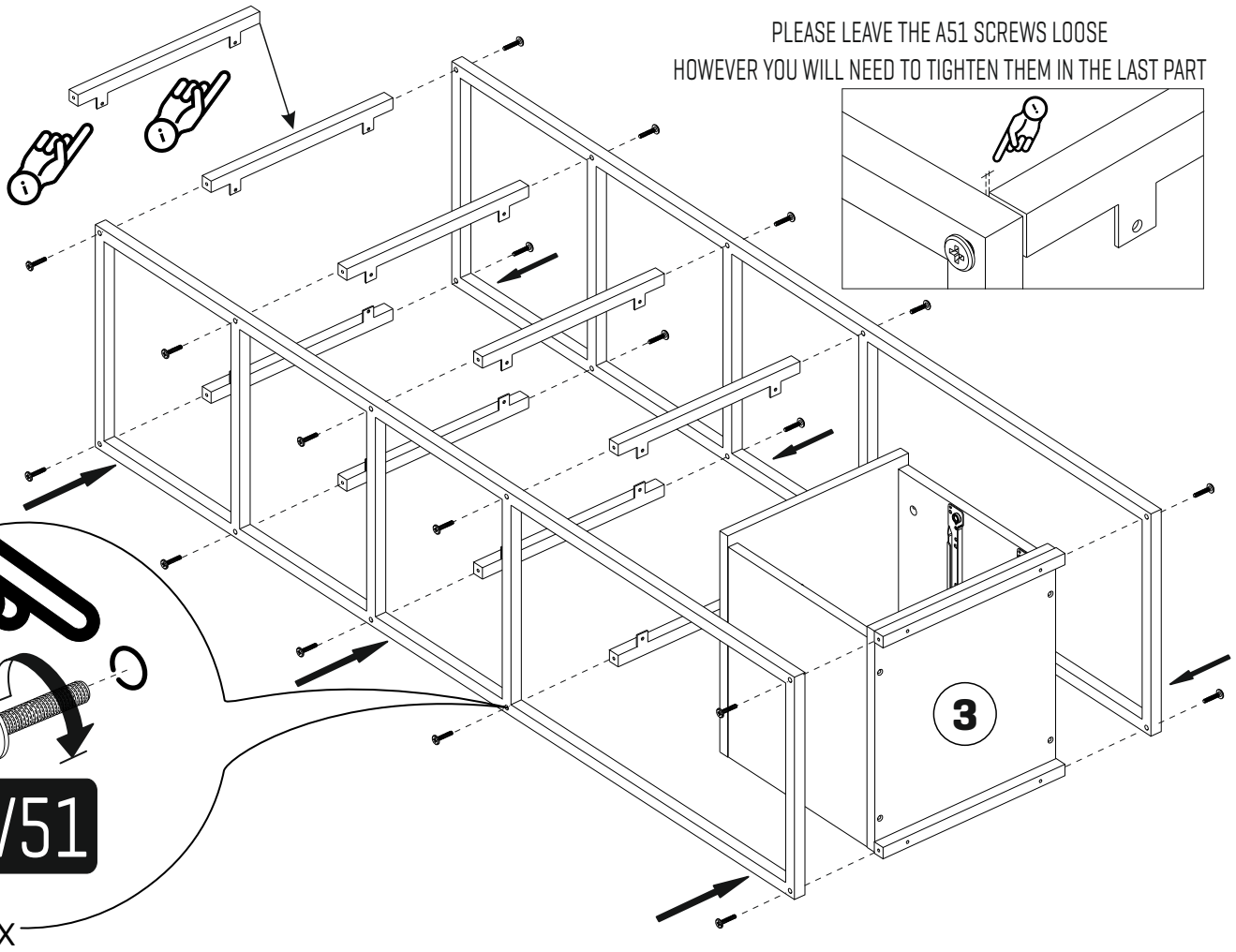


23

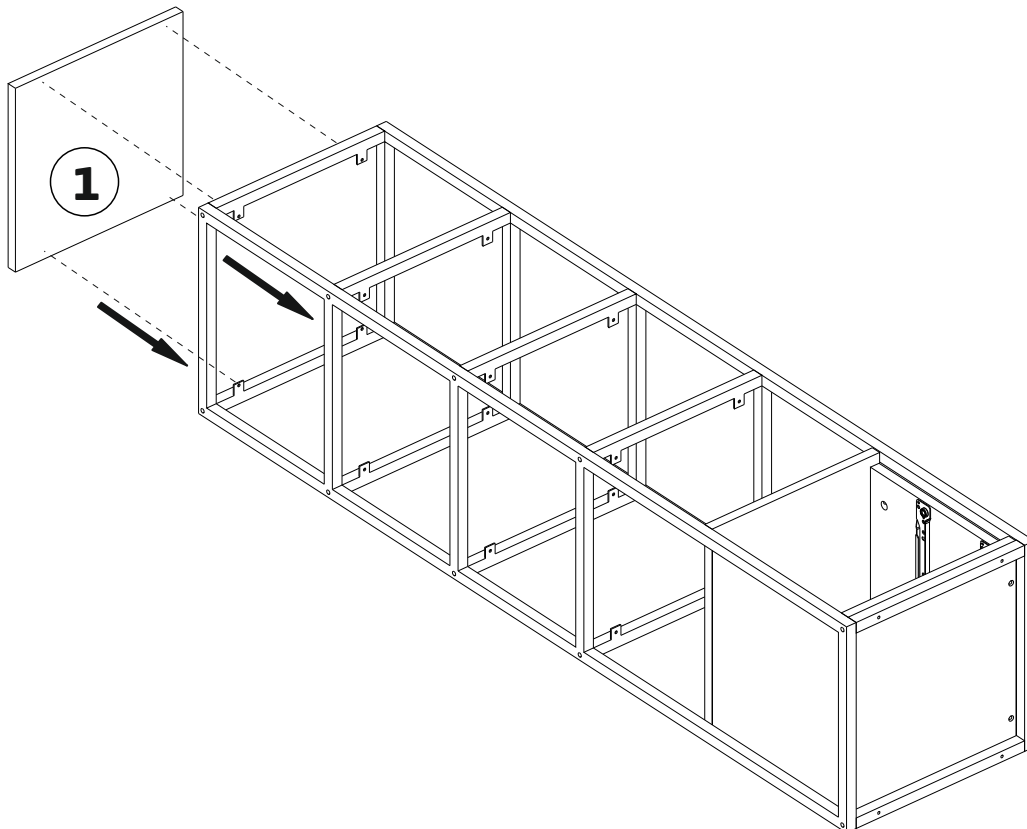


24

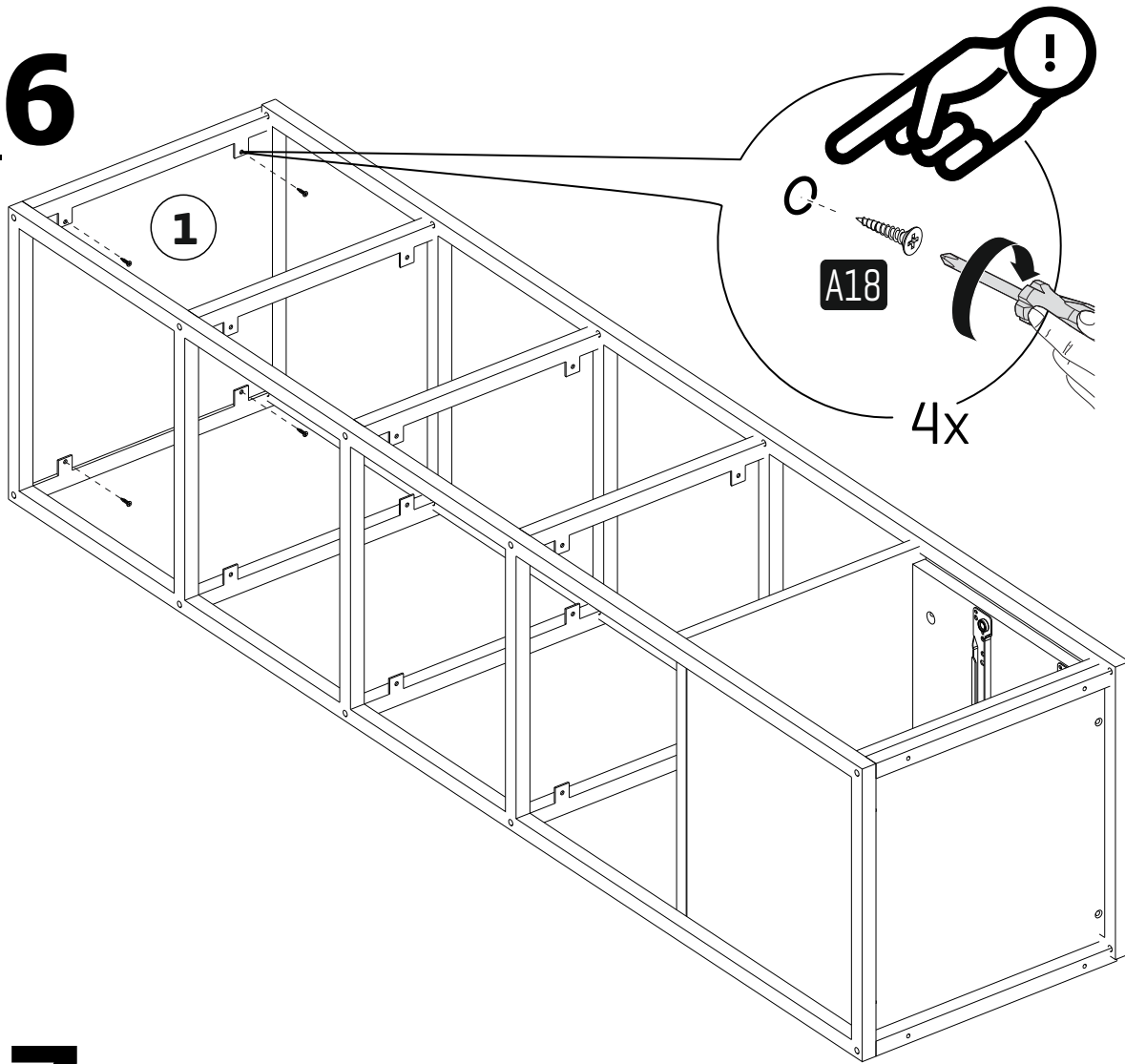
PLEASE LEAVE THE A51 SCREWS LOOSE
HOWEVER YOU WILL NEED TO TIGHTEN THEM IN THE LAST PART



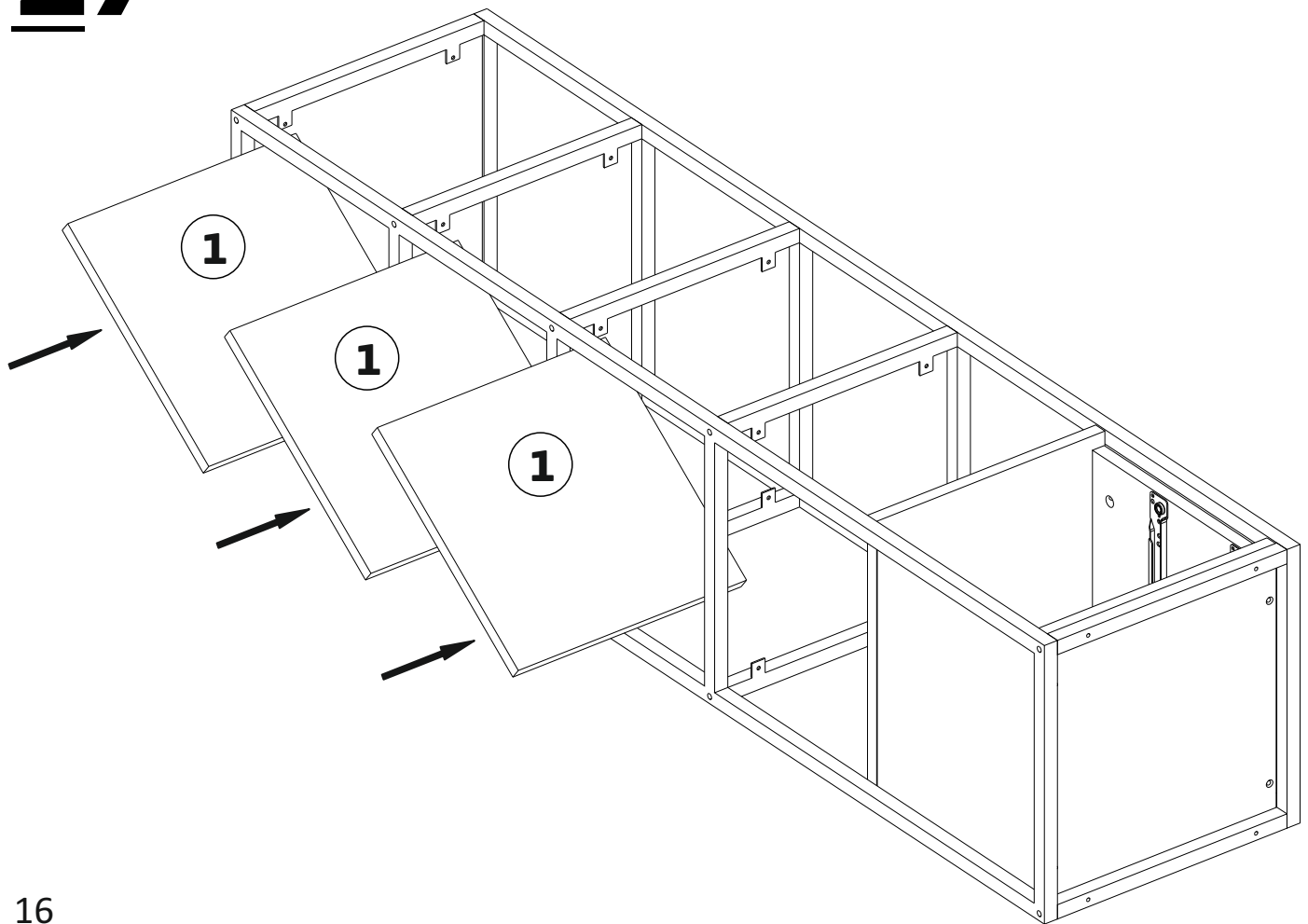
25



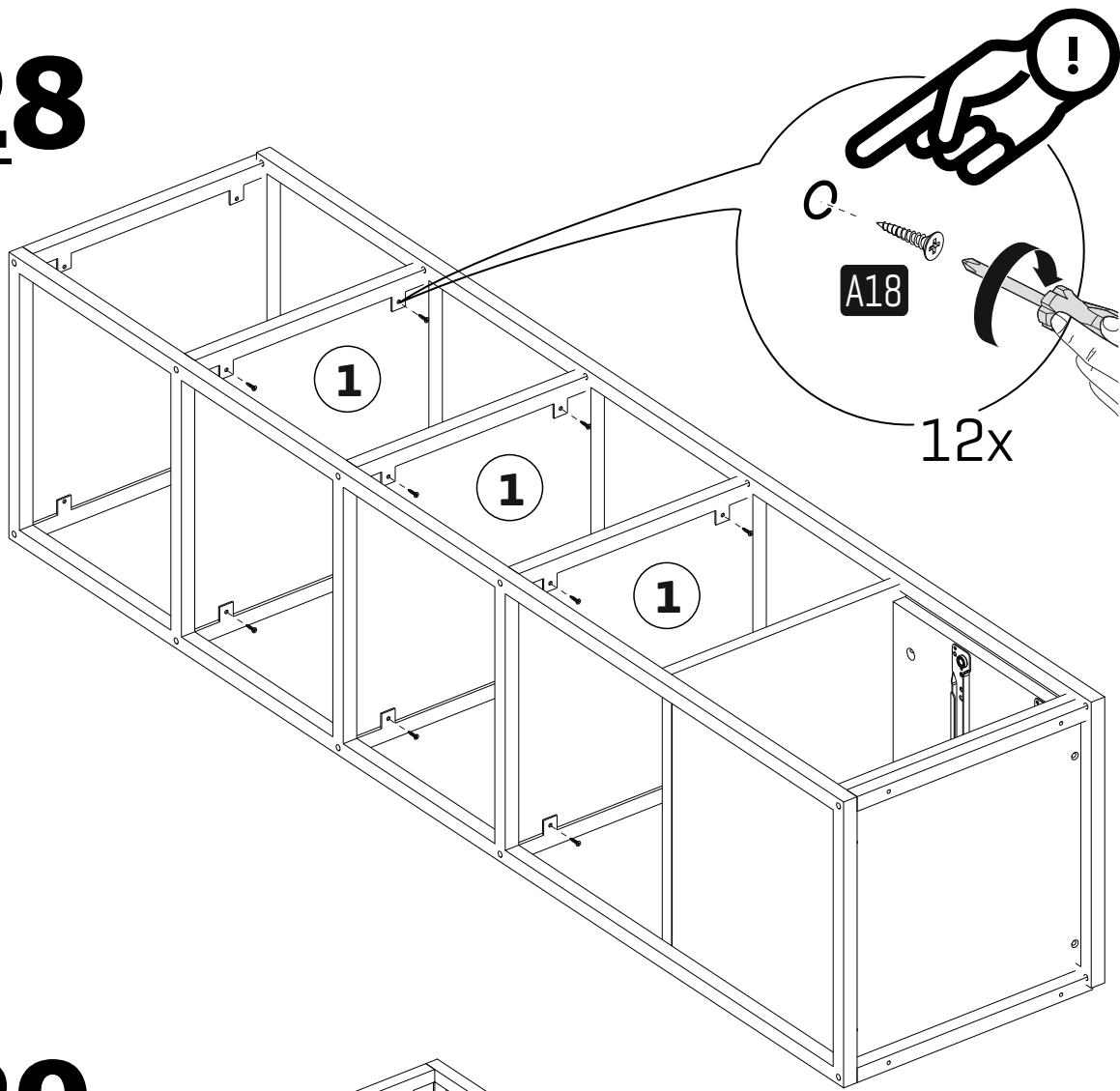
26



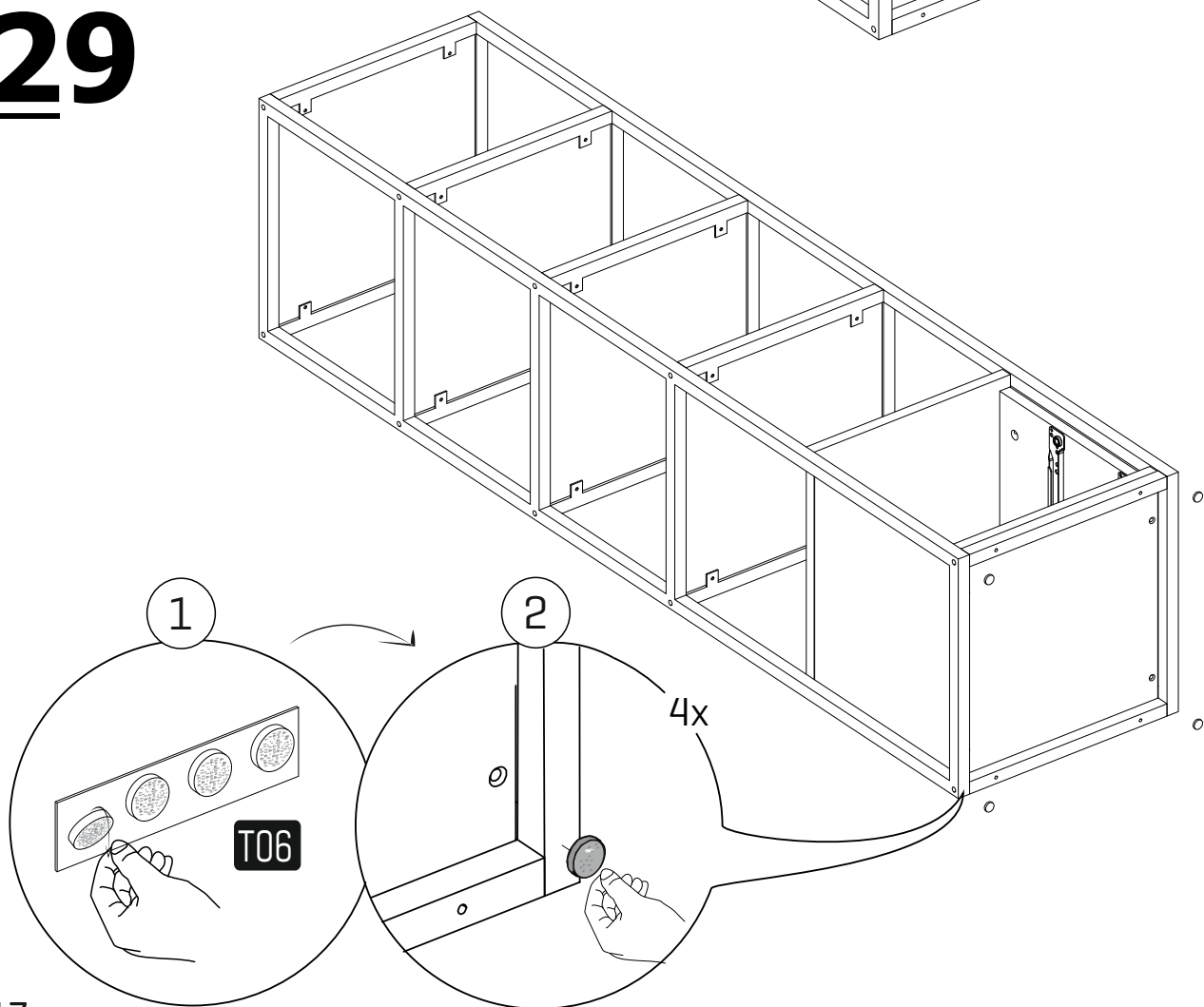
27



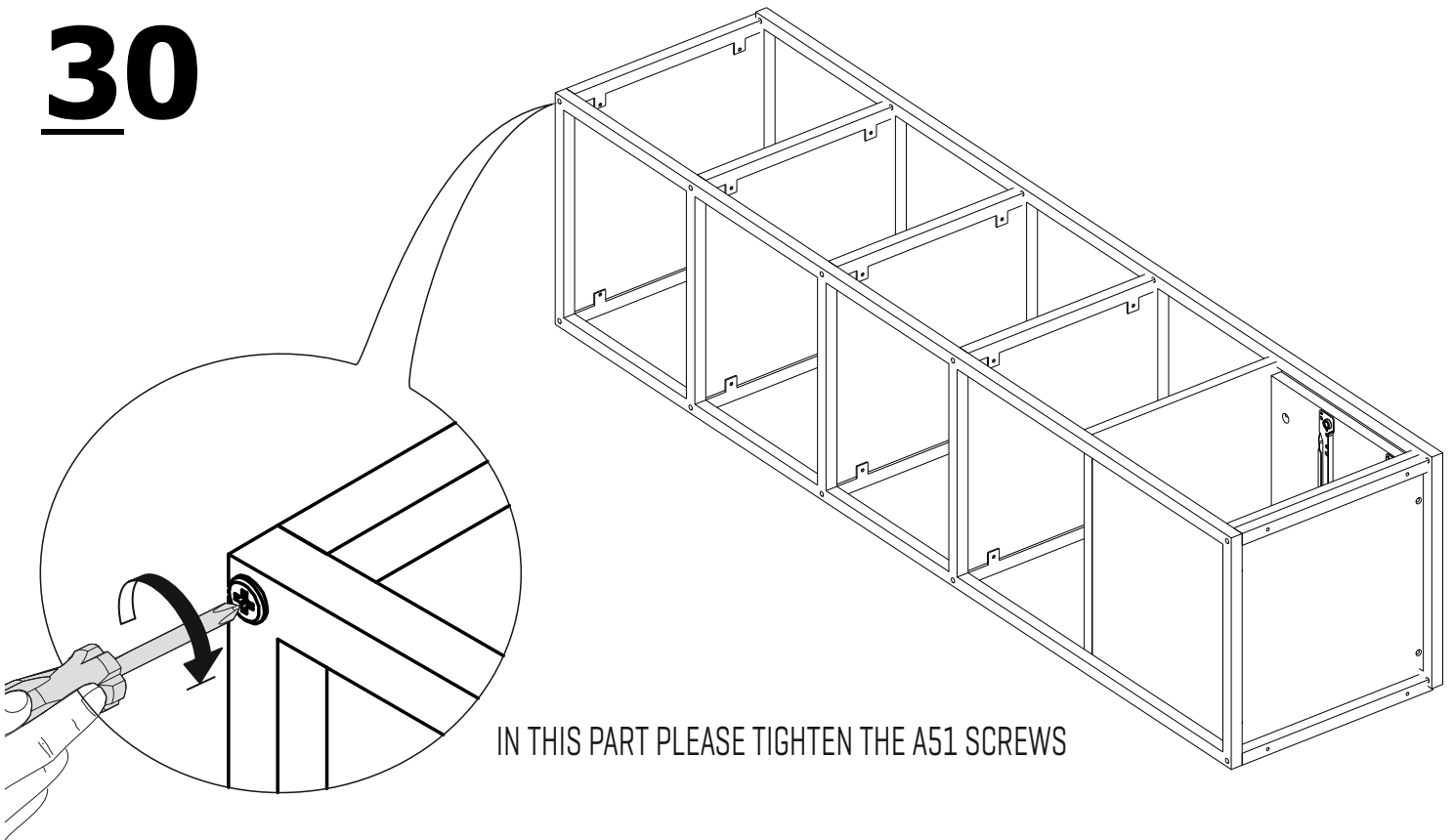
28



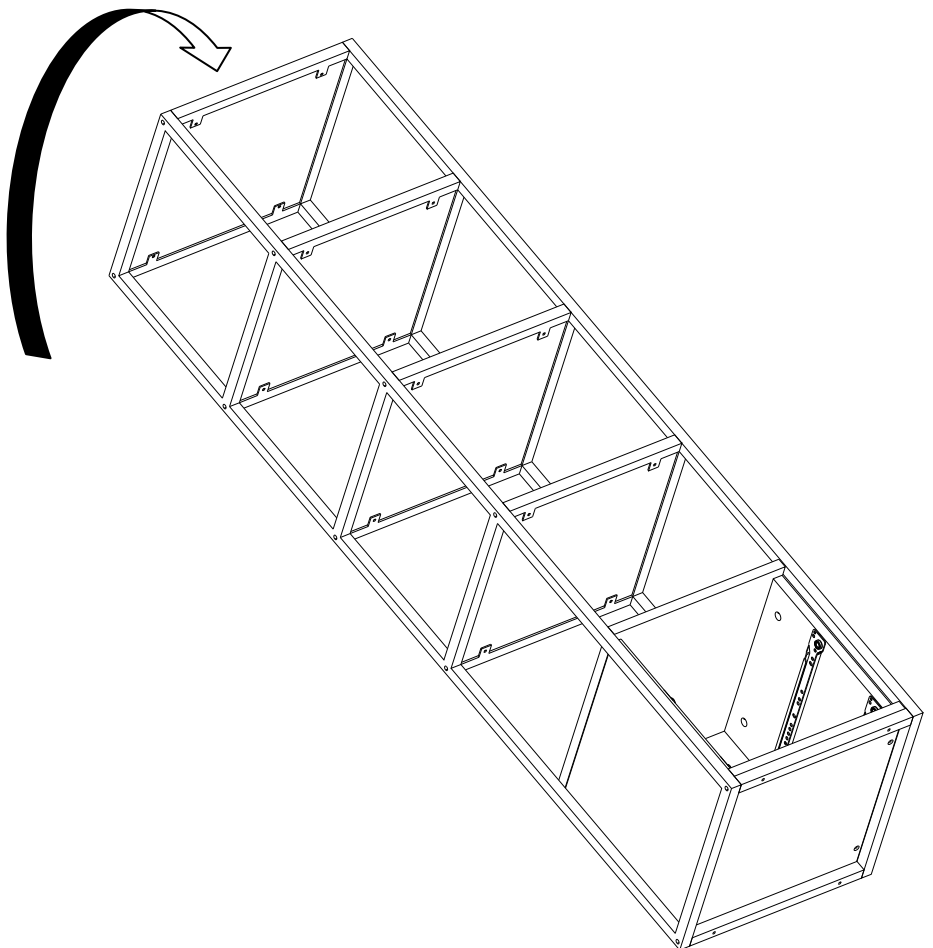
29



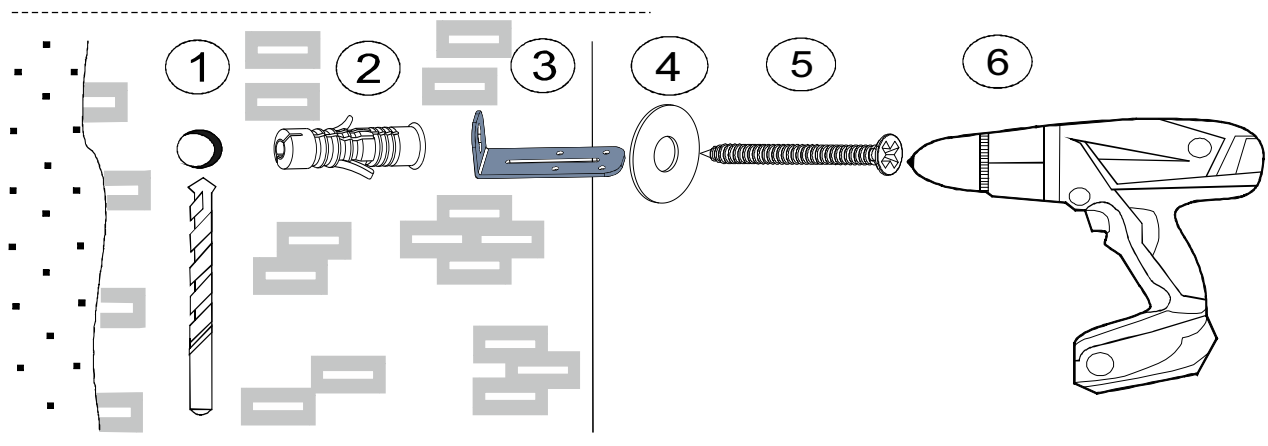
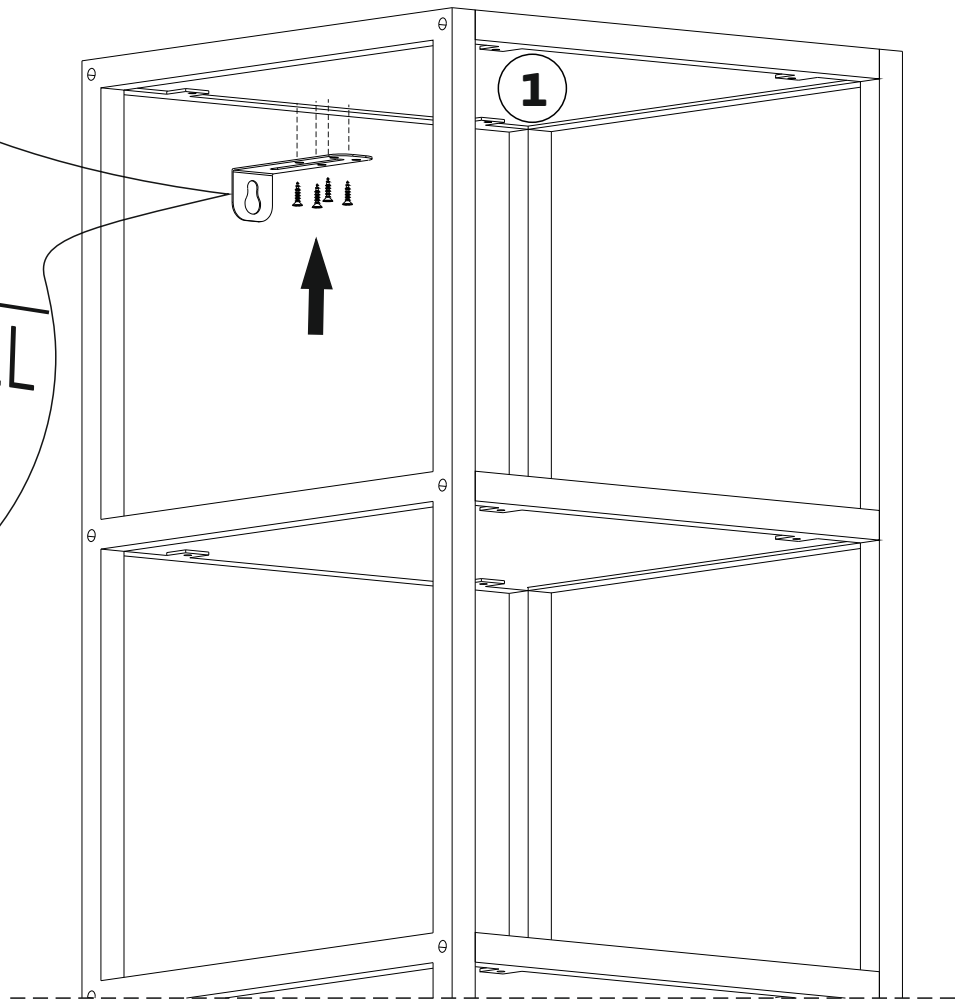
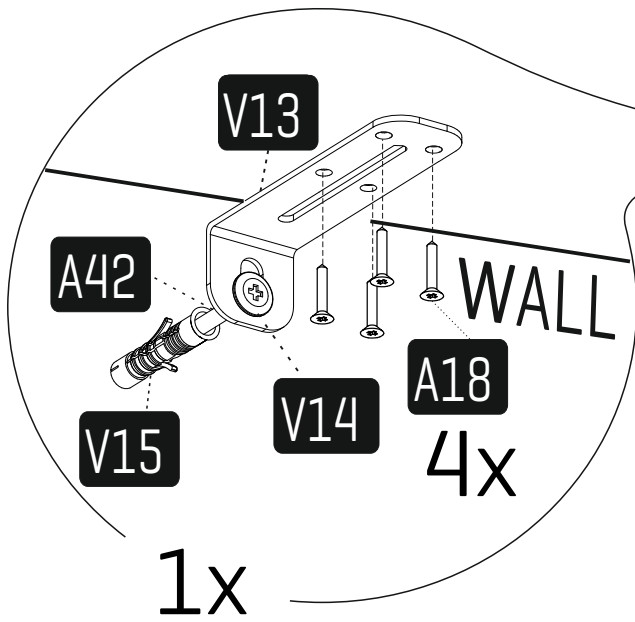
30



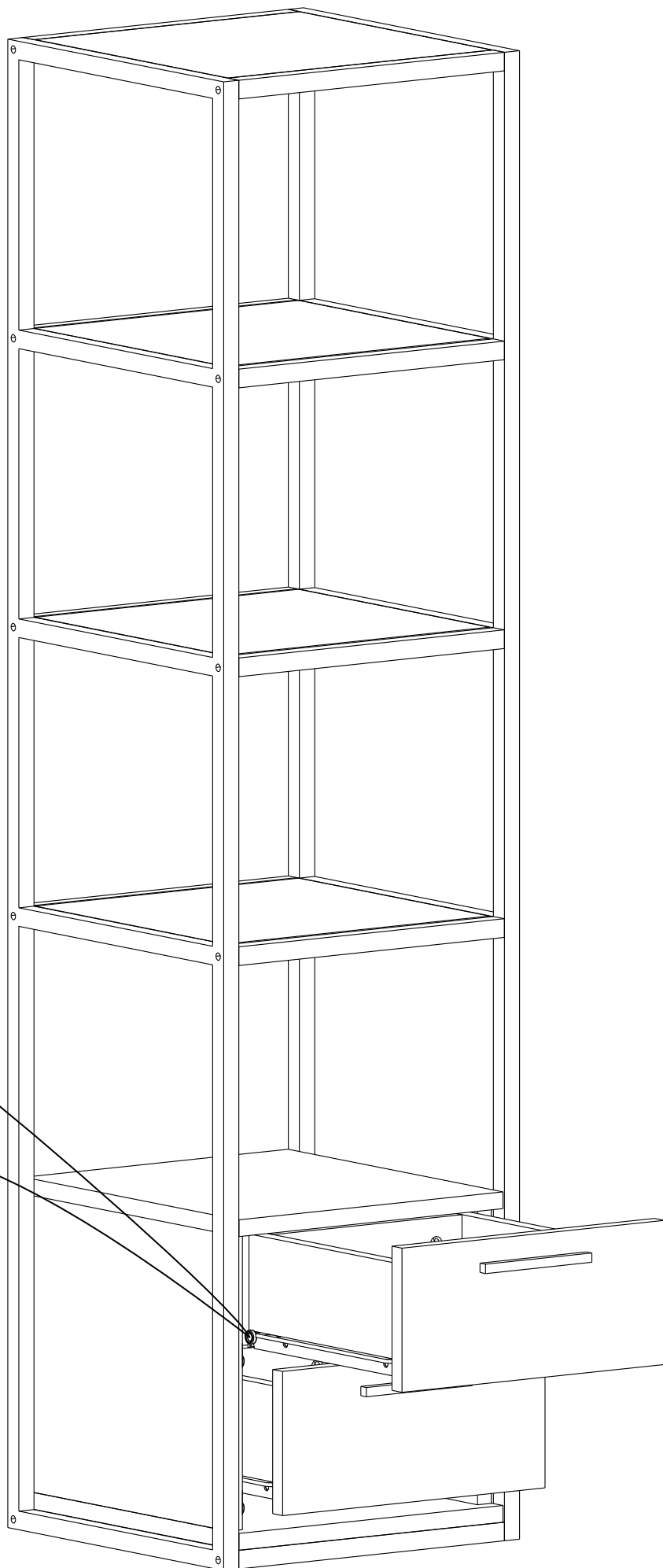
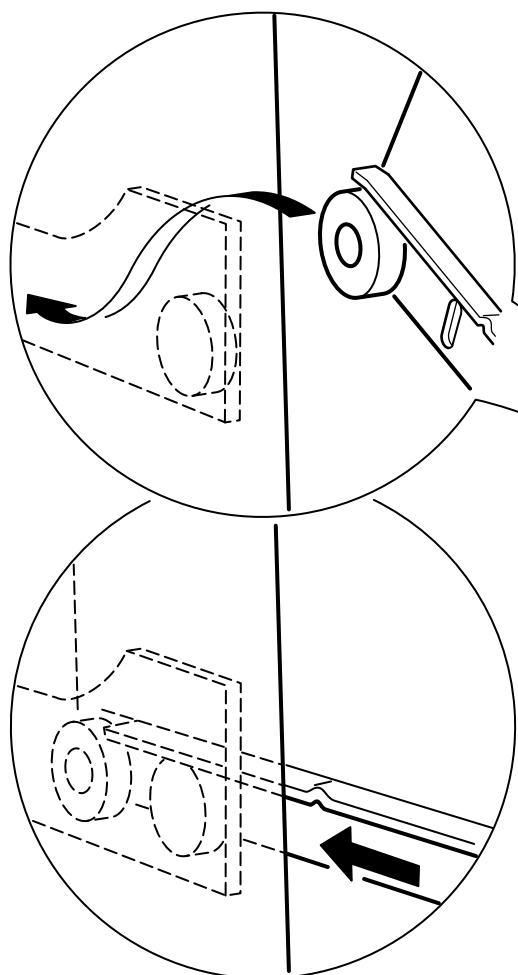
31



32



Check the wall type before installation of dowel. Wall is drilled with equal diameter of dowel. [08mm] Universal Plastic Dowel provides the general purpose usage. Requires two stages assembly. Dowel can be different type according to the wall type. [E.g. Plaster sheet partition wall, gas concrete, hollow brick wall]. If required, use appropriate dowels and screws.





WARNING

CHOKING HAZARD

- This unit contains small parts which could be a choking hazard for small children. Children should be under adult supervision at all times.
- Do not overload the unit. Each shelf has a recommended capacity of 13 pounds, and the total weight on the unit should not exceed 39 pounds for wall shelves.
- Do not climb, step, or stand on the unit.
- Do not mount or attach items to the front, rear, or sides of the unit. This can cause the unit to become unbalanced and fall.
- Do not stack units.
- All units must be secured individually to wall studs using hardware provided. If wall studs are not accessible, consult your local hardware store for appropriate mounting hardware.
- We recommend you hand-tighten screws. Use care not to overtighten if using power tools. Follow proper safety procedures if using power tools and/or ladders.
- We recommend you protect your work surface during assembly to prevent scratching or damage to tabletops, wood floors, etc.
- Failure to follow the instructions listed here could result in bodily injury or damage to personal belongings. Use caution and follow safety procedures.