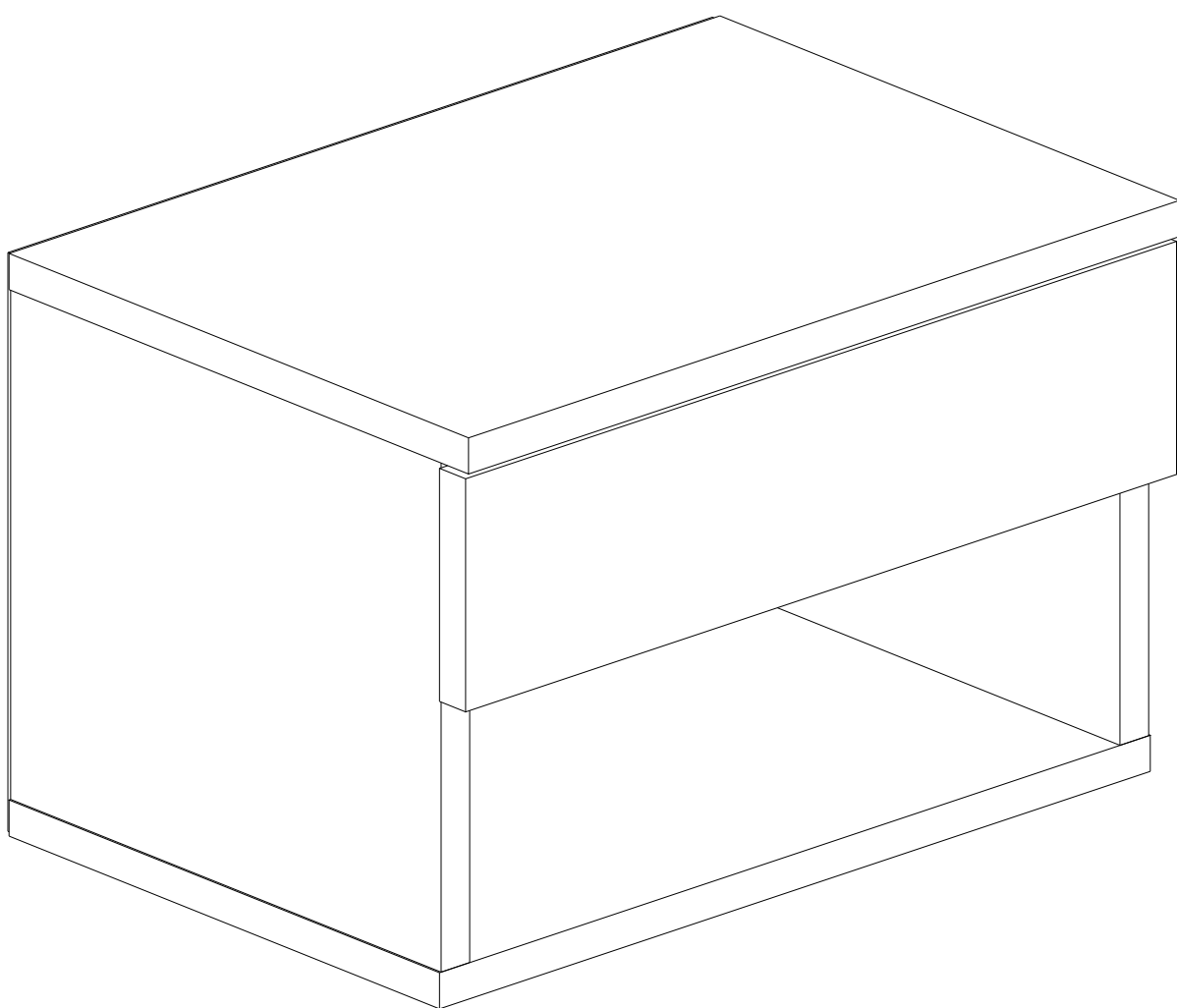


JAMOT FLOATING NIGHTSTAND



Dear Customer,

We design and produce our products for people to love and have fun with them as we do.

The product you bought was subjected to all sorts of tests and control before sending out to you.



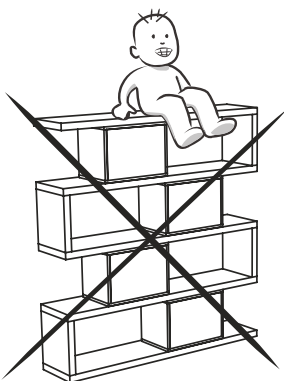
Before assembling, please check the whole components and accessories according to the lists. If you bought more than one product, to prevent confusion be sure that you completed the first product. Then start the other product's assembling.



Before assembling, please clean all the components with a damp cloth. Also for usual cleaning, this will be enough.



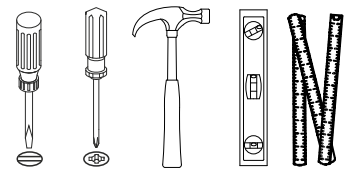
Although all the products are produced and packed carefully, sometimes some components can become damaged during the transportation. In such a case please check the missing or damaged part and do not hesitate to contact us.

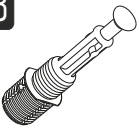


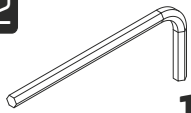

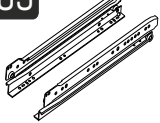
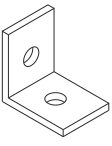
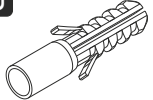

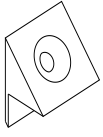
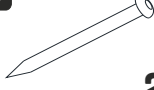



Do not use your furniture for the unintended purpose. If you would like to use it for other purposes, please contact us for further questions.

Do not directly contact your furniture with excessive heat, cold and humidity because the product can be affected..

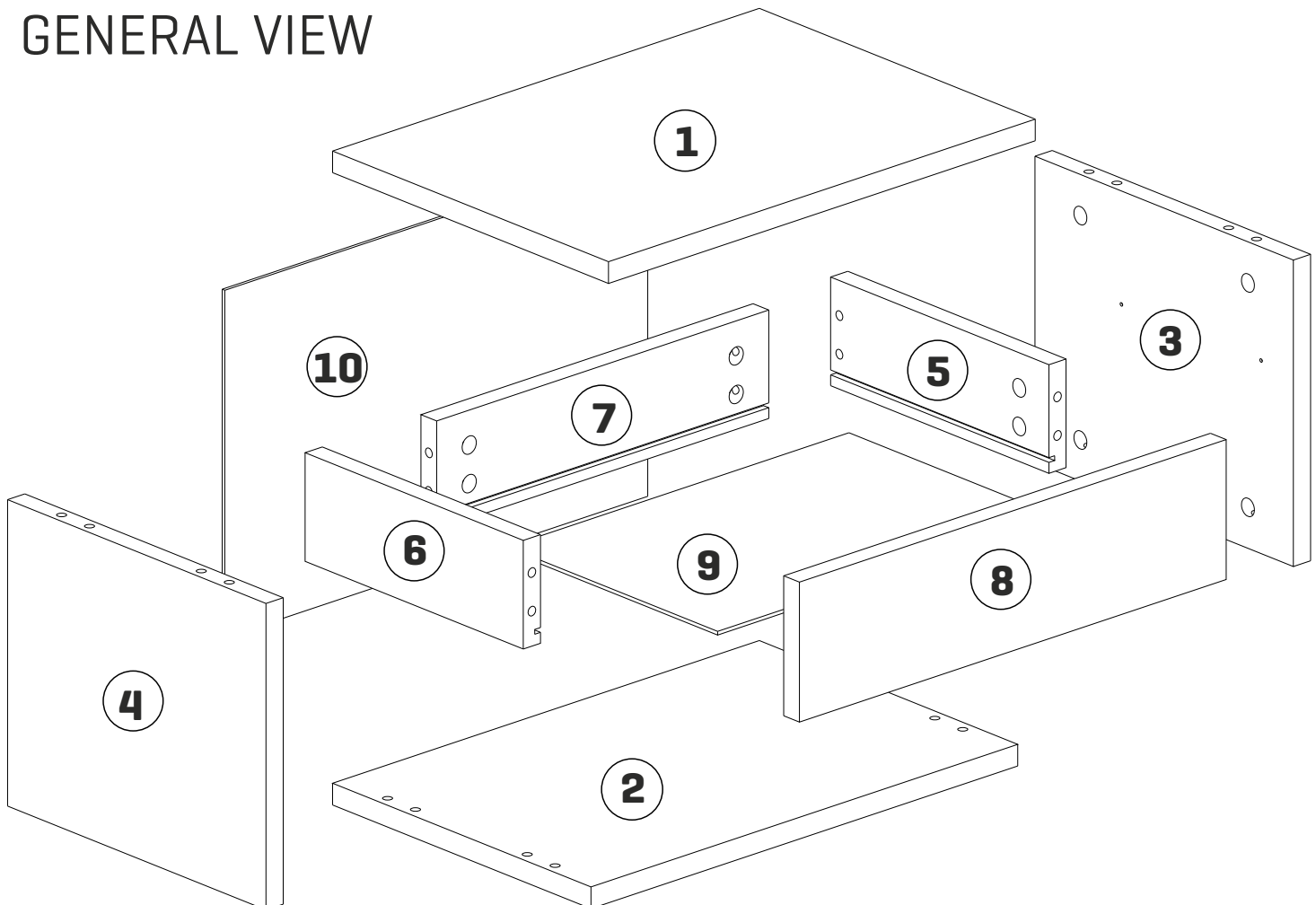
ACCESSORY LIST [18]

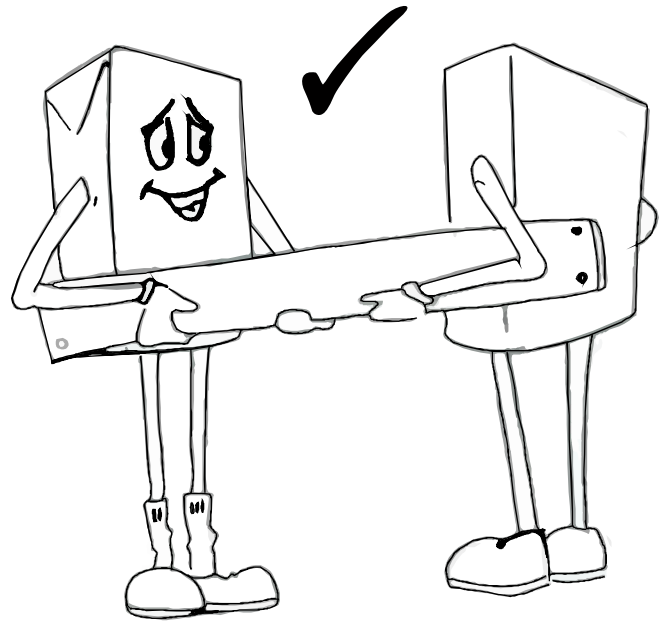
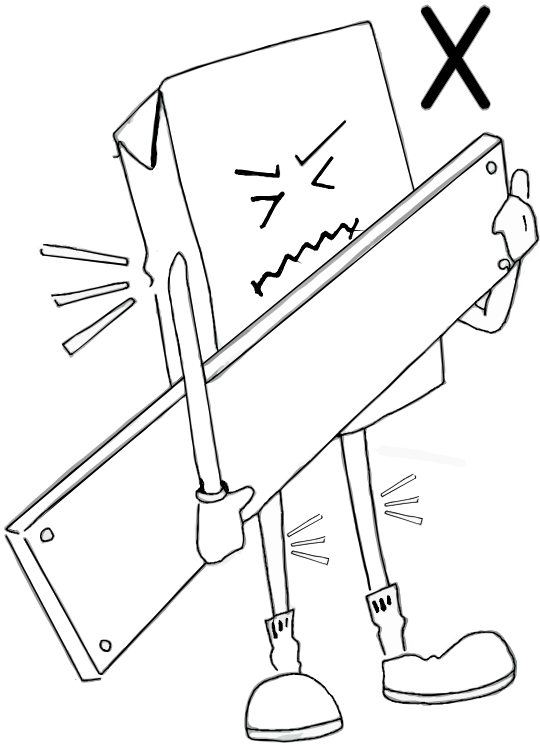


A23 Minifix M8  16x	A22 Minifix G18  16x	A04 KVLV  8x	A12 ALYN  4 SW 1x	A18 3,5x18  16x
R03 drwr rail 250  1x	A15 LA  RNK1 4x	A16 DBL  8mm 4x	A17 4x50  4x	A21 back pin  4x
A48 AC  25x1 20x	A06 18 mm  R1 16x			

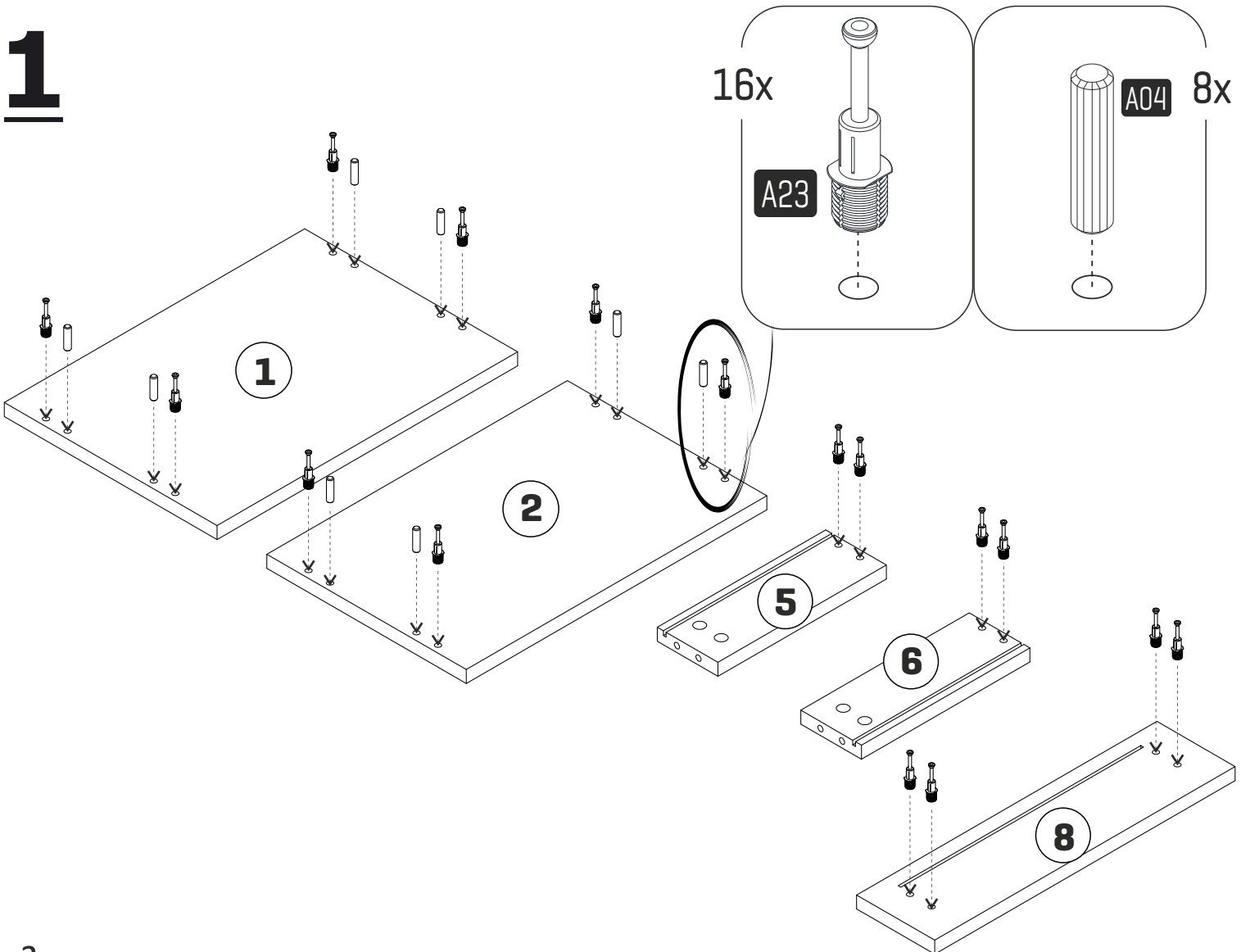
No	Quantity	Dimensions	
01	1	446	316
02	1	446	296
03	1	254	296
04	1	254	296
05	1	250	90
06	1	250	90
07	1	347	90
08	1	446	116
09	1	357	240
10	1	442	288

GENERAL VIEW



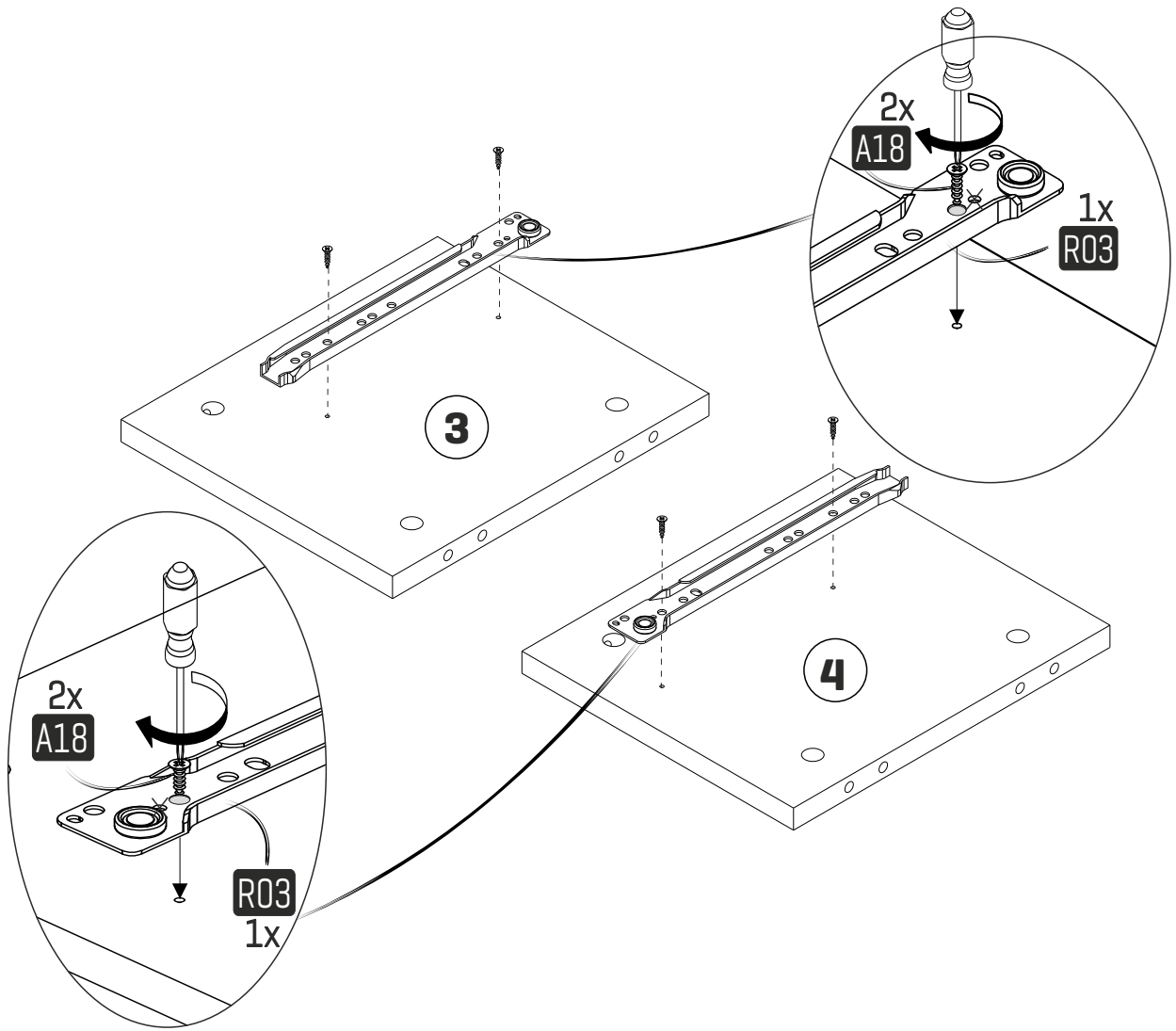


1

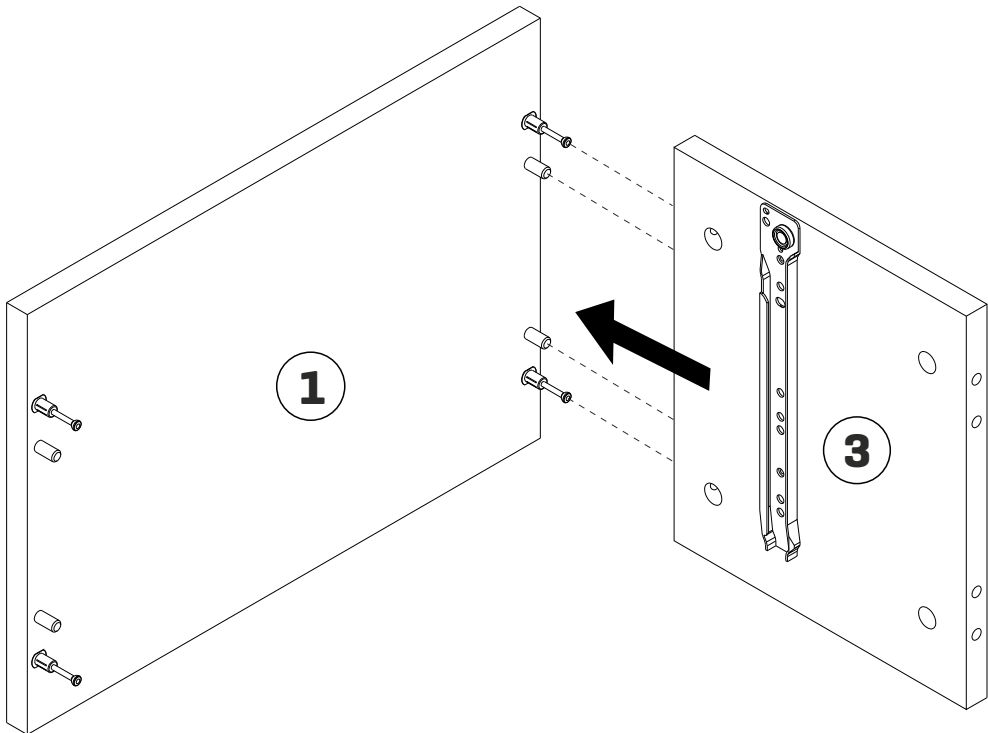


3

2

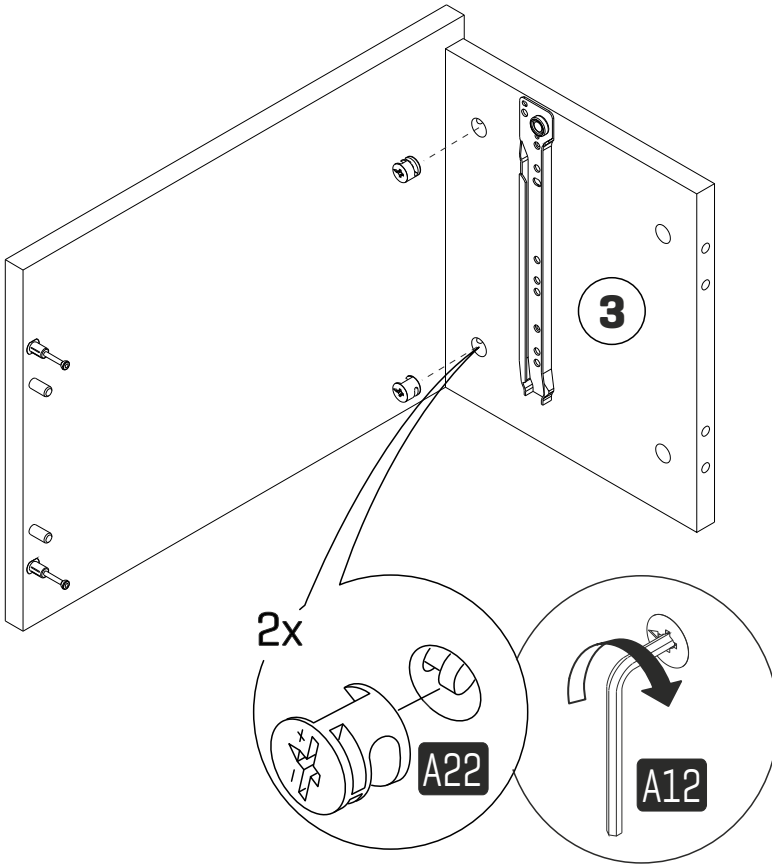


3

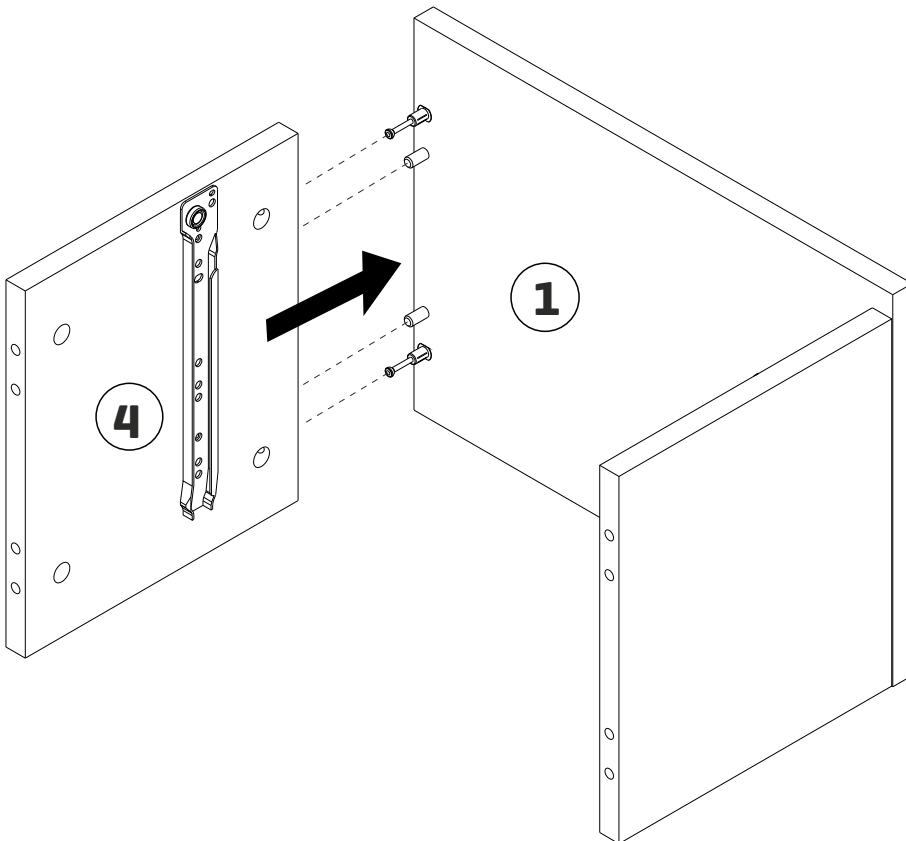


4

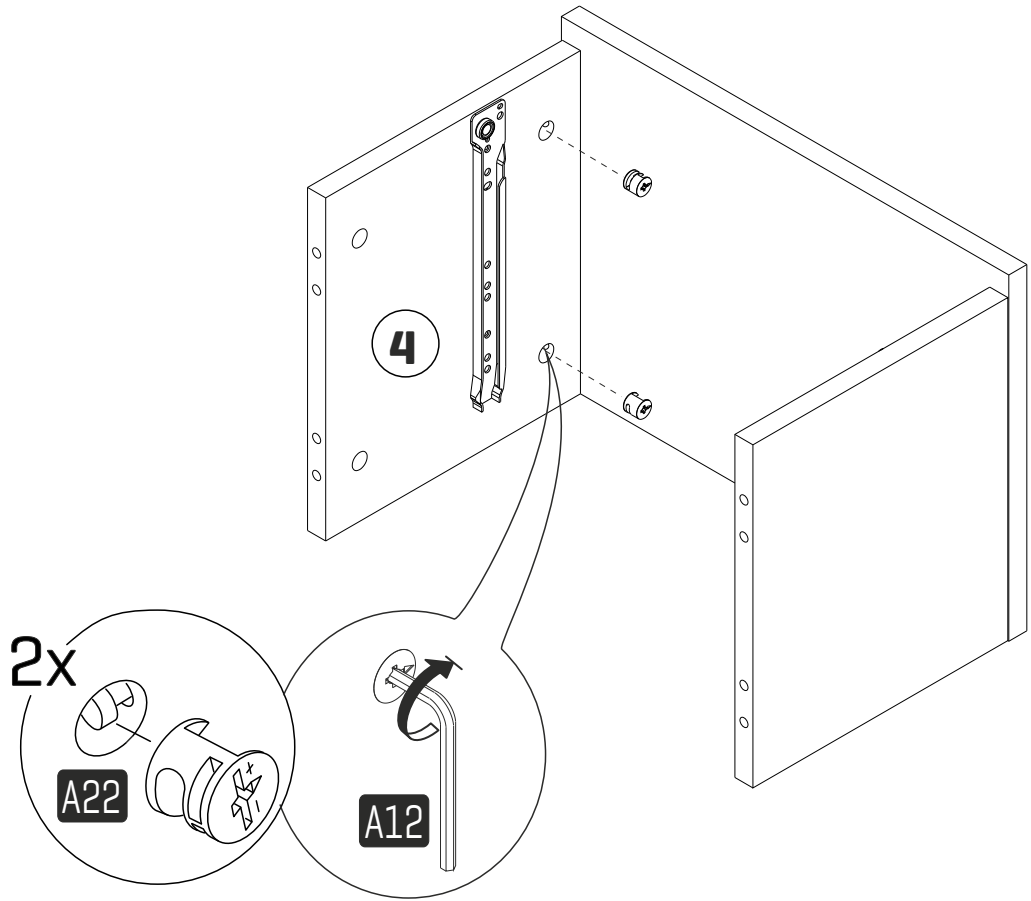
4



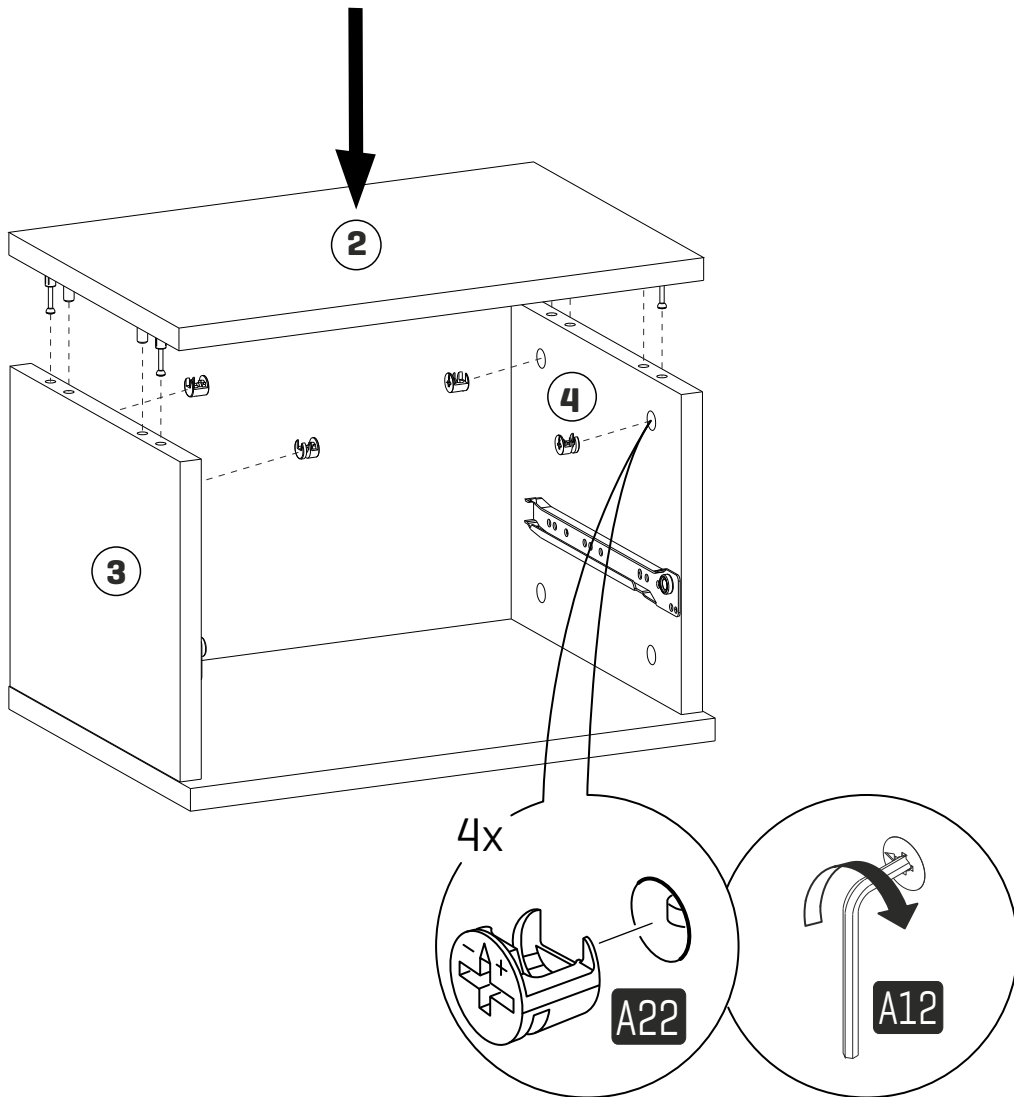
5



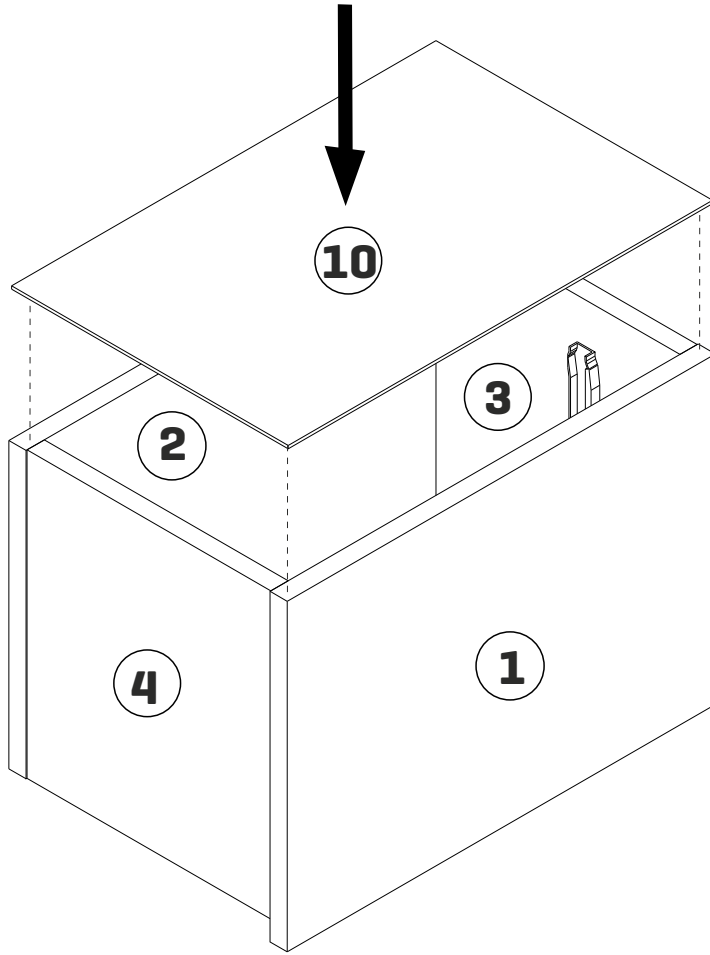
6



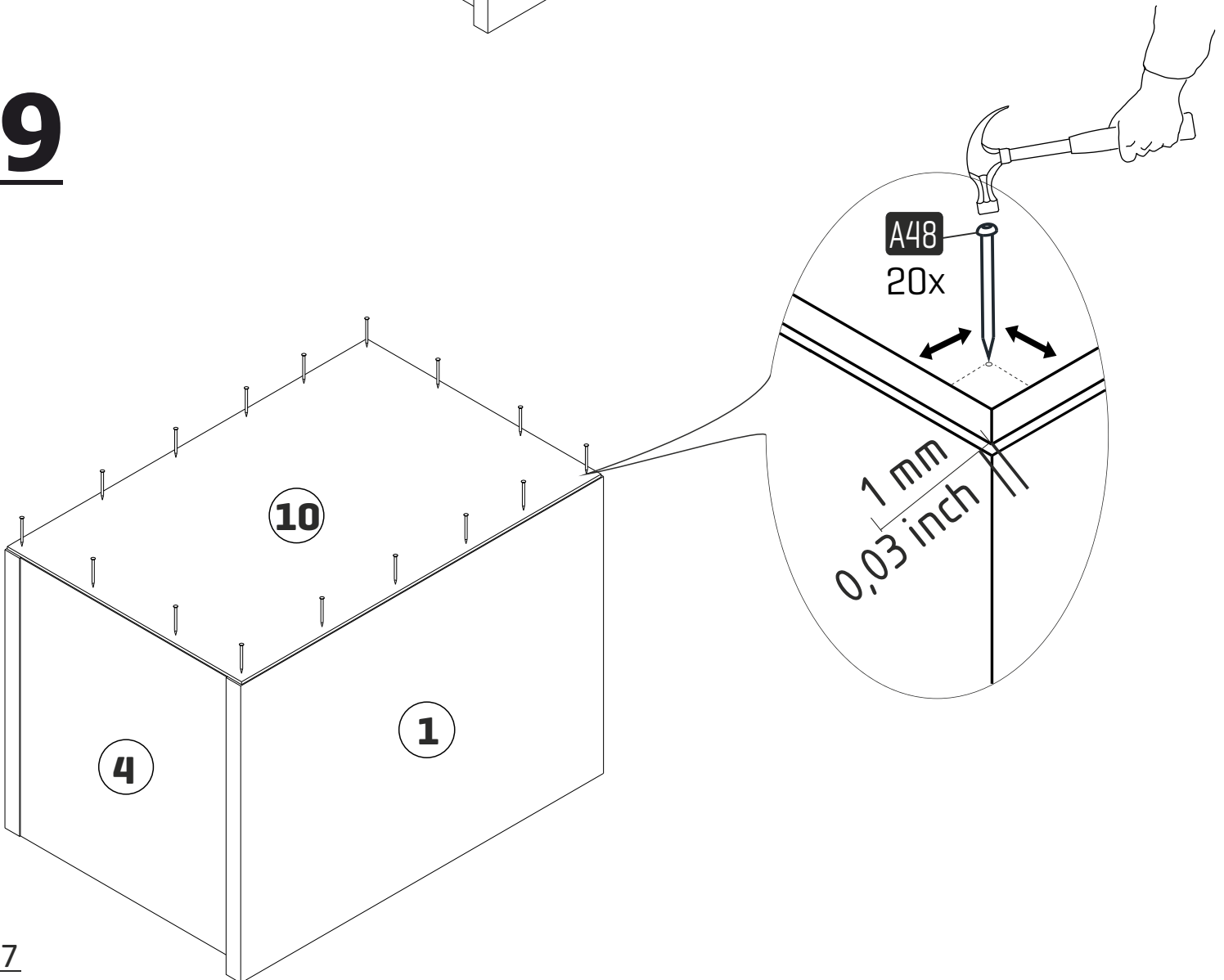
7



8

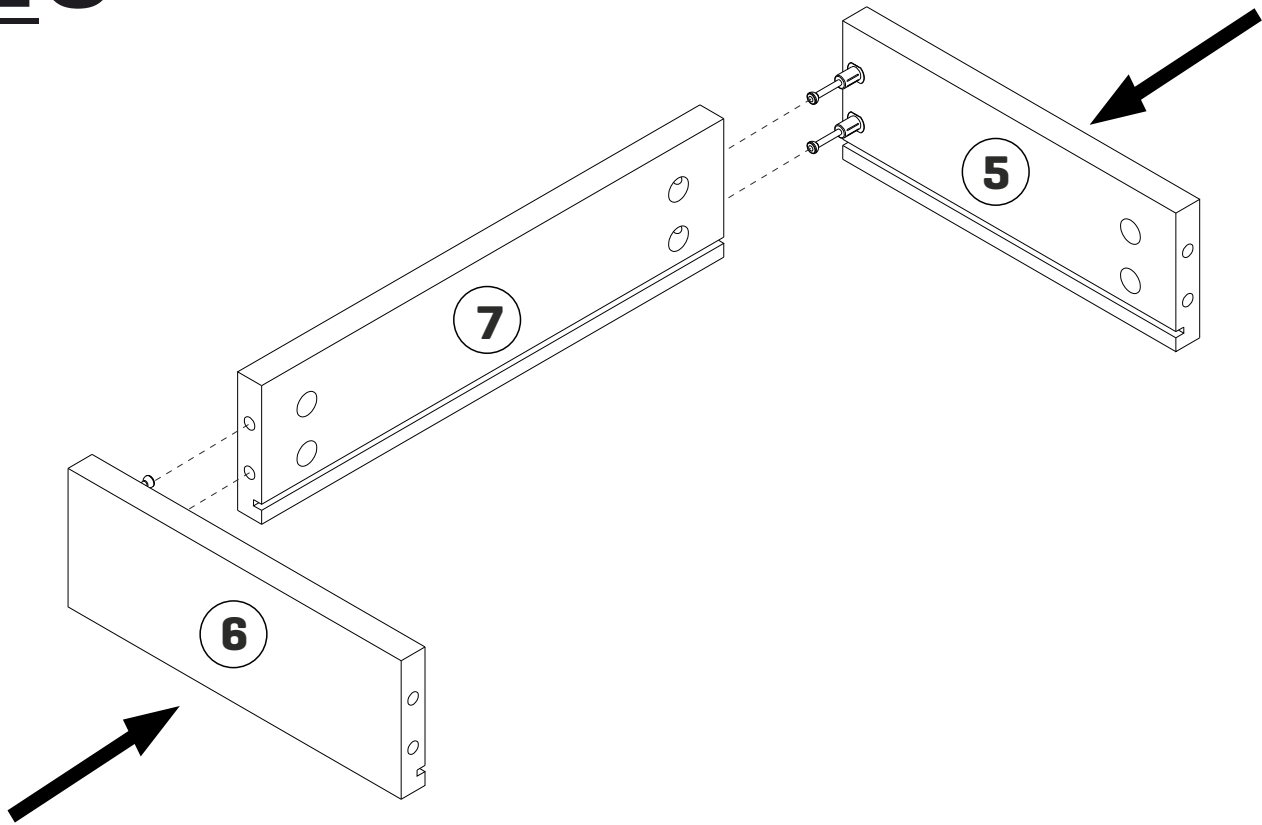


9

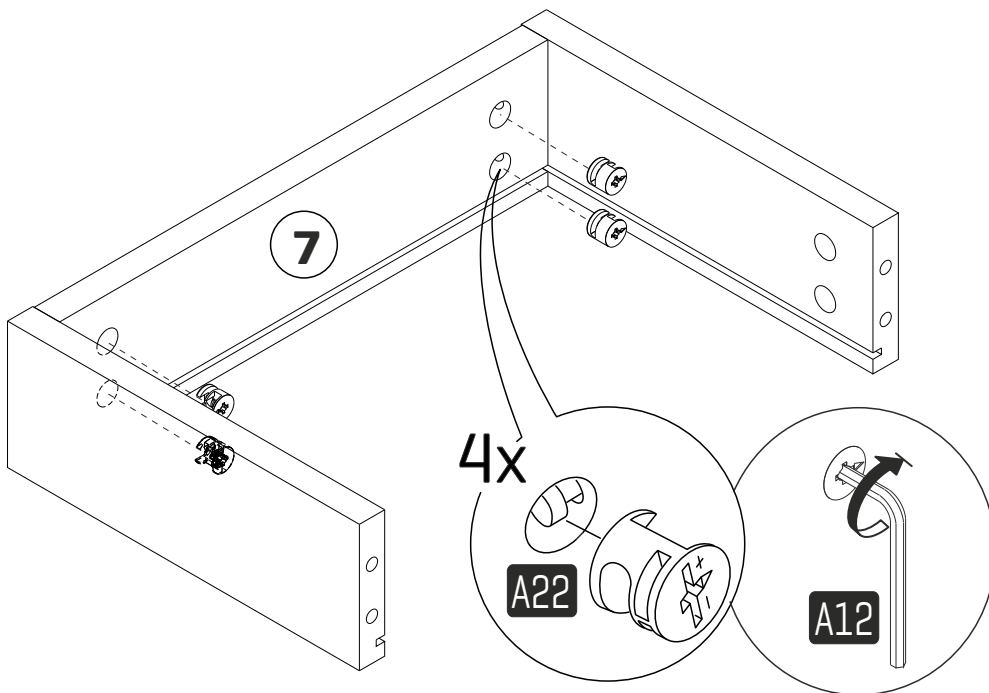


7

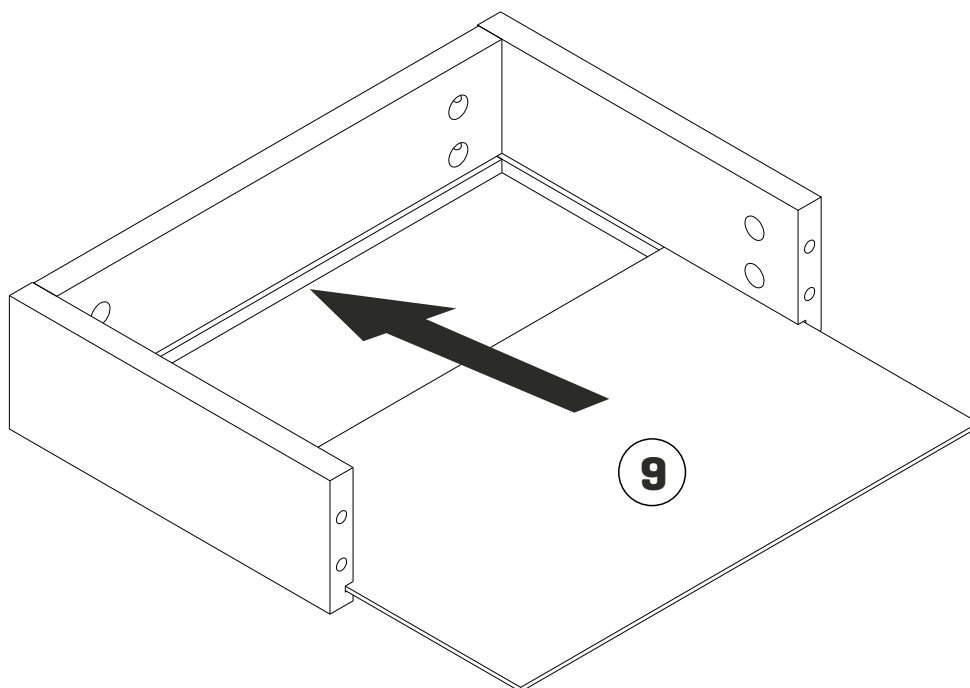
10



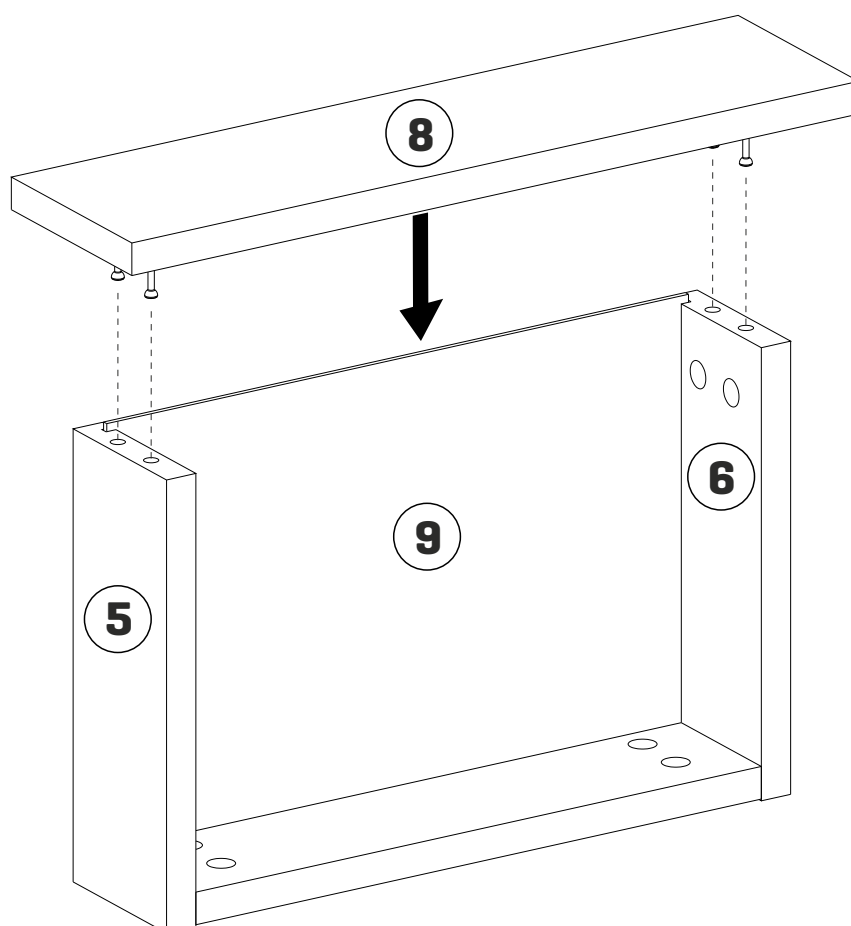
11



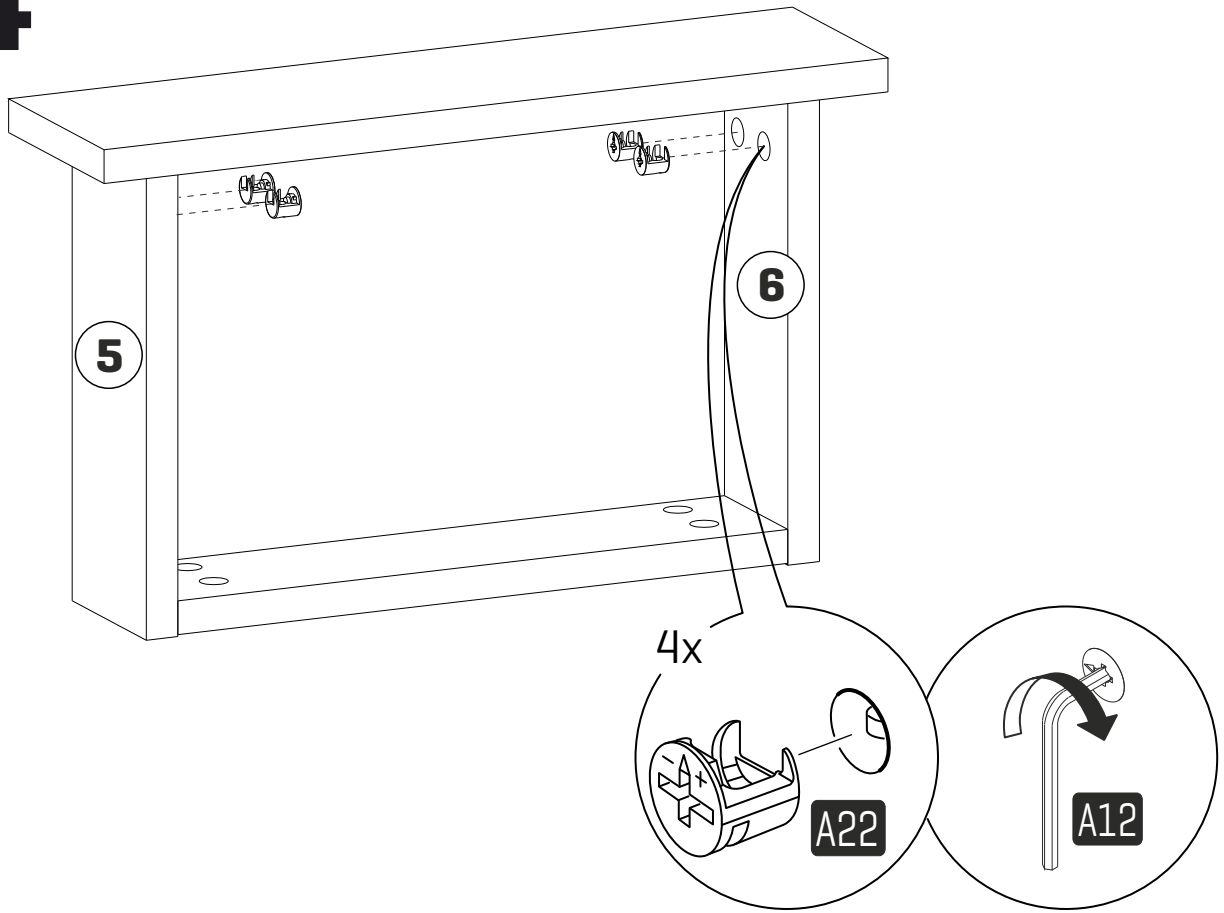
12



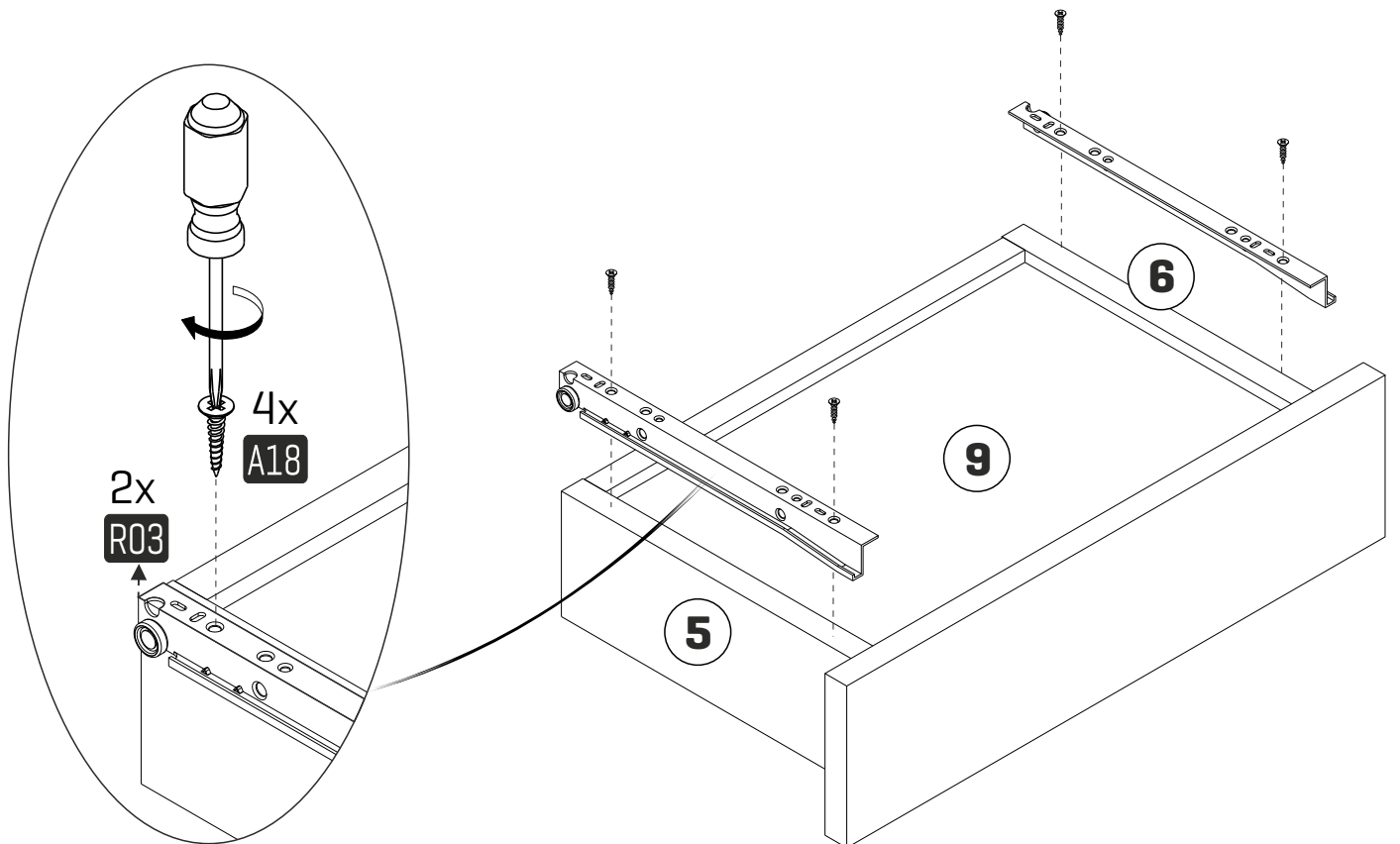
13



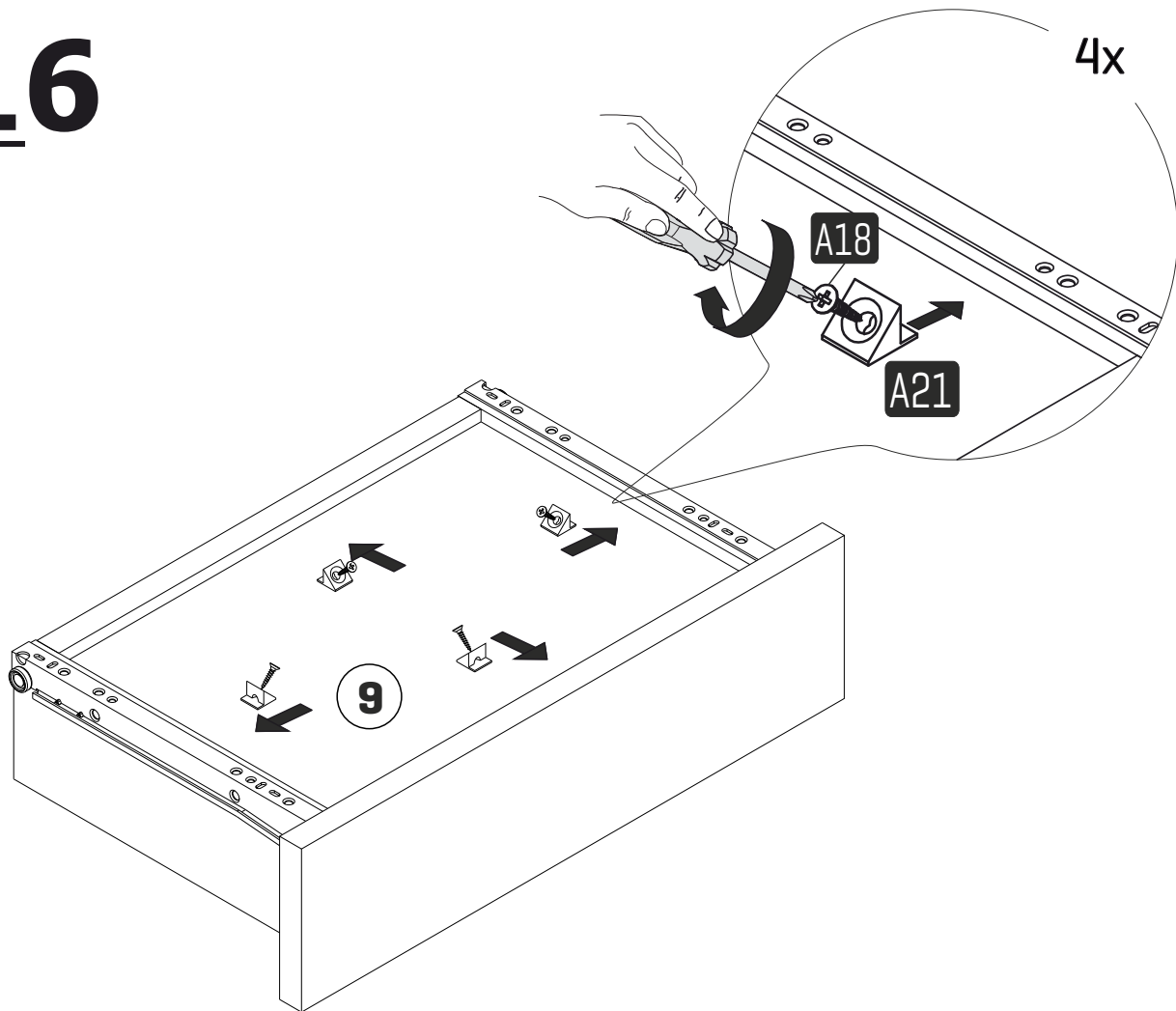
14



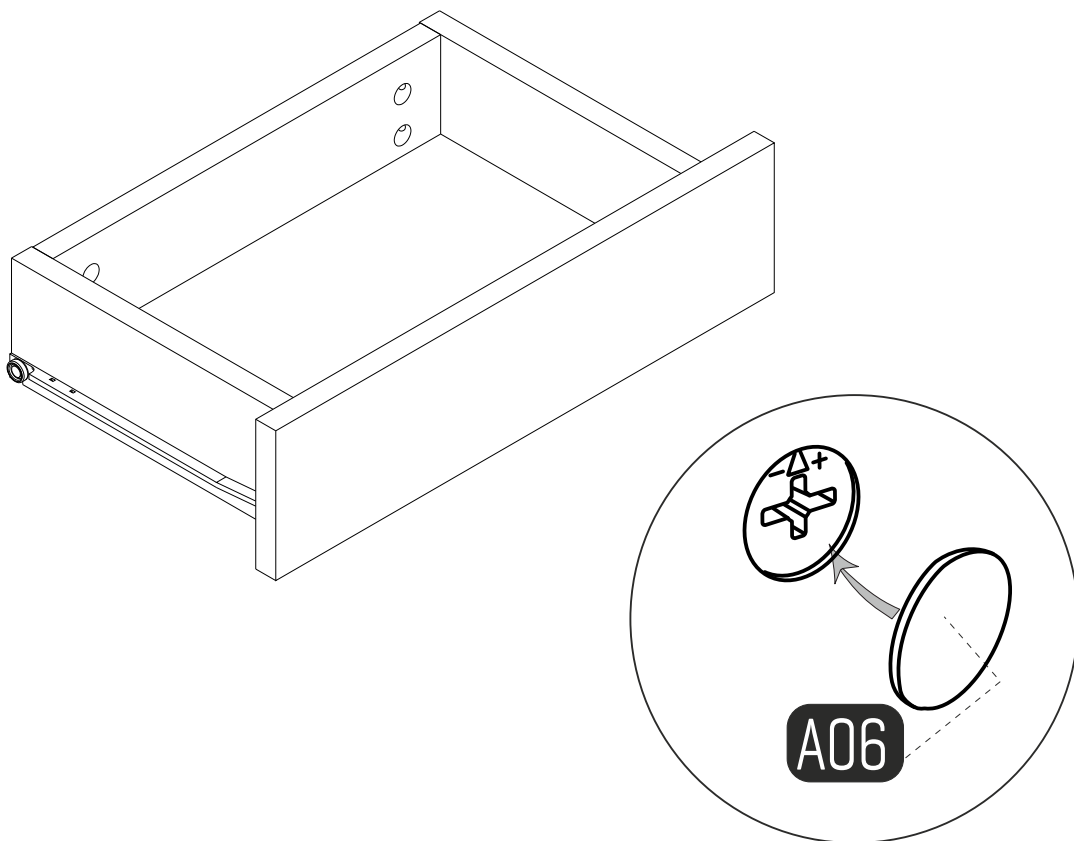
15



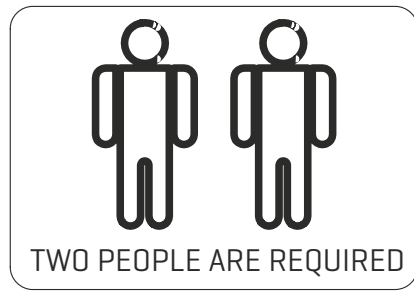
16



17

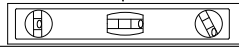


18

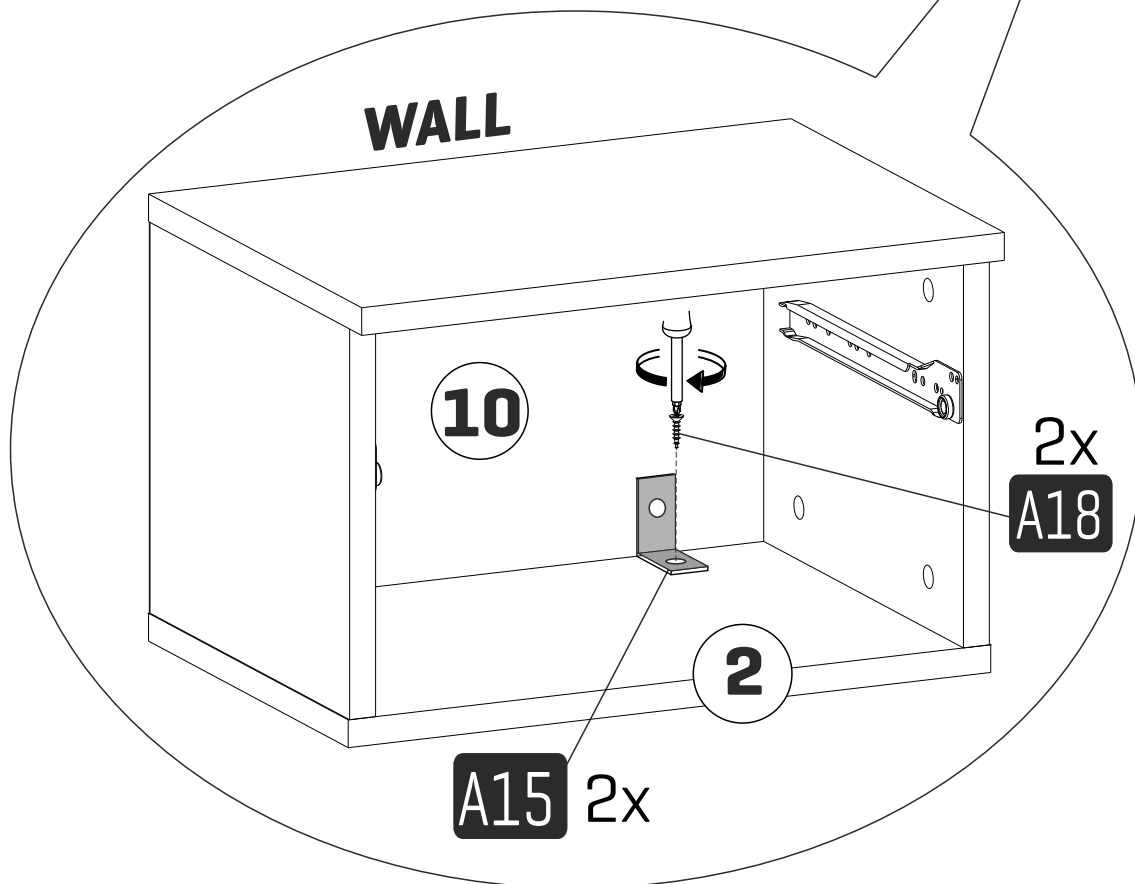
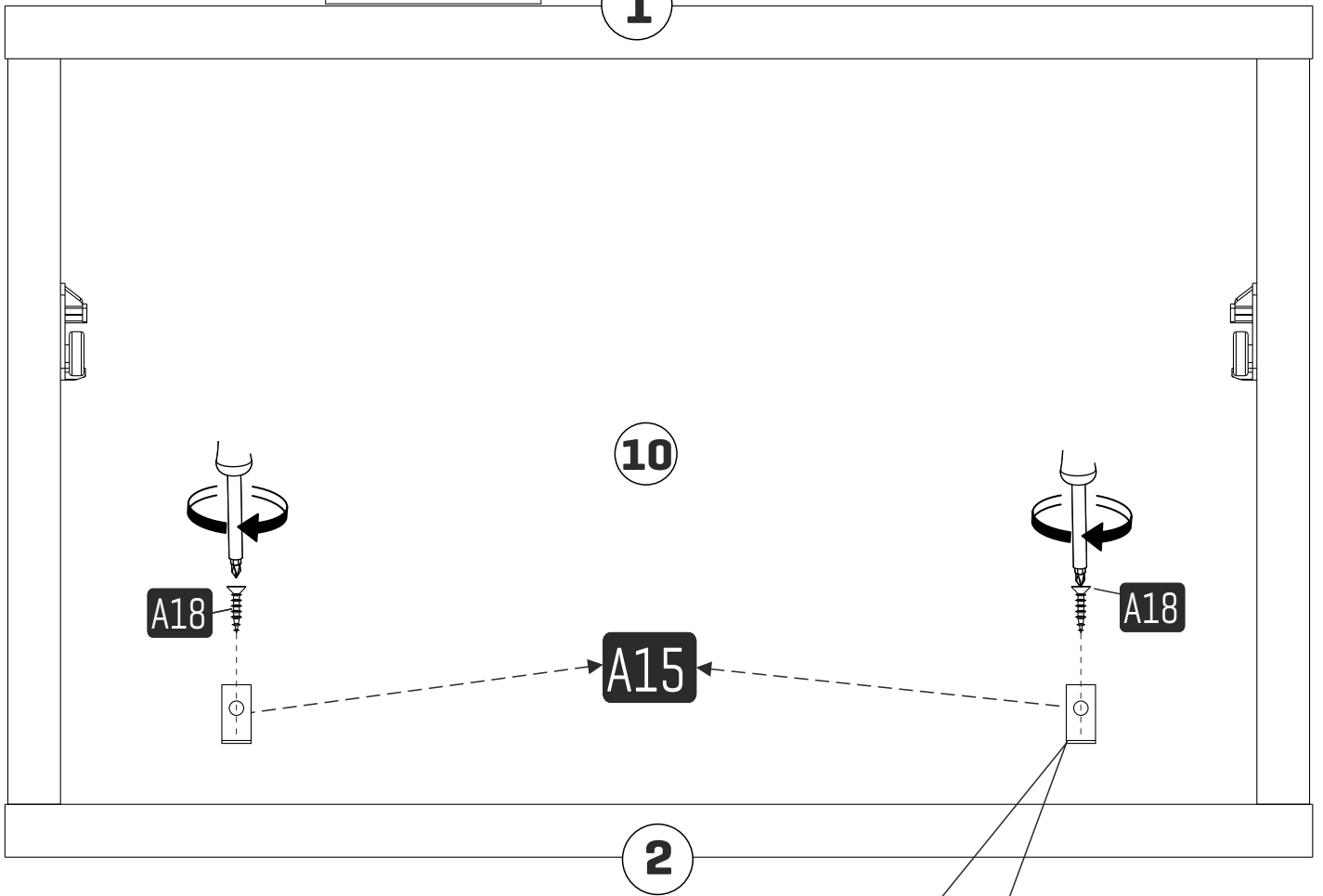


WALL

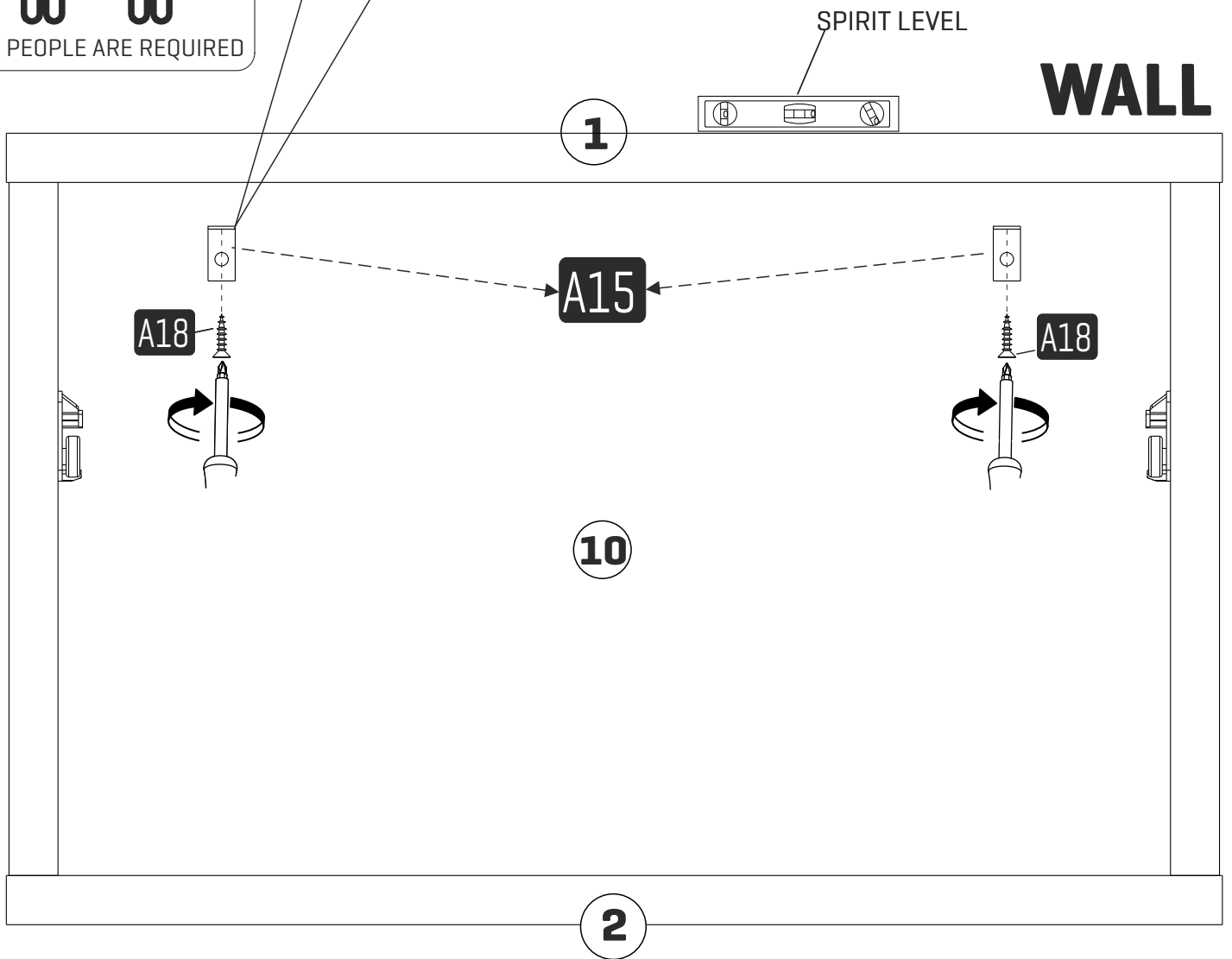
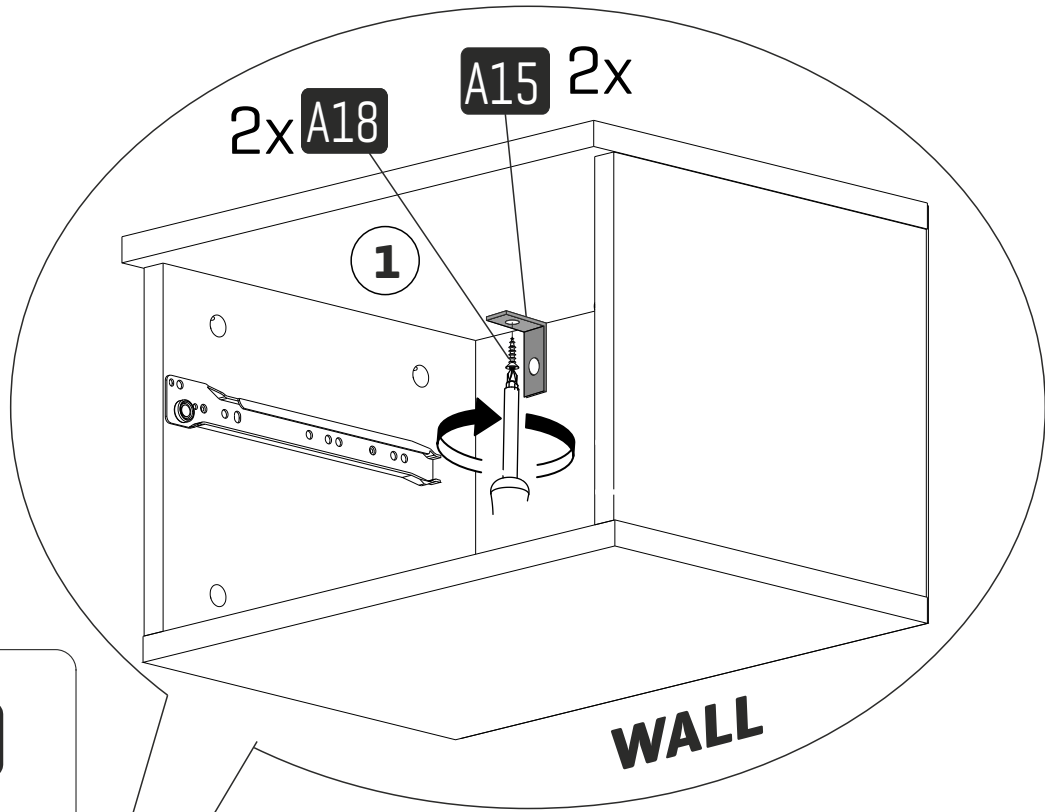
SPIRIT LEVEL



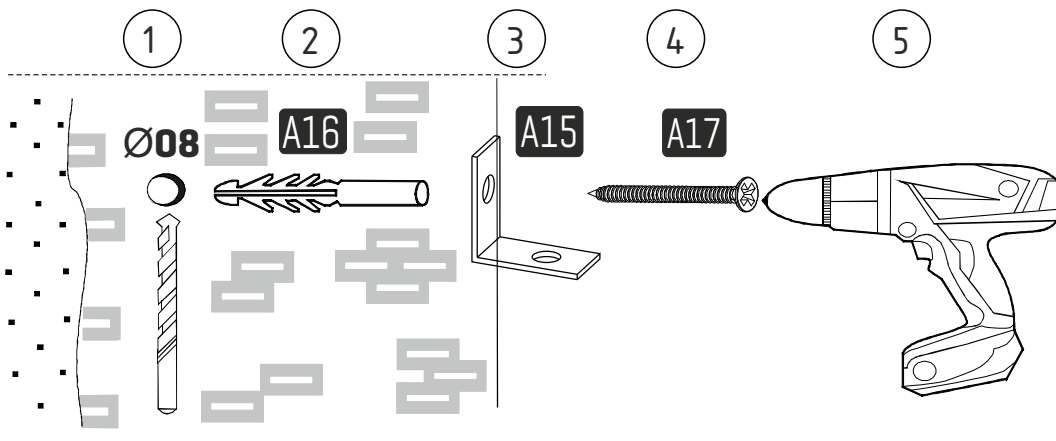
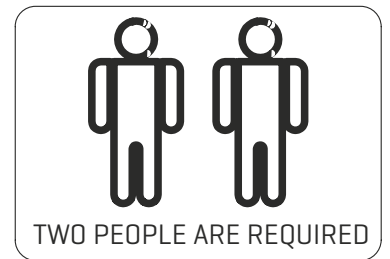
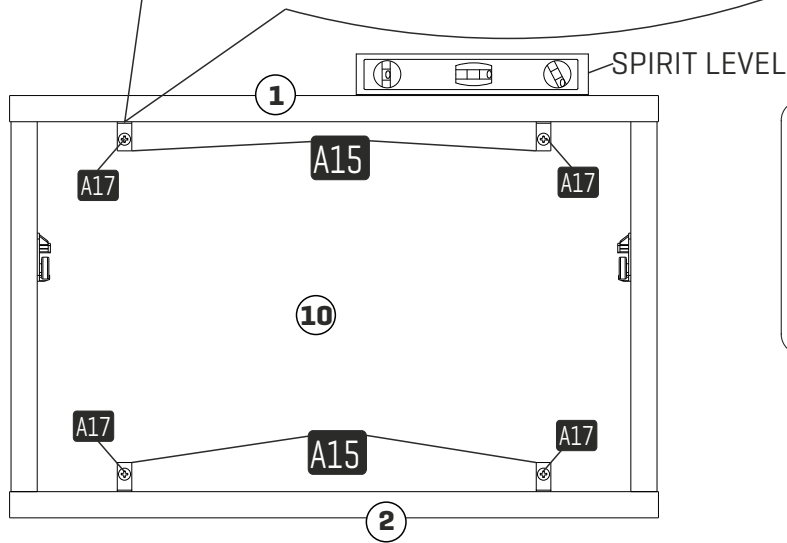
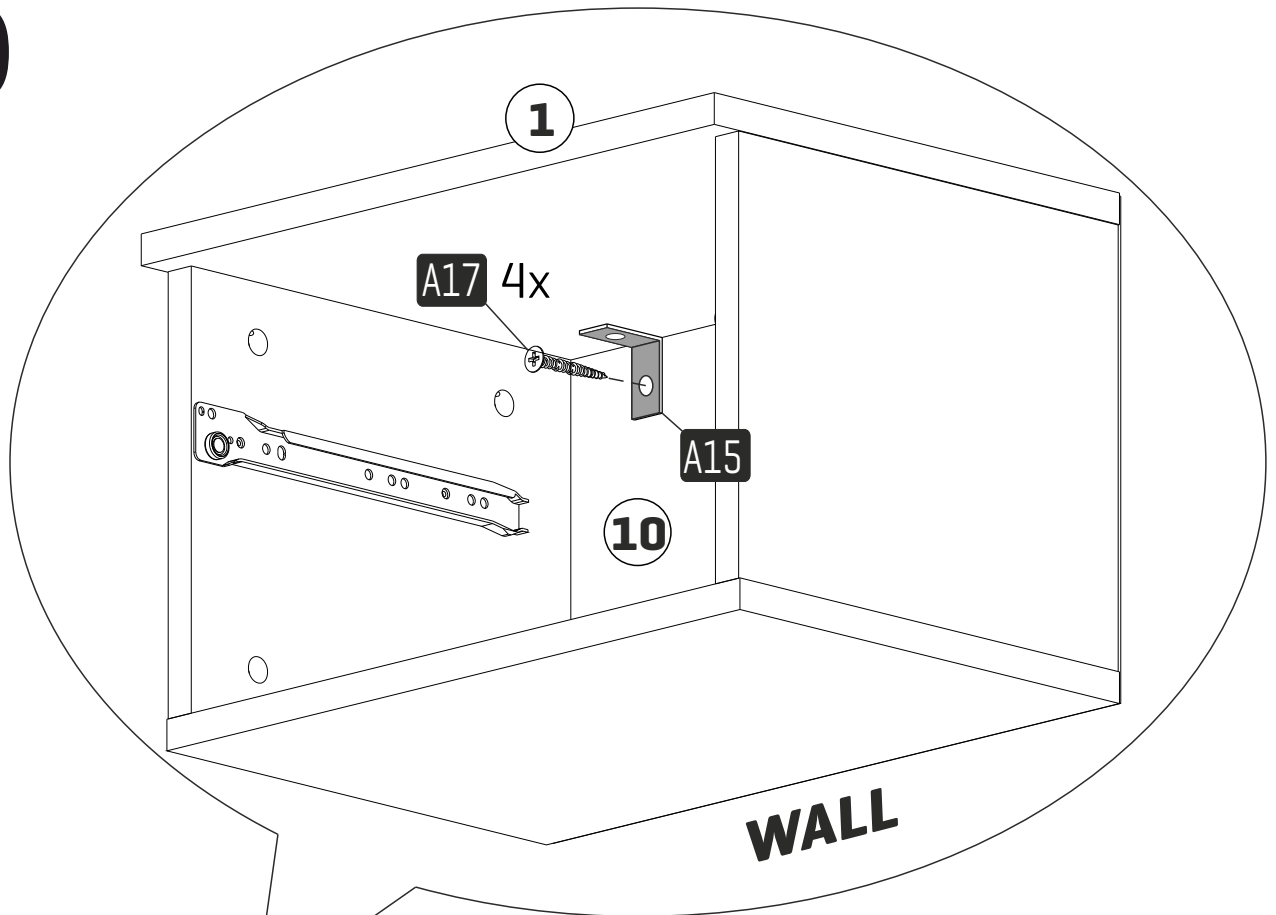
1



19

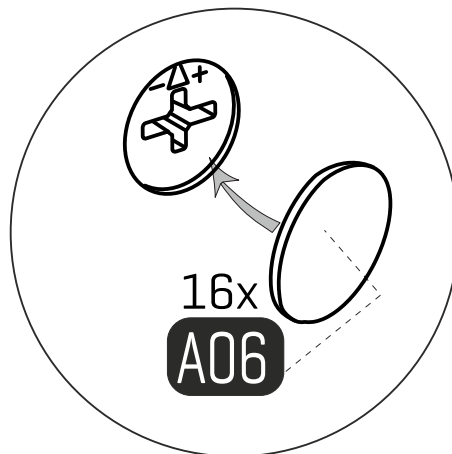
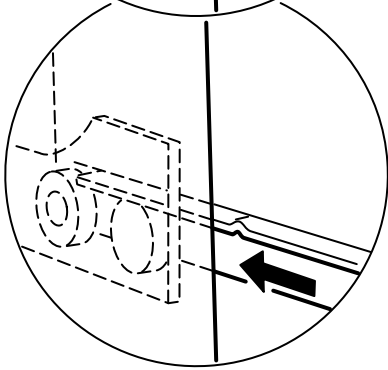
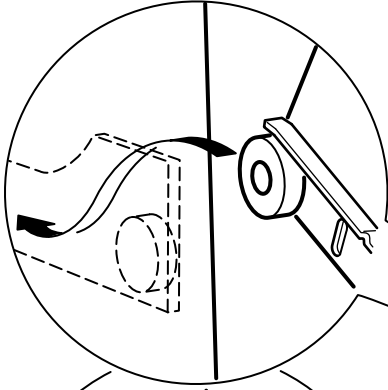
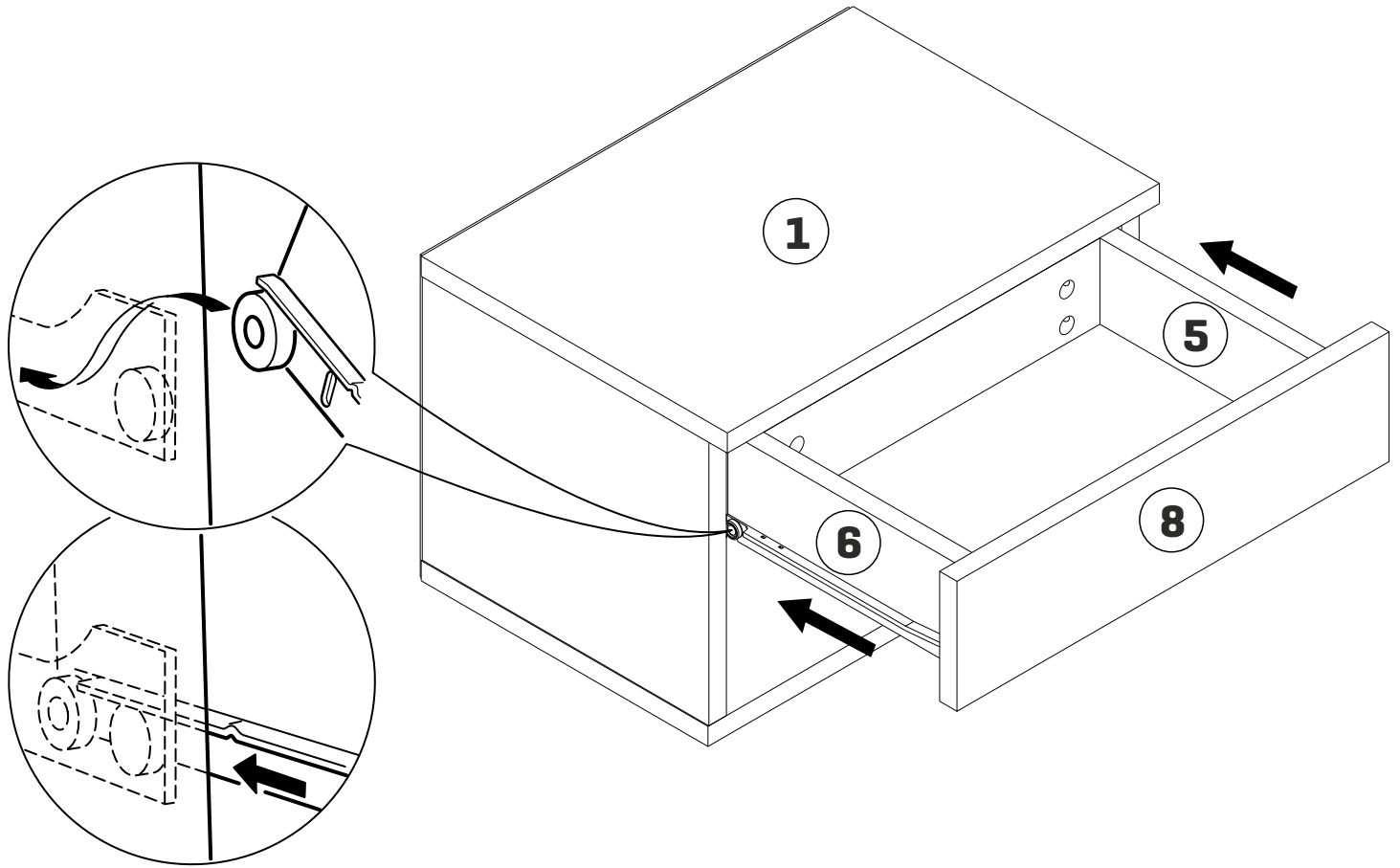


20



Check the wall type before installation of dowel. Wall is drilled with equal diameter of dowel. [08mm] Universal Plastic Dowel provides the general purpose usage. Requires two stages assembly. Dowel can be different type according to the wall type. [E.g. Plaster sheet partition wall, gas concrete, hollow brick wall]. If required, use appropriate dowels and screws.

21





- This unit contains small parts which could be a choking hazard for small children. Children should be under adult supervision at all times.
- Do not overload the unit. Each shelf has a recommended capacity of 13 pounds, and the total weight on the unit should not exceed 39 pounds for wall shelves.
- Do not climb, step, or stand on the unit.
- Do not mount or attach items to the front, rear, or sides of the unit. This can cause the unit to become unbalanced and fall.
- Do not stack units.
- All units must be secured individually to wall studs using hardware provided. If wall studs are not accessible, consult your local hardware store for appropriate mounting hardware.
- We recommend you hand-tighten screws. Use care not to overtighten if using power tools. Follow proper safety procedures if using power tools and/or ladders.
- We recommend you protect your work surface during assembly to prevent scratching or damage to tabletops, wood floors, etc.
- Failure to follow the instructions listed here could result in bodily injury or damage to personal belongings. Use caution and follow safety procedures.