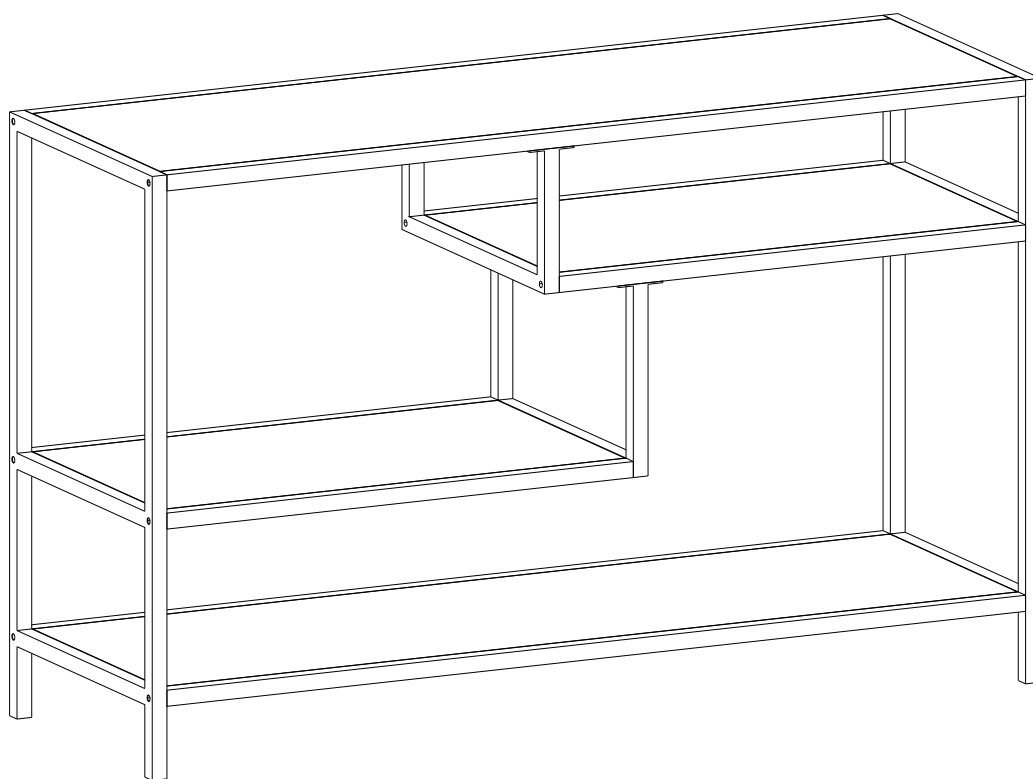


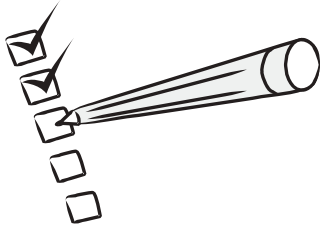
# ROBBINS TV STAND



Dear Customer,

We design and produce our products for people to love and have fun with them as we do.

The product you bought was subjected to all sorts of tests and control before sending out to you.



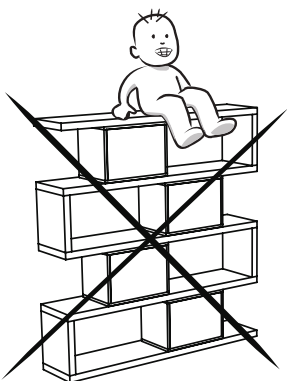
Before assembling, please check the whole components and accessories according to the lists. If you bought more than one product, to prevent confusion be sure that you completed the first product. Then start the other product's assembling.



Before assembling, please clean all the components with a damp cloth. Also for usual cleaning, this will be enough.



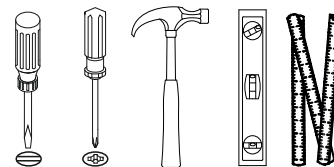
Although all the products are produced and packed carefully, sometimes some components can become damaged during the transportation. In such a case please check the missing or damaged part and do not hesitate to contact us.




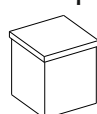


Do not use your furniture for the unintended purpose. If you would like to use it for other purposes, please contact us for further questions.

Do not directly contact your furniture with excessive heat, cold and humidity because the product can be affected..

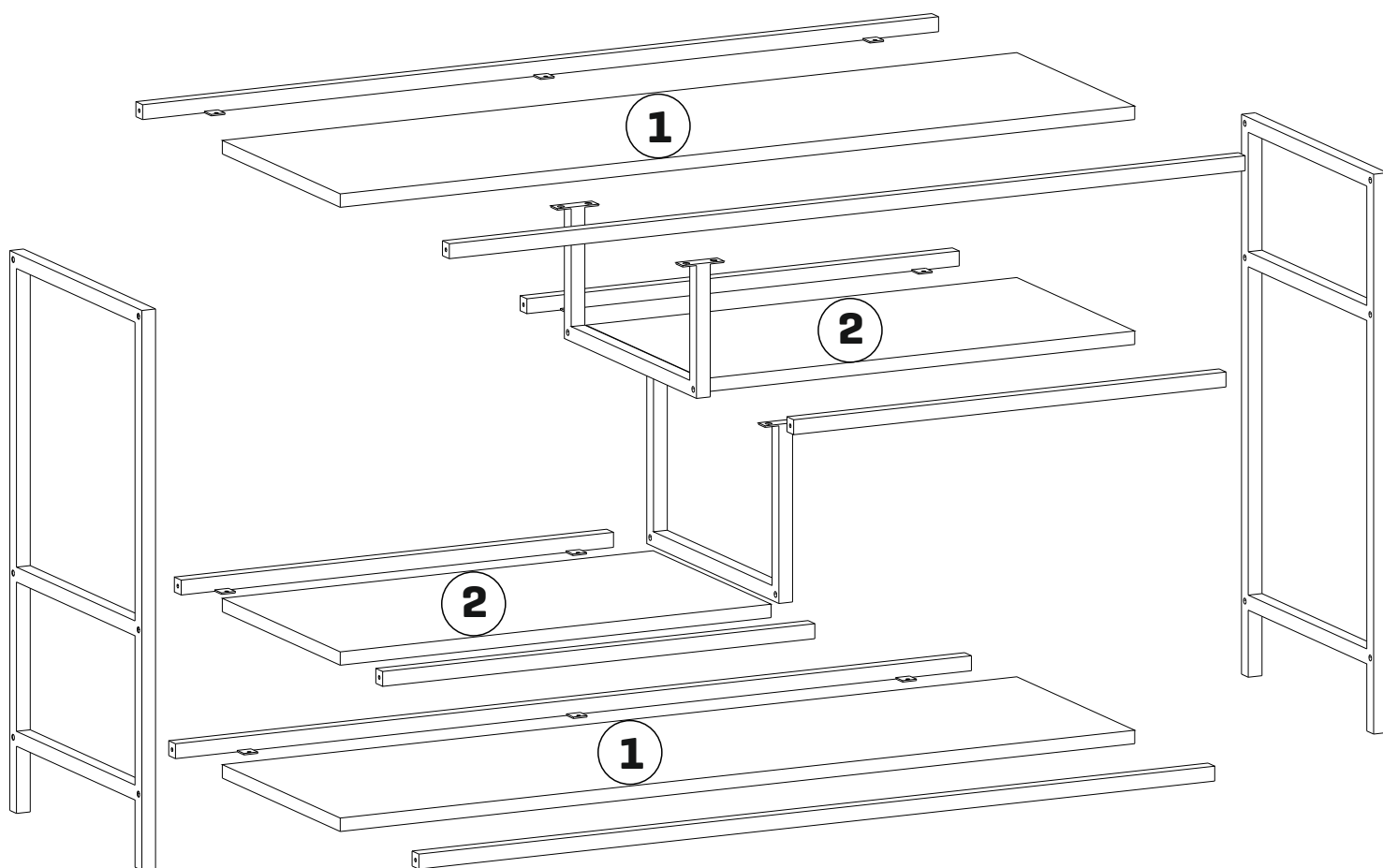
# ACCESSORY LIST [18]

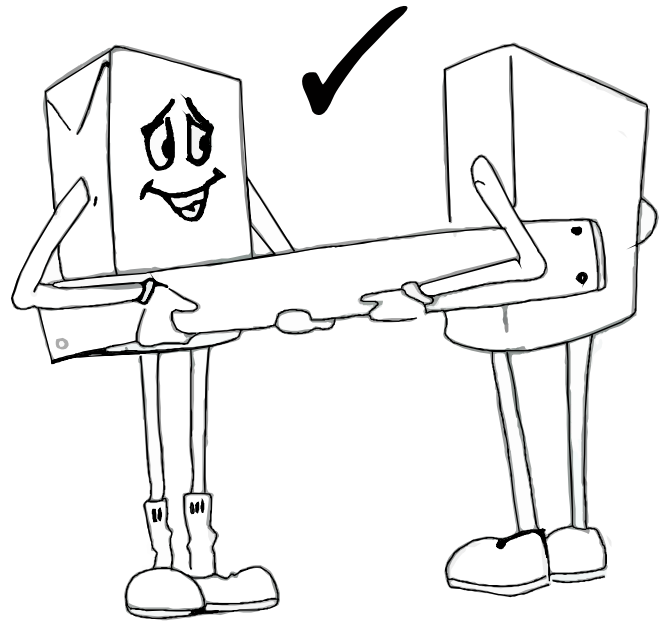
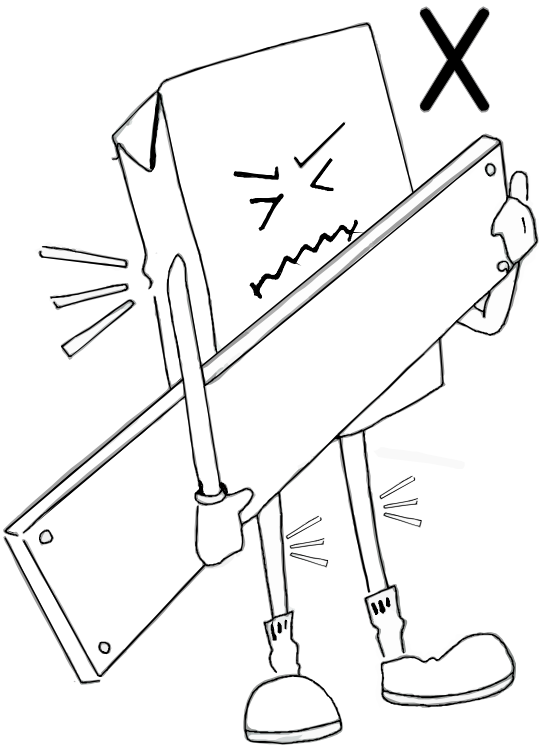


<b>V51</b>  M6X30 <b>16x</b>	<b>V50</b>  M6X15 <b>8x</b>	<b>A18</b>  3,5x18 <b>20x</b>	<b>T01</b>  plastic plug 20X20 <b>4x</b>
--	---	---	---

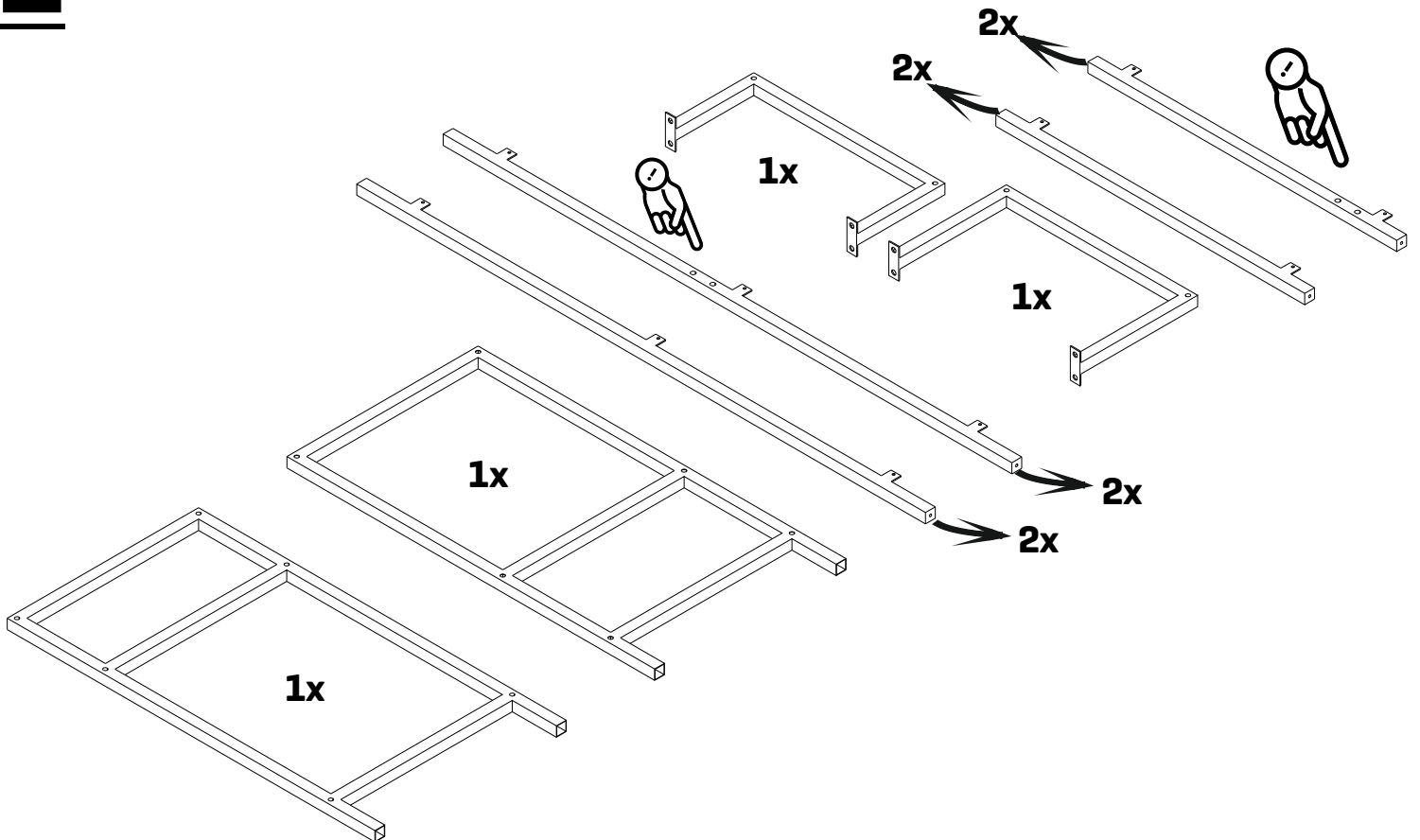
## GENERAL VIEW

No	Quantity	Dimensions	
01	2	1.158	348
02	2	628	348

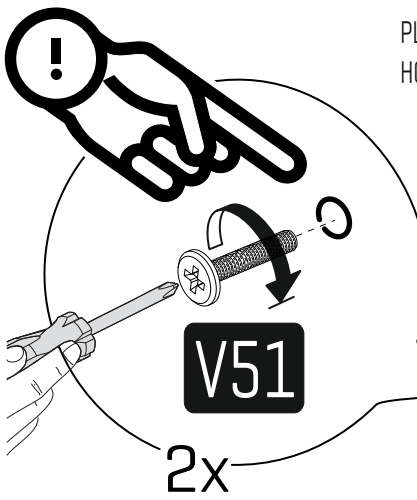




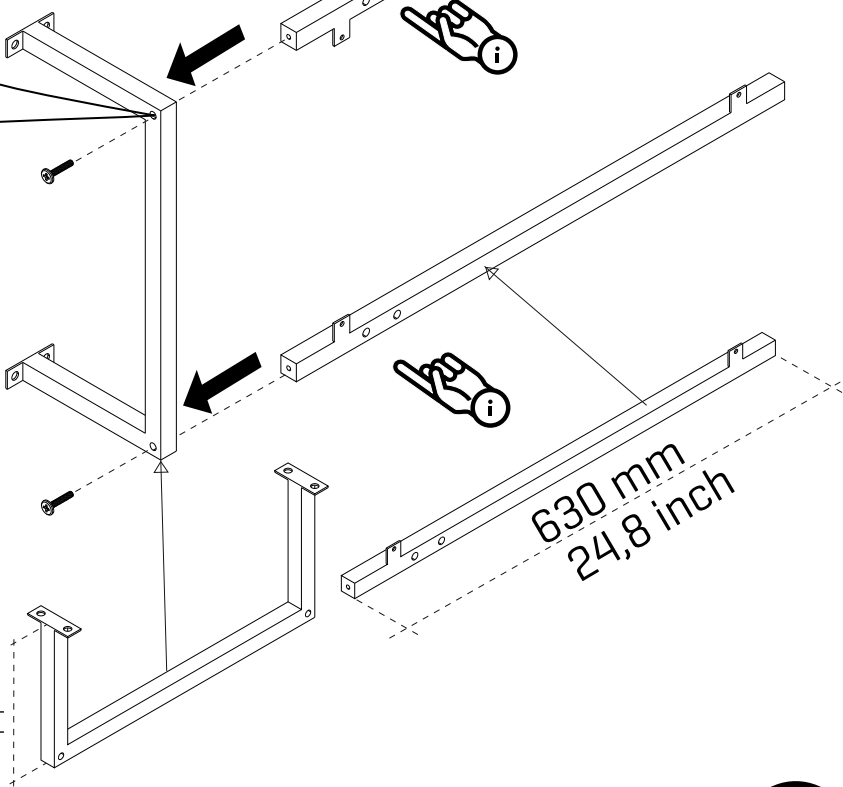
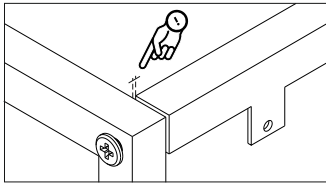
**1**



**2**

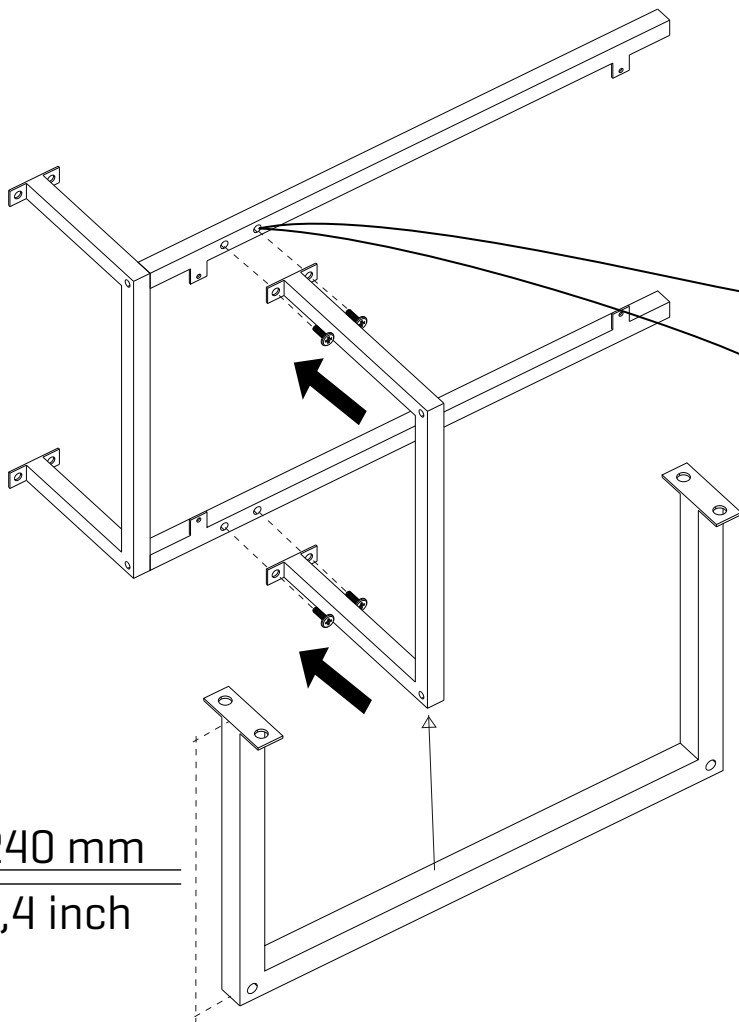


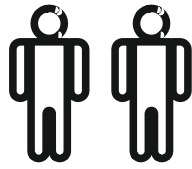
PLEASE LEAVE THE A50 AND A51 SCREWS LOOSE  
HOWEVER YOU WILL NEED TO TIGHTEN THEM IN THE LAST PART



  
TWO PEOPLE ARE REQUIRED TO  
ASSEMBLE AND MOVE THIS MODEL

**3**

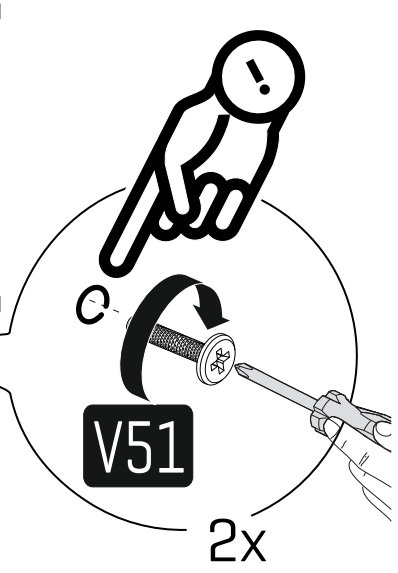
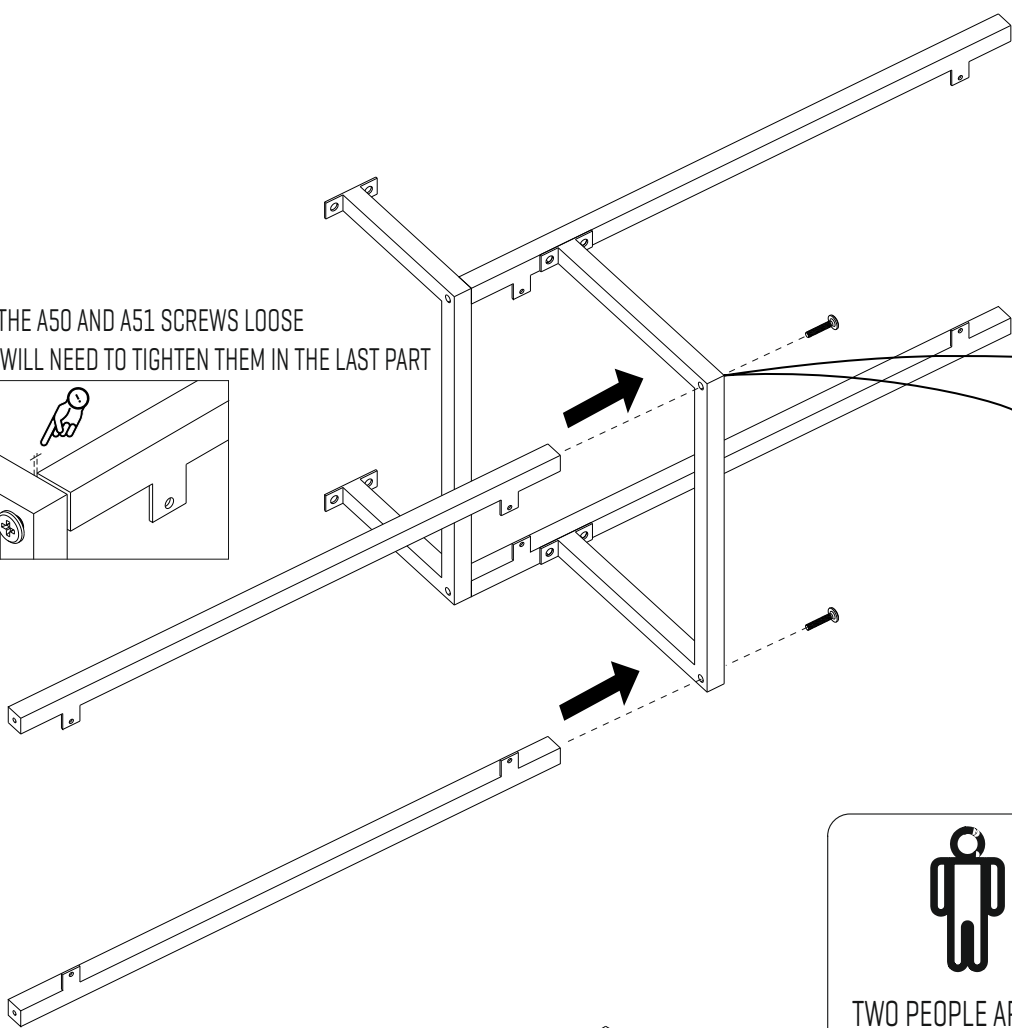
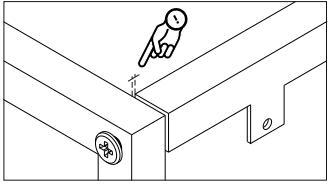


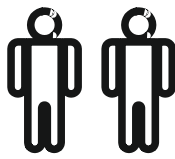
  
TWO PEOPLE ARE REQUIRED TO  
ASSEMBLE AND MOVE THIS MODEL

**4**

# 4

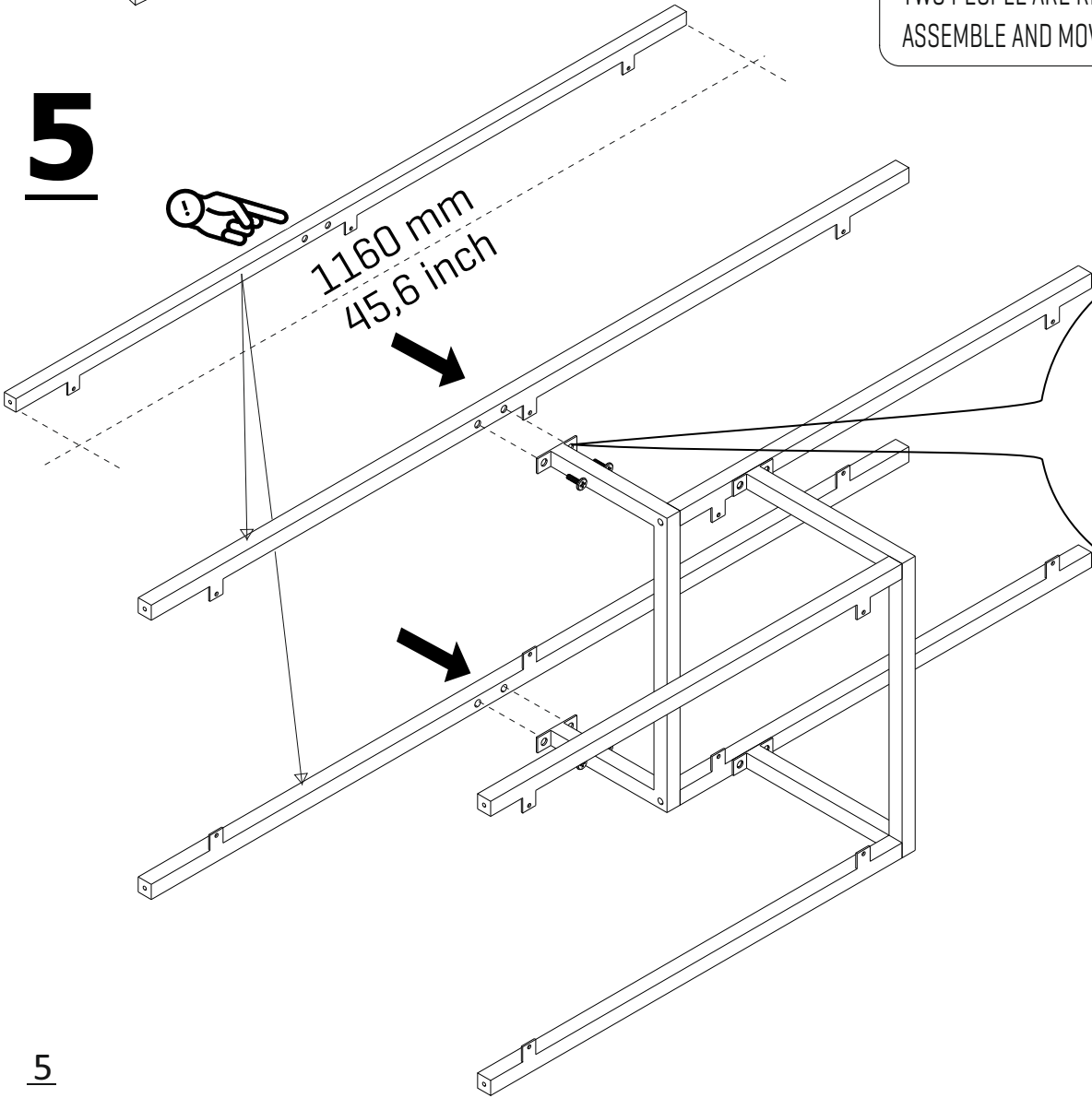
PLEASE LEAVE THE A50 AND A51 SCREWS LOOSE  
HOWEVER YOU WILL NEED TO TIGHTEN THEM IN THE LAST PART



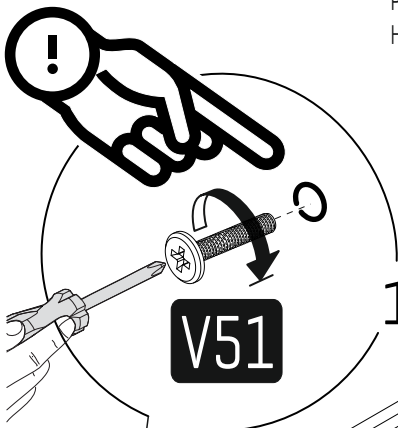
  
TWO PEOPLE ARE REQUIRED TO  
ASSEMBLE AND MOVE THIS MODEL

# 5

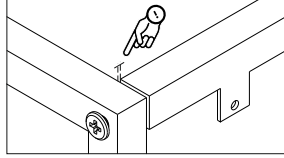
1160 mm  
45,6 inch



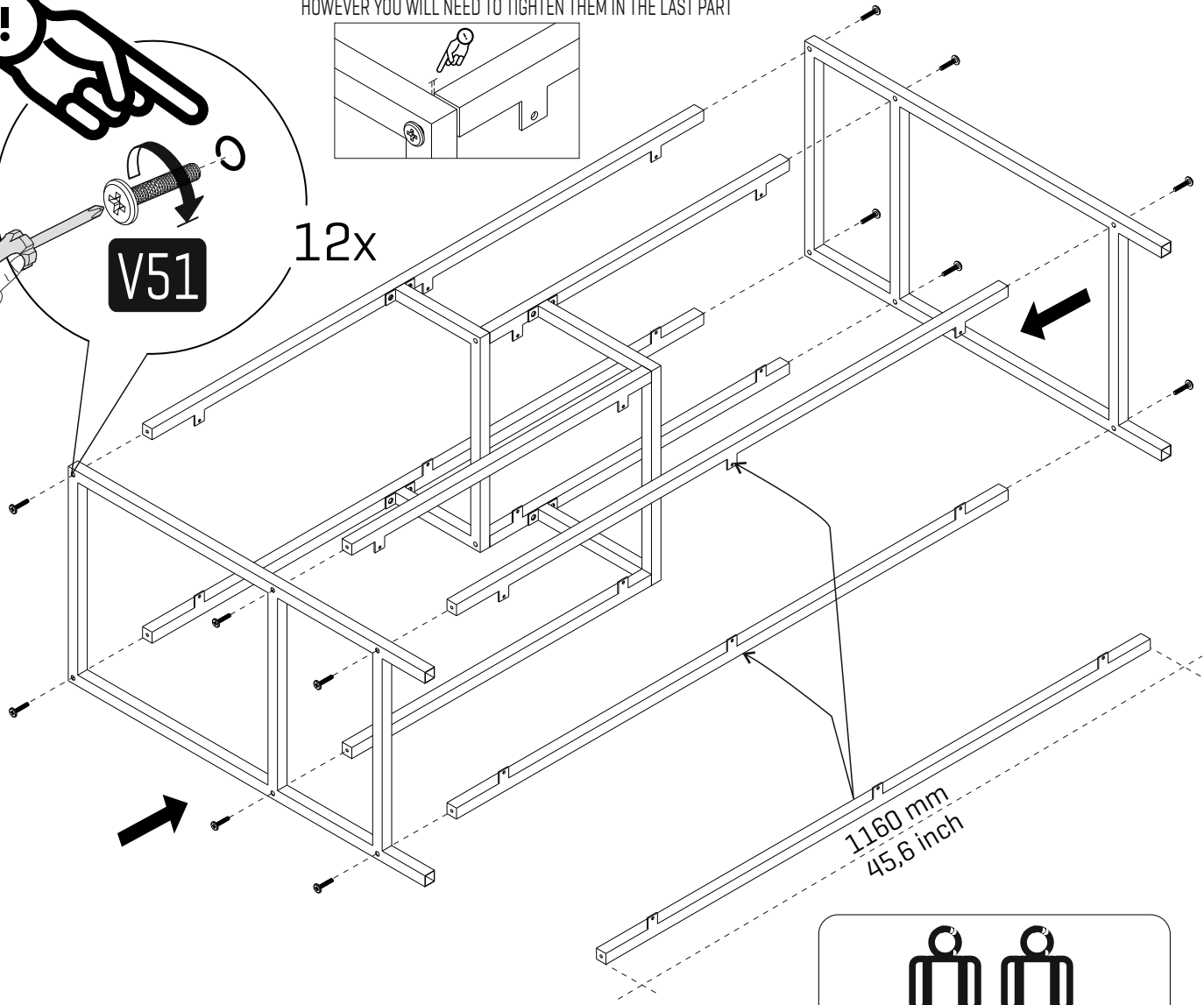
**6**



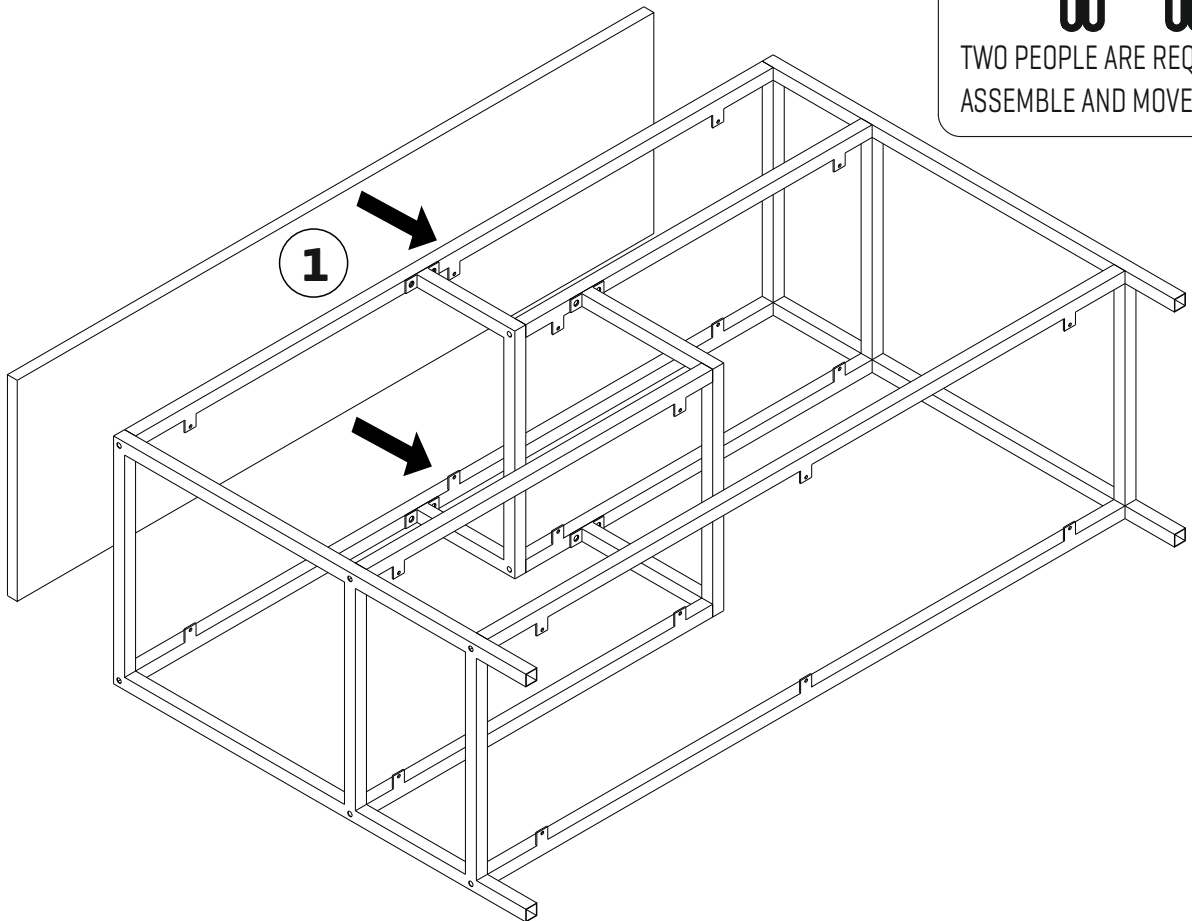
PLEASE LEAVE THE A50 AND A51 SCREWS LOOSE  
HOWEVER YOU WILL NEED TO TIGHTEN THEM IN THE LAST PART



12x

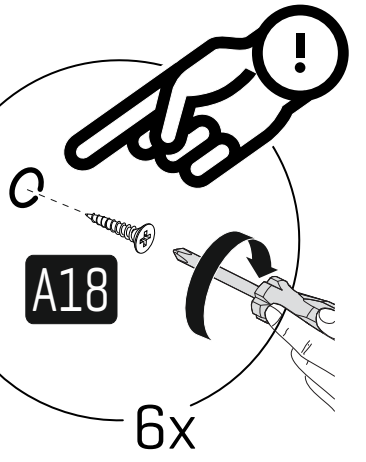
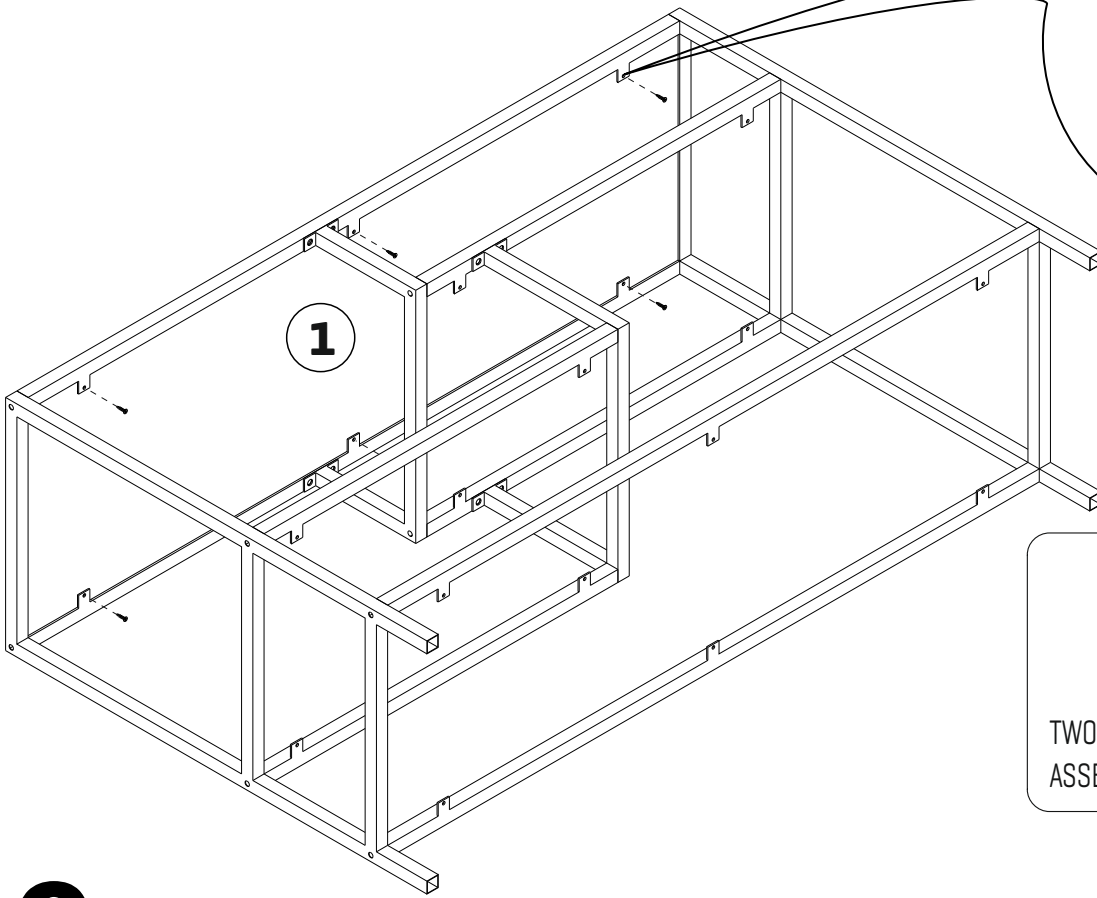


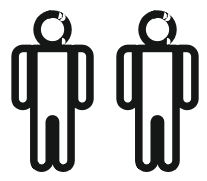
**7**



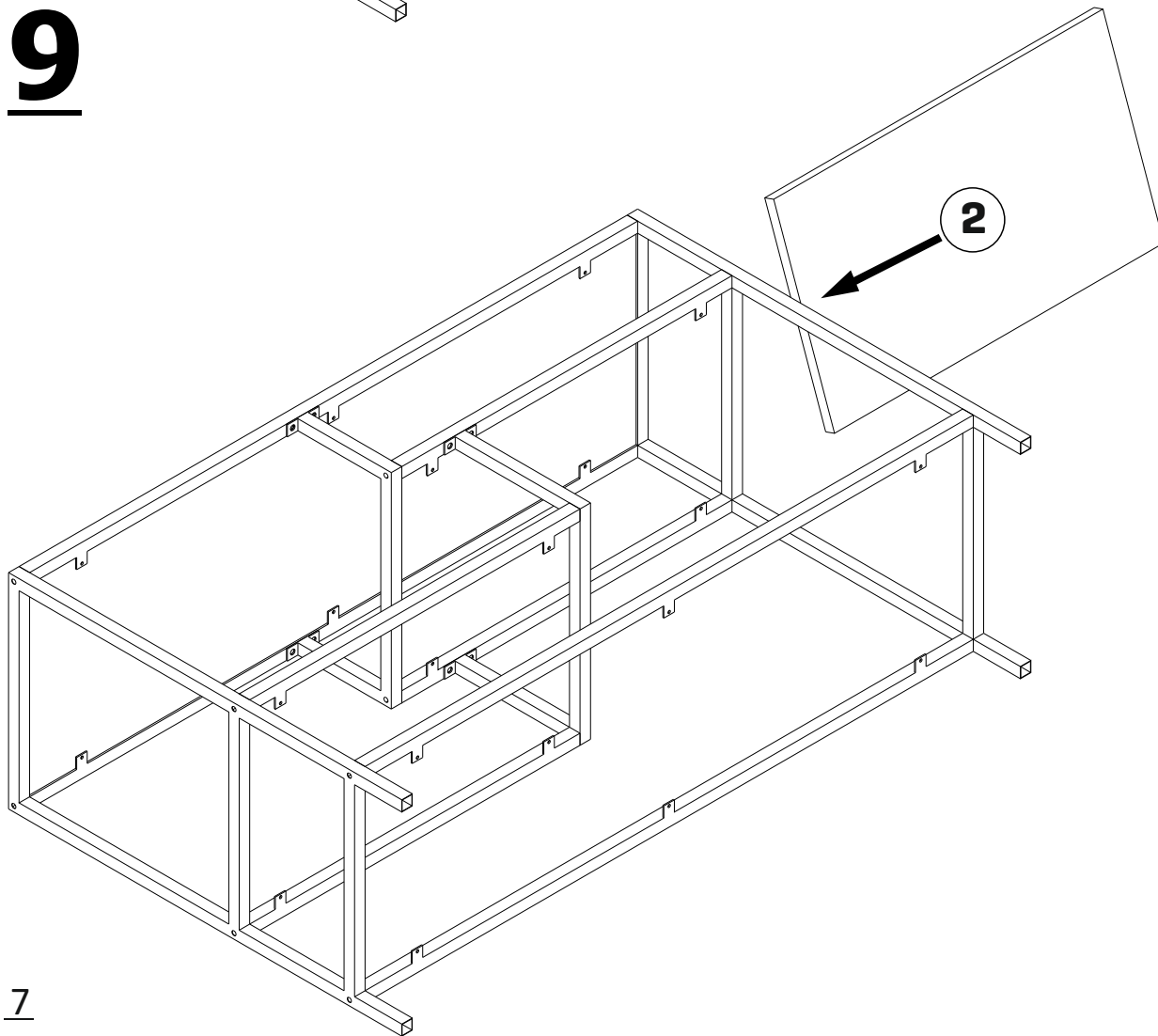
**6**

**8**



  
TWO PEOPLE ARE REQUIRED TO  
ASSEMBLE AND MOVE THIS MODEL

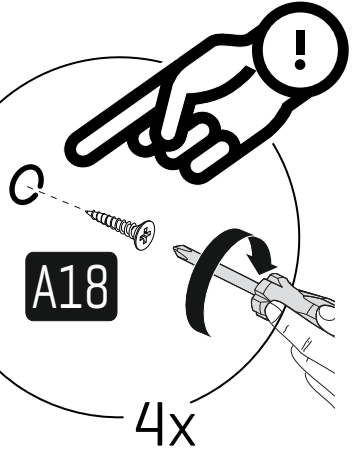
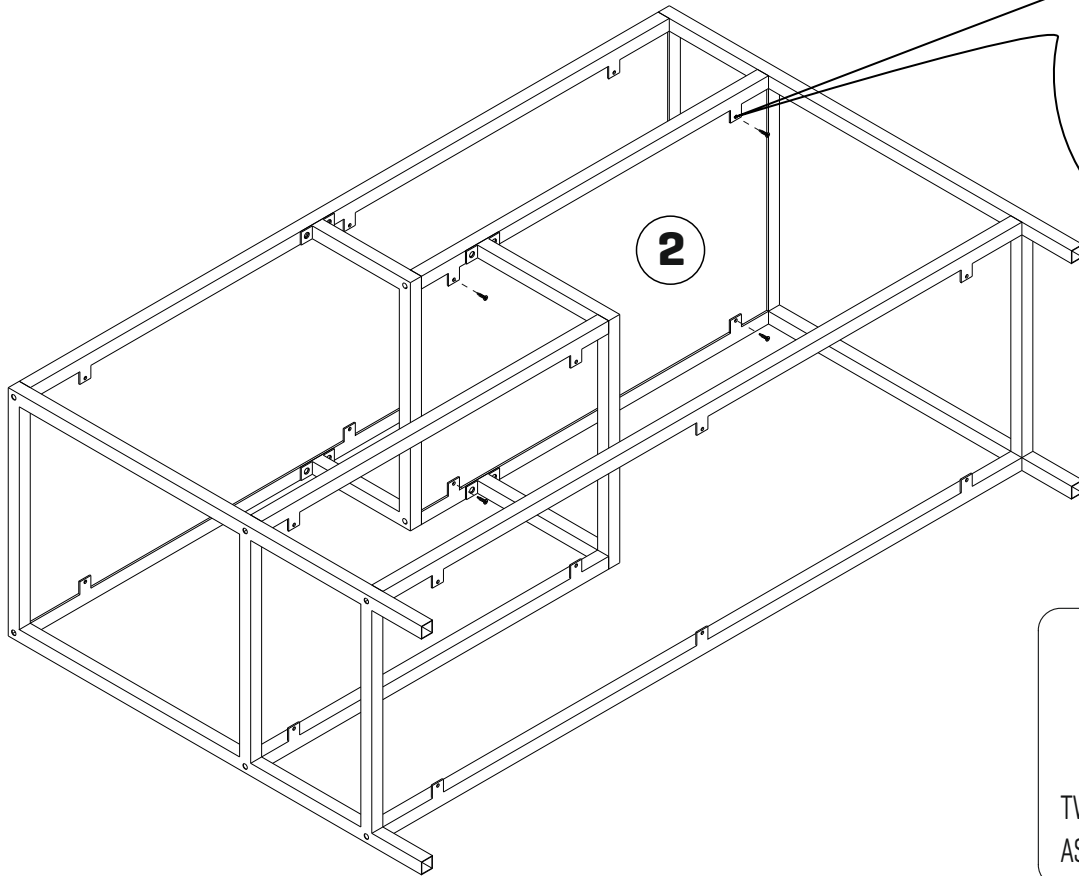
**9**



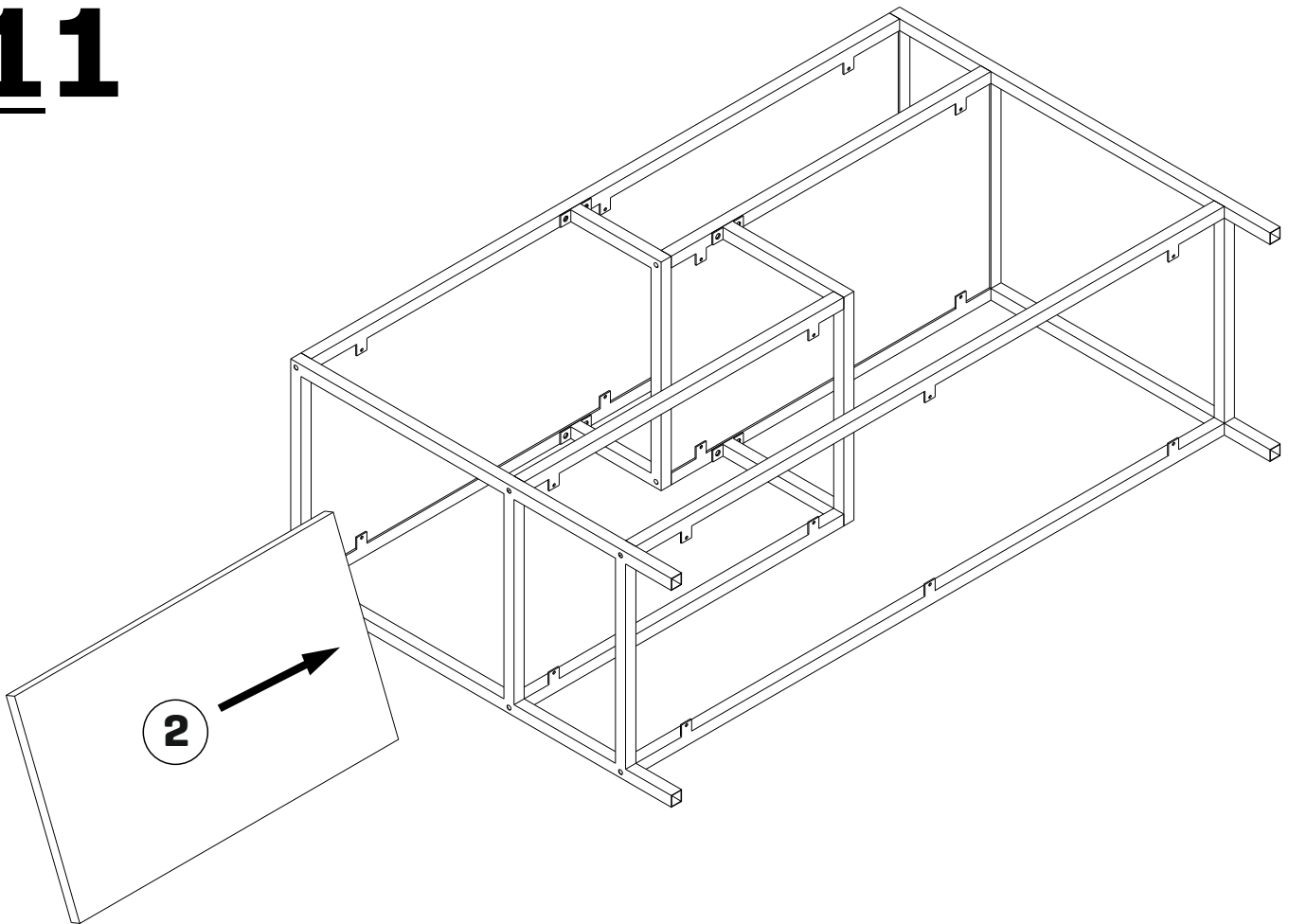
**7**



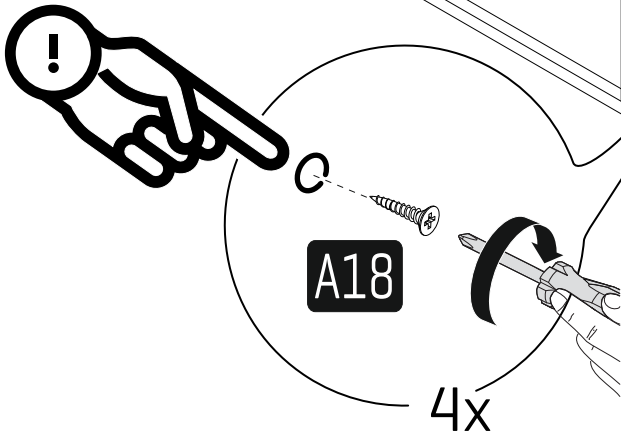
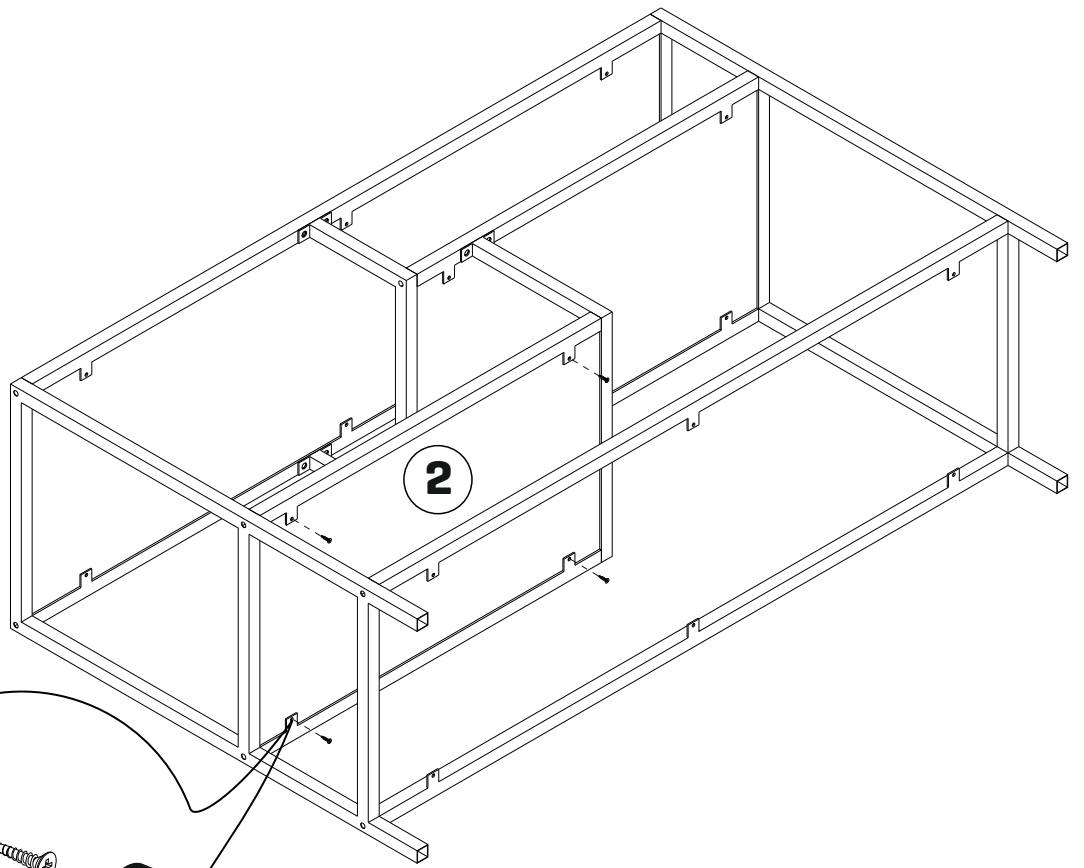
# 10



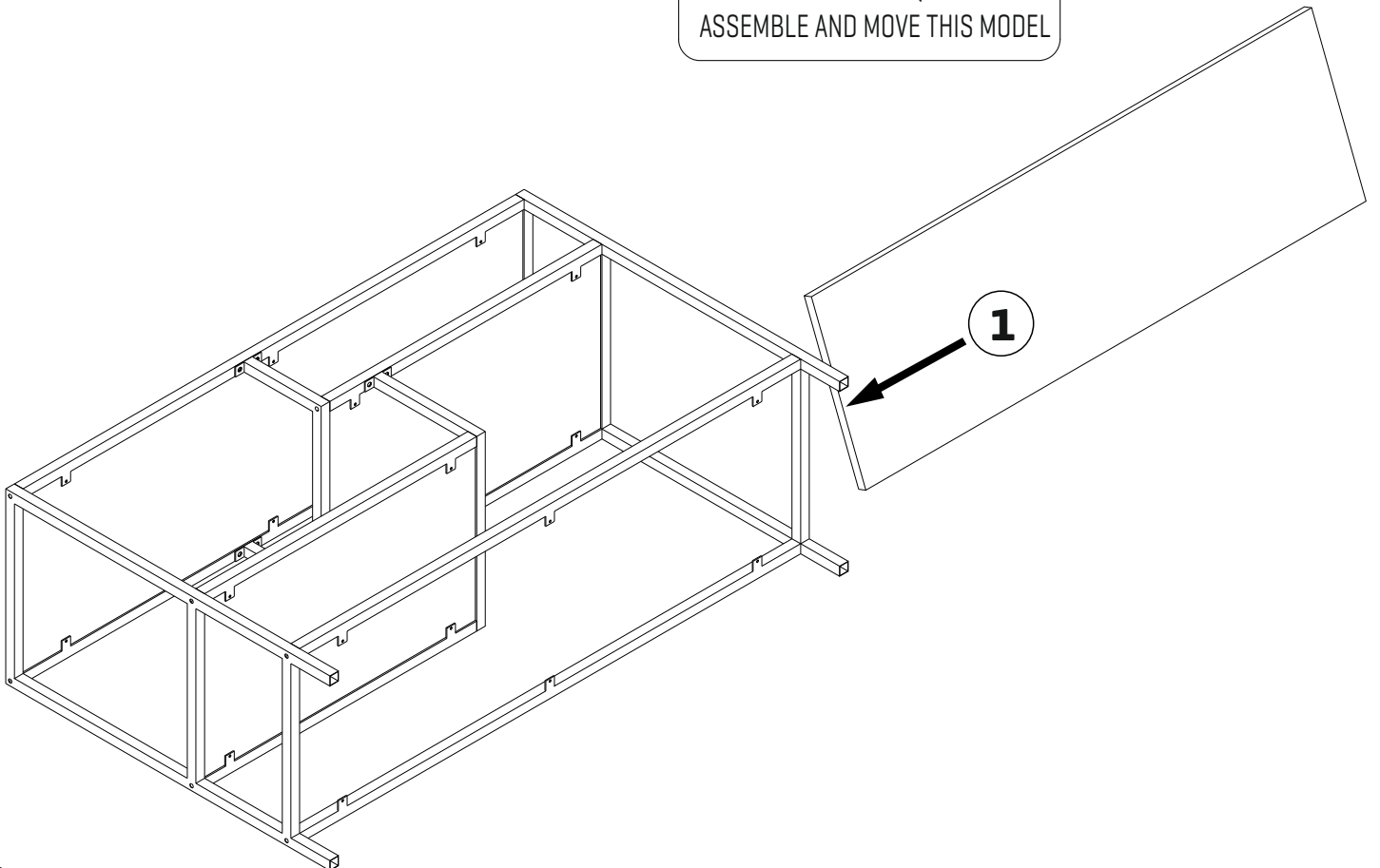
# 11



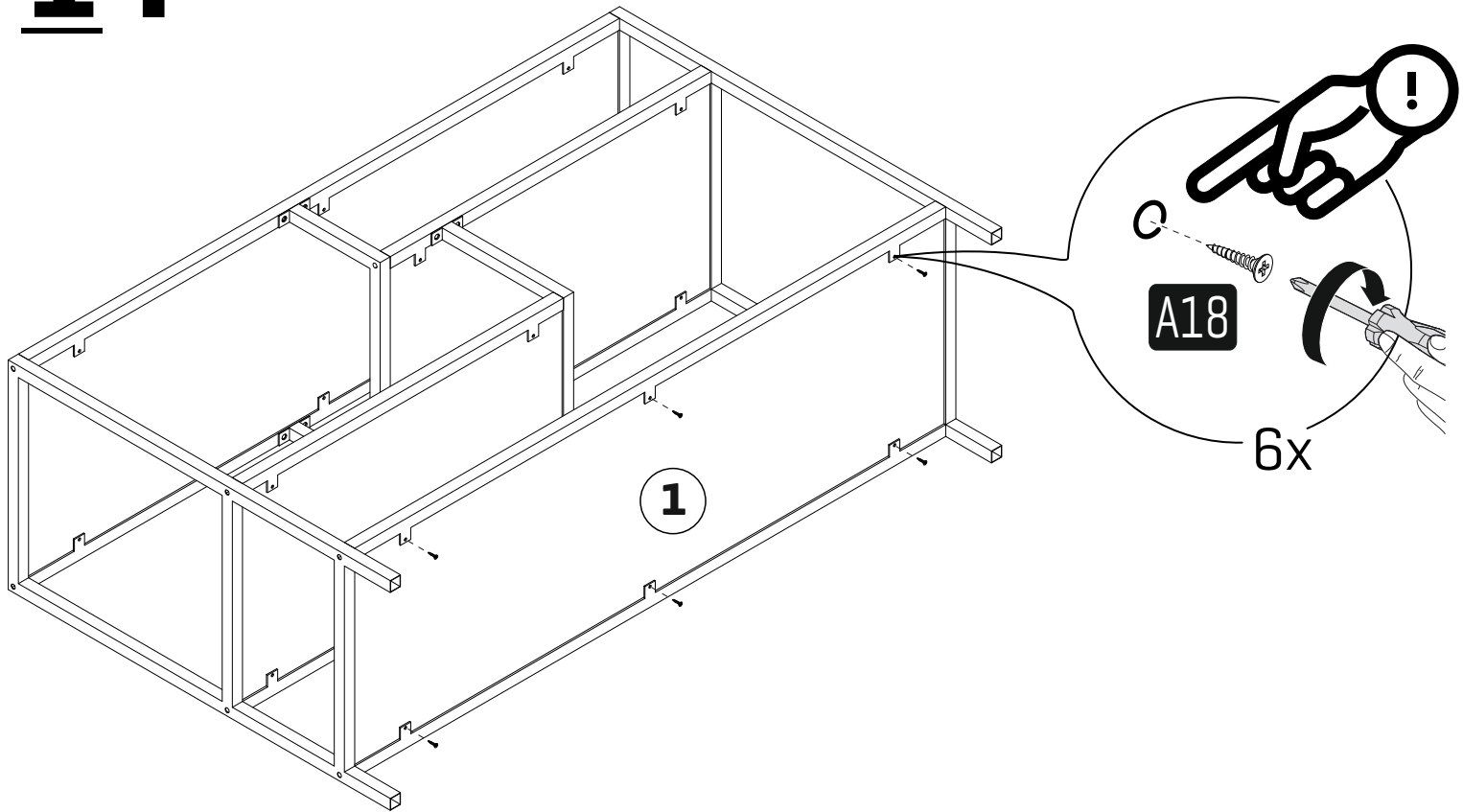
# 12



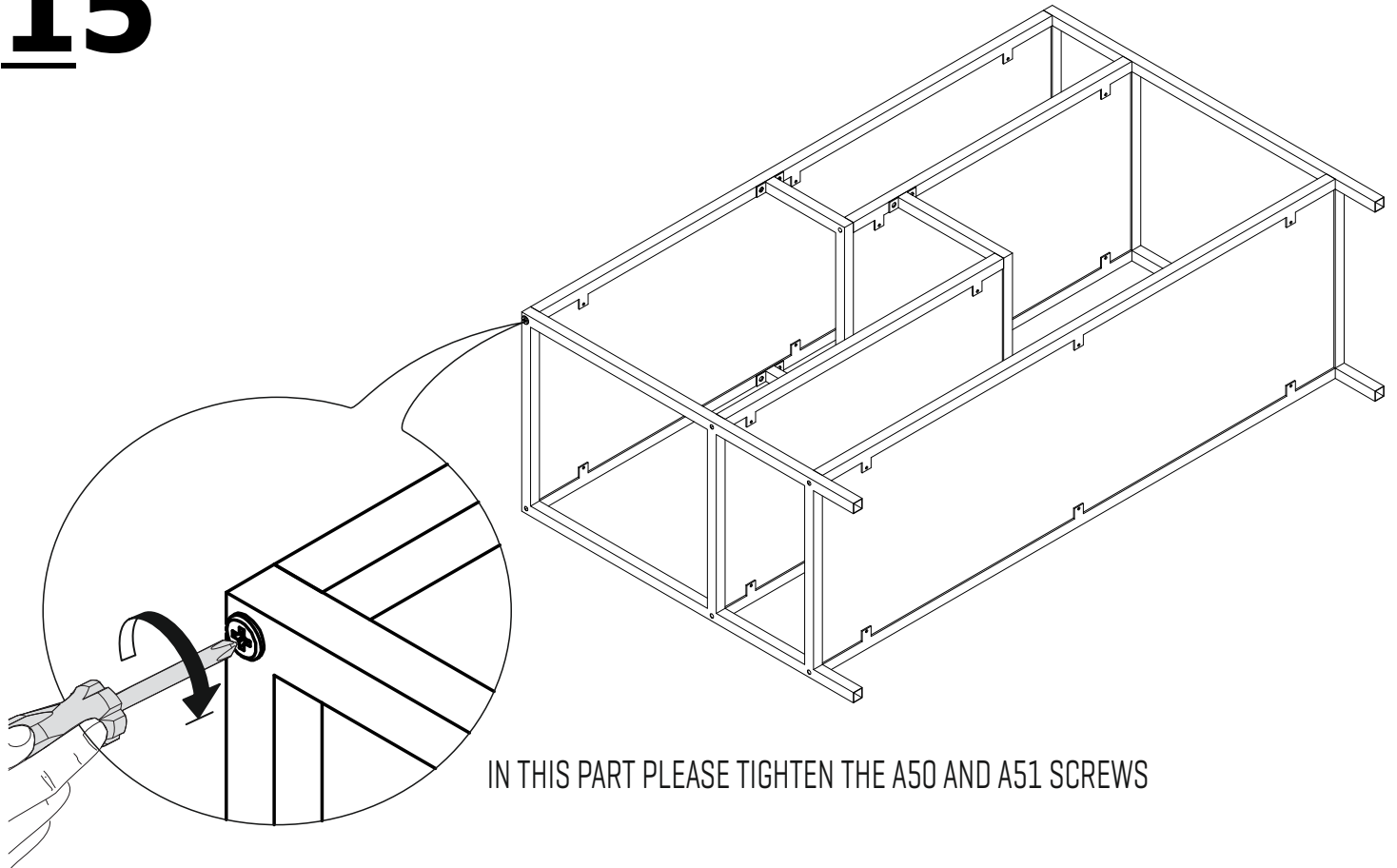
# 13



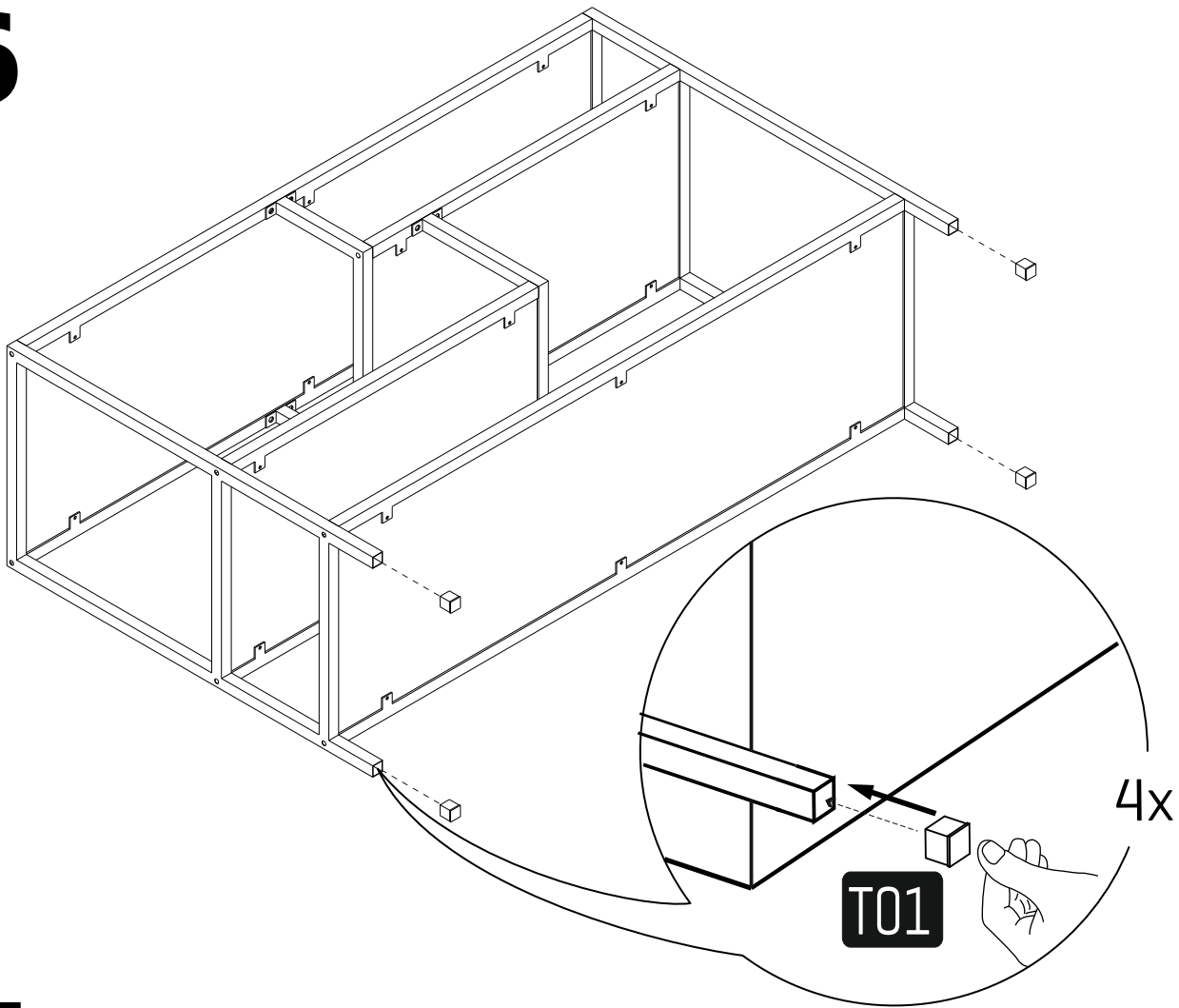
# 14



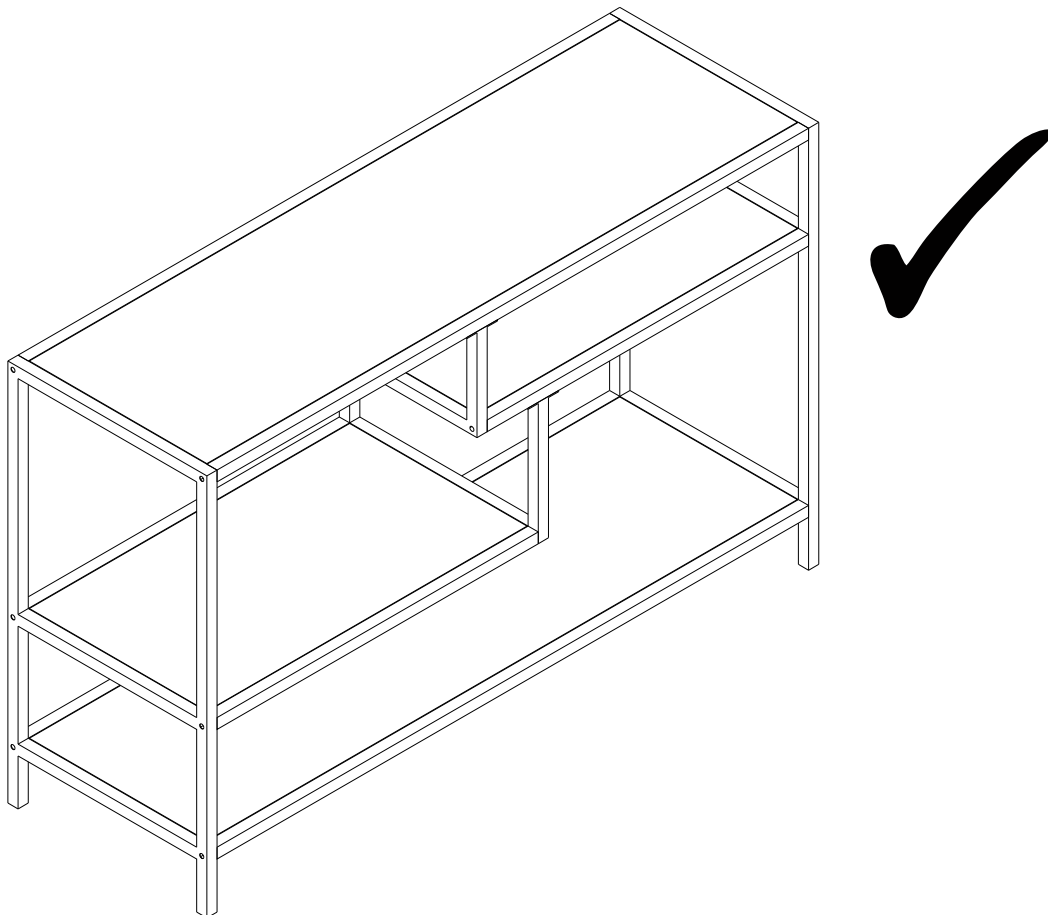
# 15



**16**



**17**





# **WARNING**

## **CHOKING HAZARD**

- This unit contains small parts which could be a choking hazard for small children. Children should be under adult supervision at all times.
- Do not overload the unit. Each shelf has a recommended capacity of 13 pounds, and the total weight on the unit should not exceed 39 pounds for wall shelves.
- Do not climb, step, or stand on the unit.
- Do not mount or attach items to the front, rear, or sides of the unit. This can cause the unit to become unbalanced and fall.
- Do not stack units.
- All units must be secured individually to wall studs using hardware provided. If wall studs are not accessible, consult your local hardware store for appropriate mounting hardware.
- We recommend you hand-tighten screws. Use care not to overtighten if using power tools. Follow proper safety procedures if using power tools and/or ladders.
- We recommend you protect your work surface during assembly to prevent scratching or damage to tabletops, wood floors, etc.
- Failure to follow the instructions listed here could result in bodily injury or damage to personal belongings. Use caution and follow safety procedures.