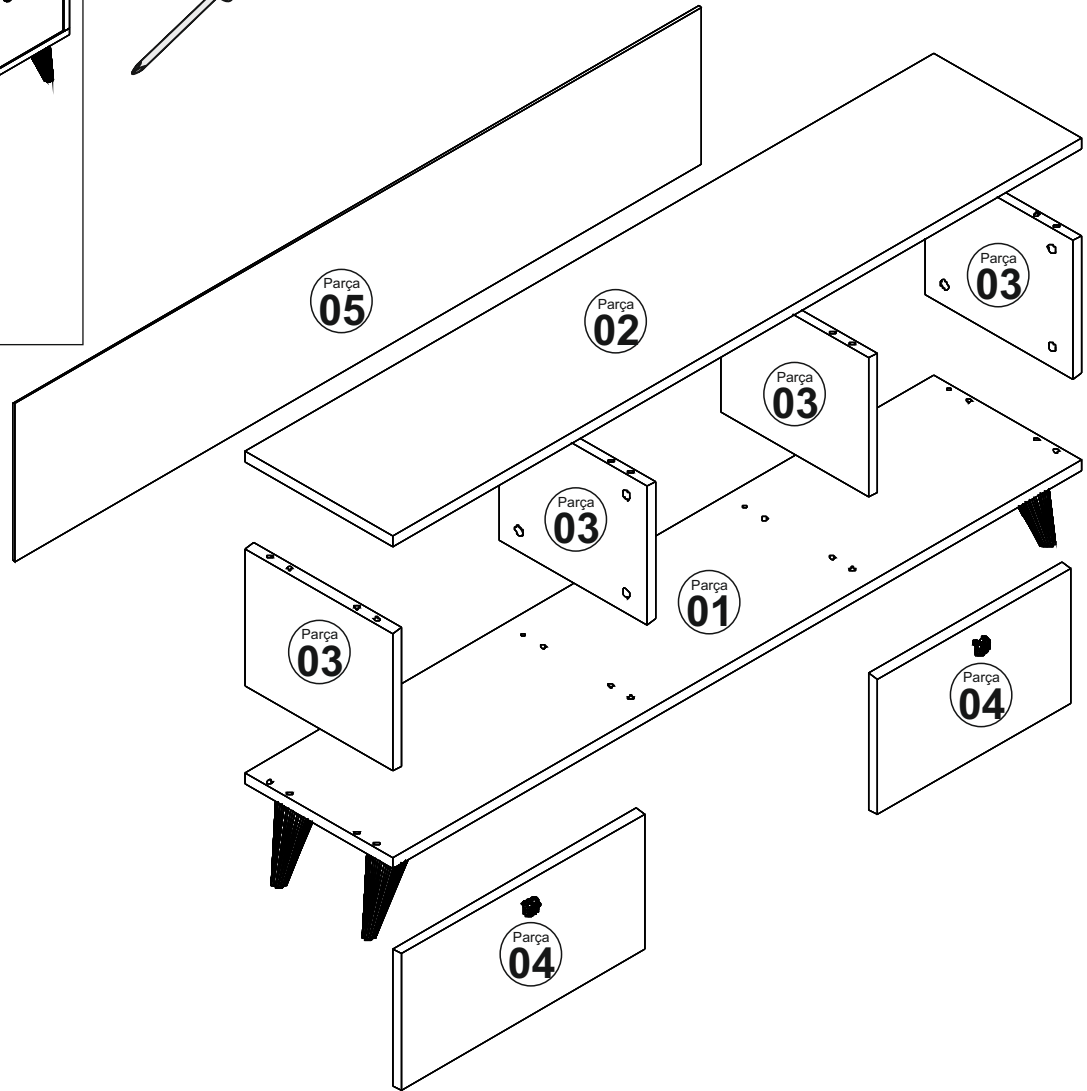
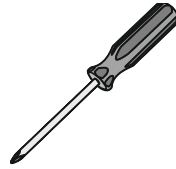
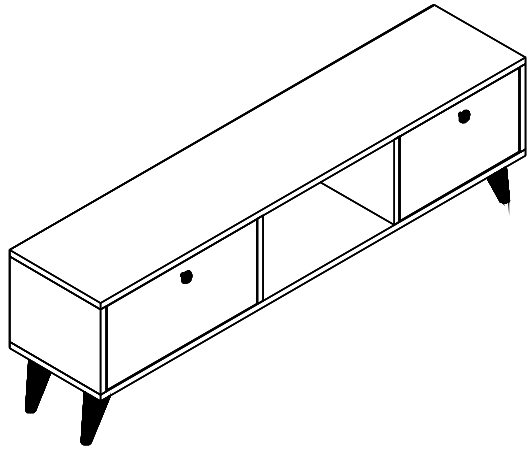


# ASSEMBLY INSTRUCTIONS

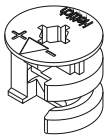
# SERENAT TV STAND

TOOLS REQUIRED FOR INSTALLATION OF THIS MODULE

S 1

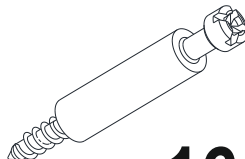


MINIFIX BODY



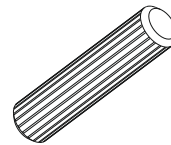
**A01** 16x

MINIFIX SHAFT



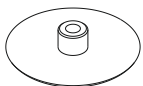
**A02** 16x

DOWEL



**A03** 16x

MINIFIX TAP



**A04** 16x

NAIL



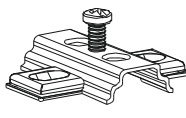
**A28** 12x

SCREW



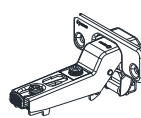
**A10** 32x

HINGE BASE



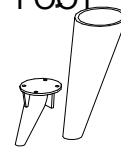
**A13** 4x

HINGE



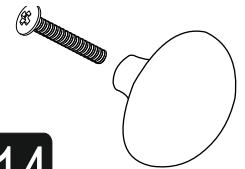
**A12** 4x

FOOT



**A15** 4x

HANDLE + SCREW



**A14** 2x

This product that you have purchased has been subjected to all tests and controls by us before reaching the words. In this case, it is possible for some parts to be damaged during transportation. If you encounter such a situation, we will not send the entire product back. We only store the damaged part. While sterilizing the required part, define the part exactly by looking at the service card. The missing part will be sent to you as quickly as possible. Before starting the assembly, check all parts and accessories that come out of the according to boxes the list. Begin assembly after you have determined that the parts and accessories are complete and intact. Before starting the assembly, clean each part with a damp cloth. If you have purchased more than one product, switch to another product after assembling one product in order not to cause any confusion. Do not rub the products for any time. Lift and disassemble the product and move it with at least one foot. Carry the product with a package for long distance transportation. It is very easy to clean the surfaces of your furniture you have bought. It is sufficient to wipe with a damp soapy cloth or other household cleaners. Since furniture is affected by extreme heat, cold and humidity, do not contact your furniture directly with these factors. Do not use your furniture out of its purpose.

