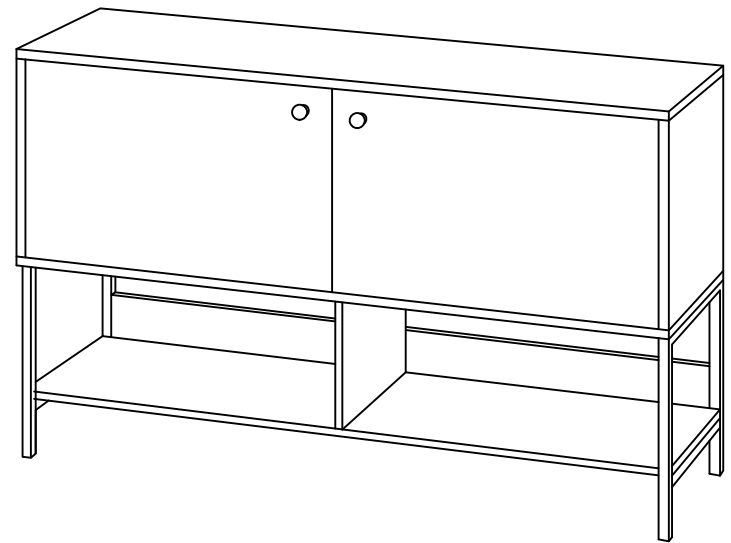
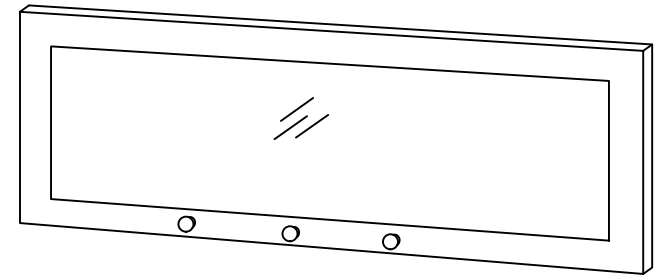
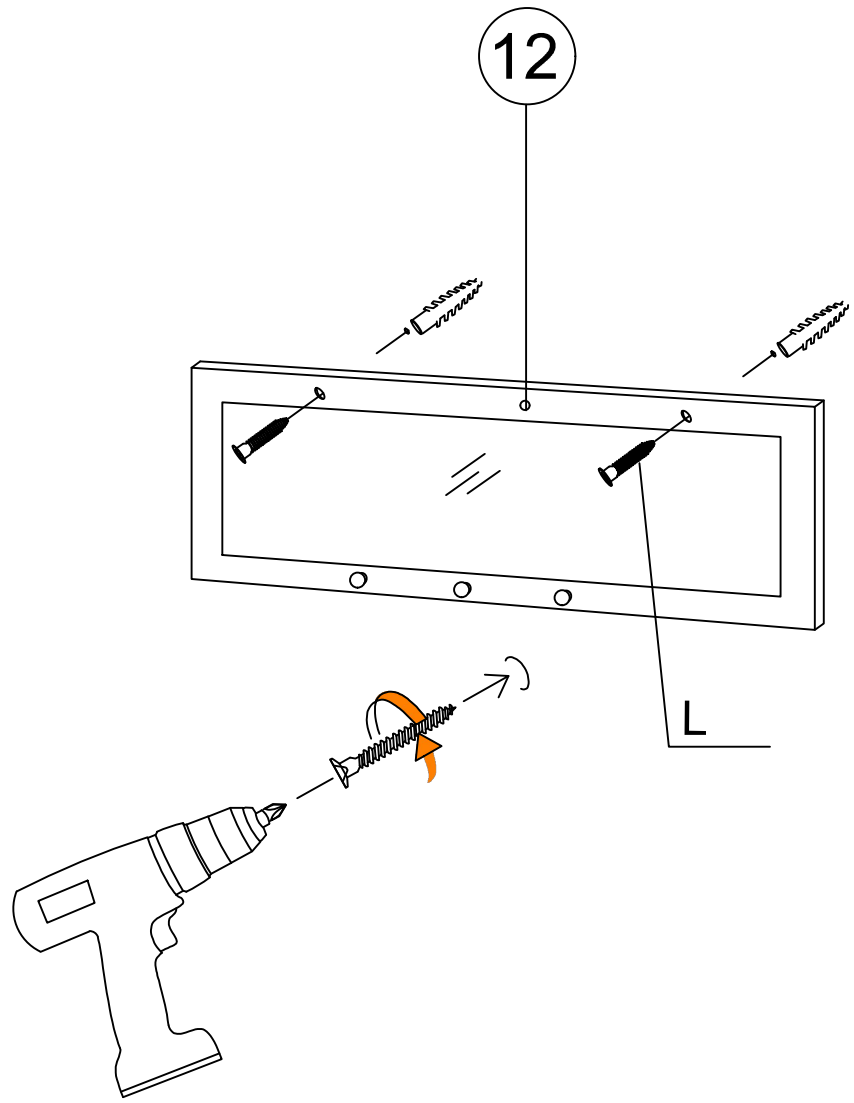
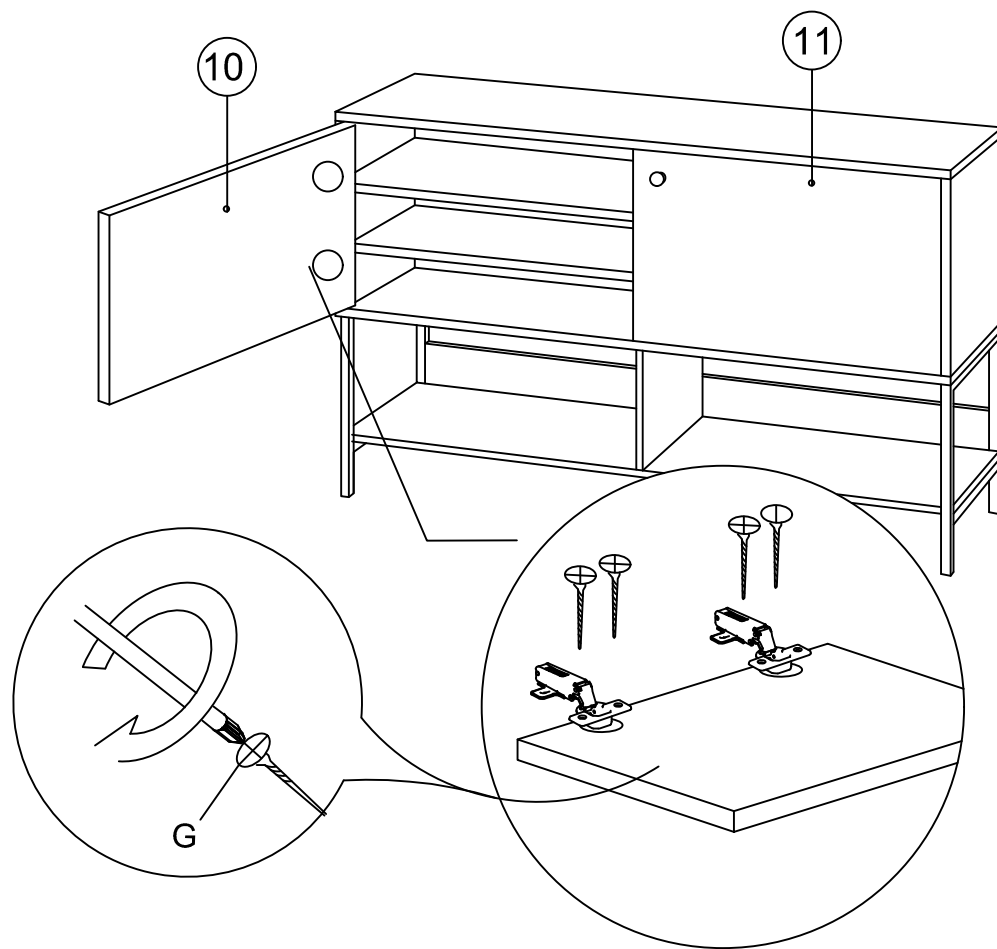
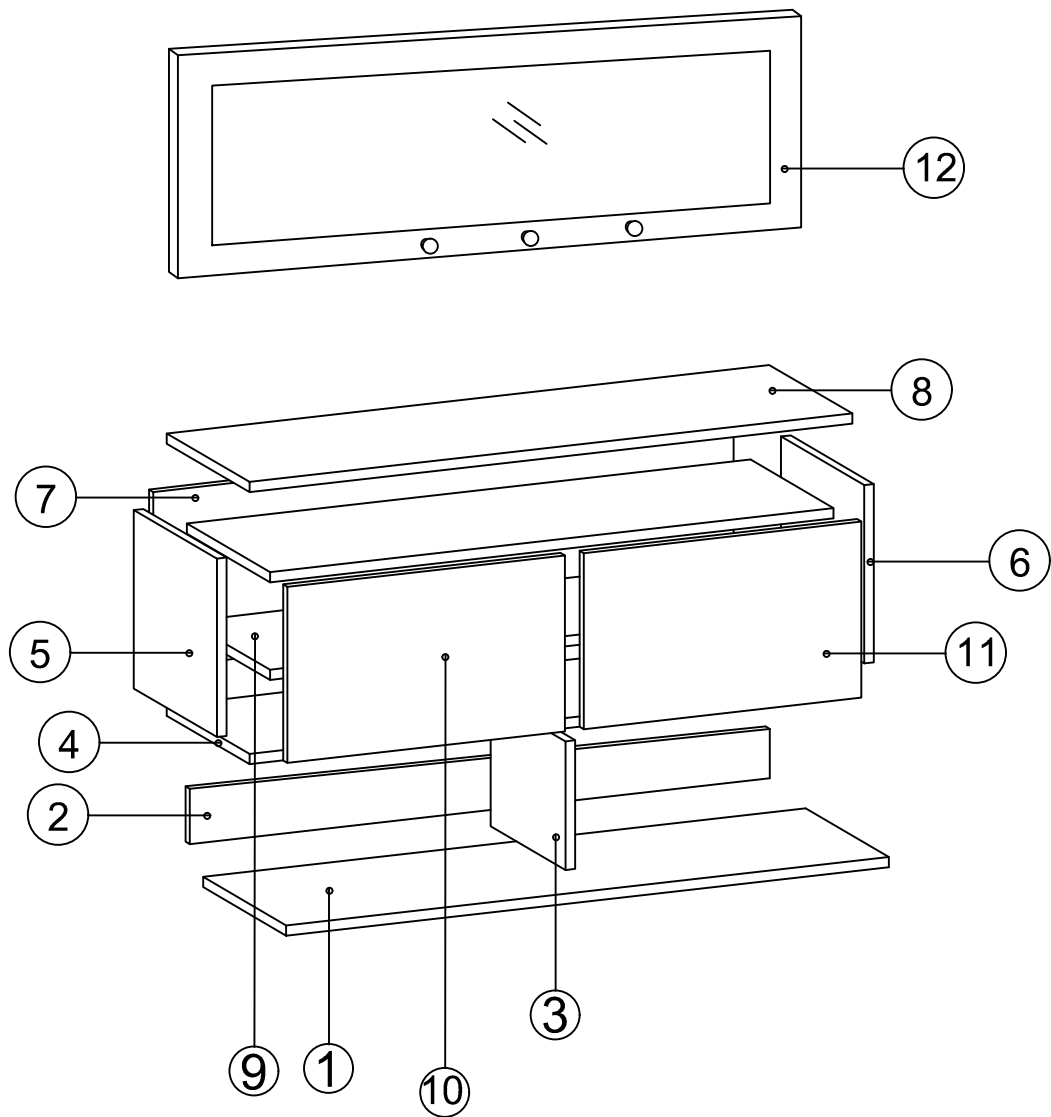
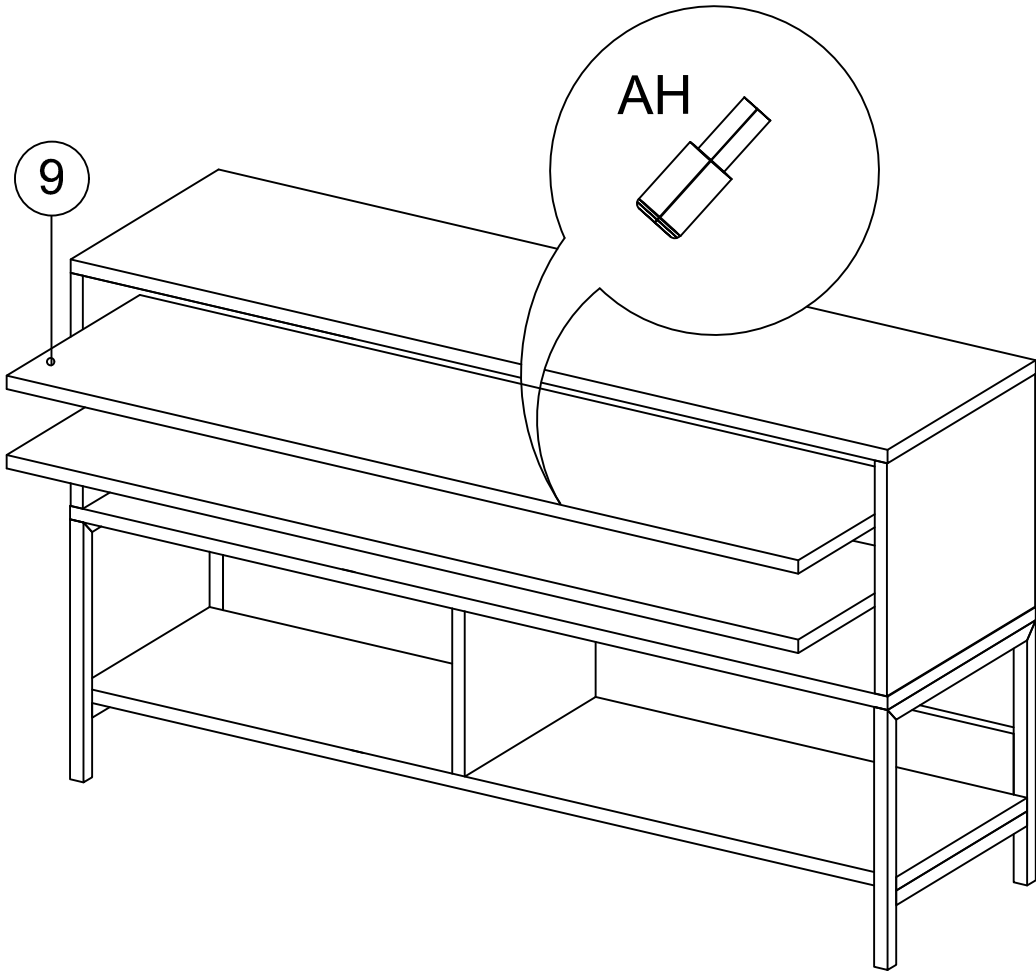


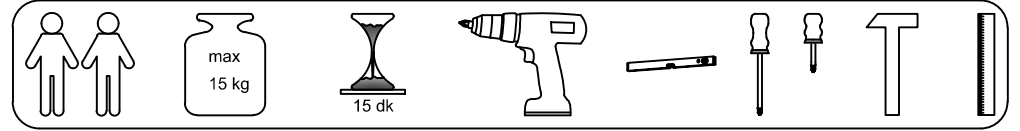
DEC20052 BLASS








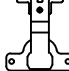












MATERIALS



 X 13	 X 13	 X 13	 X 13	 X 22	 X 5
A	B	C	D	G	O
MINIFIX GIB	MINIFIX BODY	MIN.STOPPER	DOWEL	3,5 x 18 SCREW	HANDLE SCREW
 X 1	 X 4	 X 8	 X 6	 X 10	 X 5
P	S	AH	AJ	N	R
ALLEN KEY	HINGE (Crank 0)	SHELF BUTTON	PLASTIC JOINING	METRIC SCREW	HANDLE
 X 2	 X 2				
L	AK				
5x80 SCREW	WALL PLUG				

DEC20052 BLASS

NO	NAME	PIECE	NO	İSİM	ADET
1	BOTTOM PART	1 PC	1	ALT TABLA	1 ADET
2	BACK PART	1 PC	2	ARKA PARÇA	1 ADET
3	MIDDLE PART	1 PC	3	ORTA DİKME	1 ADET
4	BOTTOM PART	1 PC	4	ALT TABLA	1 ADET
5	LEFT PART	1 PC	5	SOL YAN DİKME	1 ADET
6	RIGHT PART	1 PC	6	SAĞ YAN DİKME	1 ADET
7	BACK PART	1 PC	7	ARKALIK 3mm	1 ADET
8	TOP PART	1 PC	8	ÜST TABLA	1 ADET
9	SHELF	2 PCS	9	RAF	2 ADET
10	LEFT COVER PART	1 PC	10	SOL KAPAK	1 ADET
11	RIGHT COVER PART	1 PC	11	SAĞ KAPAK	1 ADET
12	MIRROR PART	1 PC	12	AYNA PANELİ	1 ADET

