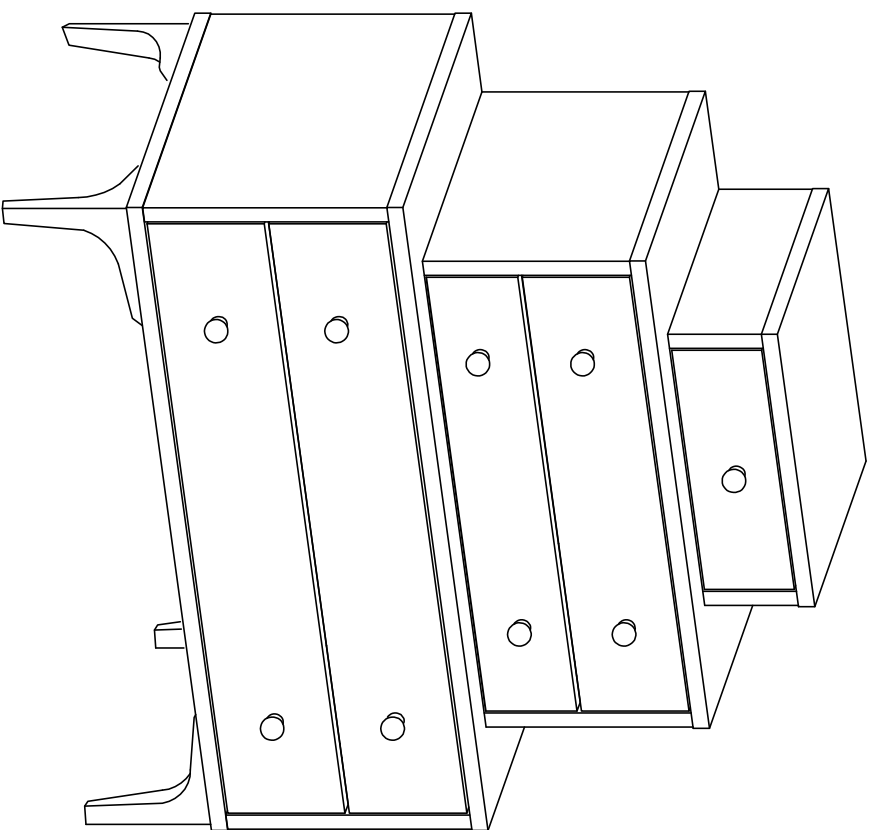
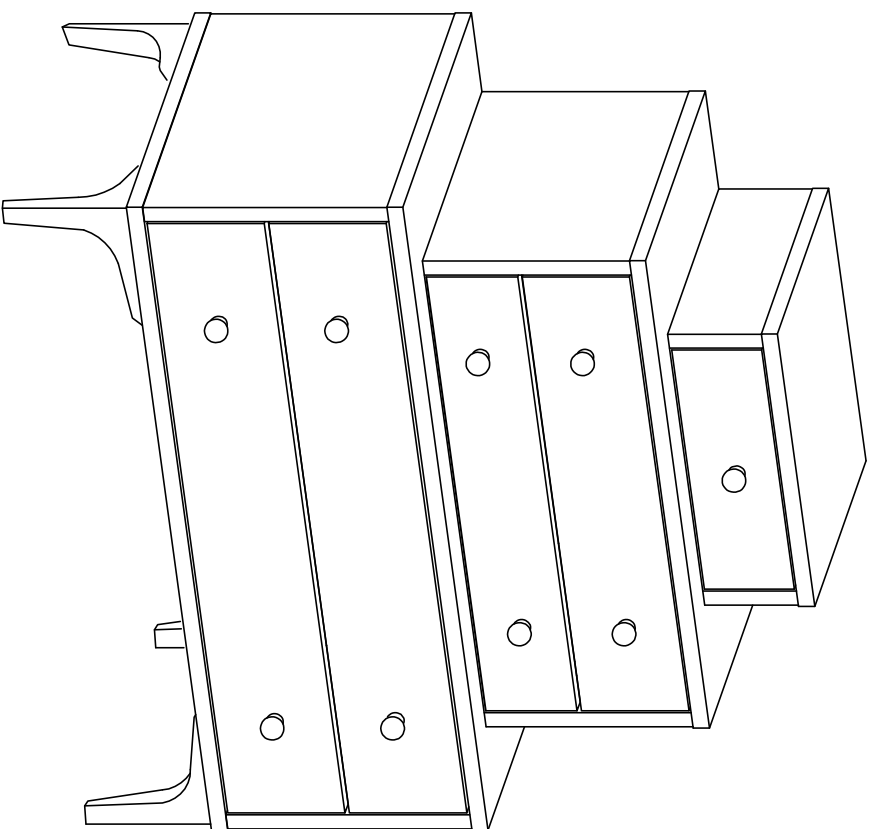
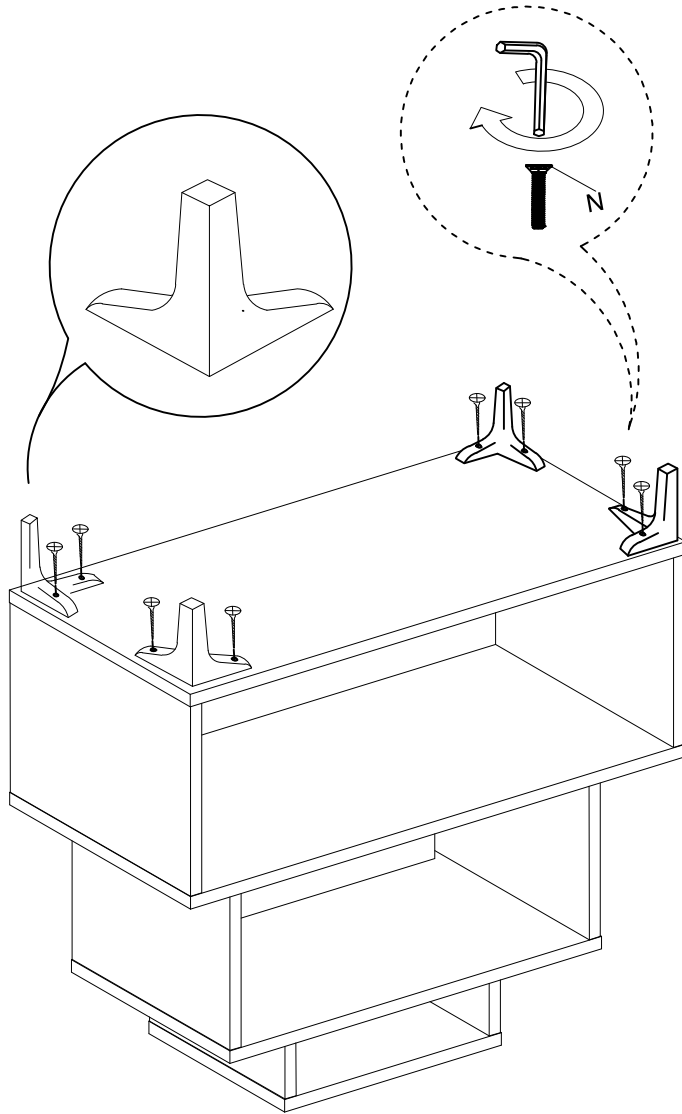


DEC20010/2 GOBI

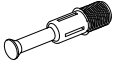













DECORMET


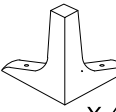


MATERIALS



					
X 54	X 54	X 54	X 34	X 16	X 8
A	B	C	D	G	H (M4x15)
MINIFIX GIB	MINIFIX BODY	MIN.STOPPER	DOWEL	3.5 x 18 SCREW	DRAWER SCREW

					
X 4	X 16	X 9	X 1	X 9	X 2
M	N	O	P	R	V
RIBBON DOWEL	METRIC SCREW	HANDLE SCREW	ALLEN KEY	HANDLE	278MM DRAWER

	
X 2	X 4
Z	BN
342MM DRAWER	170mm PVC LEG

DEC20010/2 GOBİ

NO	NAME	PIECE	NO	ISIM	MIKTAR
1-8	BOTTOM PART	2 PCS	1-8	ALT TABLA	2 Adet
2-6-10	LEFT PART	3 PCS	2-6-10	SOL YAN	3 Adet
3-7-11	RIGHT PART	3 PCS	3-7-11	SAĞ YAN	3 Adet
4-12	TOP PART	2 PCS	4-12	ÜST TABLA	2 Adet
5-9-13	BACK PART	3 PCS	5-9-13	ARKALIK	3 Adet
14-15-16	DRAWER COVER	5 PCS	14-15-16	ÇEKMECE ÖNÜ	5 Adet
17-21-25	DRAWER LEFT SIDE PART	5 PCS	17-21-25	ÇEKMECE SOL YANLARI	5 Adet
18-22-26	DRAWER RIGHT SIDE PART	5 PCS	18-22-26	ÇEKMECE SAĞ YANLARI	5 Adet
5-9-13	DRAWER BACK PART	3 PCS	5-9-13	ÇEK. ARKA PARÇA	3 Adet
20-24-28	DRAWER BOTTOM PART	5 PCS	20-24-28	ÇEKMECE ALTLIĞI	5 Adet