
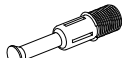
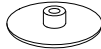

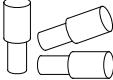

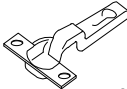

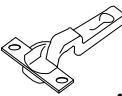
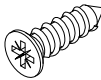
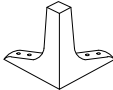
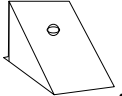



## MATERIALS



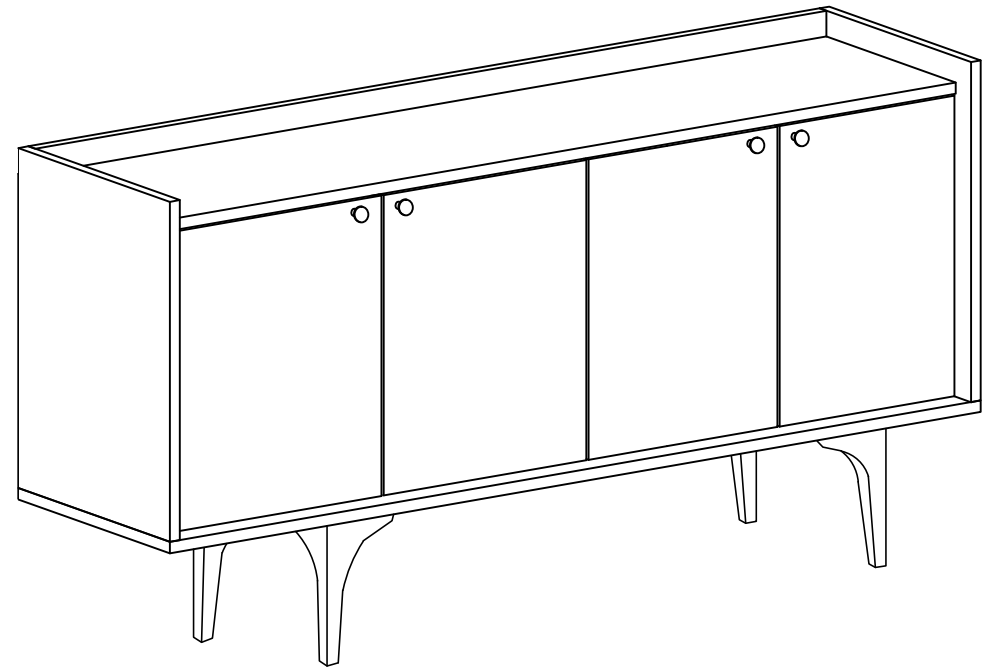
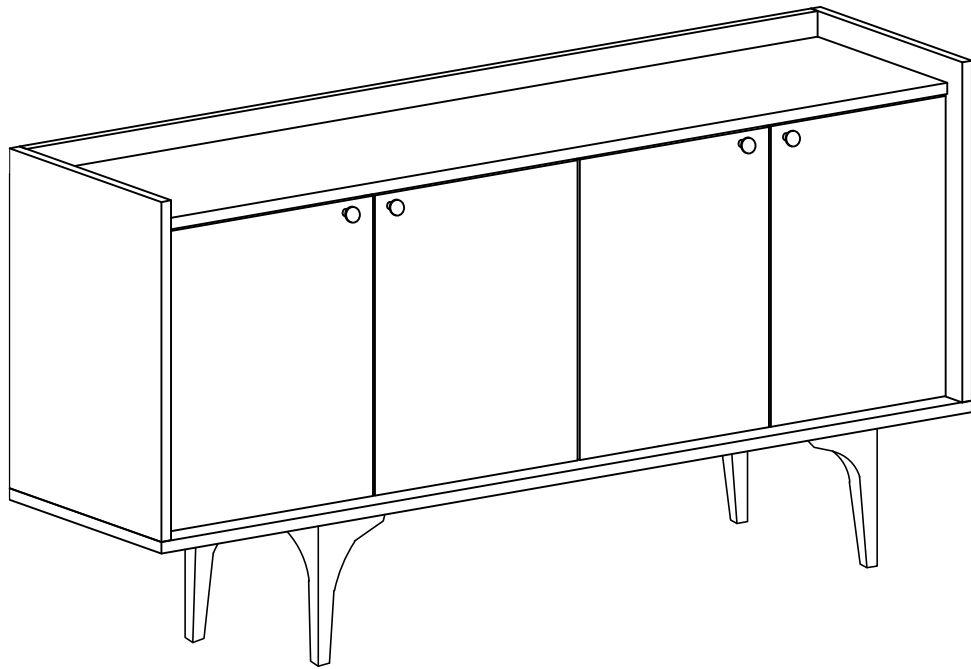
max.  
40 kg

15 min.

 x13	 x13	 x13	 x15	 x8	 x4	 x4
<b>B</b>	<b>A</b>	<b>C</b>	<b>D</b>	<b>AH</b>	<b>R</b>	<b>T</b>
MINIFIX BODY	MINIFIX GIB	MIN.STOPPER	DOWEL	SHELF BUTTON	HANDLE	HINGE (CRANK 7)
 X 12	 x4	 x36	 x4	 x4	 x4	
<b>EV</b>	<b>U</b>	<b>I</b>	<b>BN</b>	<b>AJ</b>	<b>O</b>	
4x35 SCREW	HINGE (CRANK 16)	3,5x18 SCREW	250 mm PVC LEG	PLASTIC JOINING	HANDLE SCREW	

NO	DEC0047 NAVI	PIECE
1	BOTTOM PART	1 PC
2	LEFT PART	1 PC
3	MIDDLE PART	1 PC
4	TOP PART	1 PC
5	MIDDLE PART	1 PC
6	RIGHT PART	1 PC
7	BACK PART	1 PC
8	SHELF PARTS	2 PCS
9	LEFT SIDE COVER PARTS	2 PCS
10	RIGHT SIDE COVER PARTS	2 PCS

DEC0047 NAVI



DECORMET