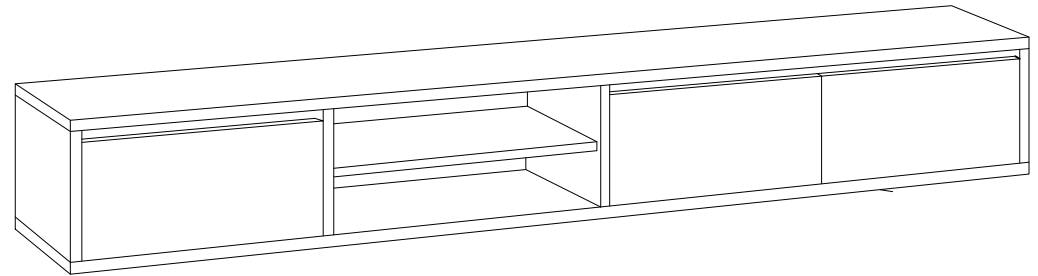
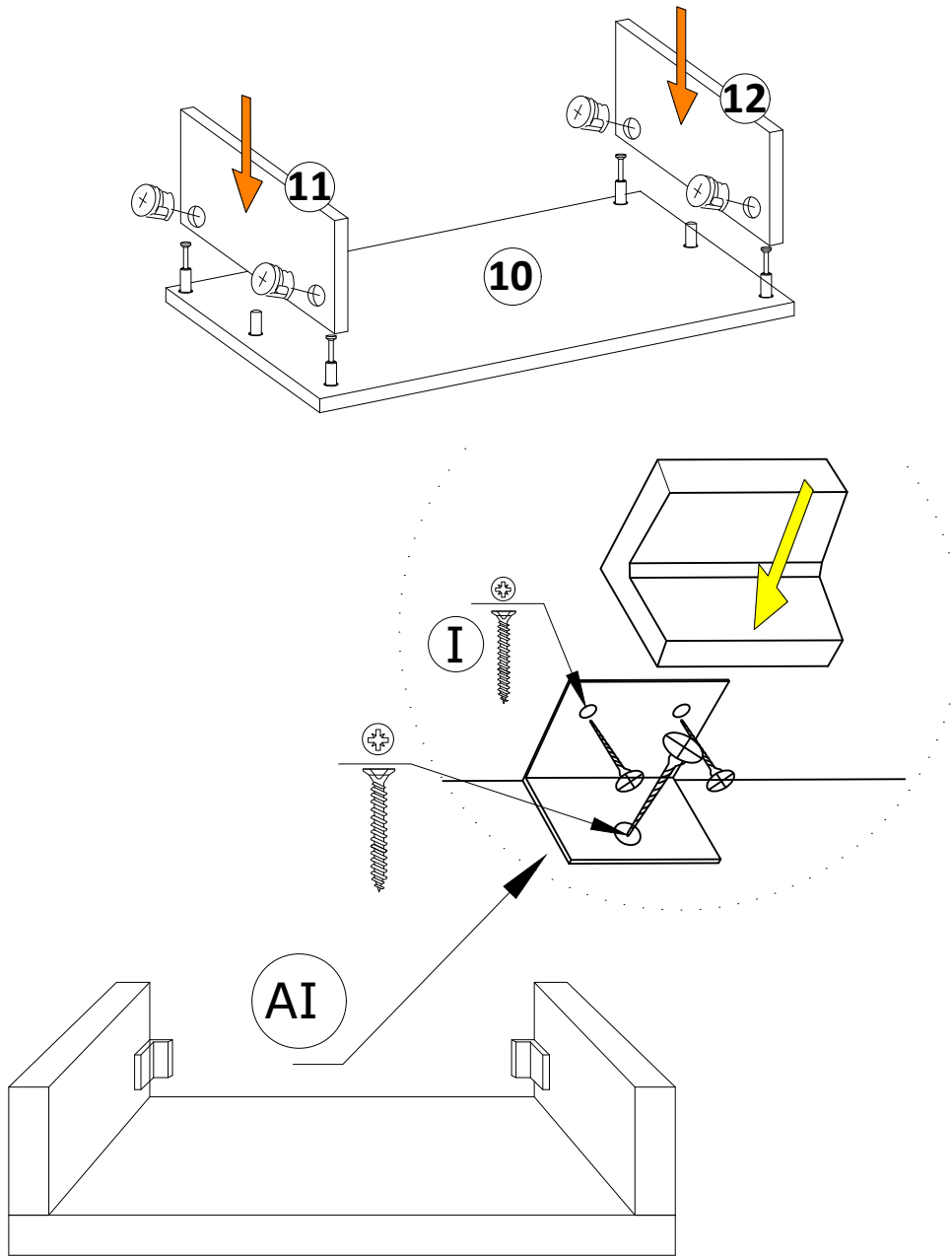
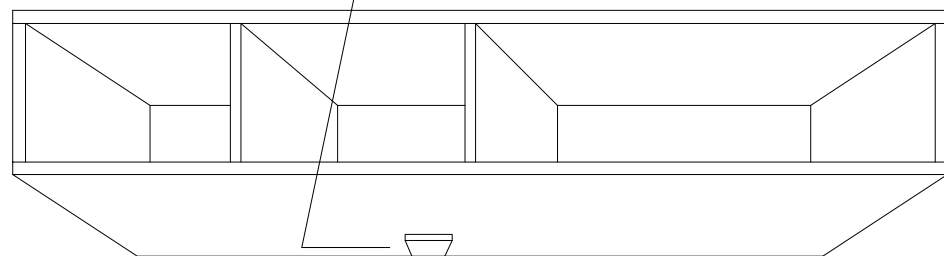
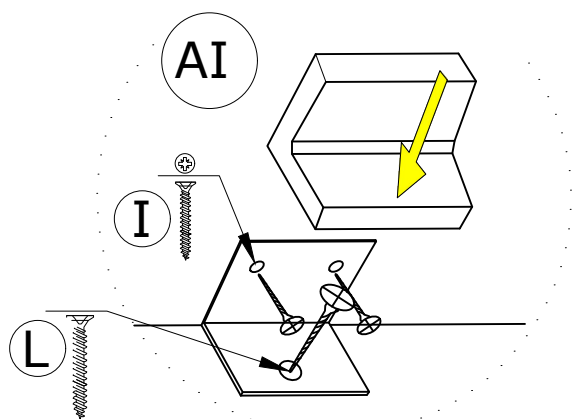
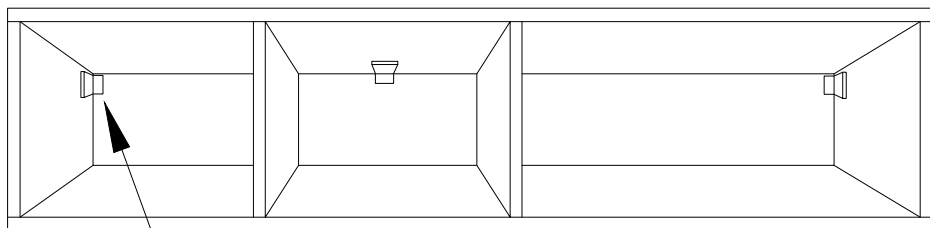


DEC0058 HEKA



DECORMET


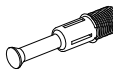
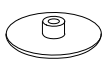

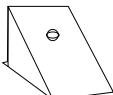

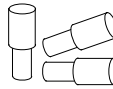


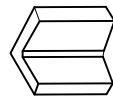



AI

MATERIALS



15 min.

 x20	 x20	 x20	 x18	 x4	 X 6
B	A	C	D	AJ	AK
MINIFIX BODY	MINIFIX GIB	MIN.STOPPER	DOWEL	PLASTIC JOINING	WALL PLUG
 x7	 x6	 x40	 x6	 x6	
AH	U	I	AI	L	
SHELF BUTTON	HINGE (CRANK 16)	3,5x18 SCREW	L IRON MITER	5x80 SCREW	

NO	DEC0058 HEKA	PIECE
1	BOTTOM PART	1 PC
2	LEFT PART	1 PC
3	MIDDLE PART	1 PC
4	MIDDLE PART	1 PC
5	RIGHT PART	1 PC
6	TOP PART	1 PC
7	BACK PART	1 PC
8	SHELF PART	1 PC
9	COVER PARTS	3 PCS
10	SHELF / BOTTOM PART	1 PC
11	SHELF / LEFT PART	1 PC
12	SHELF / RIGHT PART	1 PC

