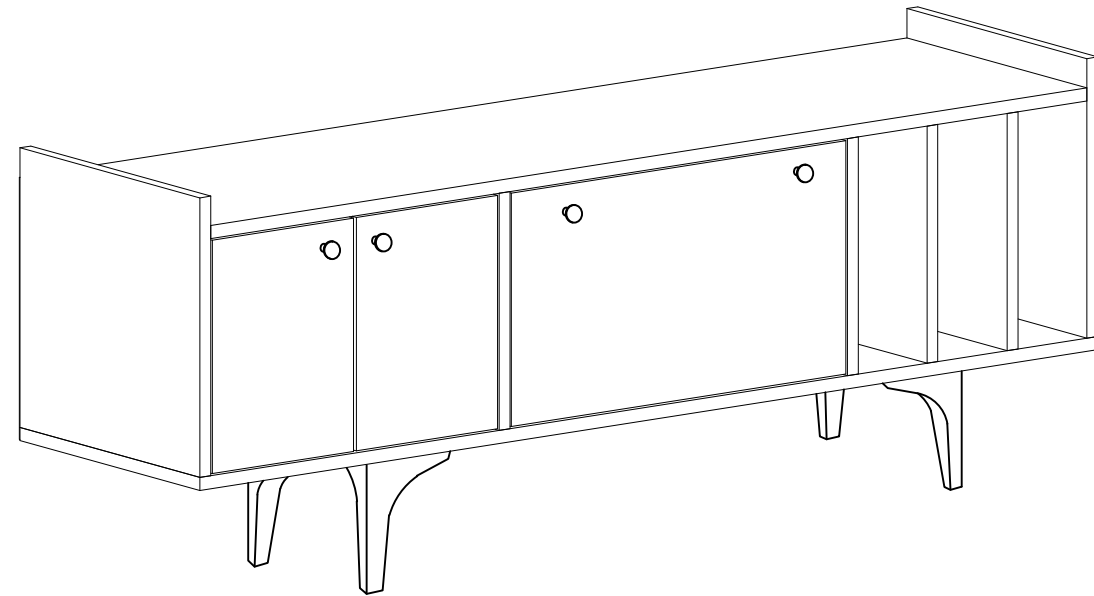
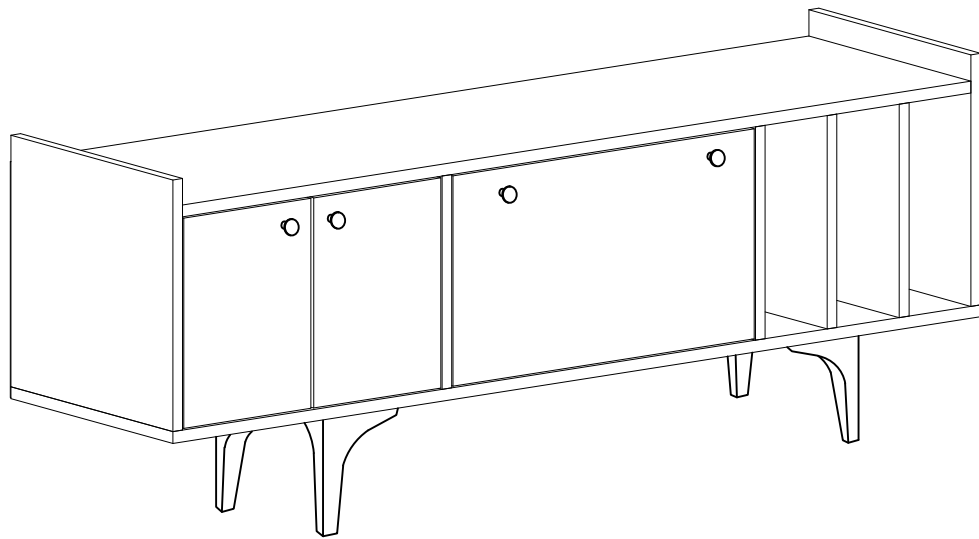
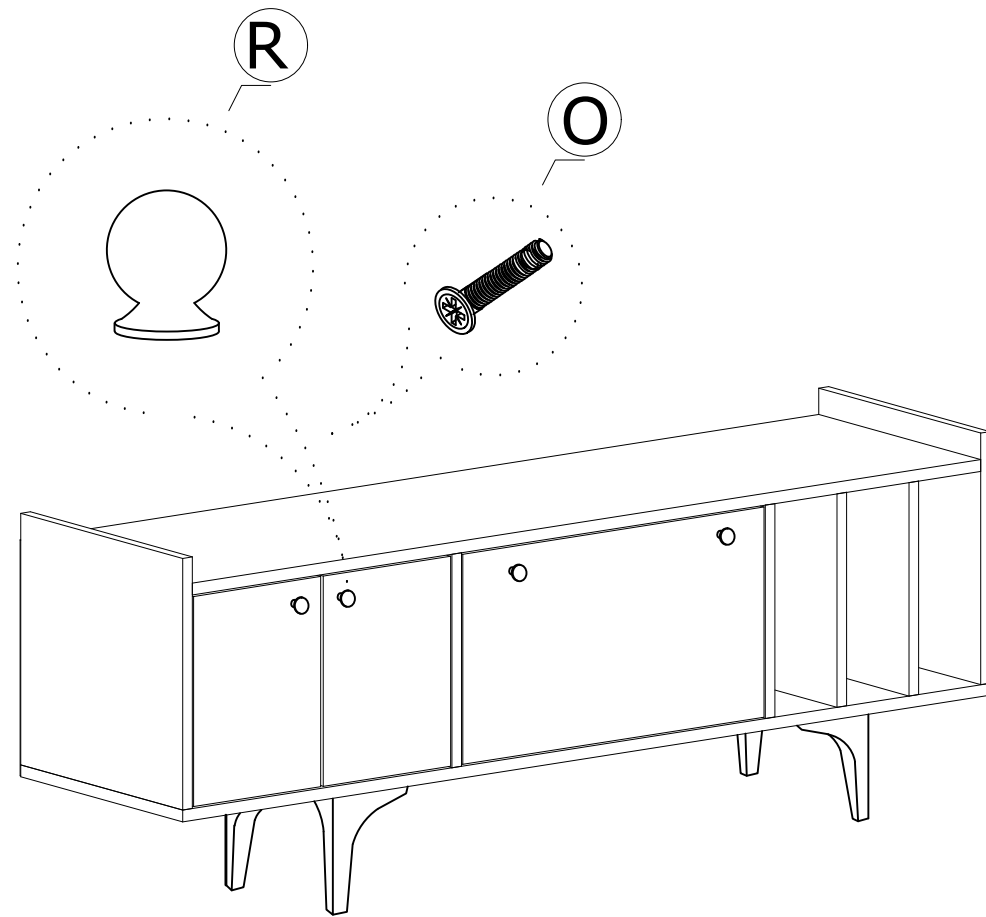
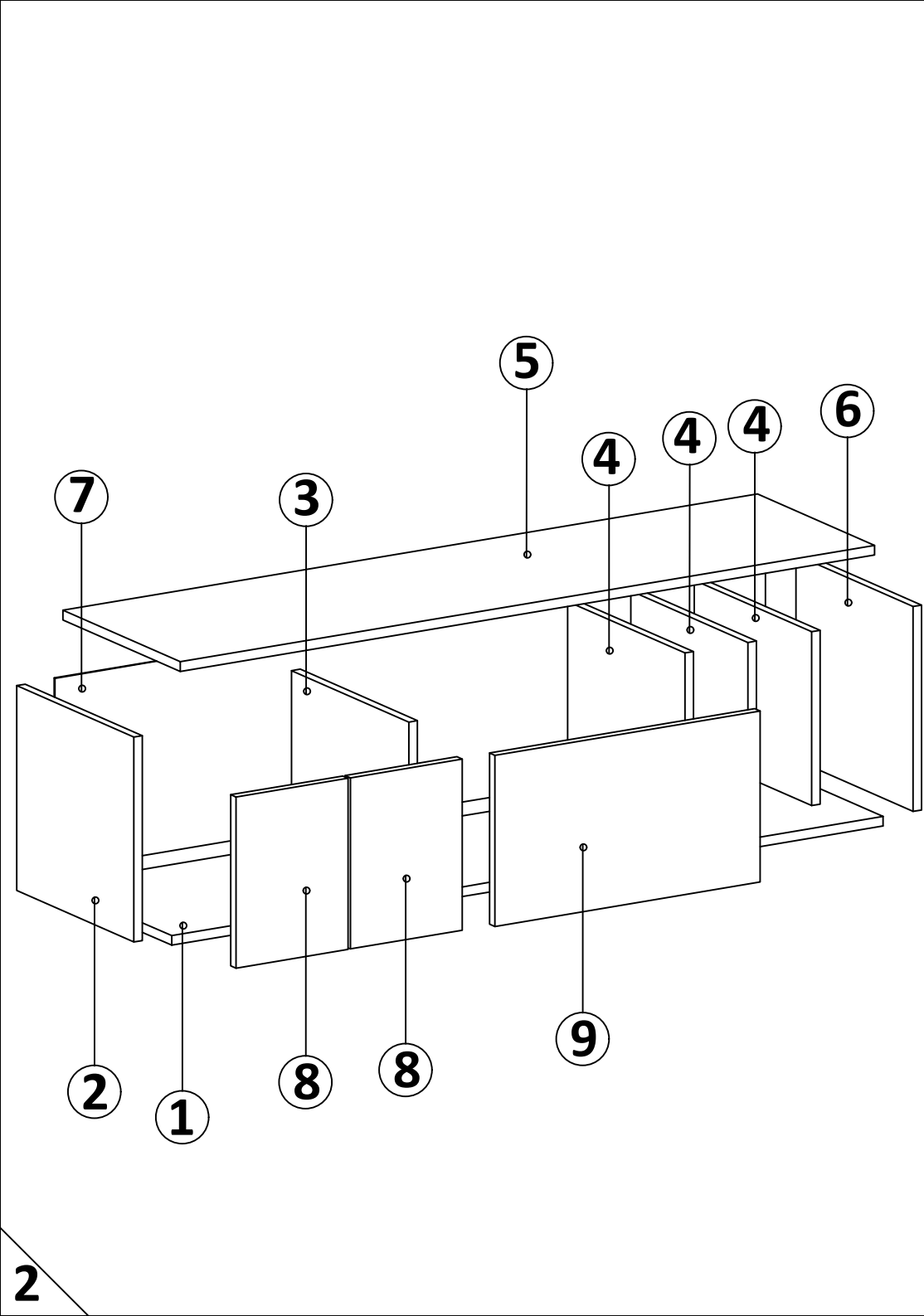
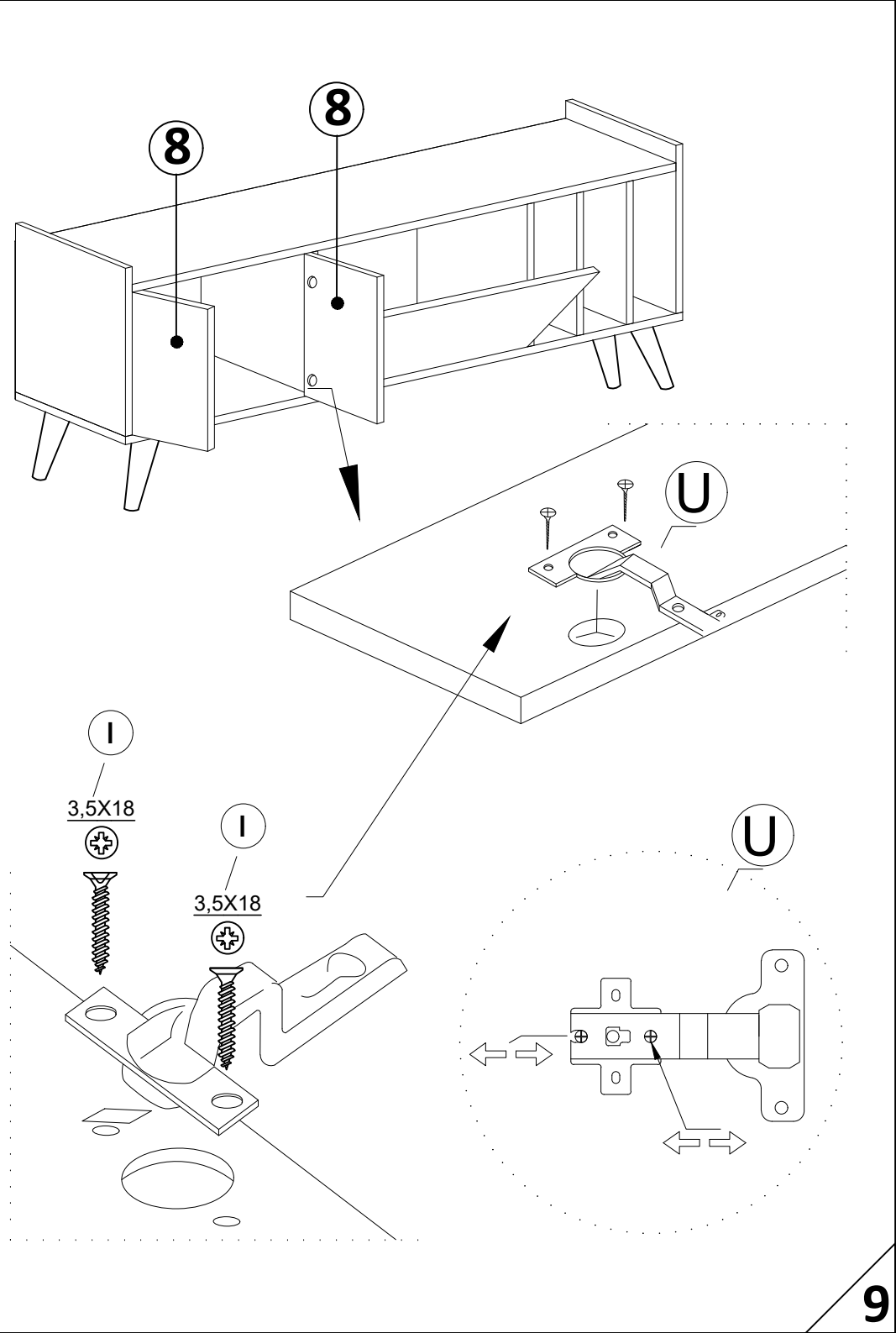
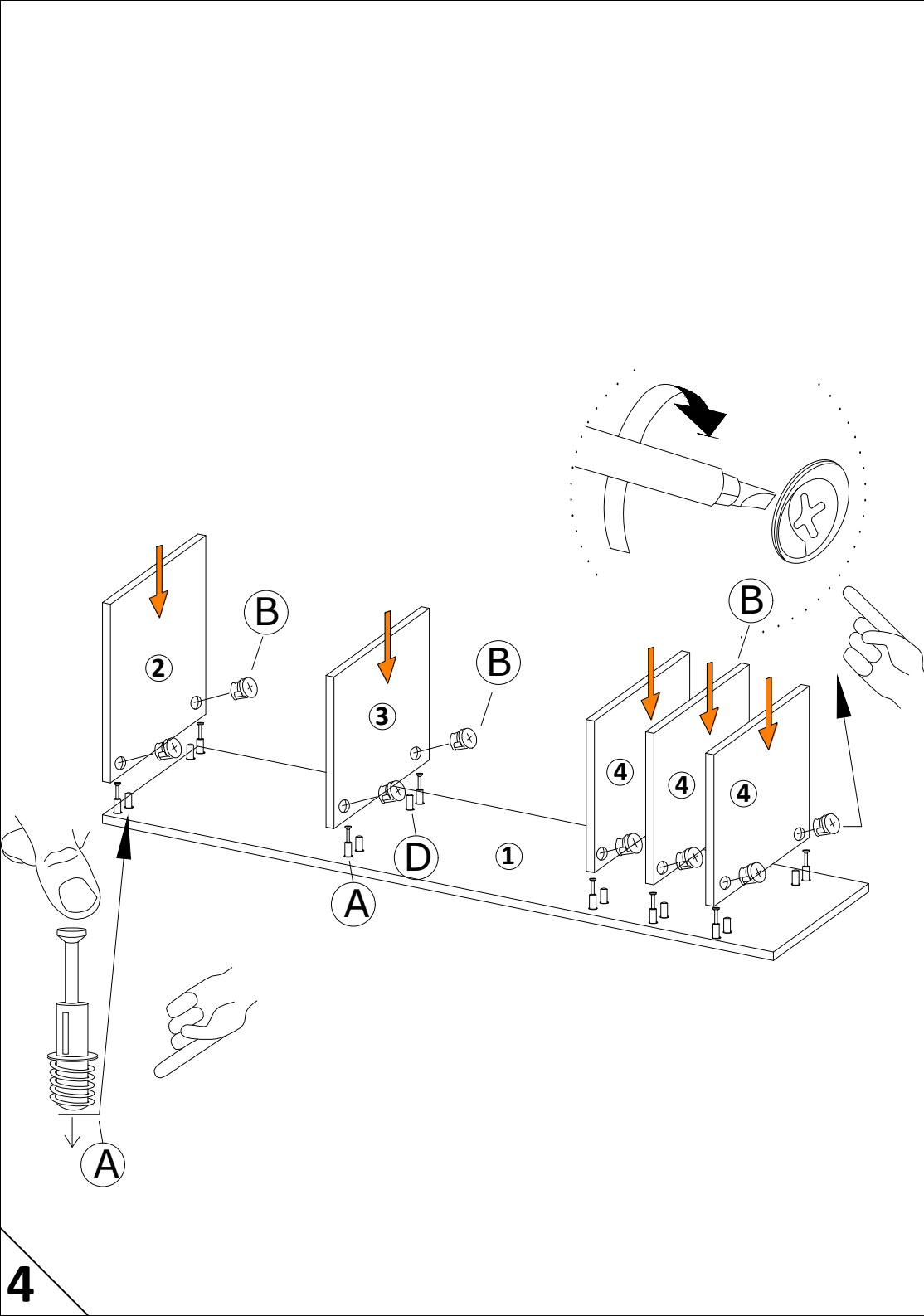


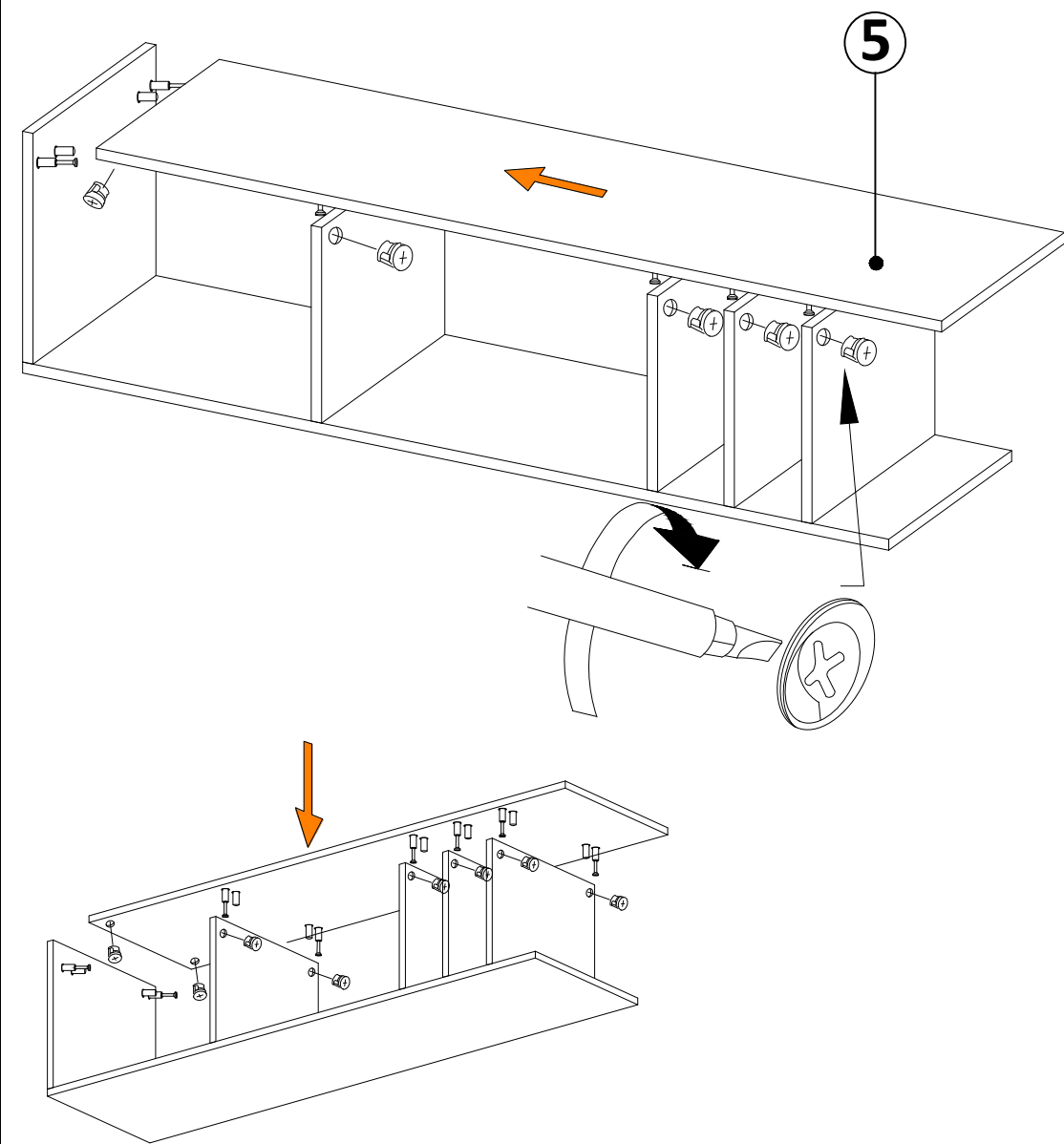
DEC0030 ANTARES



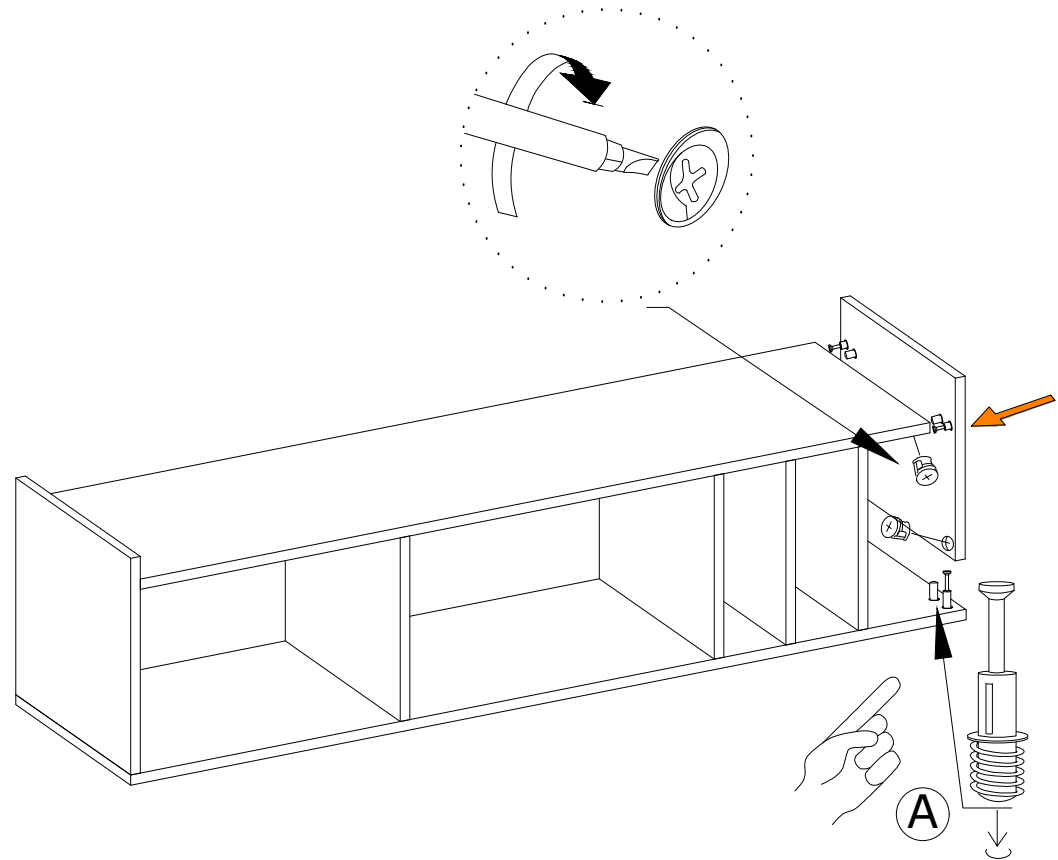
DECORMET



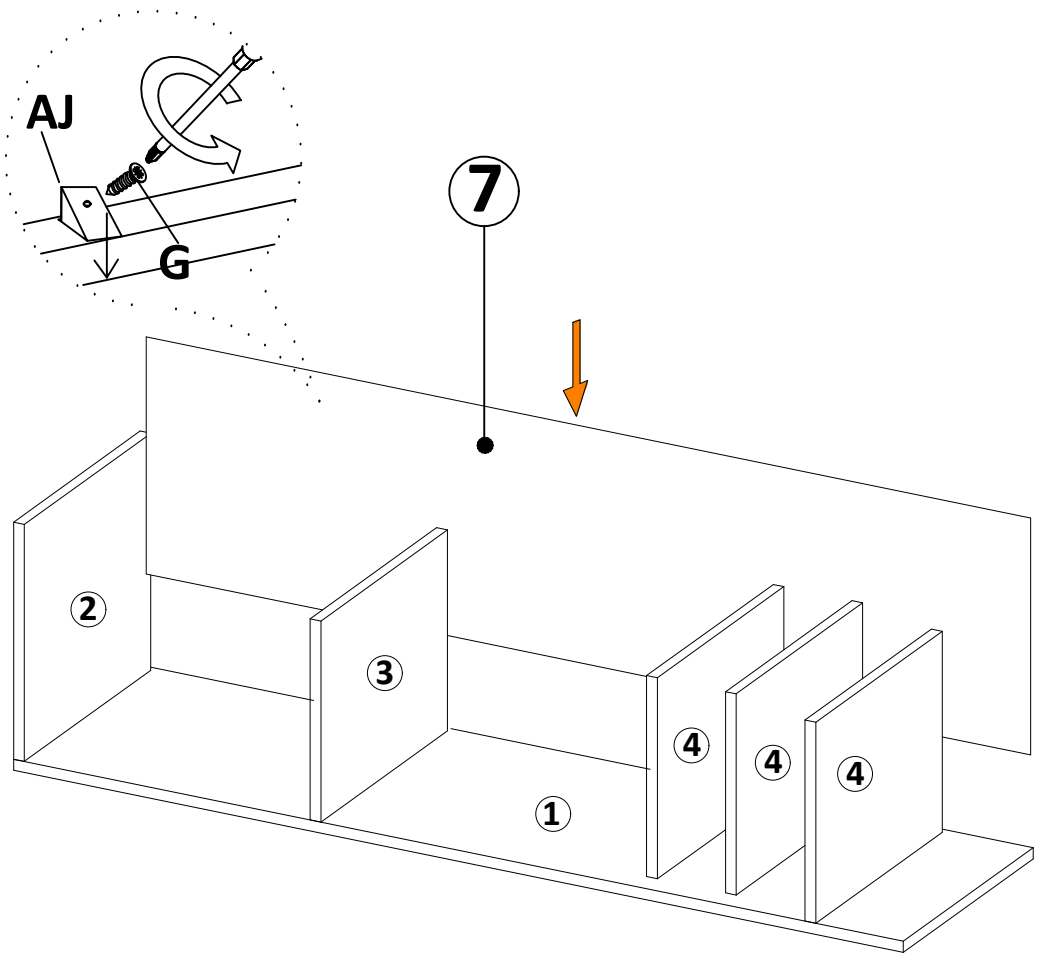
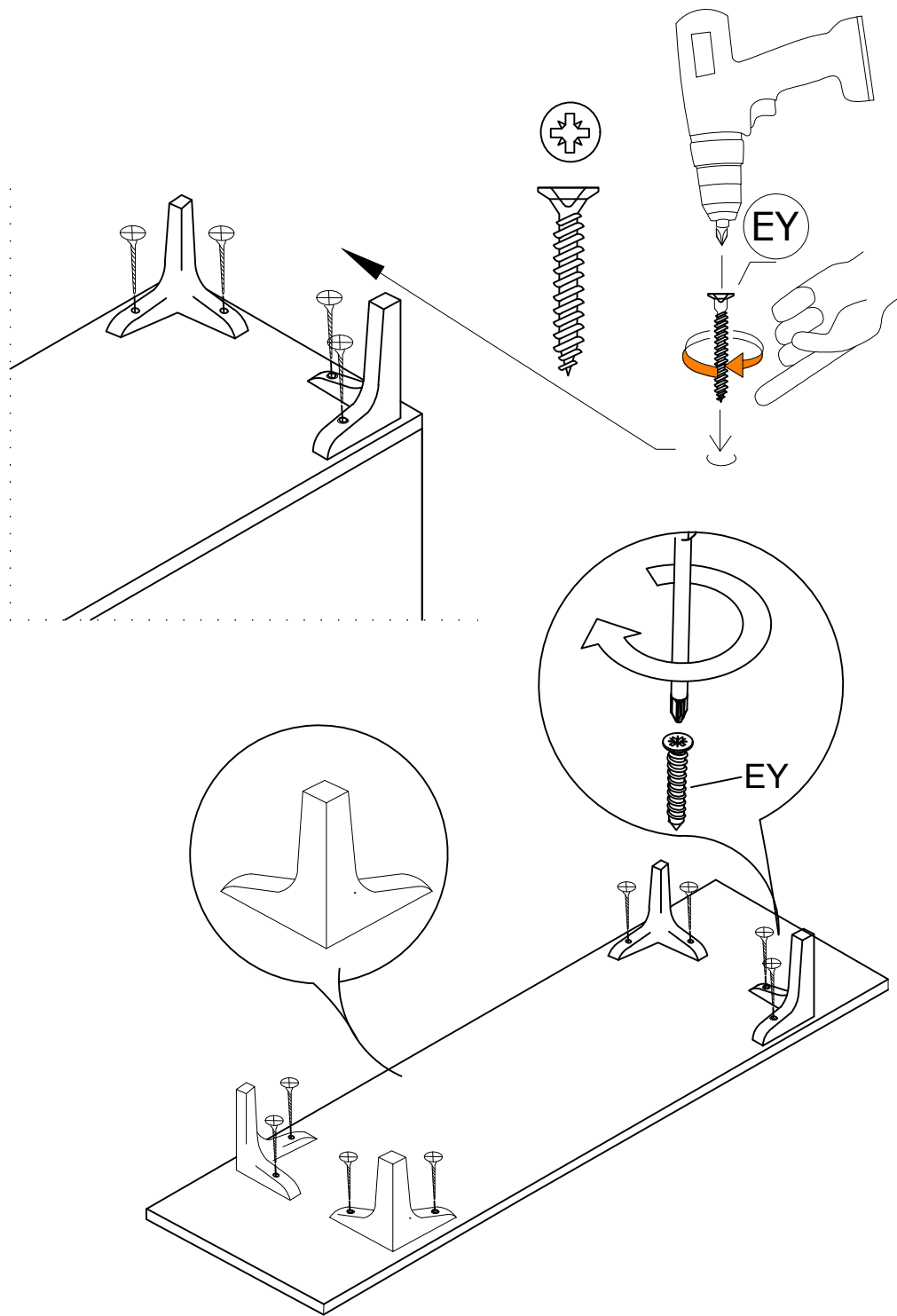


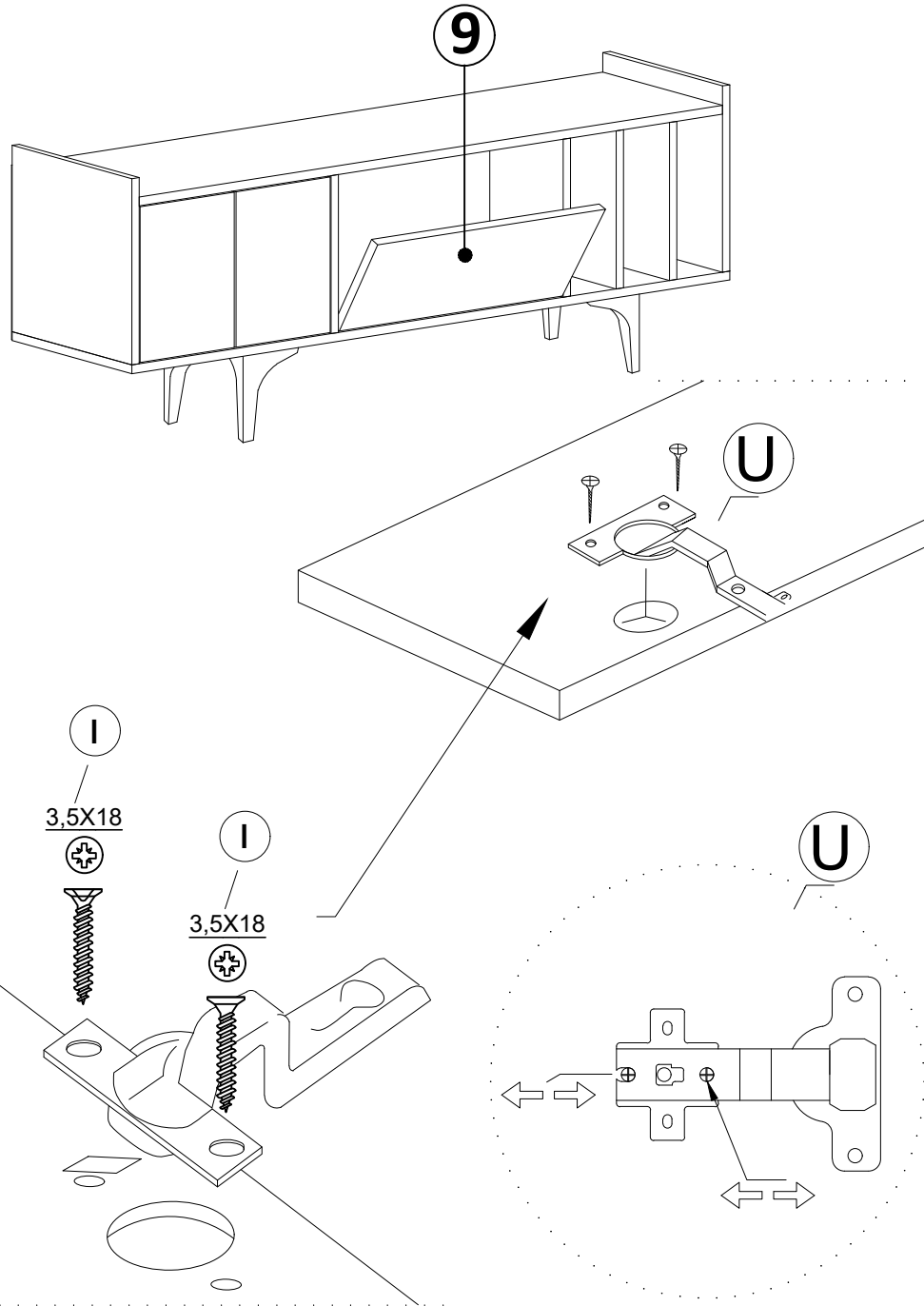


6



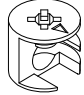
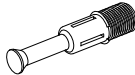


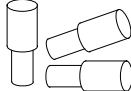
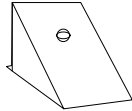


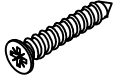
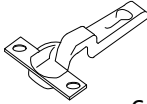
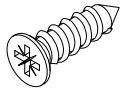
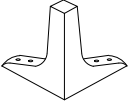
7





MATERIALS



 x24	 x24	 x24	 x24	 x3	 x4
B	A	C	D	AH	AJ
MINIFIX BODY	MINIFIX GIB	MIN.STOPPER	DOWEL	SHELF BUTTON	PLASTIC JOINING
 x6	 x6	 X 16	 x6	 x28	 x4
O	R	EY	U	I	BN
HANDLE SCREW	HANDLE	4x30 SCREW	HINGE (CRANK 16)	3,5x18 SCREW	170 mm PVC LEG

NO	NAME	PIECE
1	BOTTOM PART	1 PC
2	LEFT PART	1 PC
3	MIDDLE PART	1 PC
4	MIDDLE PART	3 PCS
5	TOP PART	1 PC
6	RIGHT PART	1 PC
7	BACK PART	1 PC
8	COVER PARTS	2 PCS
9	COVER PART	1 PC