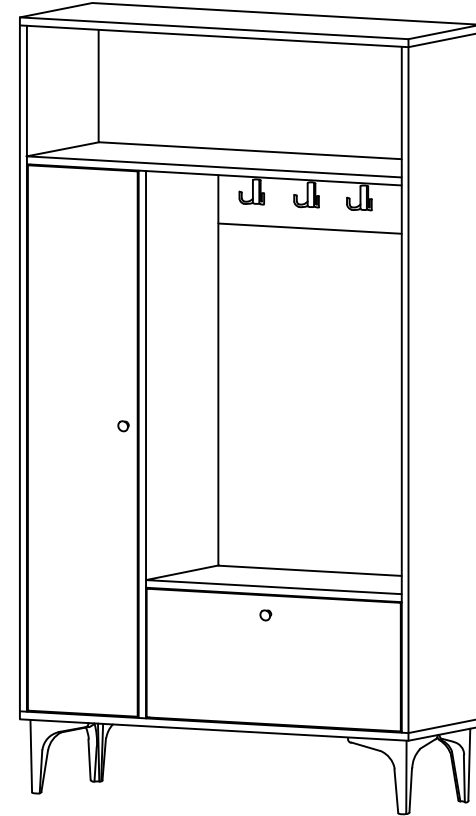
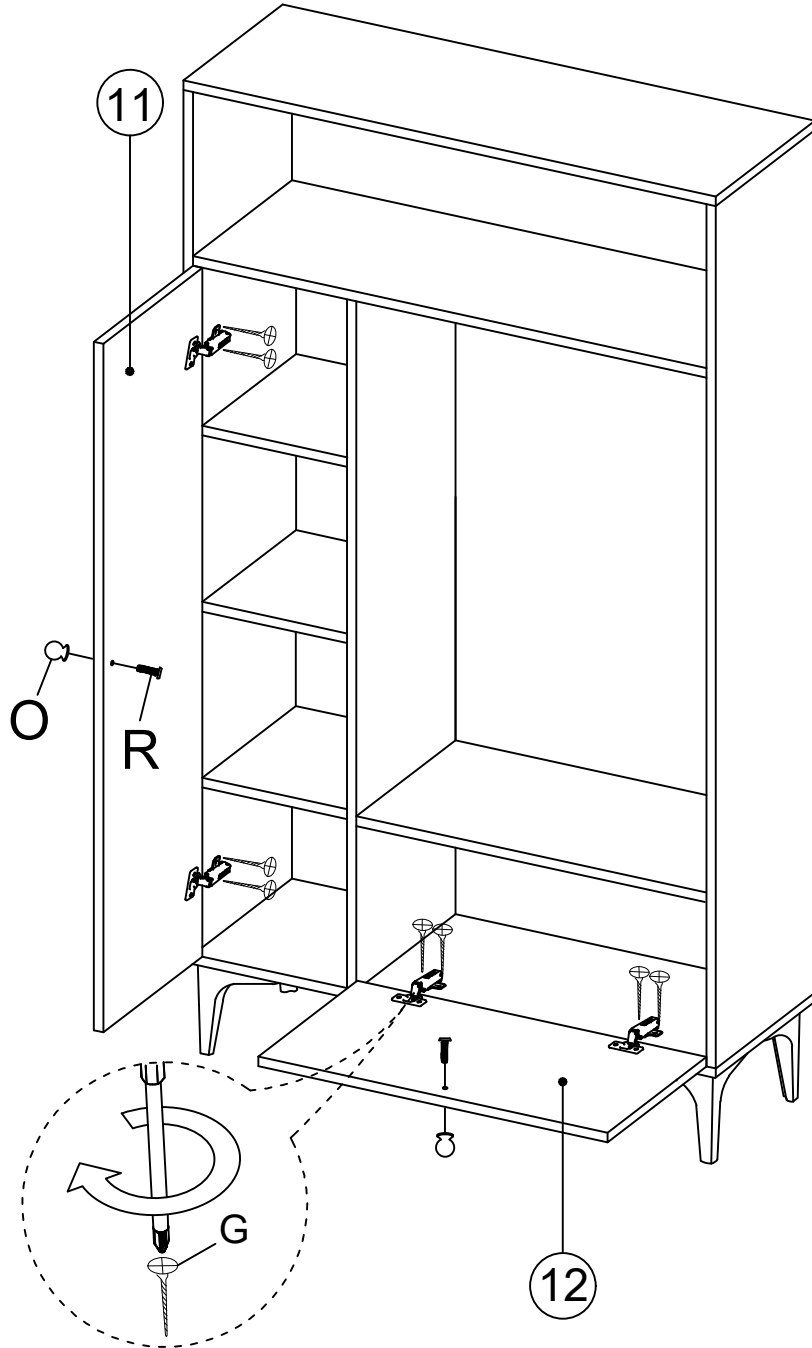
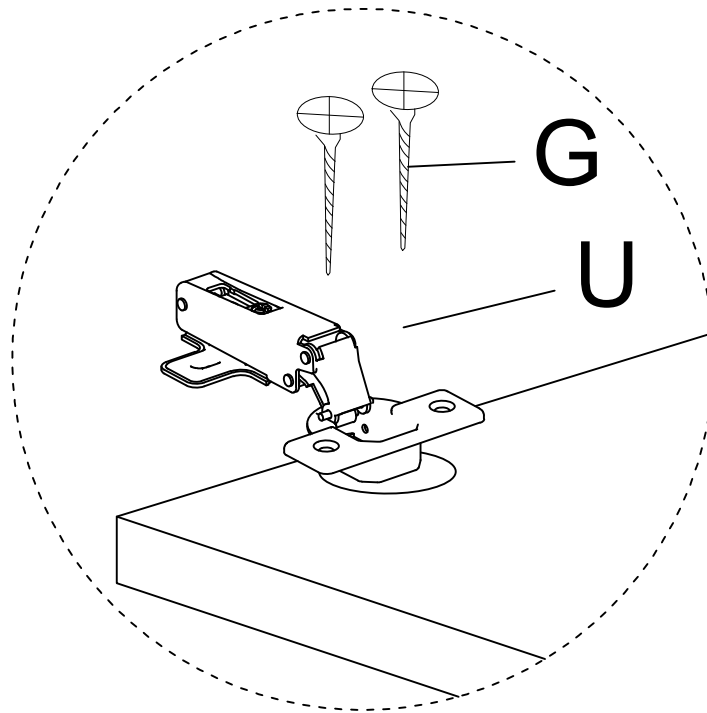
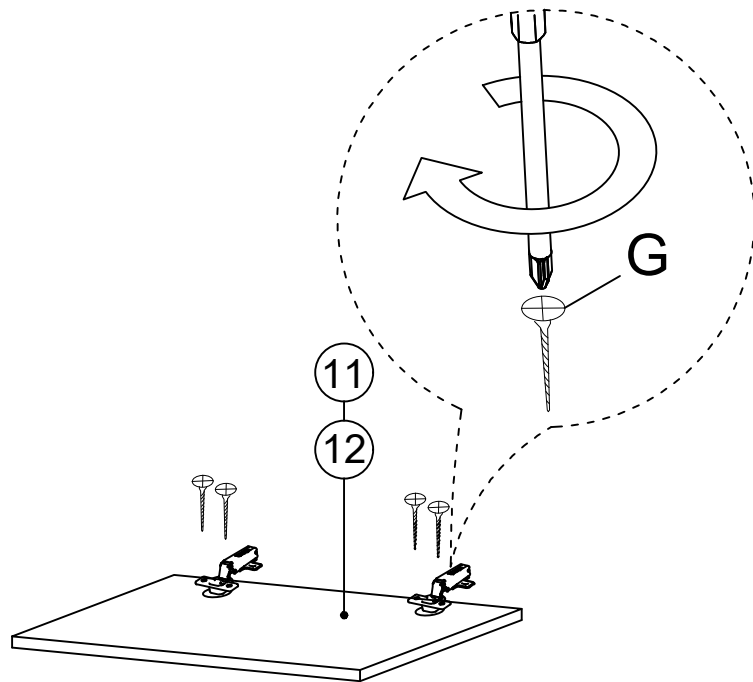
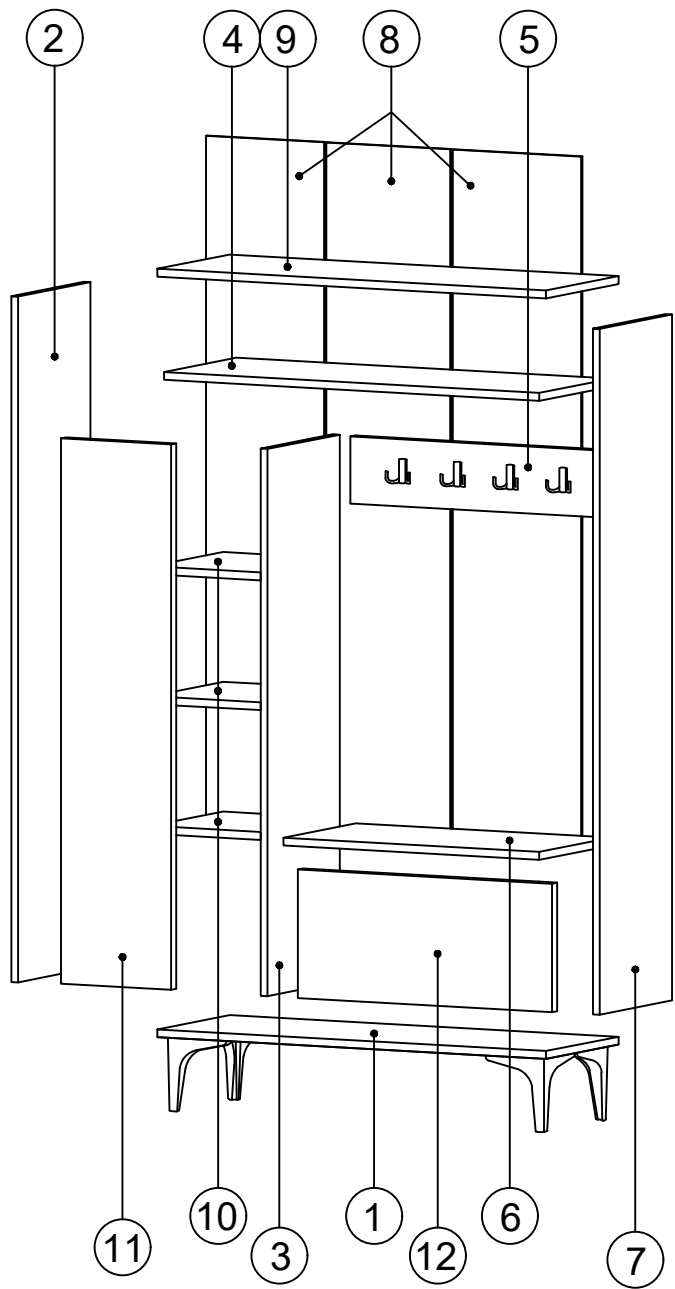
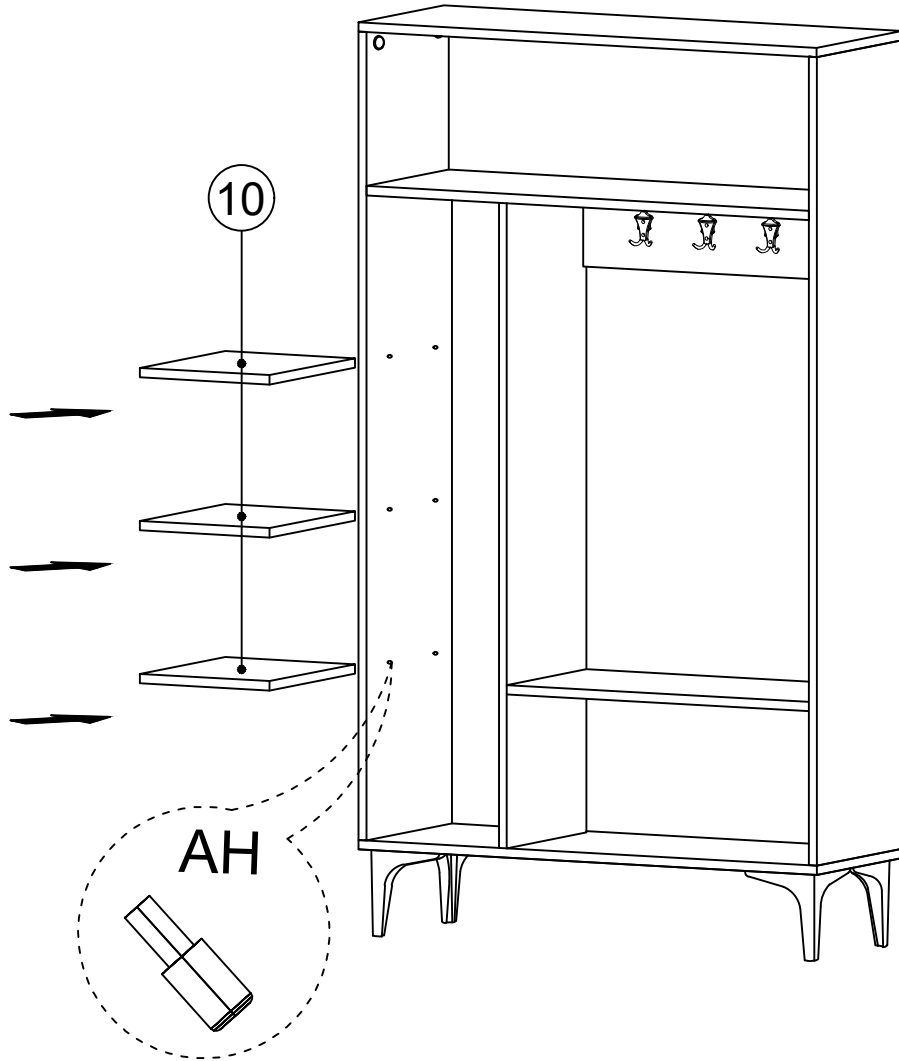


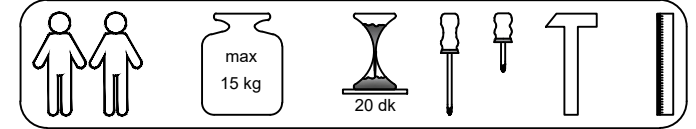
DEC30005 PERA VESTİYER



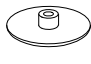
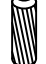

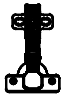






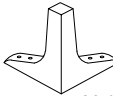








MATERIALS



							
X 20	X 20	X 20	X 20	X 36	X 4	X 12	X 4
A	B	C	D	G	U	AJ	AG
MINIFIX GIB	MINIFIX BODY	MIN.STOPPER	DOWEL	3,5 x 18 SCREW	HINGE(Crank 16)	PLASTIC JOINING	HANGING

						
X 2	X 2	X 4	X 16	X 1	X 12	X 4
R	O	BN	EY	P	AH	E
HANDLE	HANDLE SCREW	170mm PVC LEG	4x30 SCREW	ALLEN KEY	SHELF BUTTON	CABINET SCREW

DEC30005 PERA VESTİYER

NO	NAME	PIECE	NO	İSİM	MİKTAR
1	BOTTOM PART	1 PC	1	ALT TABLA	1 ADET
2	LEFT SIDE PART	1 PC	2	SOL YAN DİKME	1 ADET
3	MIDDLE PART	1 PC	3	ORTA DİKME	1 ADET
4	FIXED SHELF	1 PC	4	SABİT RAF	1 ADET
5	HANGER PANEL	1 PC	5	ASKI BANDI	1 ADET
6	FIXED SHELF	1 PC	6	SABİT RAF	1 ADET
7	RIGHT SIDE PART	1 PC	7	SAĞ YAN DİKME	1 ADET
8	BACKREST	3 PCS	8	ARKALIK	3 ADET
9	TOP PART	1 PC	9	ÜST TABLA	1 ADET
10	SHELF	3 PCS	10	RAF	3 ADET
11	COVER	1 PC	11	KAPAK	1 ADET
12	COVER	1 PC	12	KAPAK	1 ADET

