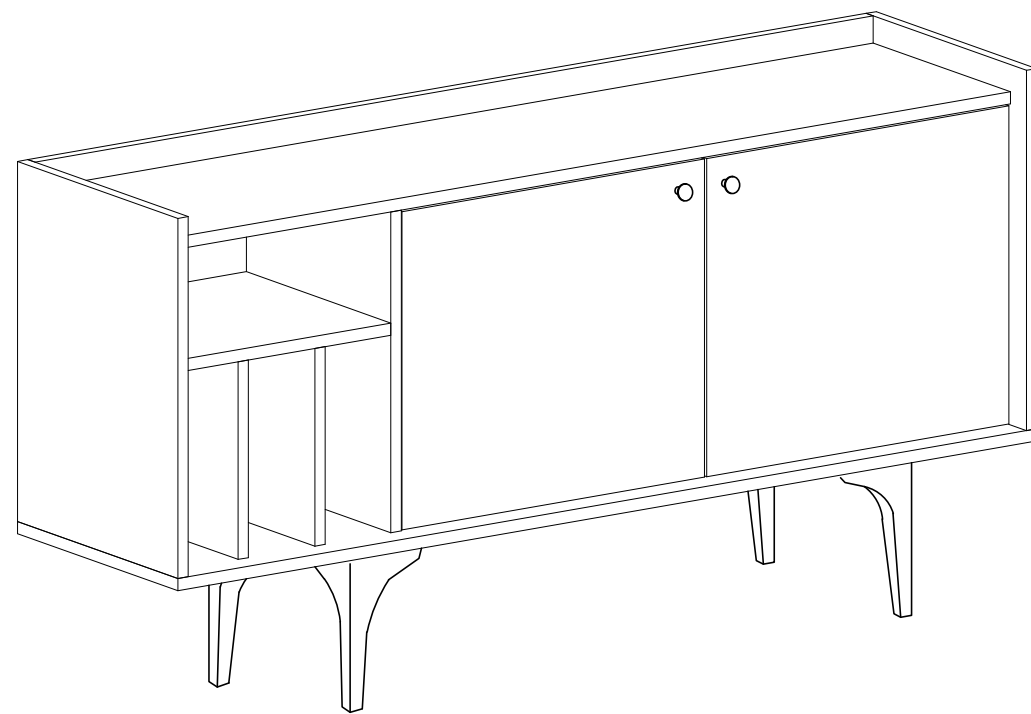
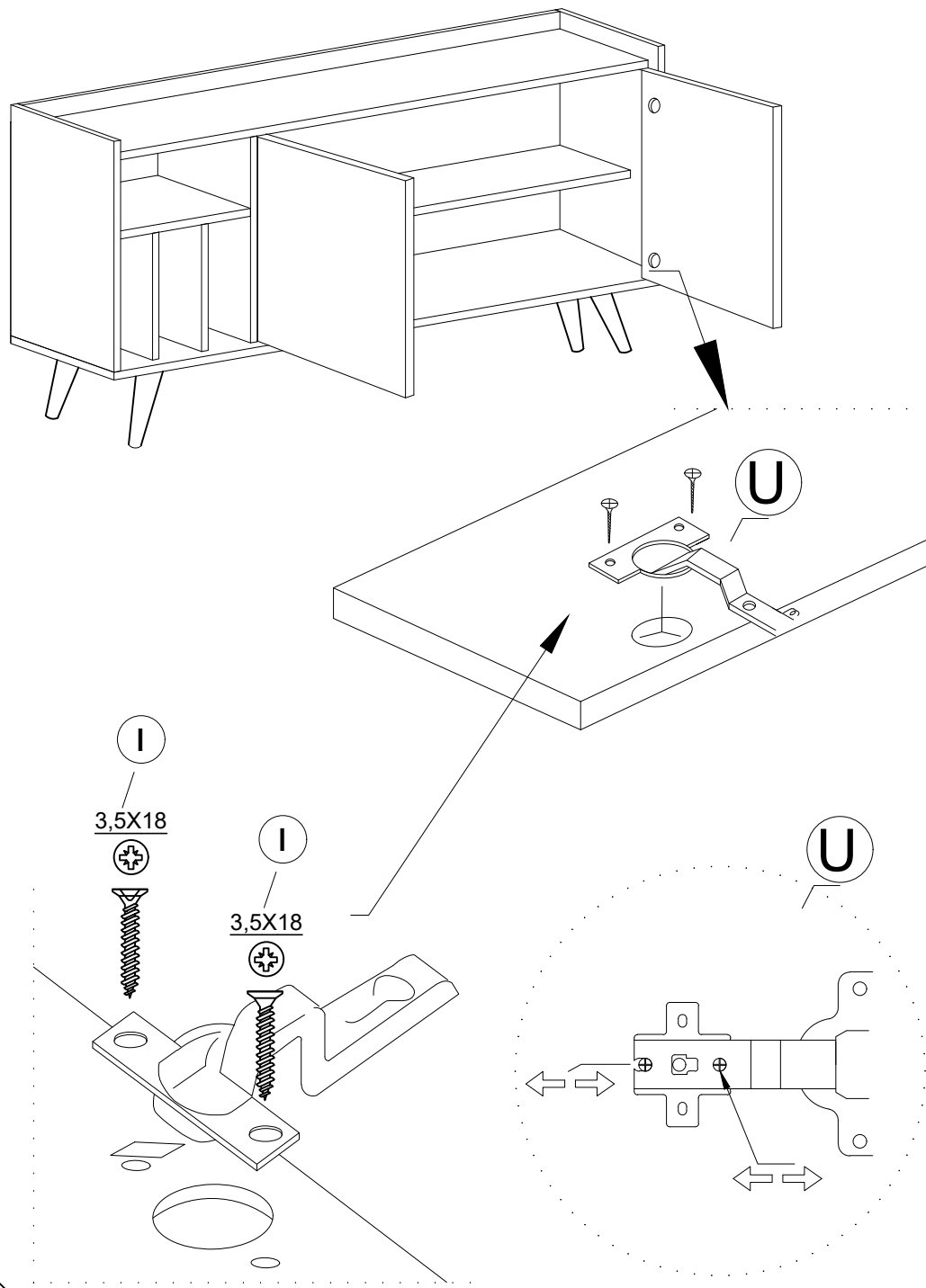
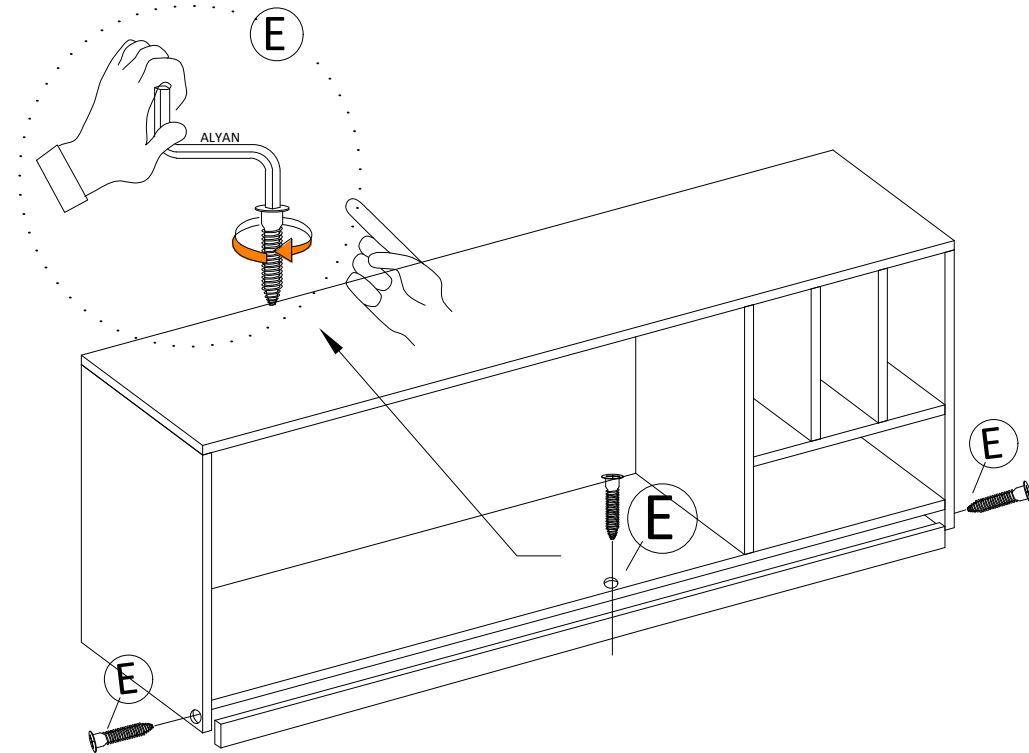
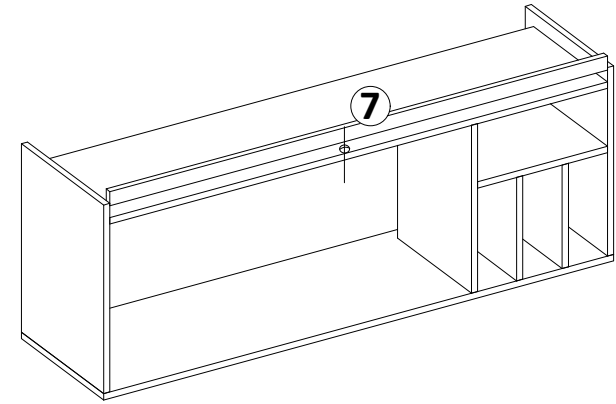
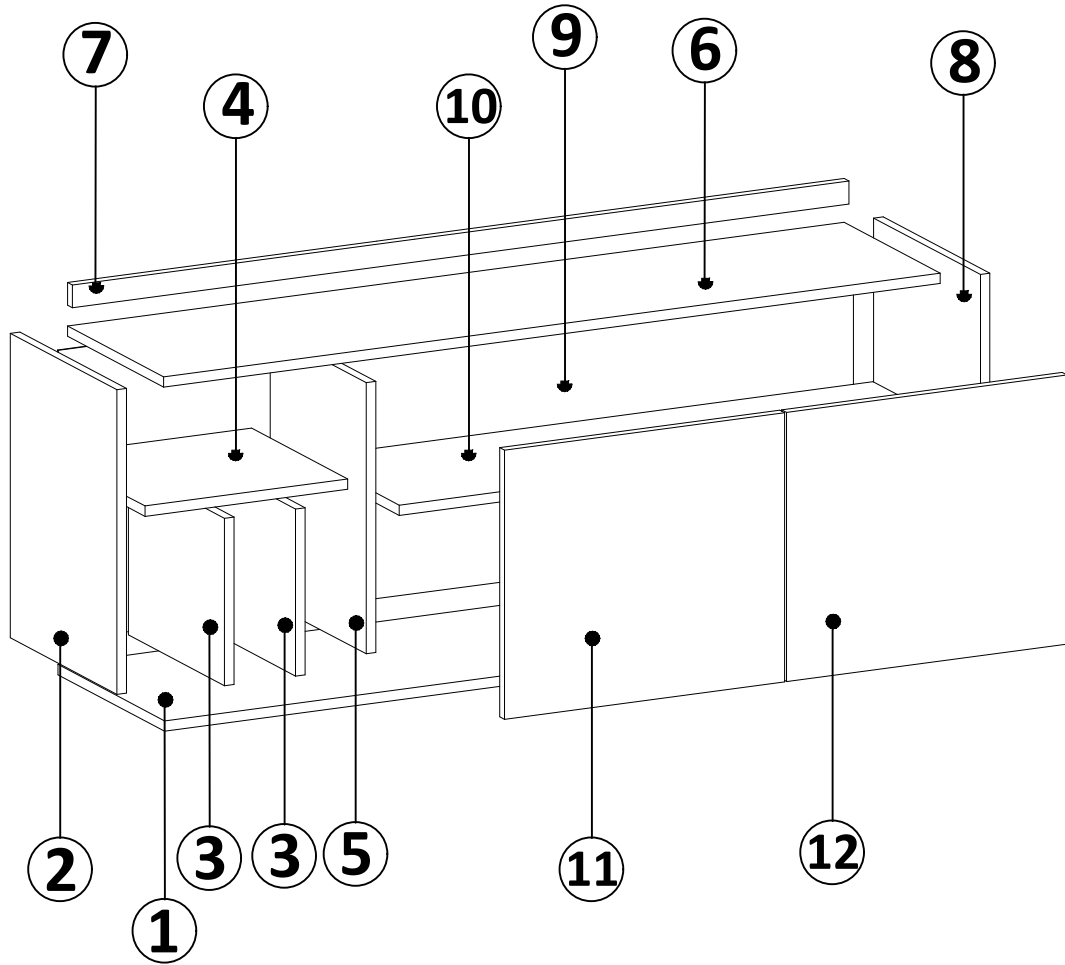


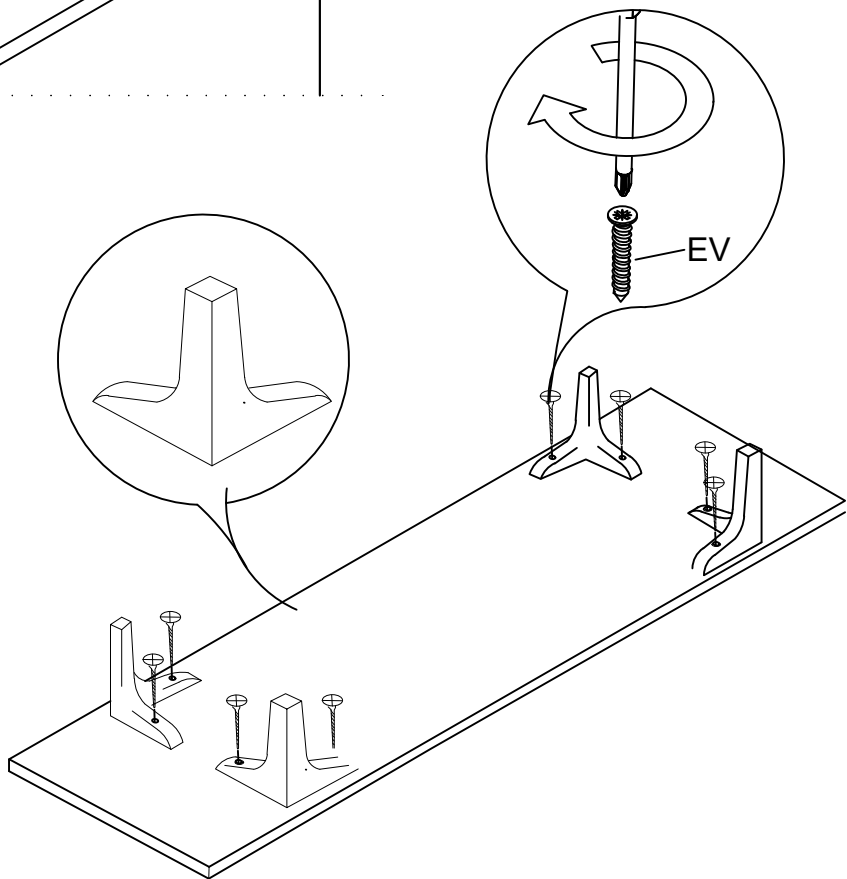
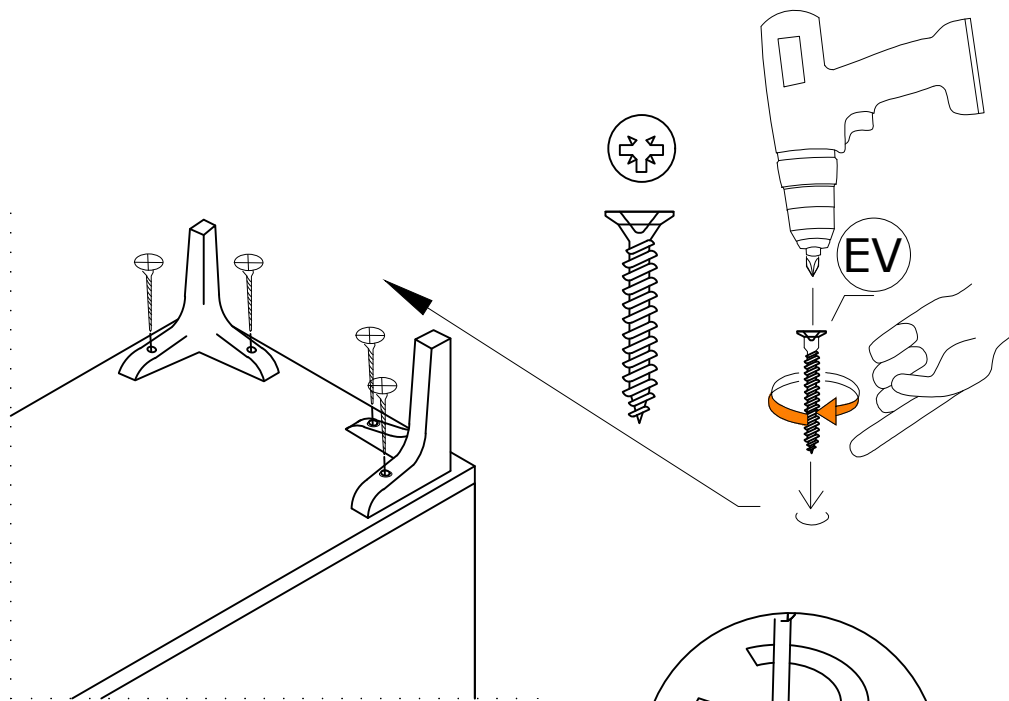
# DEC004 MAGNETOR



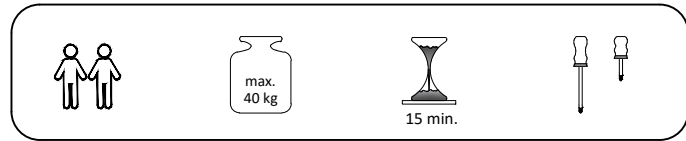
DECORMET


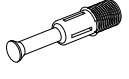


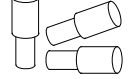



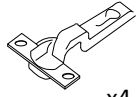
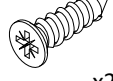
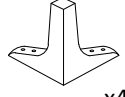
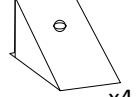

# DEC004 MAGNETOR



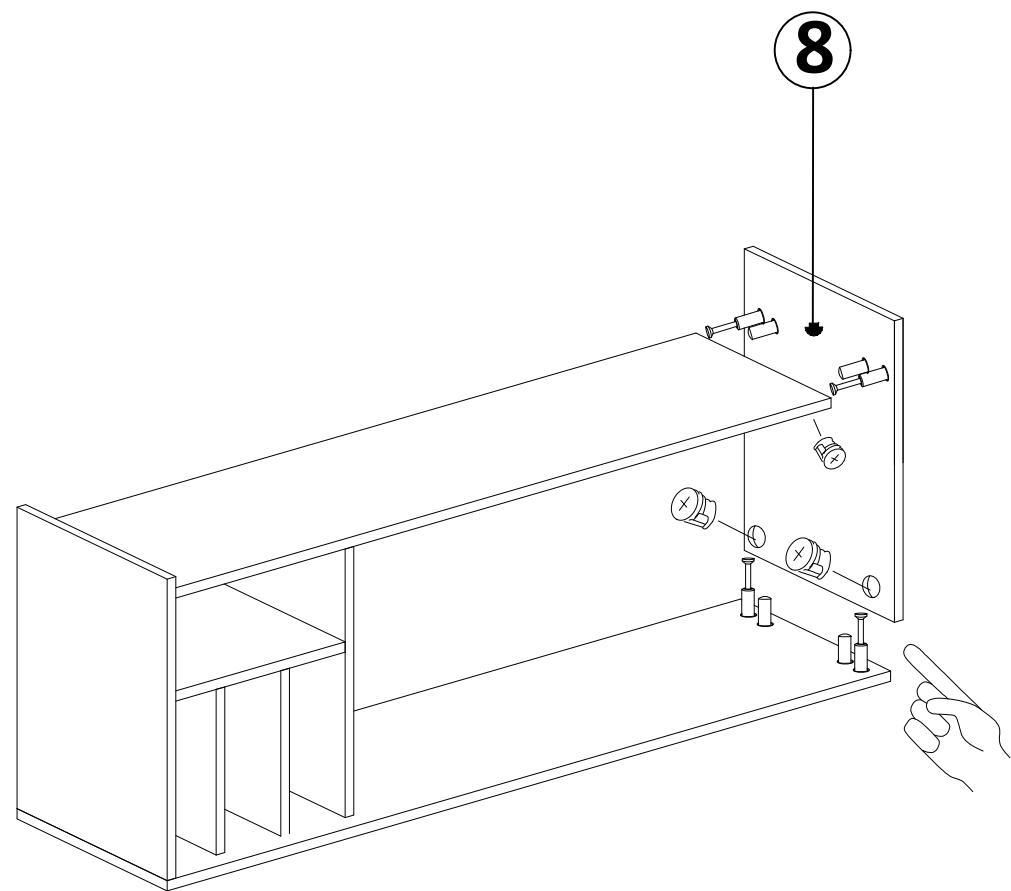
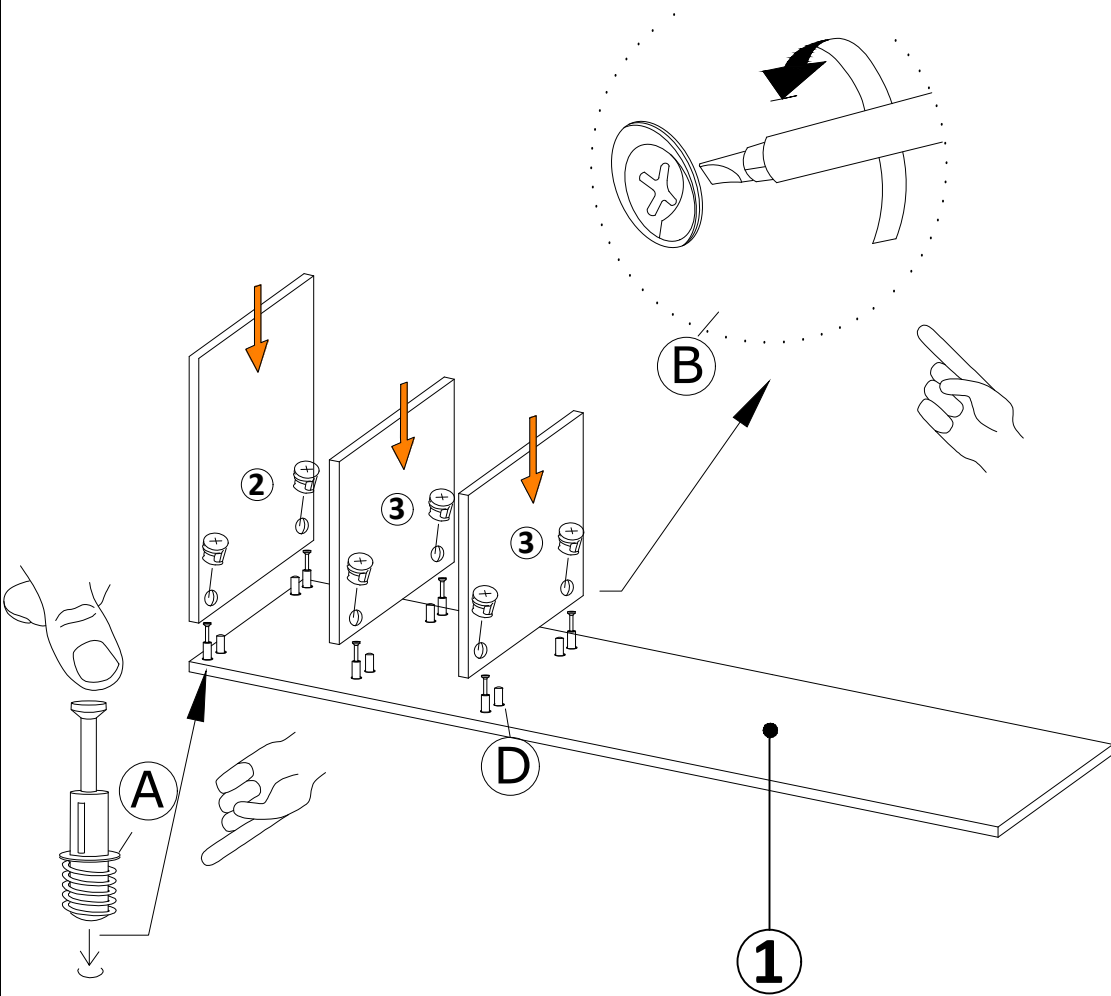


## MATERIALS

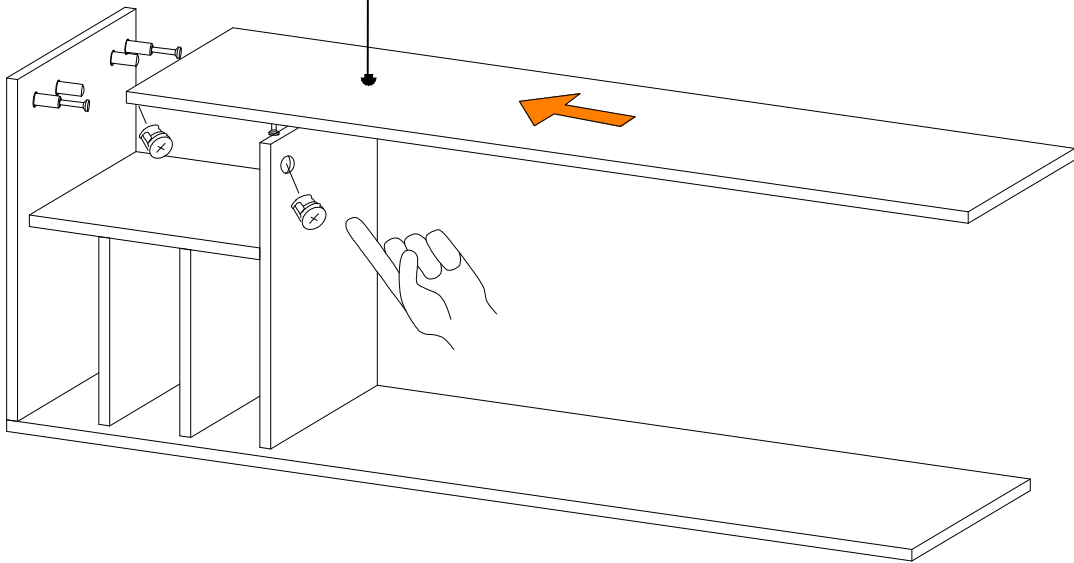


 x24	 x24	 x24	 x24	 x4	 x2	 x3
<b>B</b>	<b>A</b>	<b>C</b>	<b>D</b>	<b>AH</b>	<b>R</b>	<b>E</b>
MINIFIX BODY	MINIFIX GIB	MIN.STOPPER	DOWEL	SHELF BUTTON	HANDLE	CABINET SCREW
 X 12	 x4	 x20	 x4	 x4	 x2	
<b>EV</b>	<b>U</b>	<b>I</b>	<b>BN</b>	<b>AJ</b>	<b>O</b>	
4x35 SCREW	HINGE (CRANK 16)	3,5x18 SCREW	250 mm PVC LEG	PLASTIC JOINING	HANDLE SCREW	

NO	DEC004 MAGNETOR	PIECE
1	BOTTOM PART	1 PC
2	LEFT PART	1 PC
3	MIDDLE PART	2 PCS
4	FIXED SHELF PART	1 PC
5	MIDDLE PART	1 PC
6	TOP PART	1 PC
7	MIDDLE PART	1 PC
8	RIGHT PART	1 PC
9	BACK PART	1 PC
10	SHELF PART	1 PC
11	COVER PART	1 PC
12	COVER PART	1 PC



6



4

