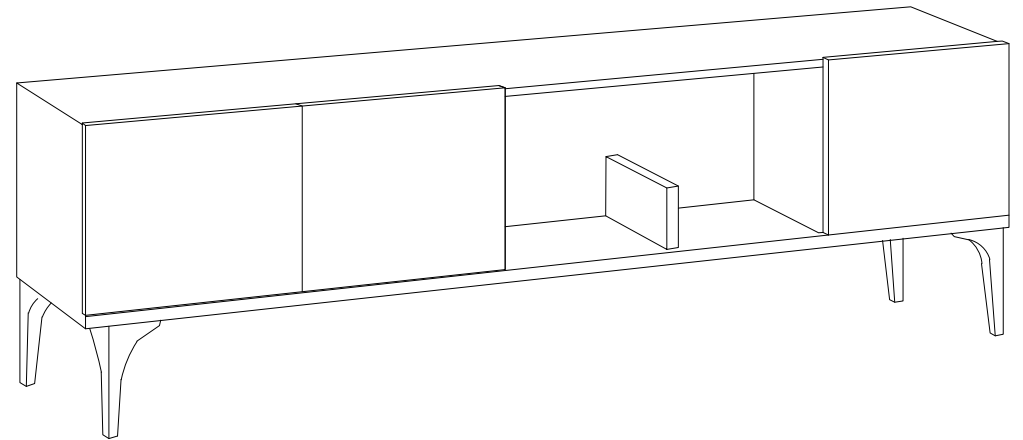
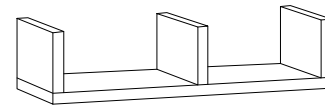
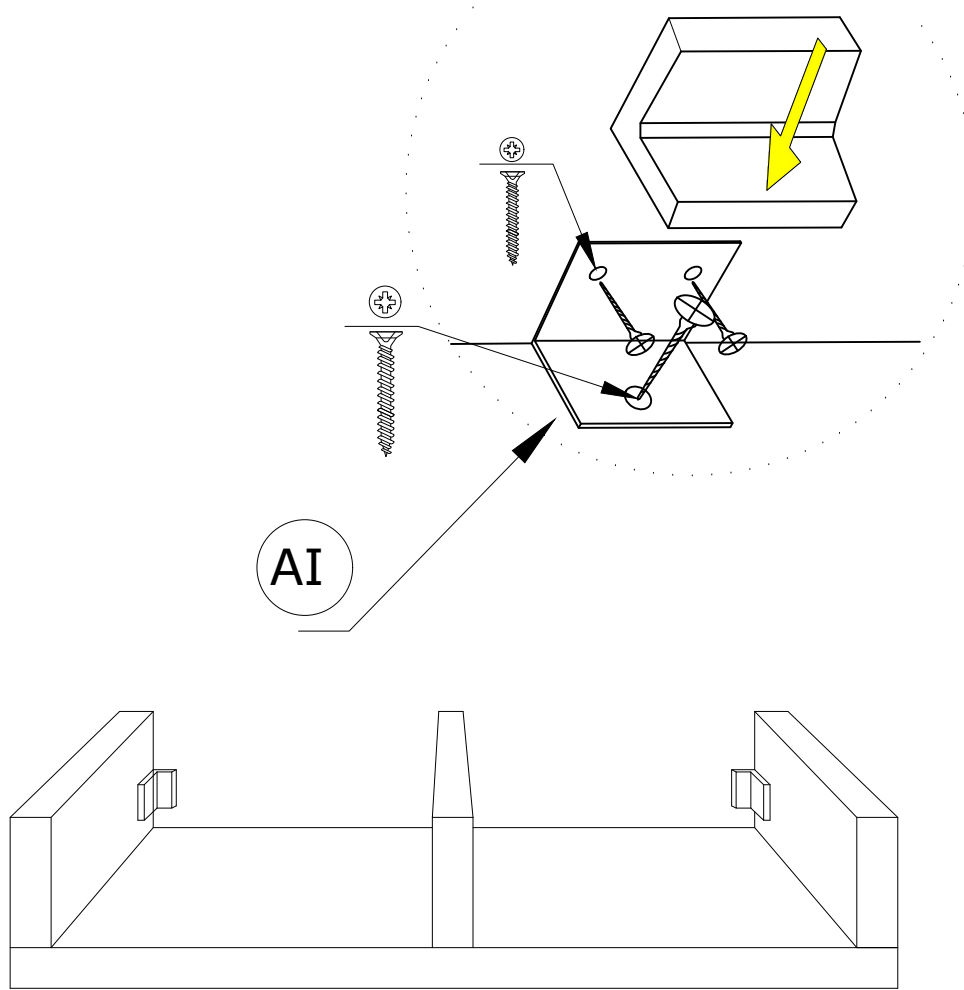
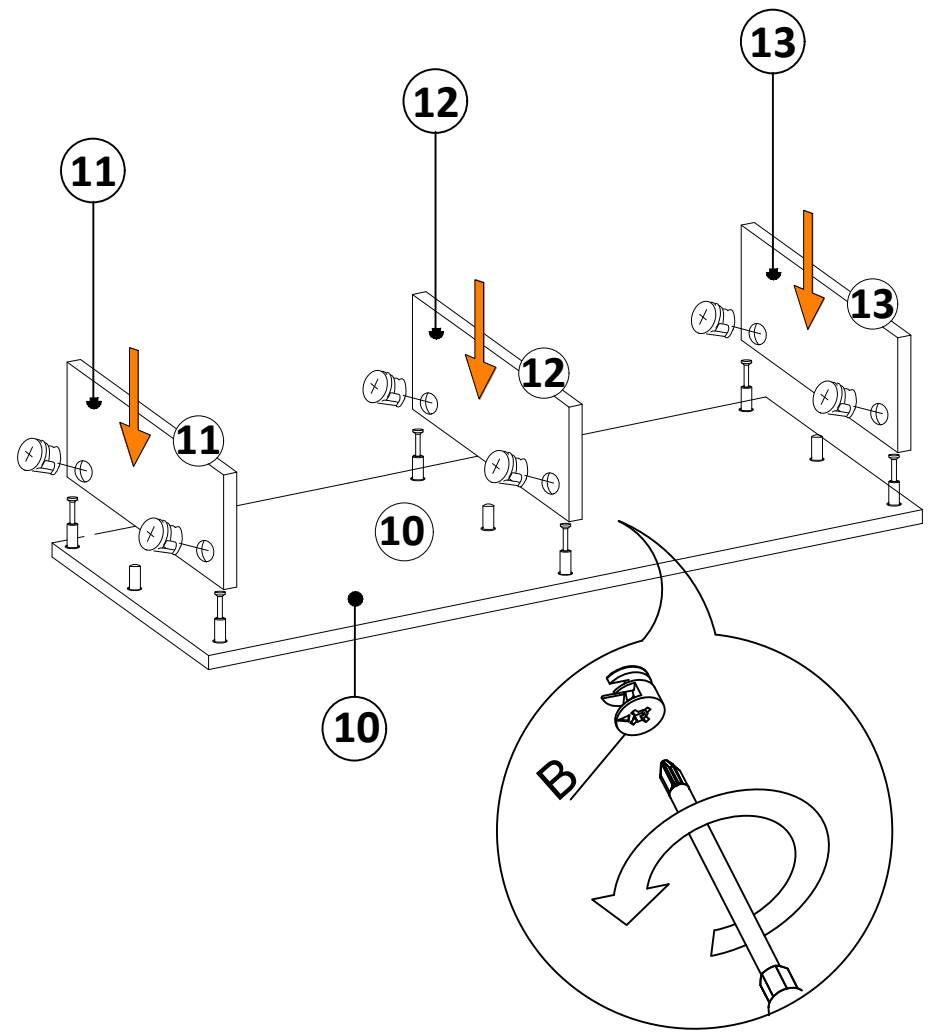
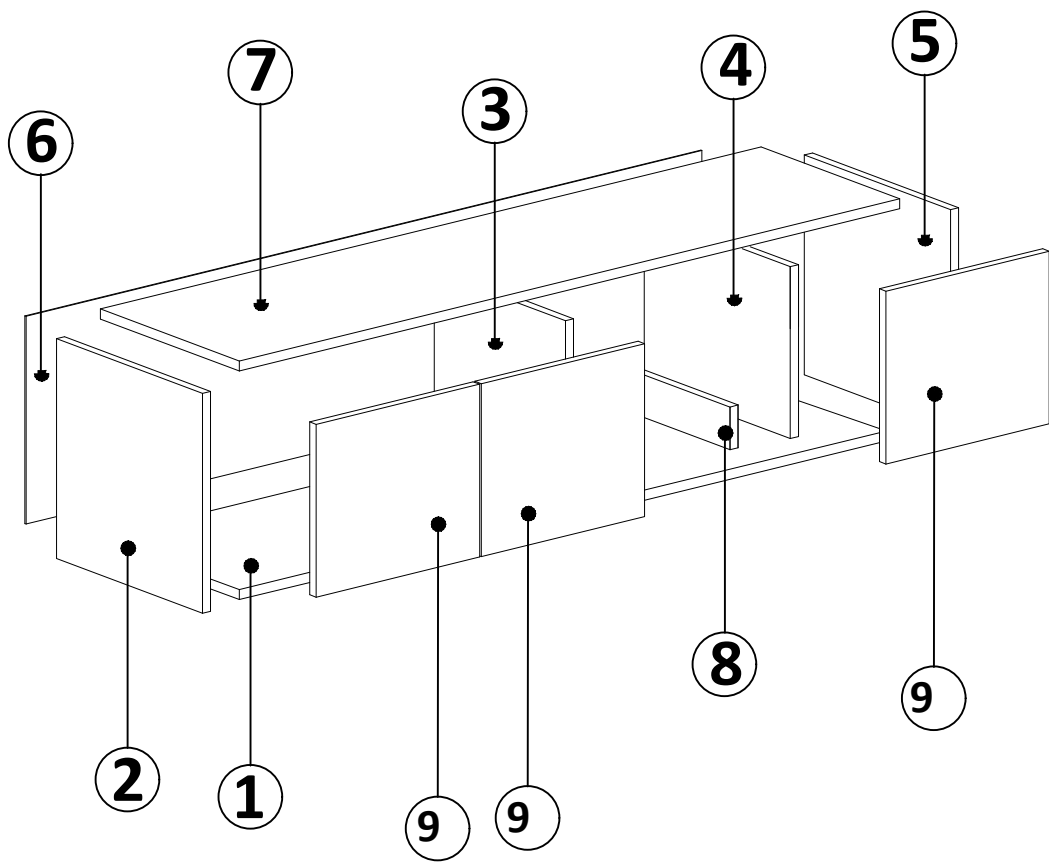
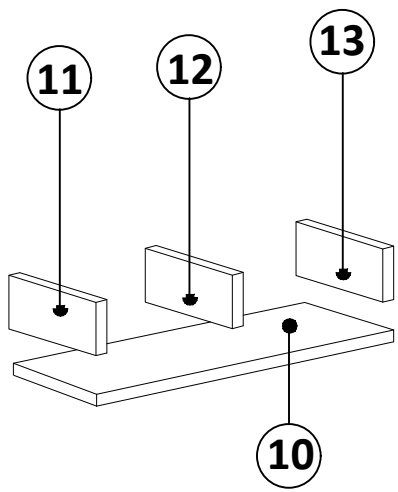
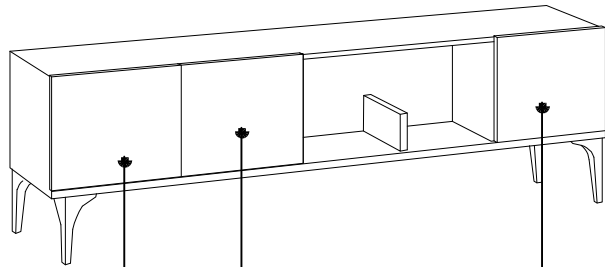


DEC0076 HUBBLE

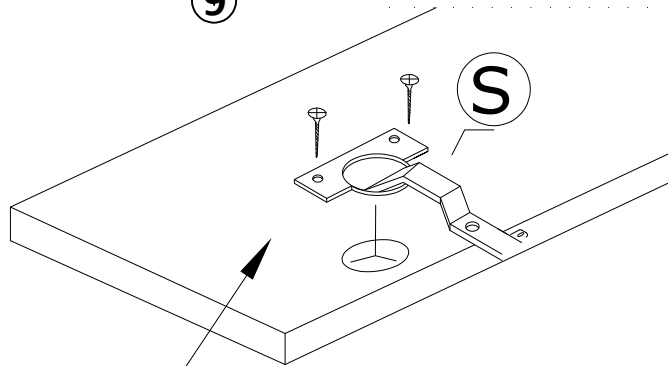


DECORMET

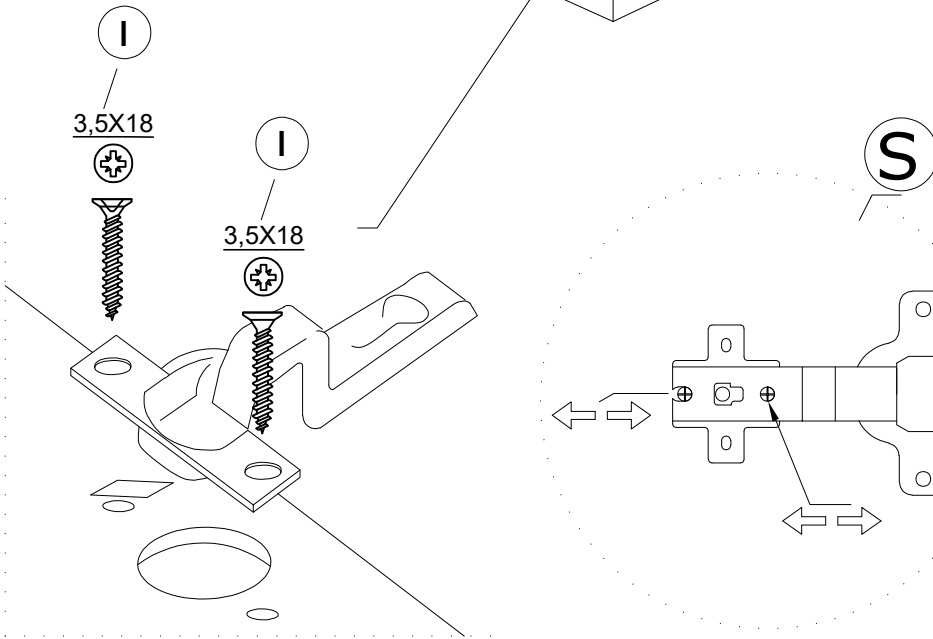




9 9 9



S




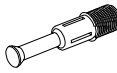


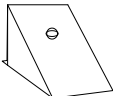


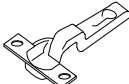
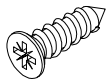
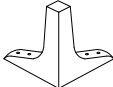
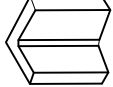


I
3,5X18

I
3,5X18

S

MATERIALS



 x22	 x22	 x22	 x22	 x4	 x2	 x2
B	A	C	D	AJ	L	E
MINIFIX BODY	MINIFIX GIB	MIN.STOPPER	DOWEL	PLASTIC JOINING	5x80 SCREW	CABINET SCREW
 x6	 x32	 x4	 x2	 x 16	 x 2	
S	I	BN	AI	EY	AK	
HINGE (CRANK 0)	3,5x18 SCREW	170 mm PVC LEG	L IRON MITER	4x30 SCREW	WALL PLUG	

NO	DEC0076 HUBBLE	PIECE
1	BOTTOM PART	1 PC
2	LEFT PART	1 PC
3	MIDDLE PART	1 PC
4	MIDDLE PART	1 PC
5	RIGHT PART	1 PC
6	BACK PART	1 PC
7	TOP PART	1 PC
8	MNI PART	1 PC
9	COVER PARTS	3 PCS
10	SHELF/ BOTTOM PART	1 PC
11	SHELF /LEFT PART	1 PC
12	SHELF / MIDDLE PART	1 PC
13	SHELF / RIGHT PART	1 PC

