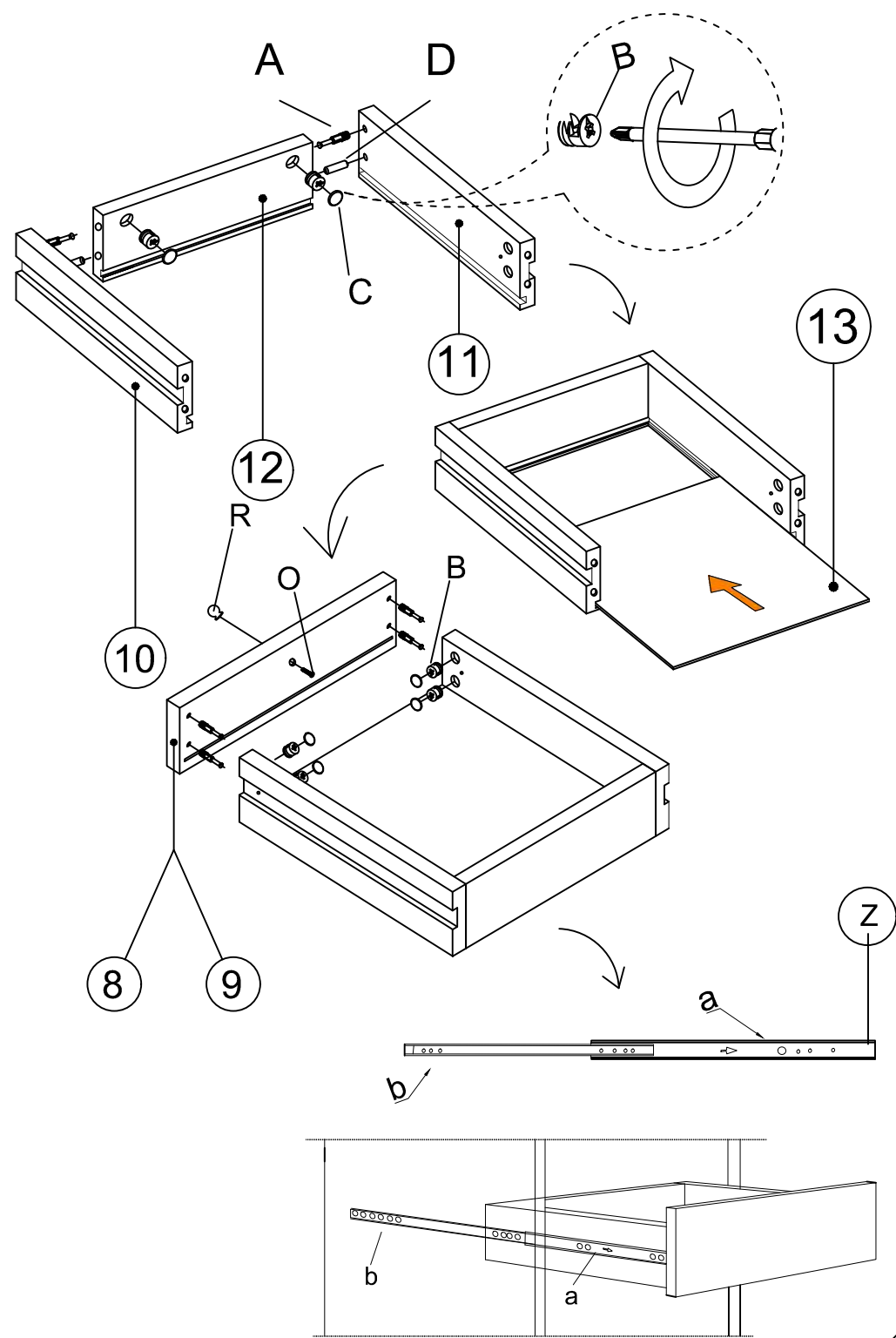
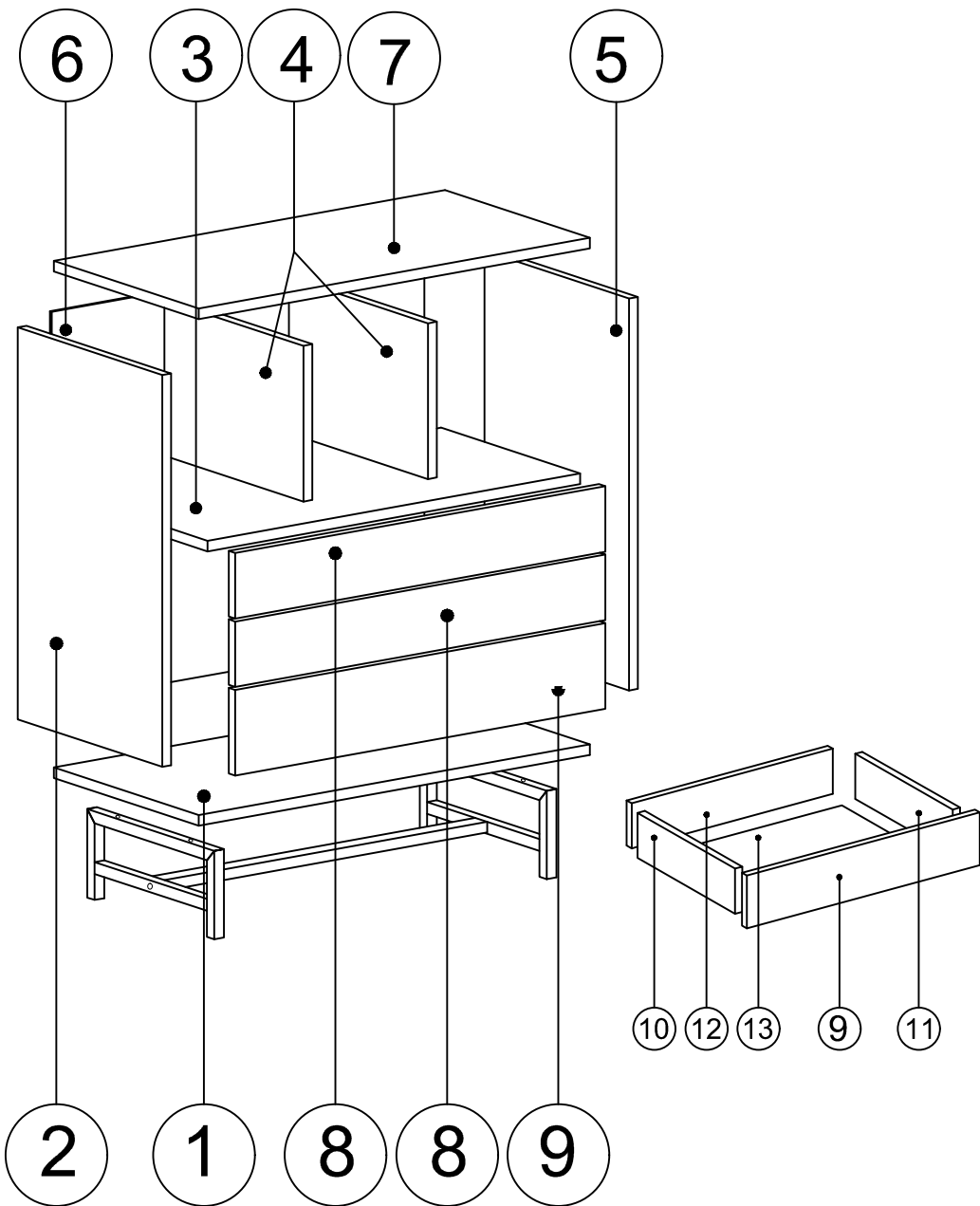
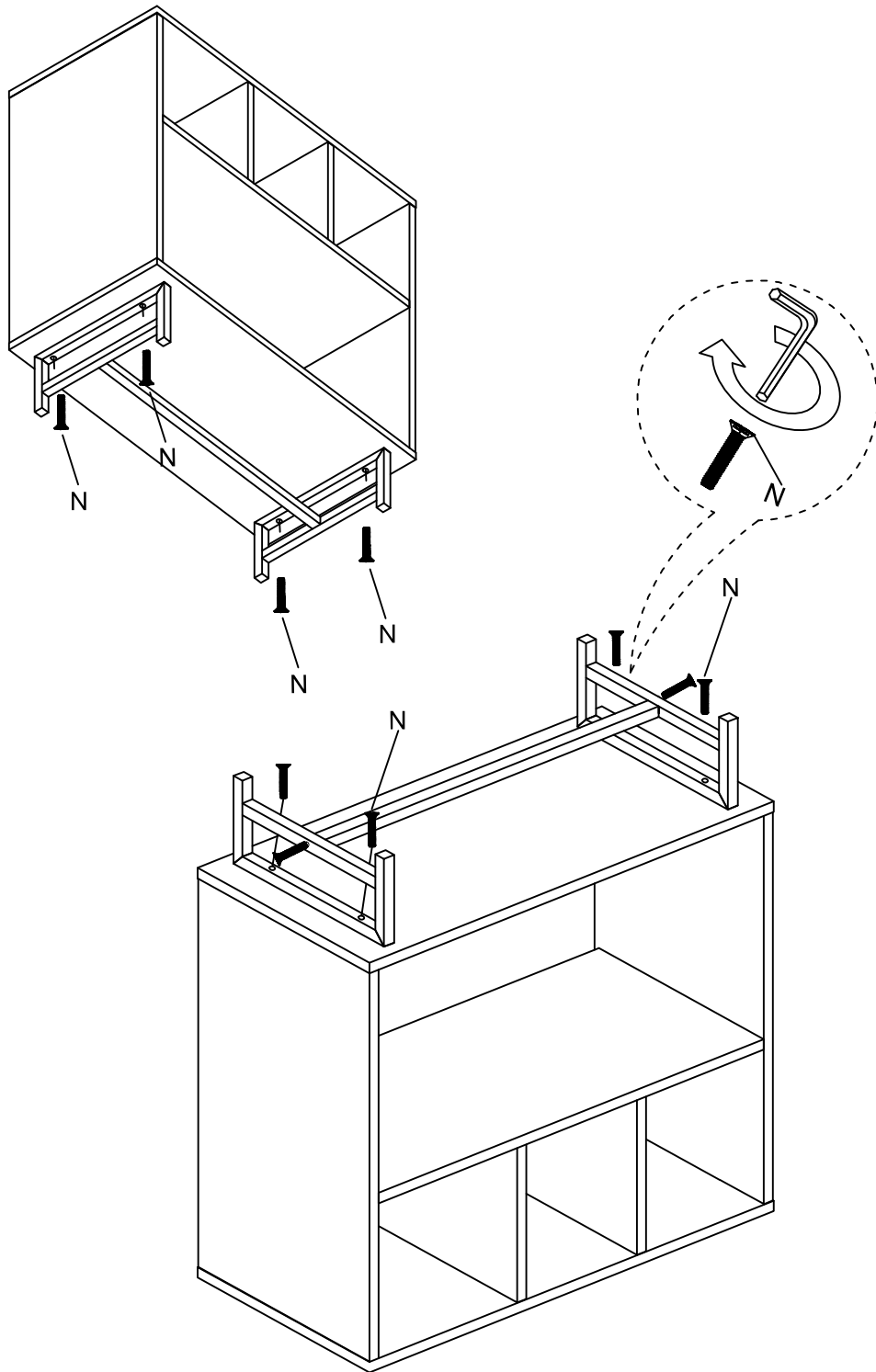


DEC20011 CARLA

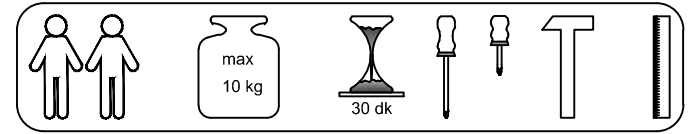




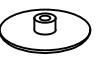
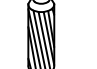




DECORMET











## MATERIALS



							
X 38	X 38	X 38	X 26	X 16	X 6	X 6	X 6
A	B	C	D	G	H (M4x15)	N	O
MINIFIX GIB	MINIFIX BODY	MIN.STOPPER	DOWEL	3,5 x 18 SCREW	DRAWER SCREW	METRIC SCREW	HANDLE SCREW

					
X 1	X 6	X 3	X 4	X 2	X 1
P	R	Z	AJ	AN	BC
ALLEN KEY	HANDLE	342MM DRAWER	PLASTIC JOINING	METAL LEG AY20.35.02	METAL LEG PART AT070.02.02

## DEC20011 CARLA

NO	NAME	PIECE	NO	İSİM	MİKTAR
1	BOTTOM PART	1 PC	1	ALT TABLA	1 Adet
2	LEFT PART	1 PC	2	SOL YAN	1 Adet
3	MIDDLE PART	1 PC	3	ARA KAYIT	1 Adet
4	MIDDLE PART	2 PCS	4	DİKME PARÇASI	2 Adet
5	RIGHT PART	1 PC	5	SAĞ YAN	1 Adet
6	BACK PART	2 PCS	6	ARKALIK	2 Adet
7	TOP PART	1 PC	7	ÜST TABLA	1 Adet
8	DRAWER COVER PARTS	2 PCS	8	ÇEKMECE ÖNÜ-DAR	2 Adet
9	DRAWER COVER PARTS	1 PC	9	ÇEKMECE ÖNÜ-GENİŞ	1 Adet
10	DRAWER LEFT SIDE PART	3 PCS	10	ÇEKMECE SOL YANLARI	3 Adet
11	DRAWER RIGHT SIDE PART	3 PCS	11	ÇEKMECE SAĞ YANLARI	3 Adet
12	DRAWER / BACK PART	3 PCS	12	ÇEKMECE ARKA PARÇA	3 Adet
13	DRAWER / BOTTOM PART	3 PCS	13	ÇEKMECE ALTLIĞI	3 Adet

