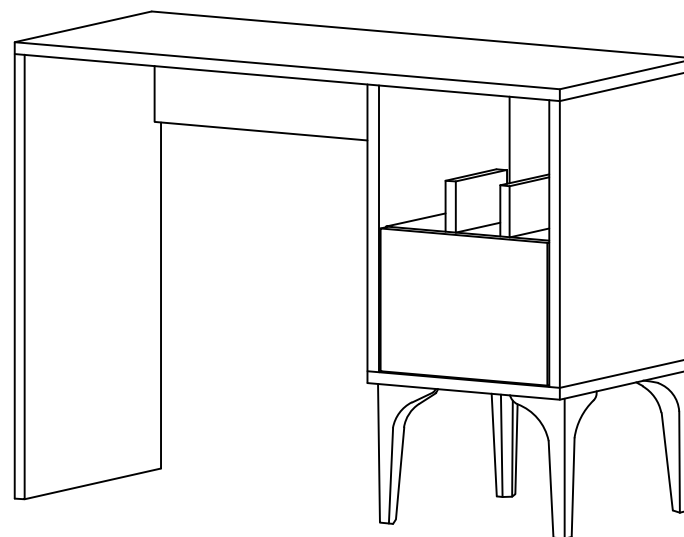
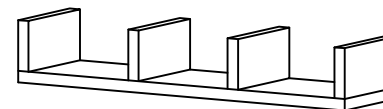
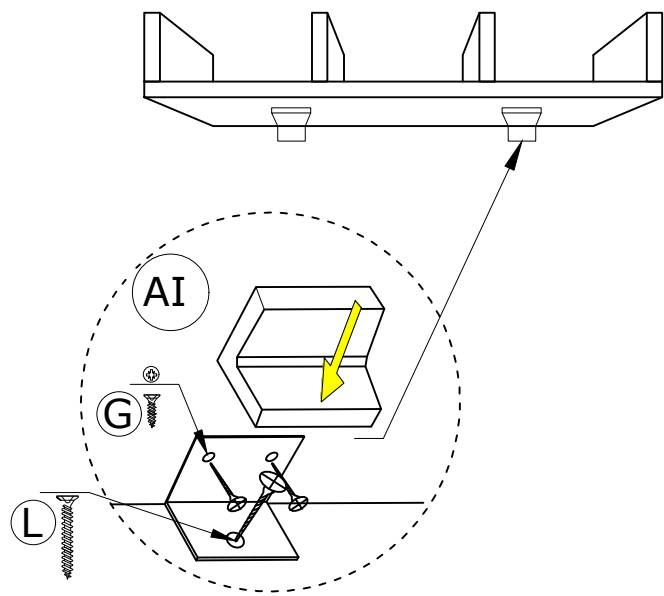
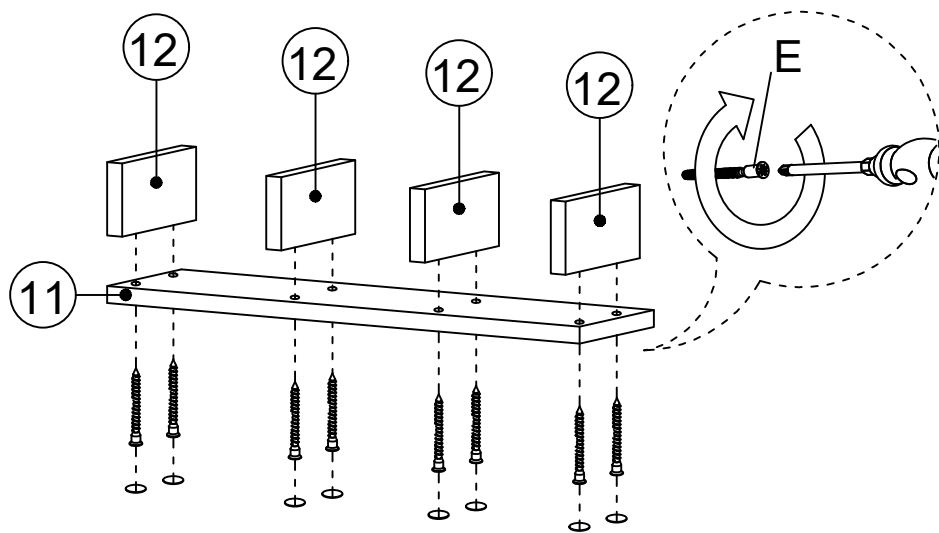
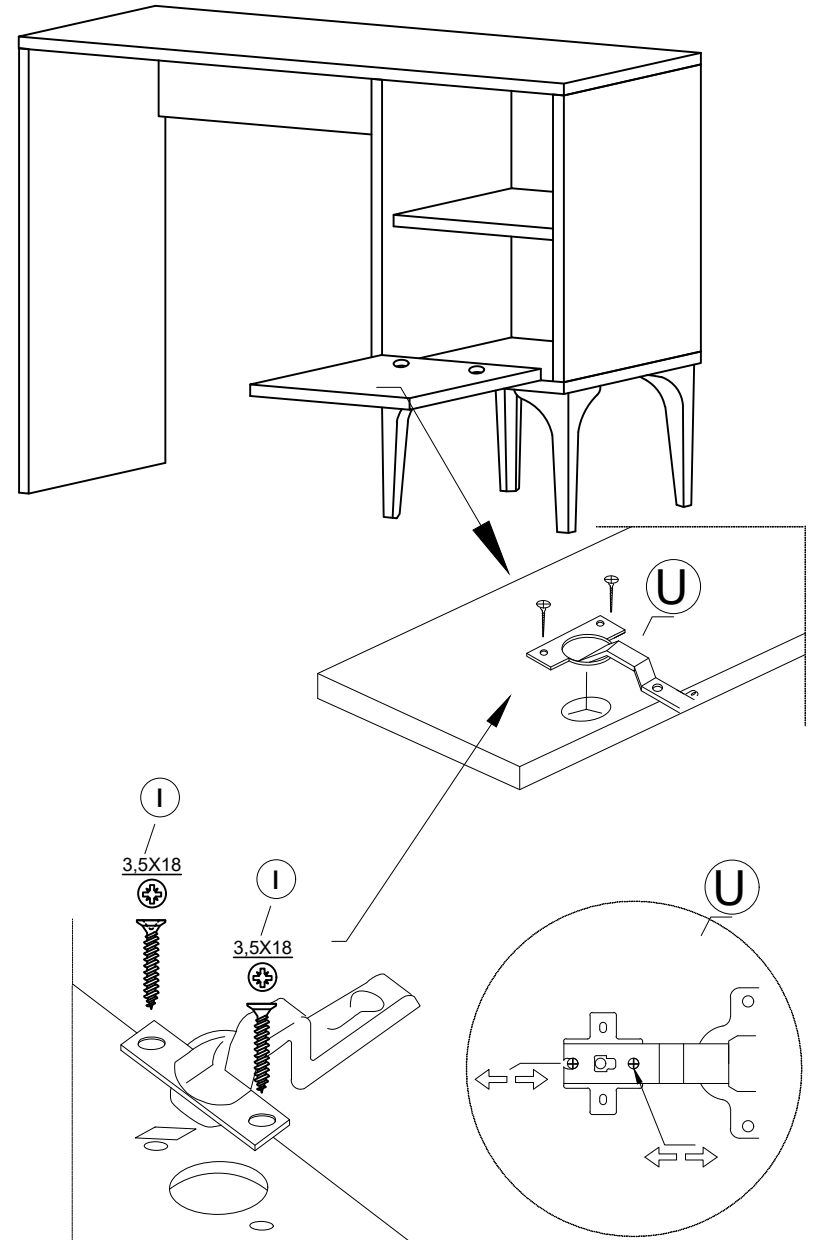
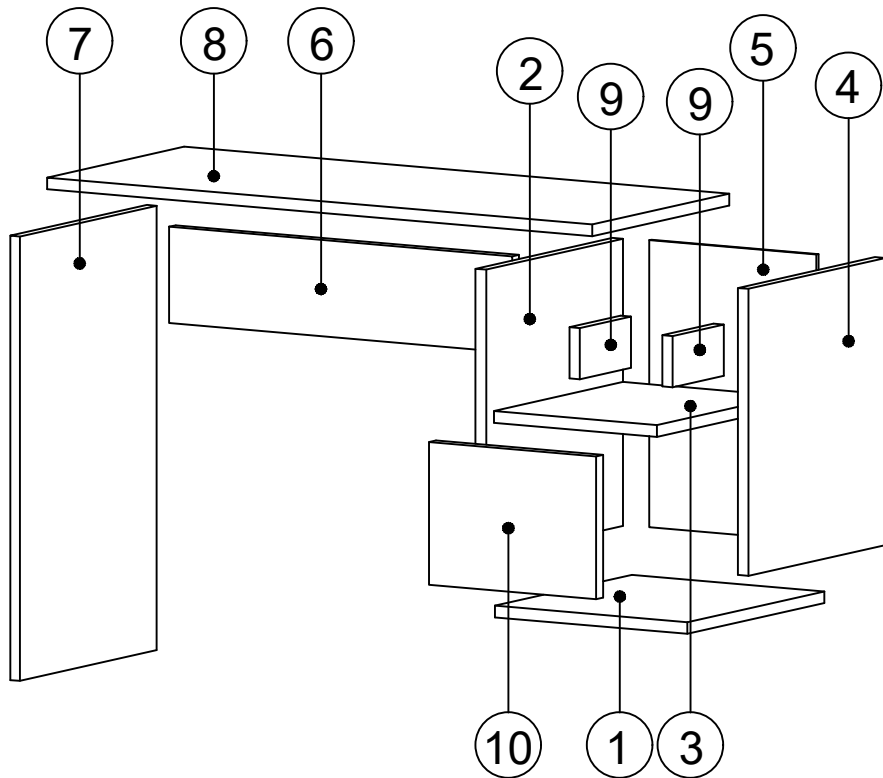
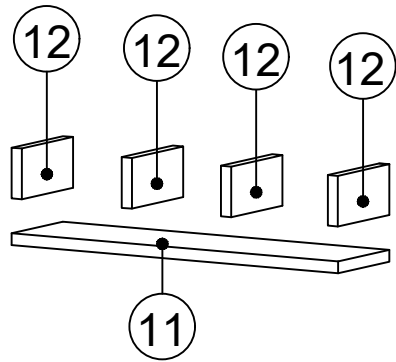


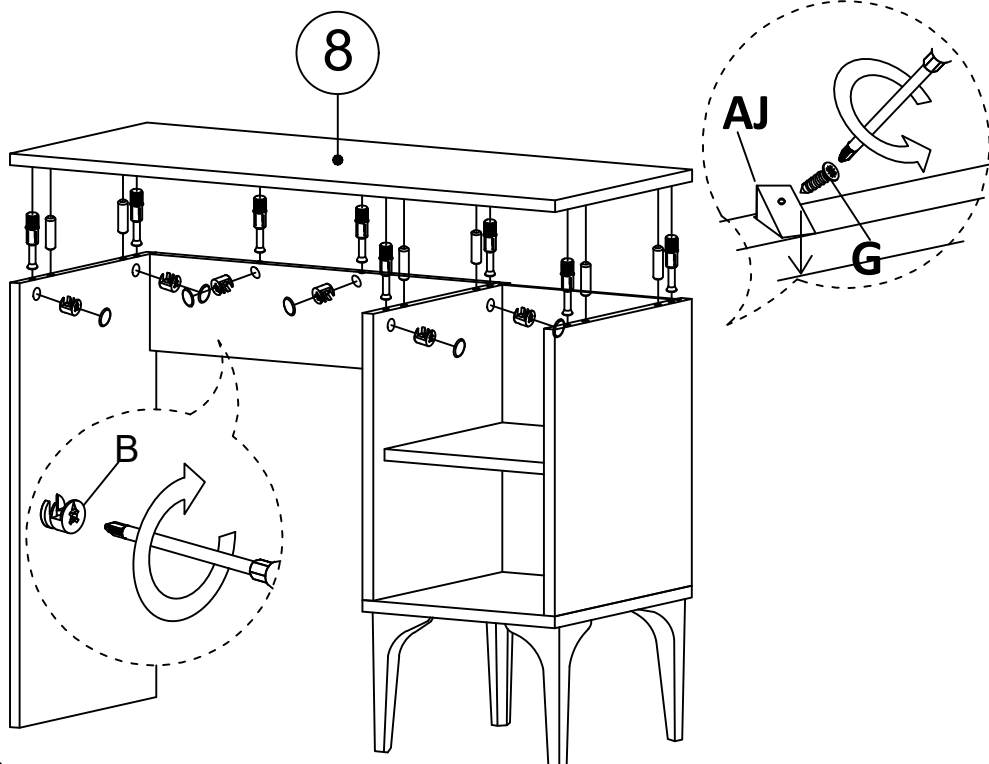
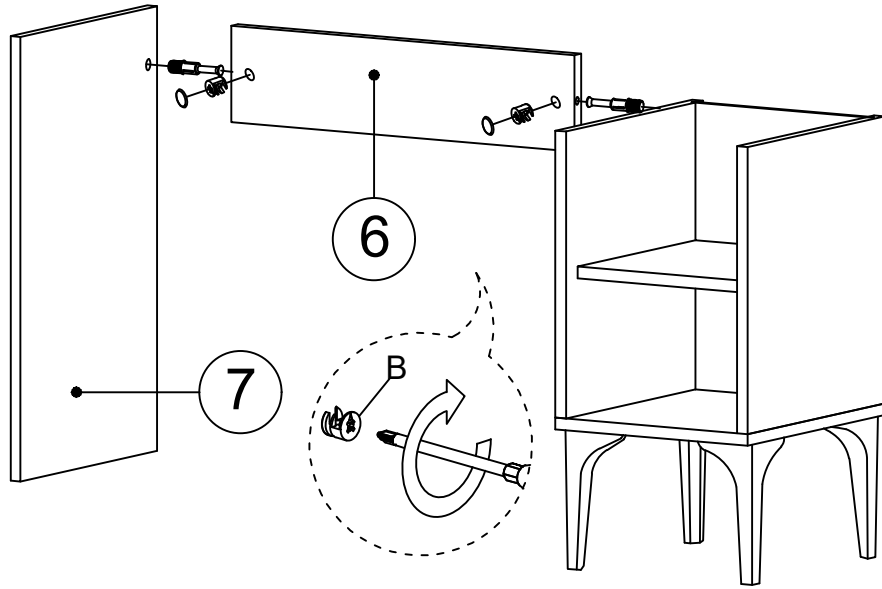
DEC0078 RiSH



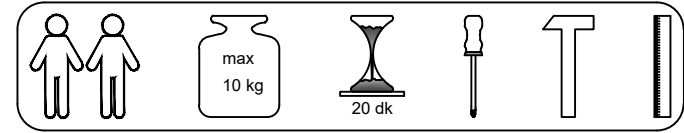
DECORMET

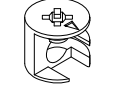
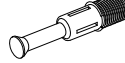


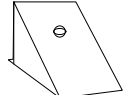
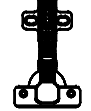




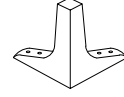


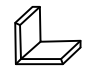
DEC0078 RISH





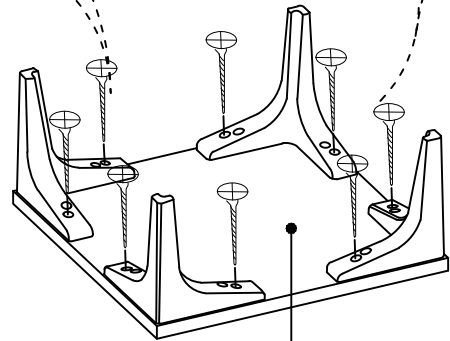
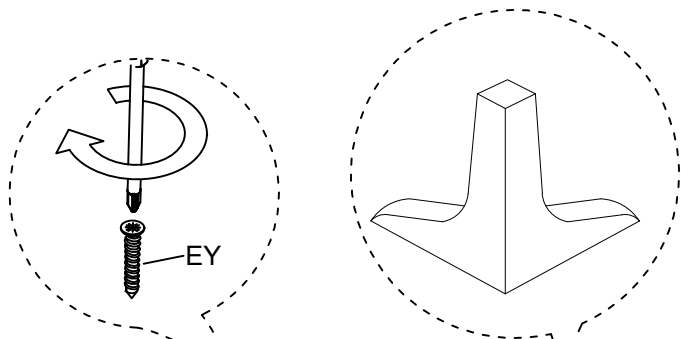
MATERIALS



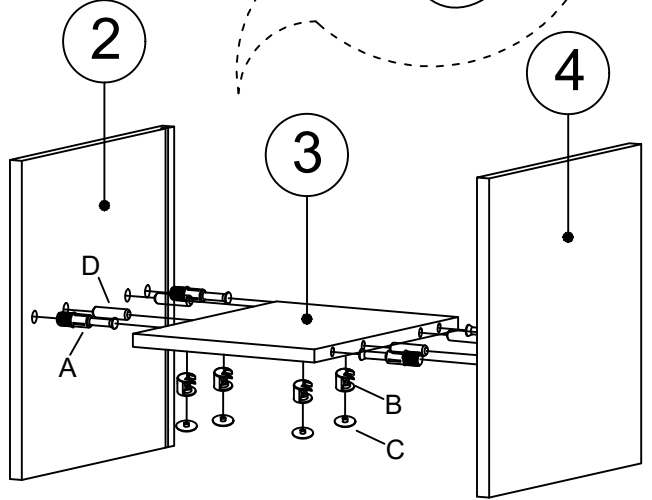
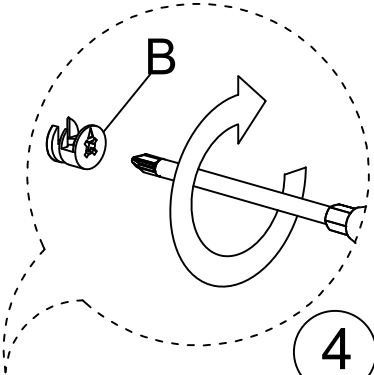
 x18	 x18	 x18	 x18	 x4	 X 2	 X 16
B	A	C	D	AJ	U	G
MINIFIX BODY	MINIFIX GIB	MIN.STOPPER	DOWEL	PLASTIC JOINING	HINGE(Crank 16)	3,5 x 18 SCREW
 X 8	 X 8	 X 12	 x4	 X 2	 X 2	 X 2
E	F	EV	BN	L	AK	AI
CABINET SCREW	PLUG	4x35 SCREW	250 mm PVC LEG	5x80 SCREW	WALL PLUG	L IRON MITER (COVERED)

DEC0078 RİSH

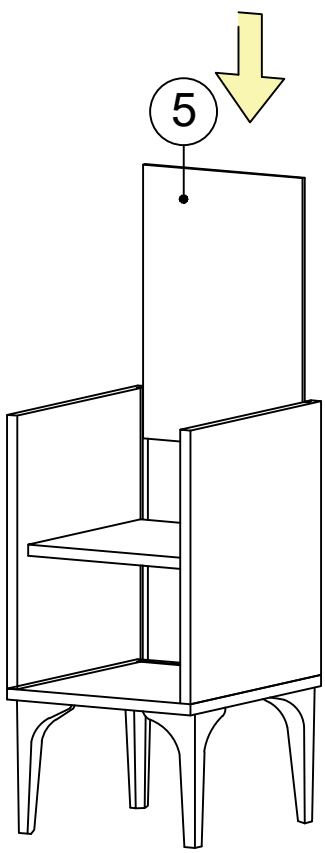
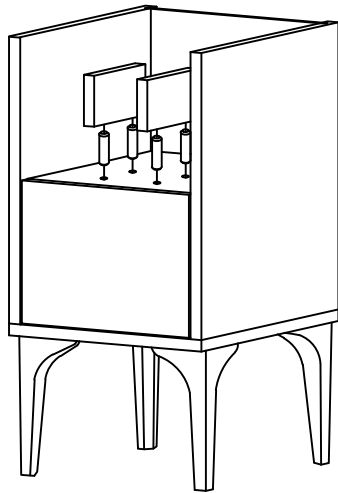
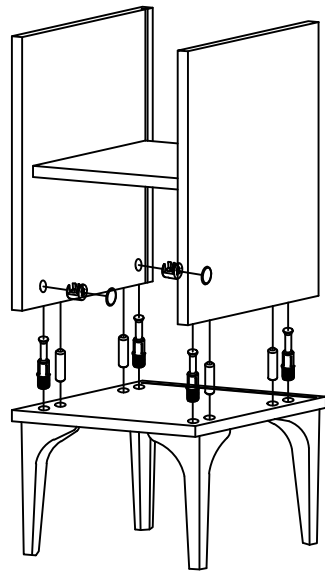
NO	NAME	PIECE	NO	İSİM	MİKTAR
1	BOTTOM PART	1 PC	1	ALT TABLA	1 Adet
2	LEFT SIDE PART	1 PC	2	SOL DİKME	1 Adet
3	SHELF	1 PC	3	RAF	1 Adet
4	RIGHT SIDE PART	1 PC	4	SAĞ DİKME	1 Adet
5	BACK PART	1 PC	5	ARKALIK	1 Adet
6	BACK PANEL	1 PC	6	ARKA PANO	1 Adet
7	TABLE LEG	1 PC	7	MASA AYAK	1 Adet
8	TABLE TOP PART	1 PC	8	MASA TABLA	1 Adet
9	MIDDLE PART	2 PCS	9	DİKME	2 Adet
10	COVER PART	1 PC	10	KAPAK	1 Adet
11	SHELF MIDDLE PART	4 PCS	11	RAF DİKME	4 Adet
12	SHELF	1 PC	12	RAF	1 Adet



1



4



5