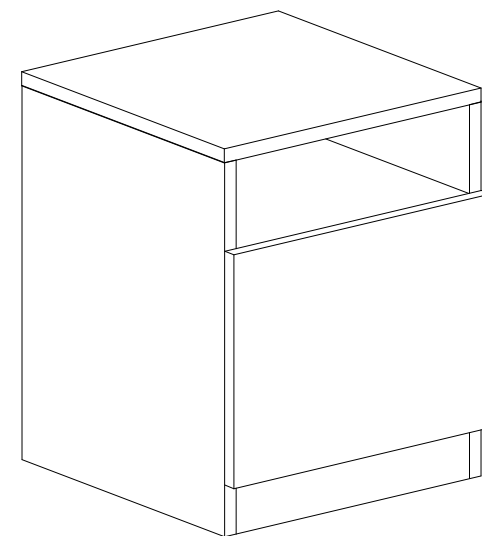
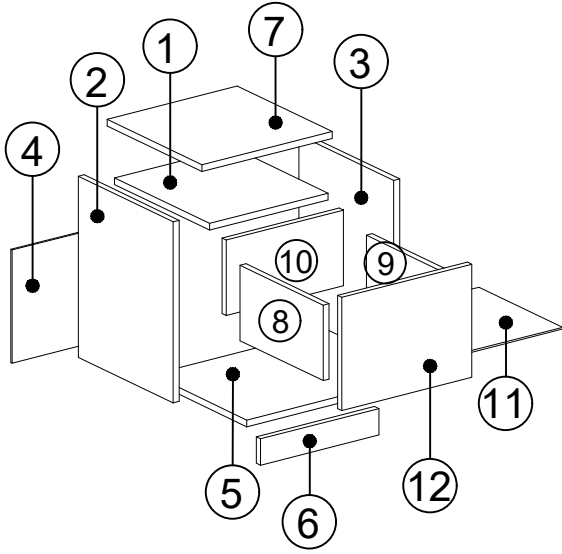
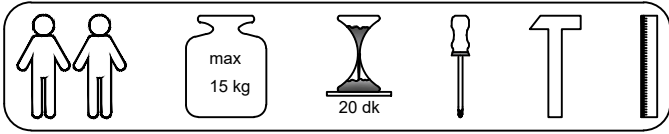





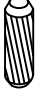



DEC0113

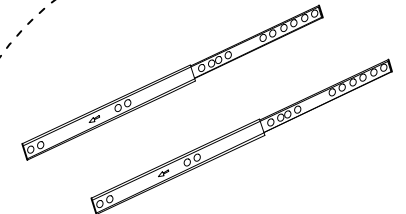
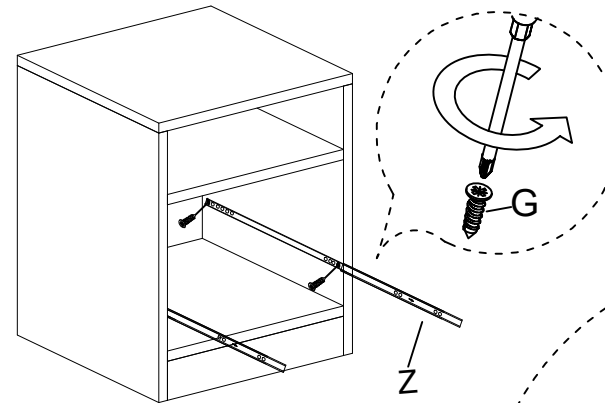
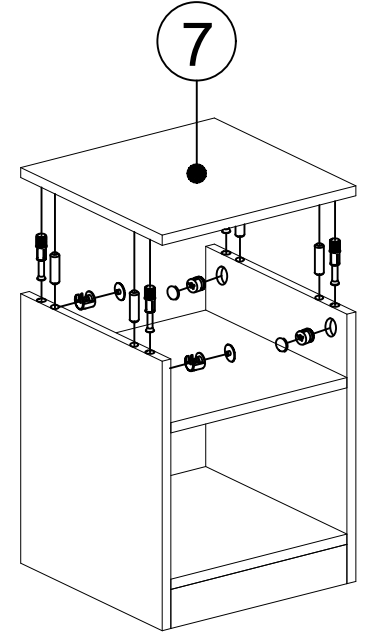
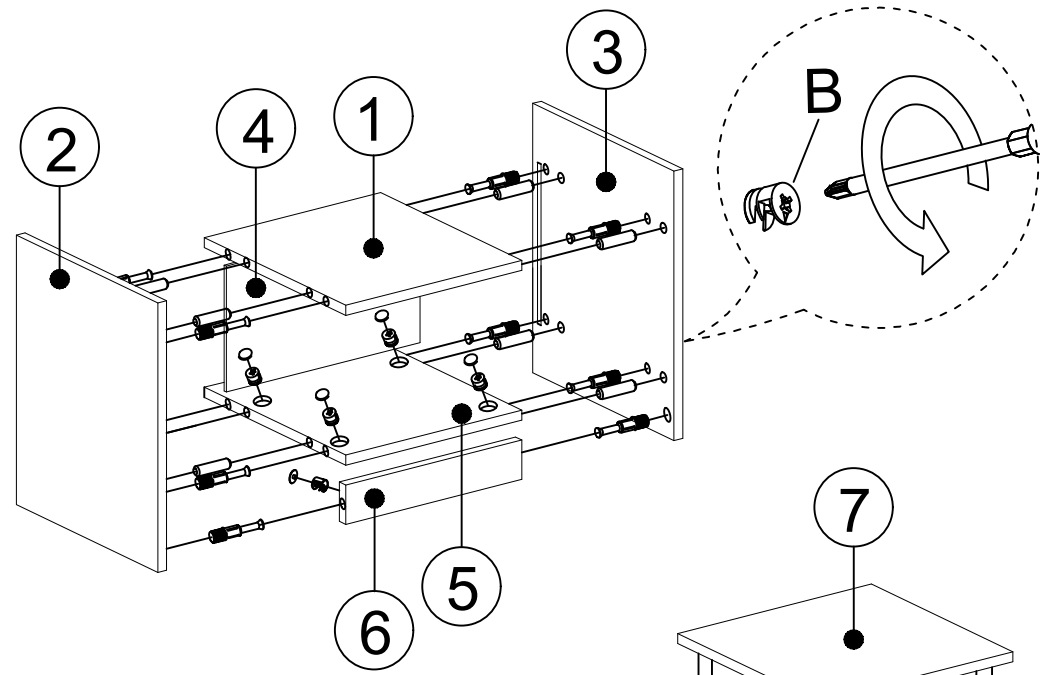


DECORMET

MATERIALS



		
X 22	X 22	X 22
A	B	C
MINIFIX GIB	MINIFIX BODY	MIN.STOPPER
		
X 12	X 4	X 1
D	G	Z
DOWEL	3,5x18 SCREW	342MM DRAWER
		
X 2		
H (M4x15)		
DRAWER SCREW		



DEC0113

NO	NAME	PIECE	NO	İSİM	MİKTAR
1	MIDDLE PART	1 PC	1	ORTA TABLA	1 Adet
2	LEFT SIDE PART	1 PC	2	SOL YAN DİKME	1 Adet
3	RIGHT SIDE PART	1 PC	3	SAĞ YAN DİKME	1 Adet
4	BACK PART	1 PC	4	ARKALIK	1 Adet
5	BOTTOM PART	1 PC	5	ALT TABLA	1 Adet
6	FRONT PANEL	1 PC	6	BAZA	1 Adet
7	TOP PART	1 PC	7	ÜST TABLA	1 Adet
8	DRW. LEFT SIDE PART	1 PC	8	ÇEKM. SOL YAN	1 Adet
9	DRW. RIGHT SIDE PART	1 PC	9	ÇEKM. SAĞ YAN	1 Adet
10	DRW. BACK PART	1 PC	10	ÇEKM. ARKA	1 Adet
11	DRW. BOTTOM PART	1 PC	11	ÇEKM. ALT	1 Adet
12	DRW. FRONT PANEL	1 PC	12	ÇEKM. ÖN	1 Adet