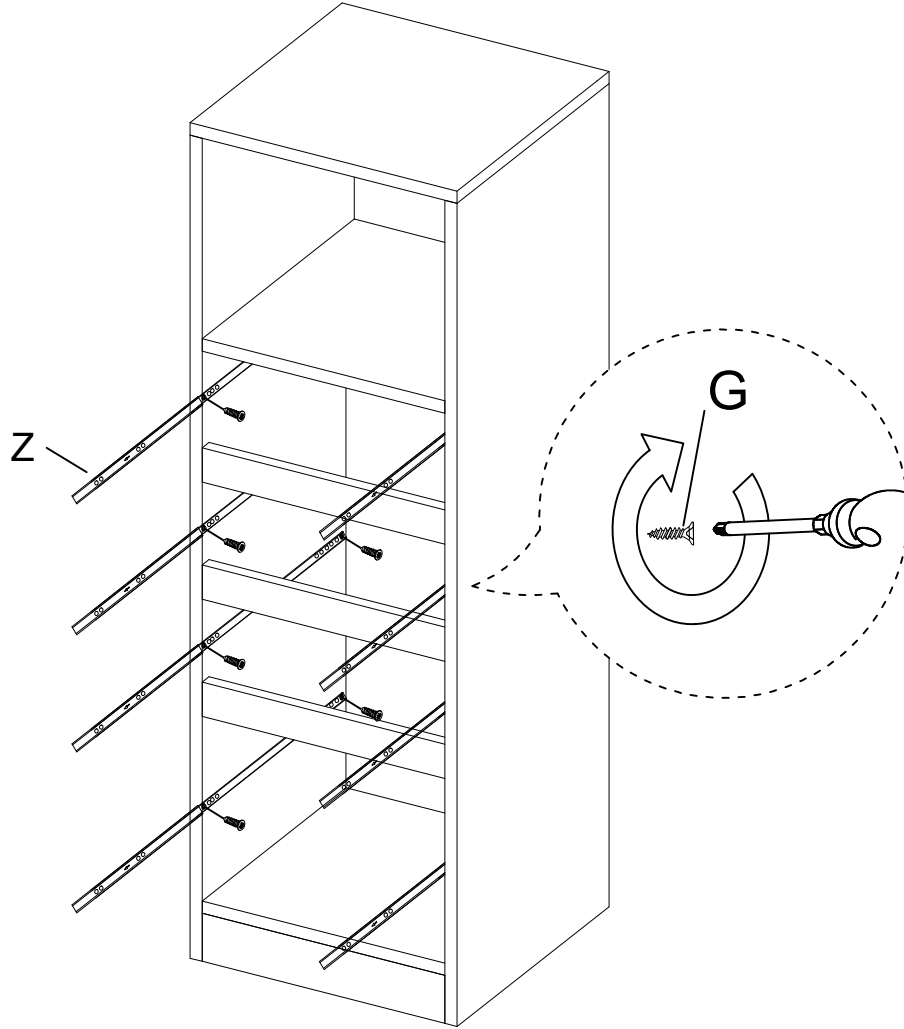
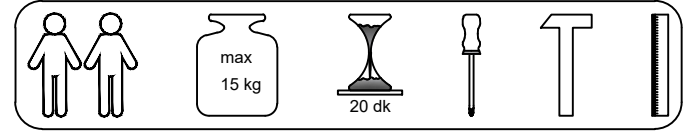


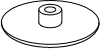


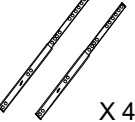

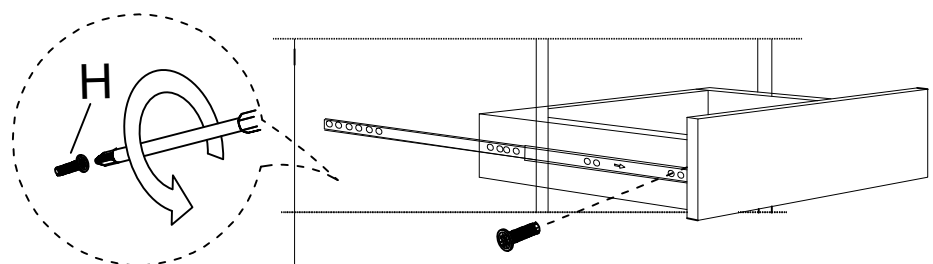
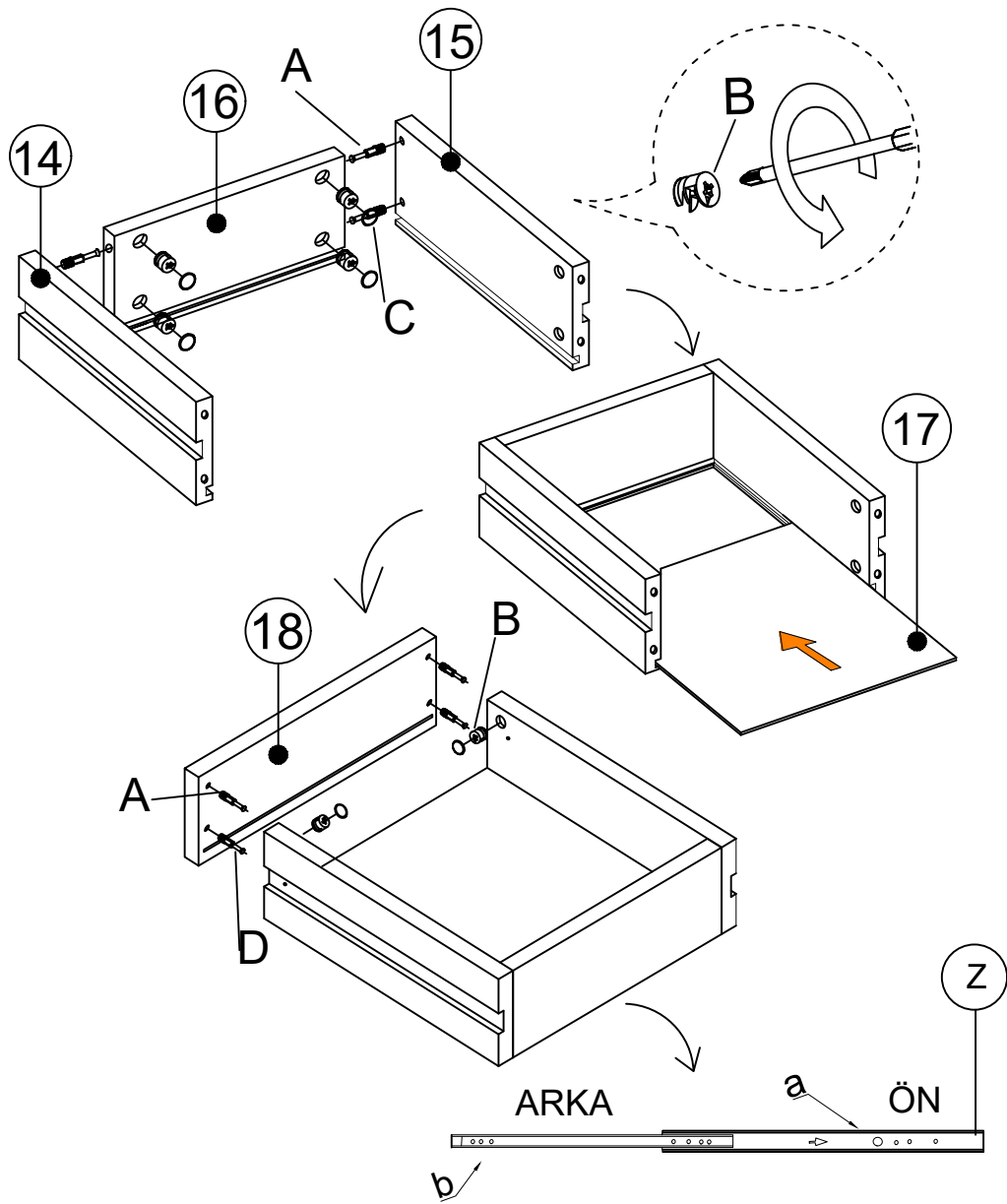


MATERIALS

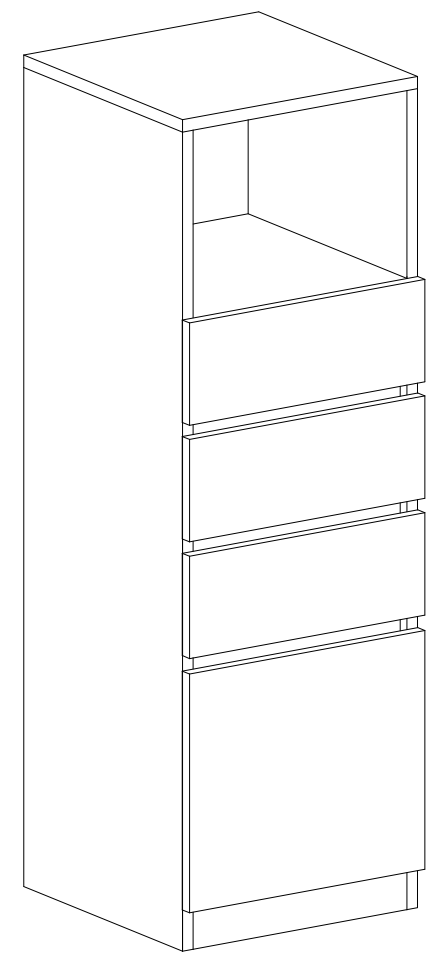


						
X 54	X 54	X 54	X 12	X 16	X 4	X 8
A	B	C	D	G	Z	H (M4x15)
MINIFIX GIB	MINIFIX BODY	MIN.STOPPER	DOWEL	3.5x18 SCREW	342MM DRAWER	DRAWER SCREW

DEC0114					
NO	NAME	PIECE	NO	İSİM	MİKTAR
1	BOTTOM PART	1 PC	1	ALT TABLA	1 Adet
2	FRONT PANEL	1 PC	2	BAZA	1 Adet
3	RIGHT SIDE PART	1 PC	3	SAĞ YAN DİKME	1 Adet
4	FRONT PANEL	3 PCS	4	ARA KAYIT	3 Adet
5	MIDDLE PART	1 PC	5	ORTA TABLA	1 Adet
6	BACK PART	1 PC	6	ARKALIK	1 Adet
7	LEFT SIDE PART	1 PC	7	SOL YAN DİKME	1 Adet
8	TOP PART	1 PC	8	ÜST TABLA	1 Adet
9	DRW. LEFT SIDE PART	3 PCS	9	ÇEKM. SOL YAN	3 Adet
10	DRW. RIGHT SIDE PART	3 PCS	10	ÇEKM. SAĞ YAN	3 Adet
11	DRW. BACK PART	3 PCS	11	ÇEKM. ARKA	3 Adet
12	DRW. BOTTOM PART	3 PCS	12	ÇEKM. ALT	3 Adet
13	DRW. FRONT PANEL	3 PCS	13	ÇEKM. ÖN	3 Adet
14	DRW. LEFT SIDE PART	1 PC	14	ÇEKM. SOL YAN	1 Adet
15	DRW. RIGHT SIDE PART	1 PC	15	ÇEKM. SAĞ YAN	1 Adet
16	DRW. BACK PART	1 PC	16	ÇEKM. ARKA	1 Adet
17	DRW. BOTTOM PART	1 PC	17	ÇEKM. ALT	1 Adet
18	DRW. FRONT PANEL	1 PC	18	ÇEKM. ÖN	1 Adet



DEC0114



DECORMET