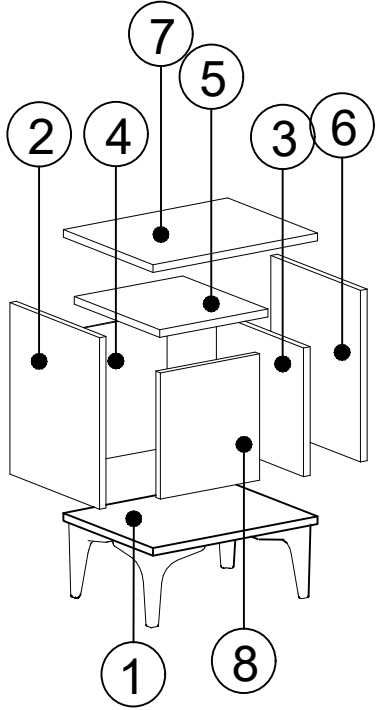
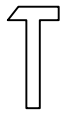
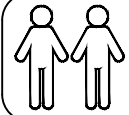





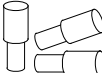
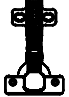


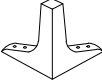



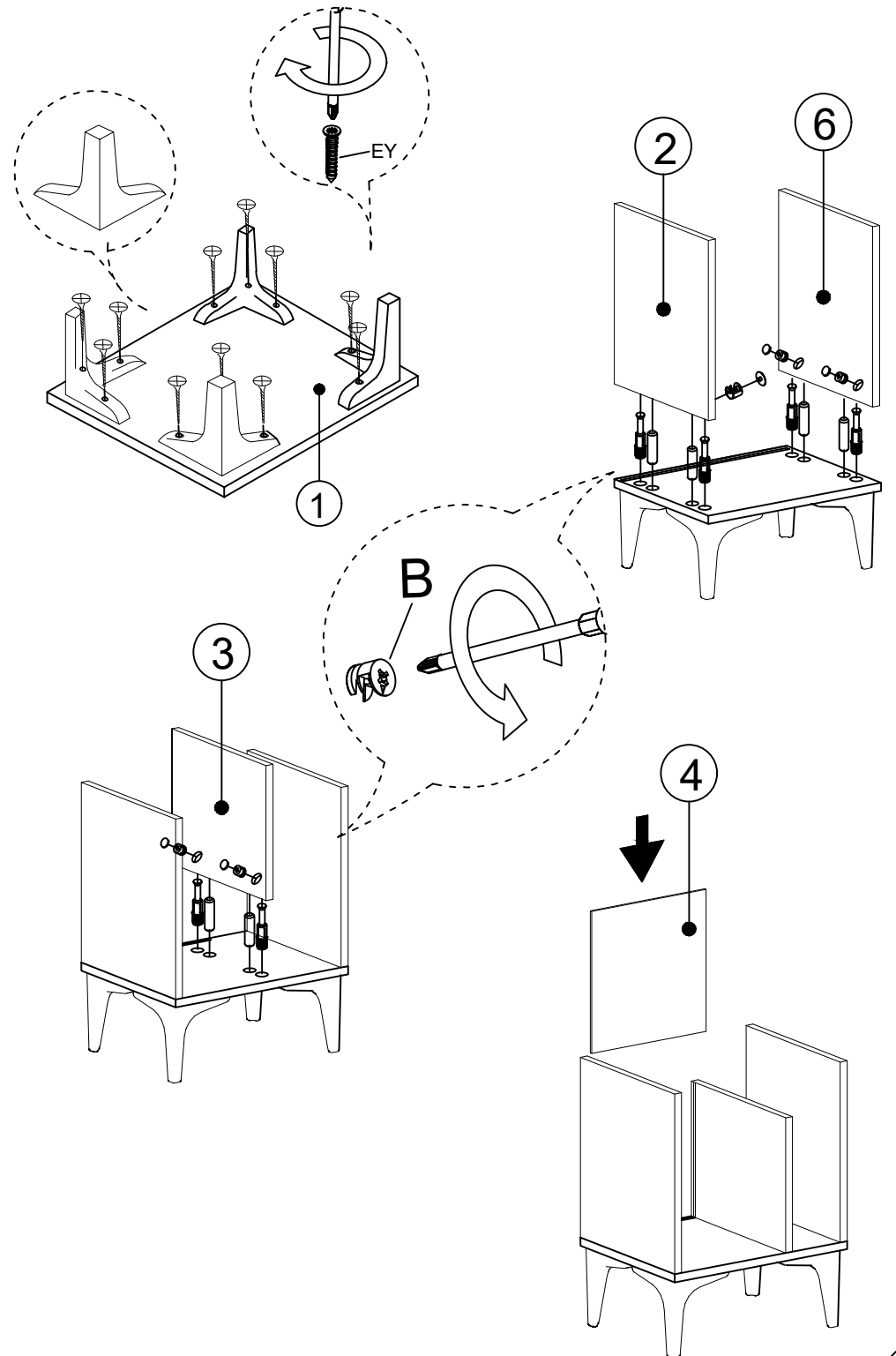
MATERIALS



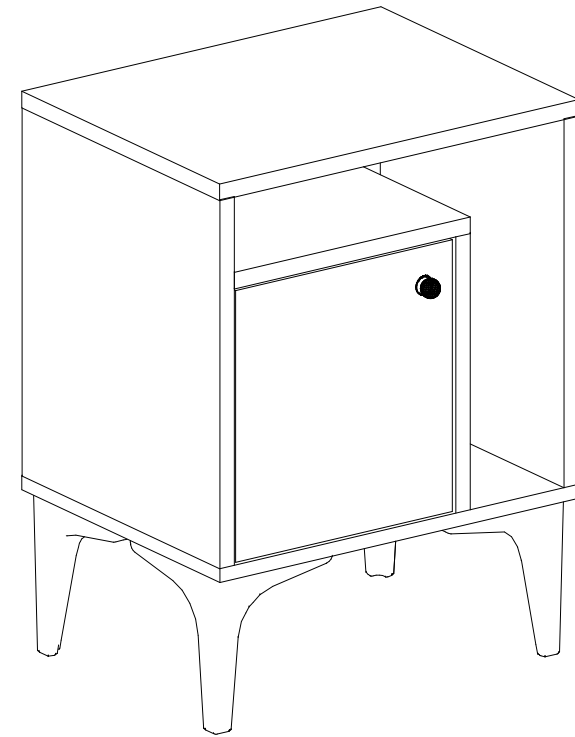
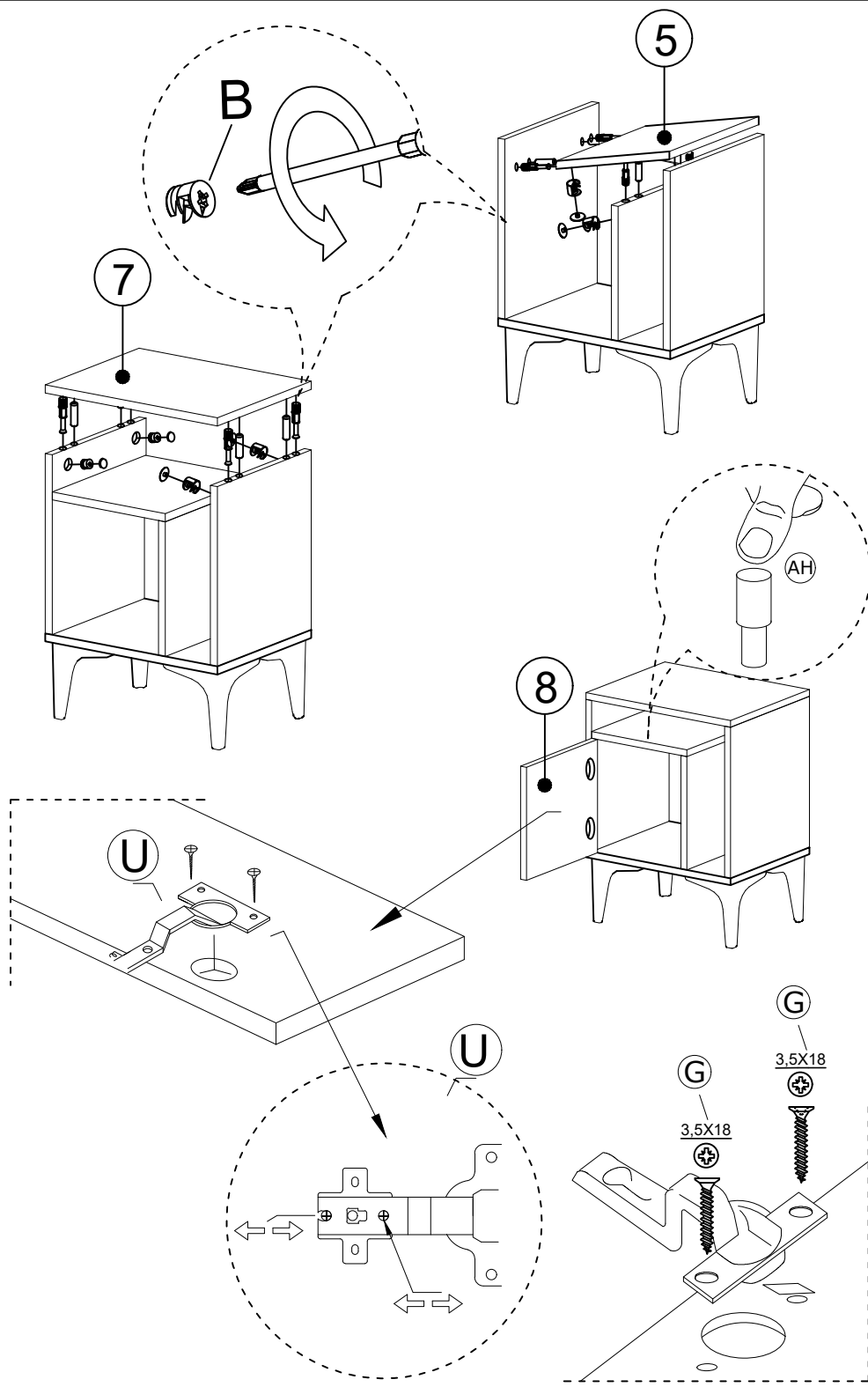
 X 14	 X 14	 X 14
A	B	C
MINIFIX GIB	MINIFIX BODY	MIN.STOPPER
 X 14	 X 8	 X 1
D	G	AH
DOWEL	3,5x18 SCREW	SHELF BUTTON
 X 2	 X 1	 X 1
U	O	R
HINGE(Crank 16)	HANDLE SCREW	HANDLE
 x4	 X 12	
BM	EY	
170 mm PVC LEG	4x30 SCREW	

DEC0117 - DEC0118

NO	NAME	PIECE	NO	İSİM	MİKTAR
1	BOTTOM PART	1 PC	1	ALT TABLA	1 Adet
2	LEFT SIDE PART	1 PC	2	SOL YAN DİKME	1 Adet
3	MIDDLE PART	1 PC	3	ORTA DİKME	1 Adet
4	BACK PART	1 PC	4	ARKALIK	1 Adet
5	TOP PART	1 PC	5	ÜST TABLA	1 Adet
6	LEFT SIDE PART	1 PC	6	SAĞ YAN DİKME	1 Adet
7	TOP PART	1 PC	7	ÜST TABLA	1 Adet
8	COVER	1 PC	8	KAPAK	1 Adet



DEC0117 - DEC0118



DECORMET