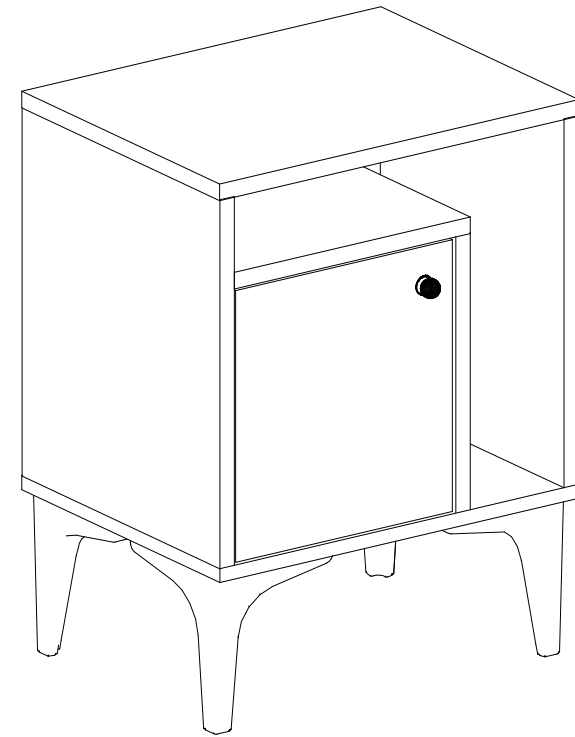
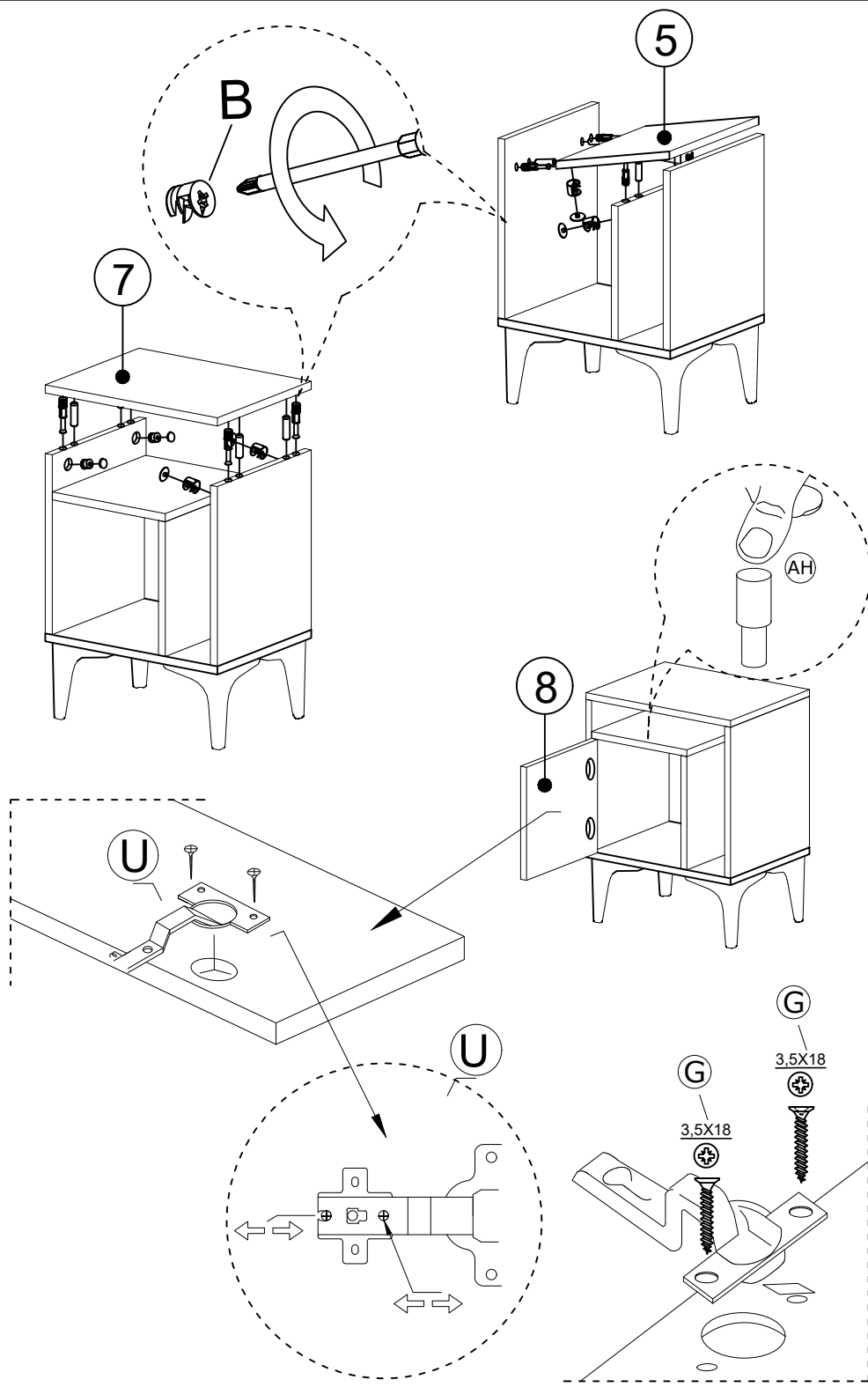
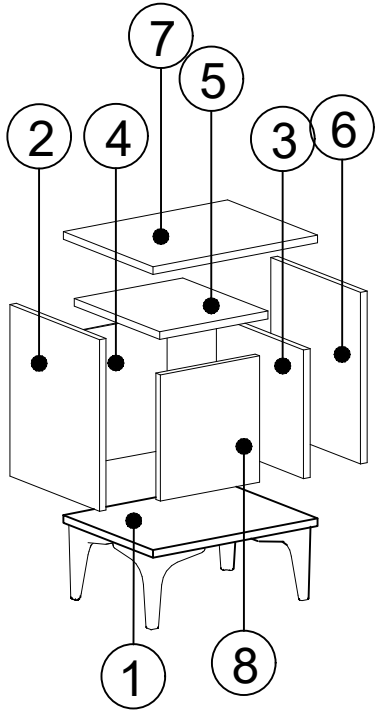
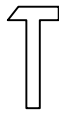
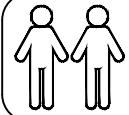




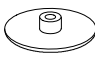


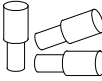
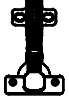


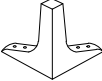

DEC0117 - DEC0118

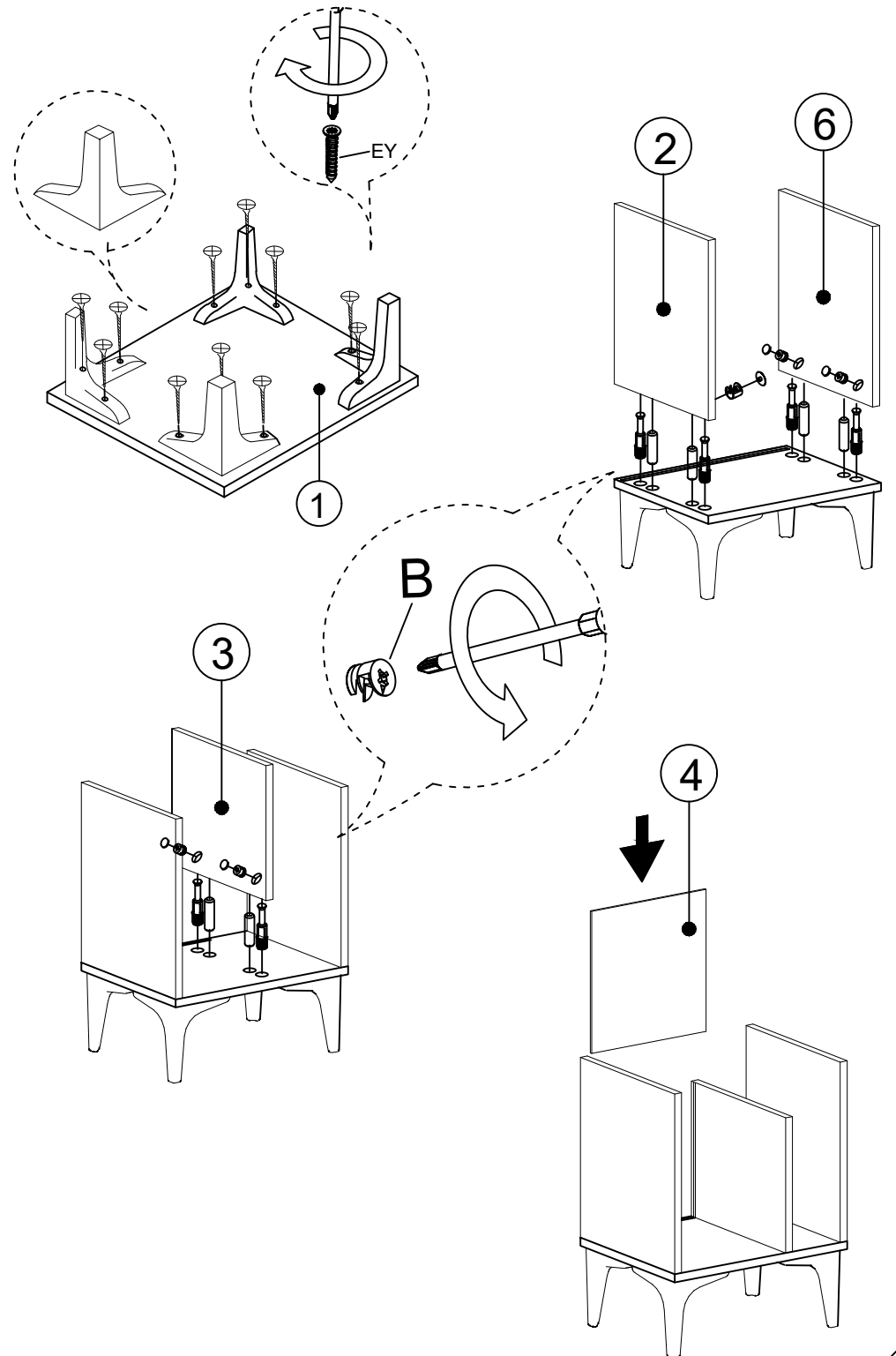


DECORMET

MATERIALS



| | | |
|---|---|--|
|  |  |  |
| X 14 | X 14 | X 14 |
| A | B | C |
| MINIFIX GIB | MINIFIX BODY | MIN.STOPPER |
|  |  |  |
| X 14 | X 8 | X 1 |
| D | G | AH |
| DOWEL | 3,5x18 SCREW | SHELF BUTTON |
|  |  |  |
| X 2 | X 1 | X 1 |
| U | O | R |
| HINGE(Crank 16) | HANDLE SCREW | HANDLE |
|  |  | |
| x4 | X 12 | |
| BM | EY | |
| 170 mm PVC LEG | 4x30 SCREW | |



DEC0117 - DEC0118

| NO | NAME | PIECE | NO | İSİM | MİKTAR |
|----|----------------|-------|----|---------------|--------|
| 1 | BOTTOM PART | 1 PC | 1 | ALT TABLA | 1 Adet |
| 2 | LEFT SIDE PART | 1 PC | 2 | SOL YAN DİKME | 1 Adet |
| 3 | MIDDLE PART | 1 PC | 3 | ORTA DİKME | 1 Adet |
| 4 | BACK PART | 1 PC | 4 | ARKALIK | 1 Adet |
| 5 | TOP PART | 1 PC | 5 | ÜST TABLA | 1 Adet |
| 6 | LEFT SIDE PART | 1 PC | 6 | SAĞ YAN DİKME | 1 Adet |
| 7 | TOP PART | 1 PC | 7 | ÜST TABLA | 1 Adet |
| 8 | COVER | 1 PC | 8 | KAPAK | 1 Adet |