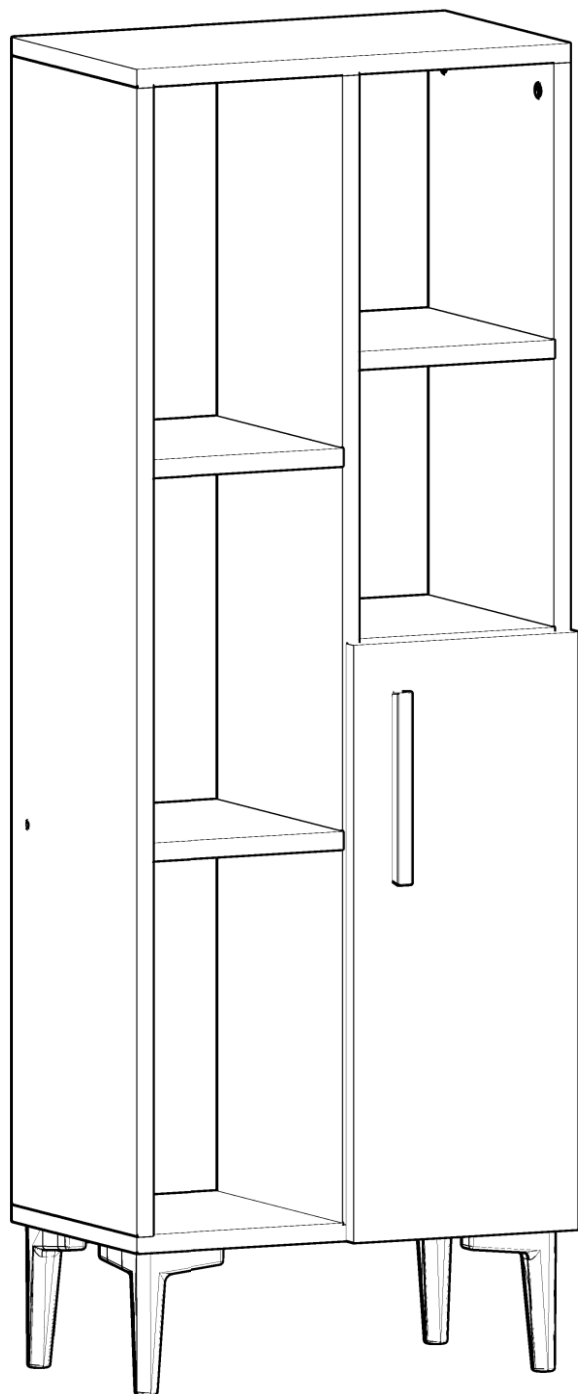


EPHESUS MULTI-PURPOSE CABINET

EPHESUS DOLAP

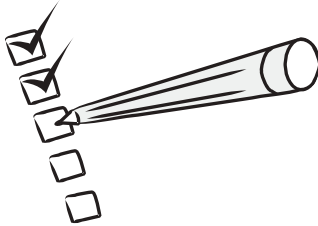
DLP-3007



Dear Customer,

We design and produce our products for people to love and have fun with them as we do.

The product you bought was subjected to all sorts of tests and control before sending out to you.



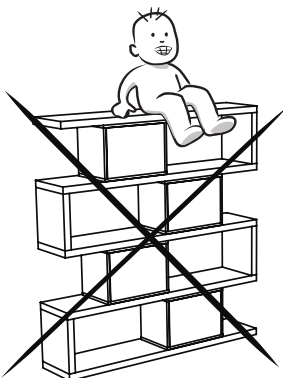
Before start assembling, please check the whole components and accessories according to the lists. If you bought more than one product, to prevent confusion be sure that you completed the first product. Then start the other product's assembling.



Before start assembling, please clean all the components with a damp cloth. Also for usual cleaning, this will be enough.



Although all the products are produced and packed carefully, sometimes happen that some component is damaged during the transportation. In such a case please check the missing or damaged part and do not hesitate to contact us. You can send e-mail to info@gmail.com or reach us at 0090 000 000 00 00

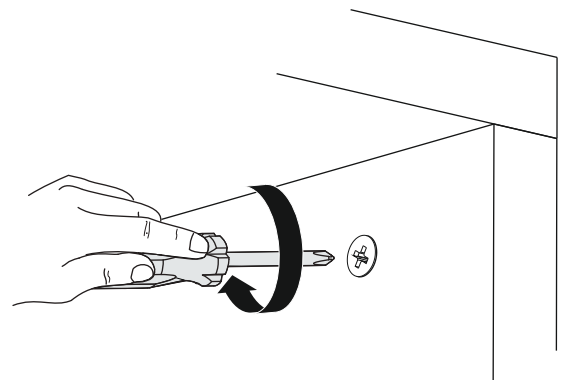
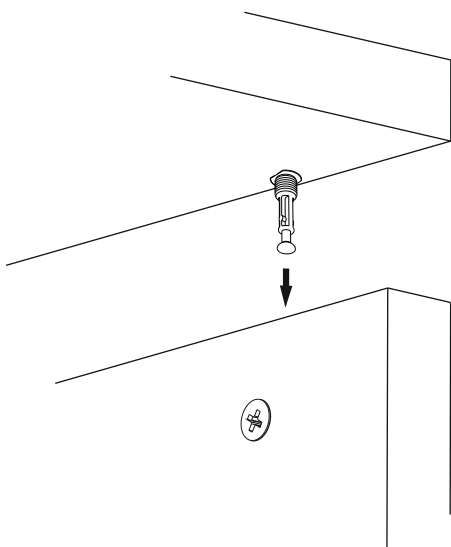
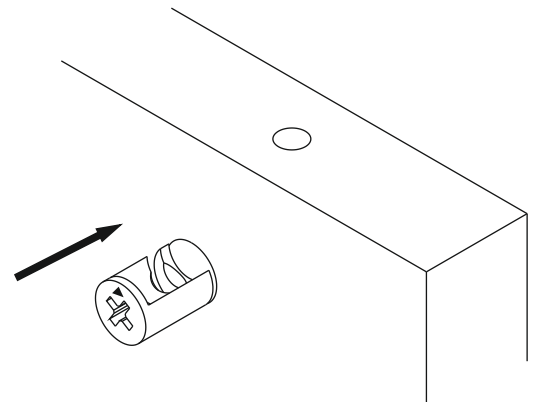
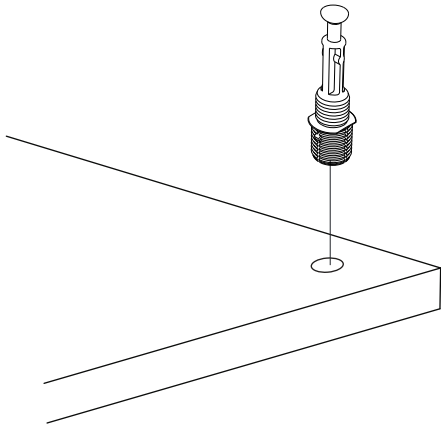
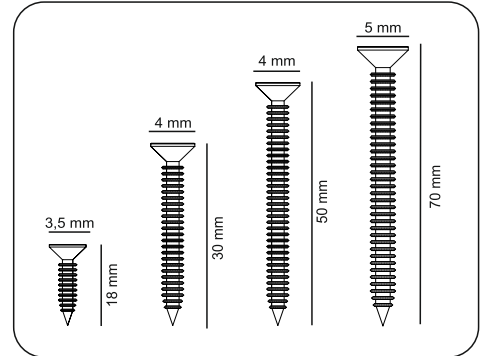
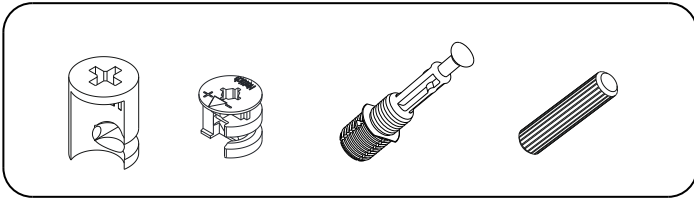


Do not use your furniture for out of purposes. If you would like to use it, please contact us for further questions.

Do not directly contact your furniture with excessive heat, cold and humidity because the product can be affected..

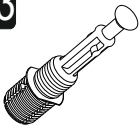


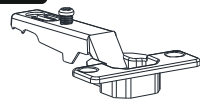
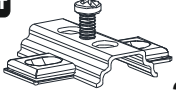


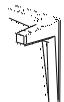



ATTENTION !!

Minifix is the main connection material used in products. Before starting assembly, please check the drawings below.

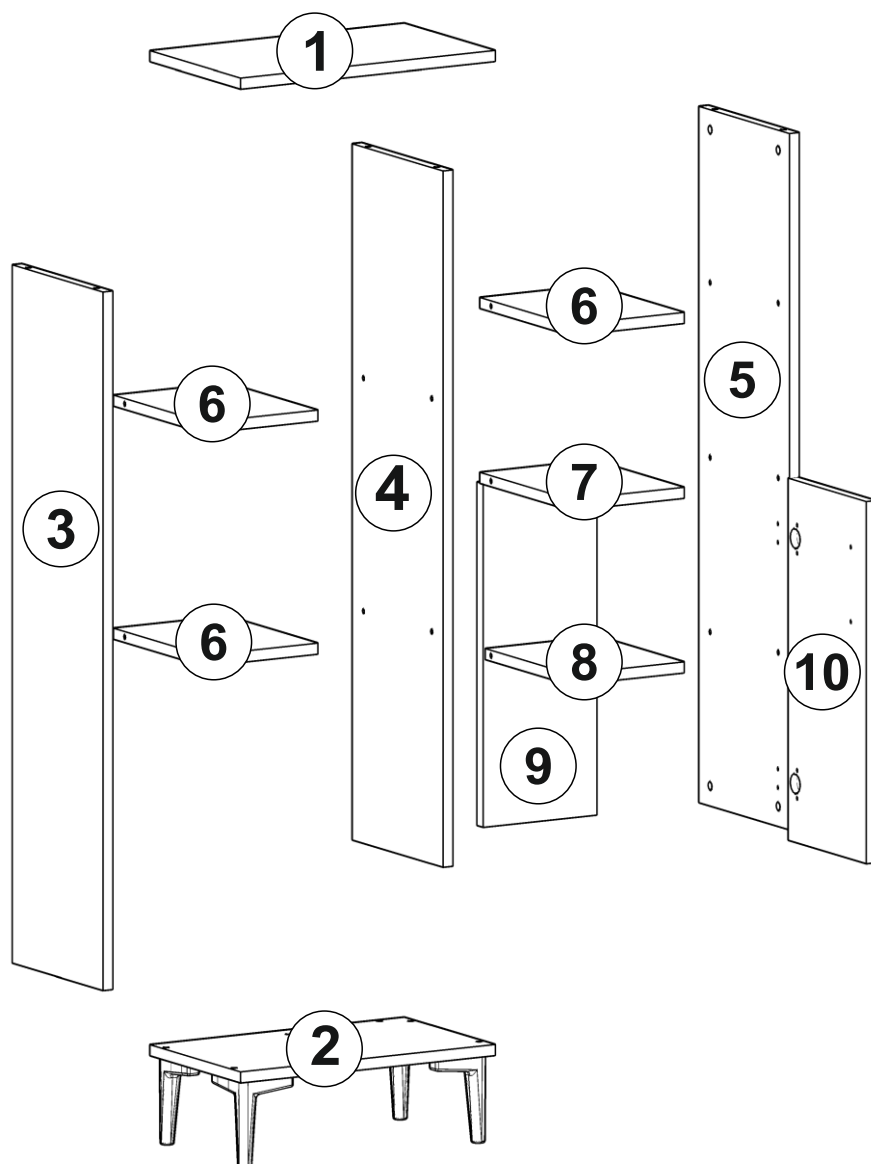


ACCESSORY LIST

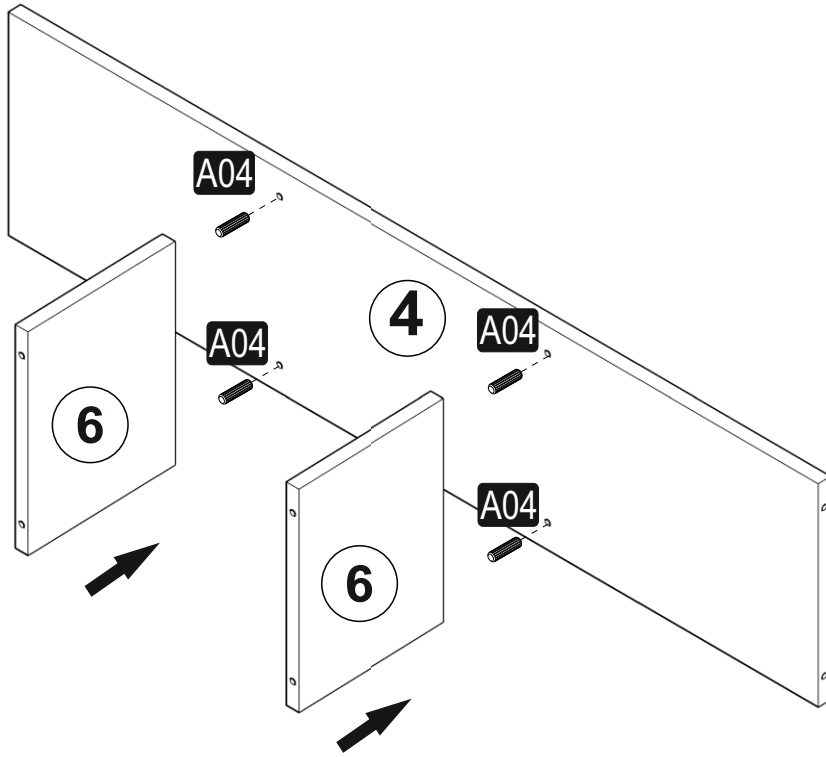
EPHESUS

A23 Minifix M8  8x34 12x	A22 Minifix G18  15x14 12x	A04 KVLVY  8x30 36x	C01 DM  2x	C04 MA  2x
A49 KLPVD  20mm 2x	A50 SYH DÜZ KLP  1x	A51 SYH MİNA AYK  4x	A18 3,5x18  24x	A06 18MM  2.RENK 4x
A06 18MM  2.RENK 8x				

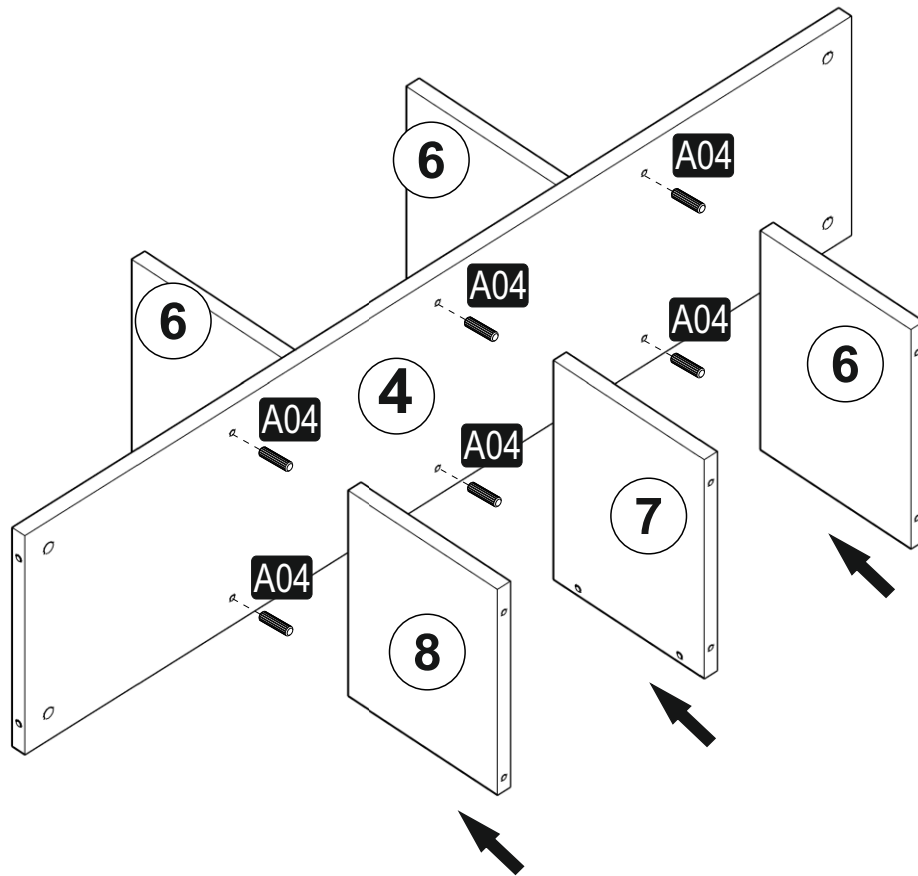
GENERAL VIEW



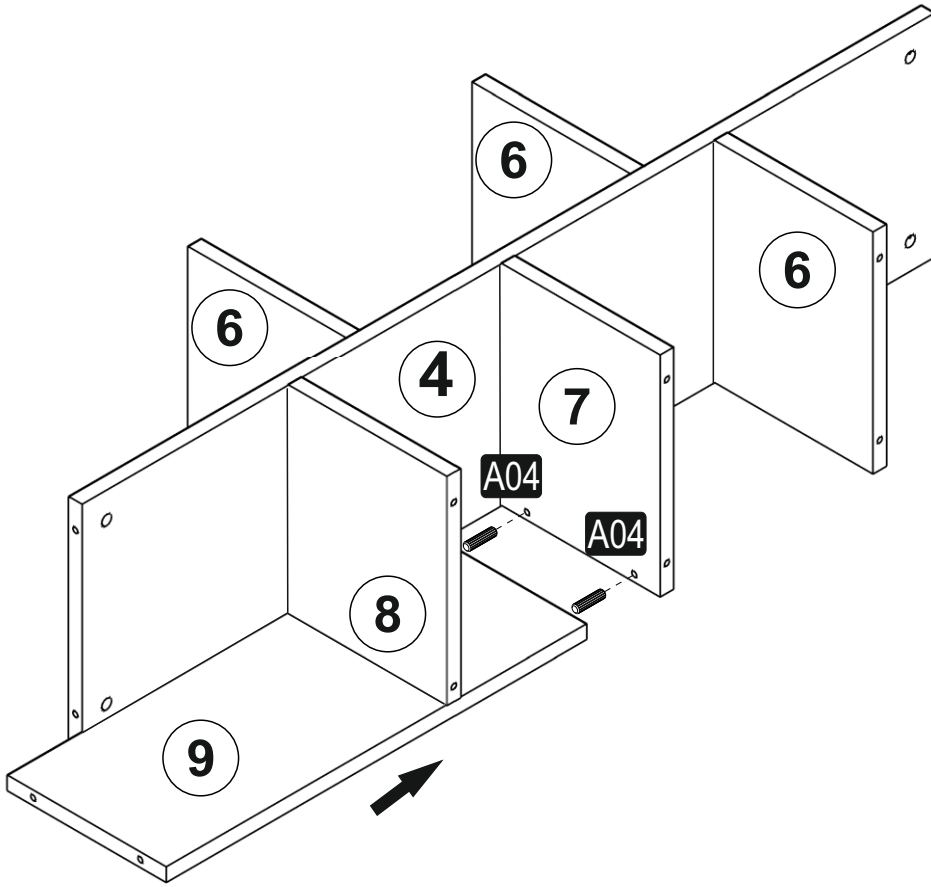
1



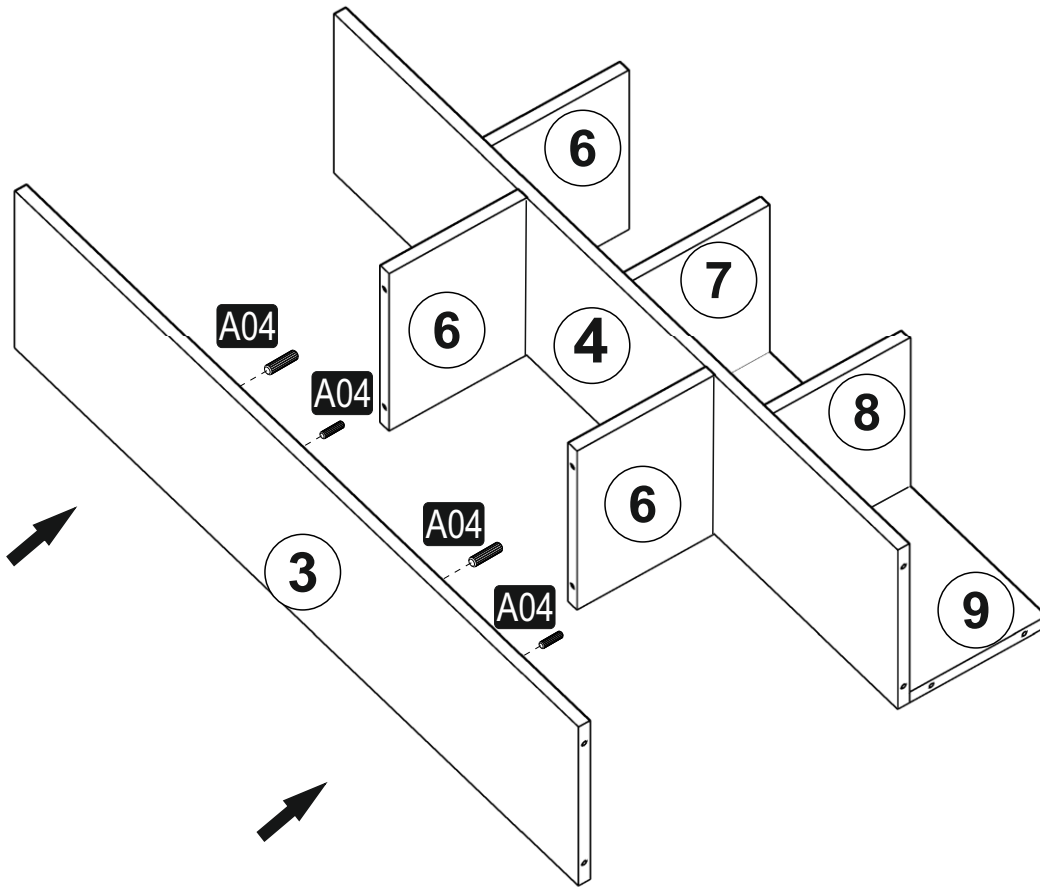
2



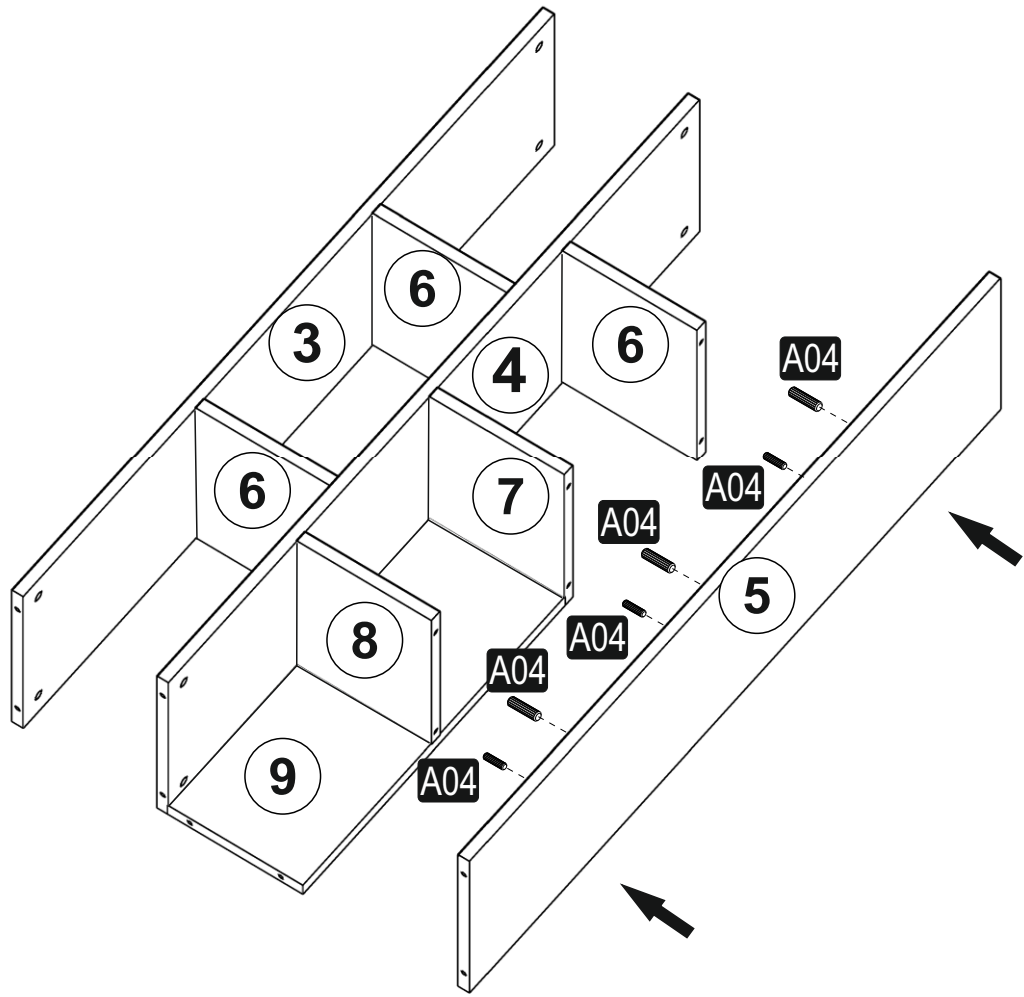
3



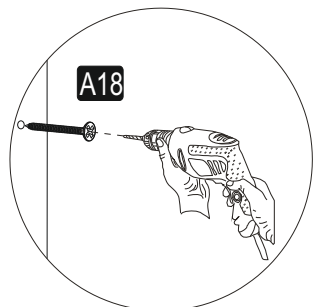
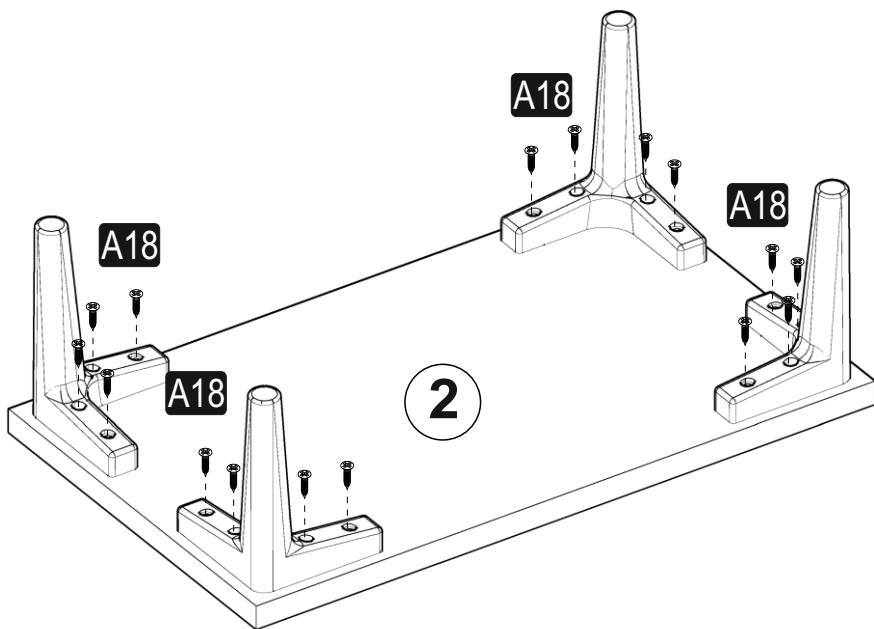
4



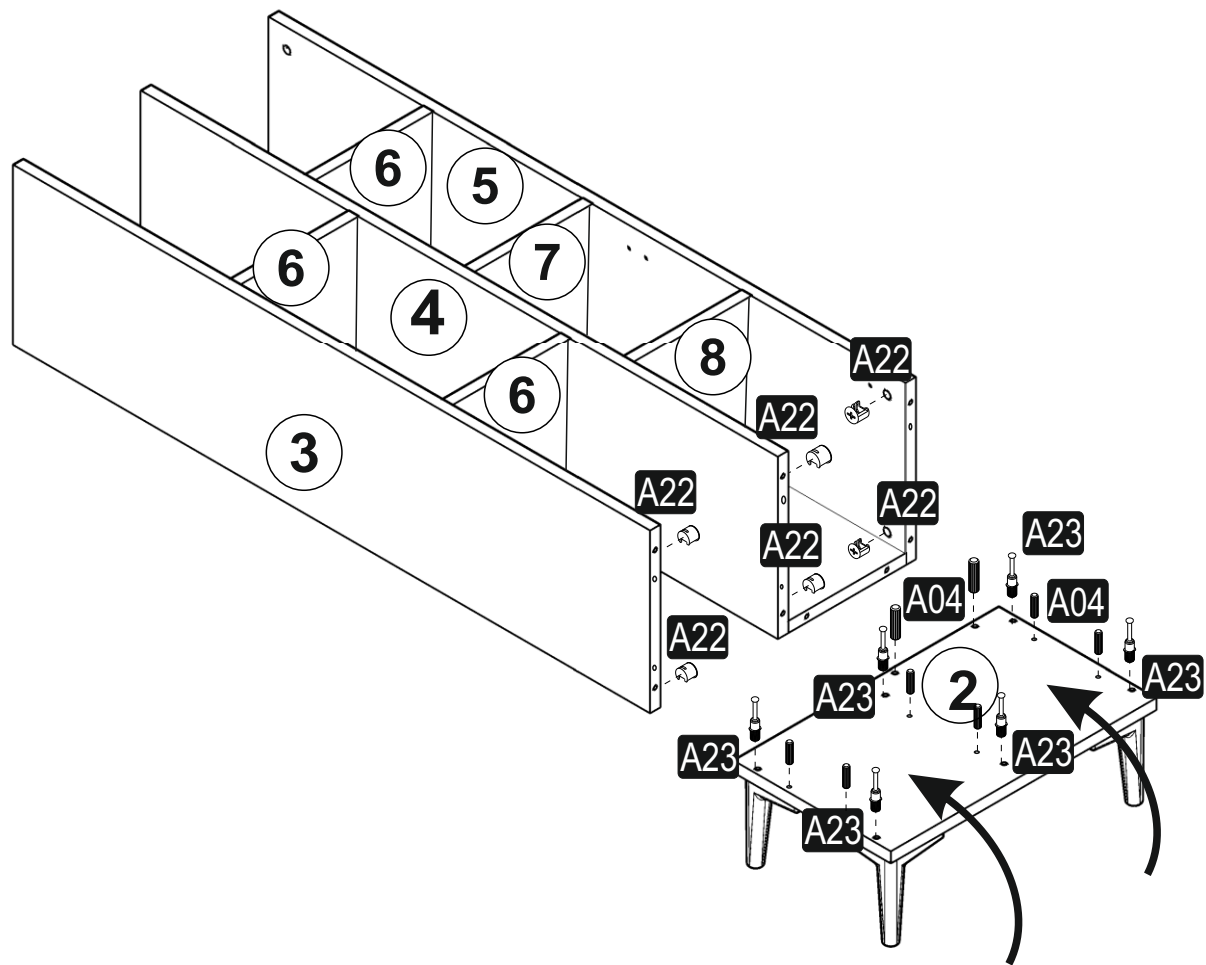
5



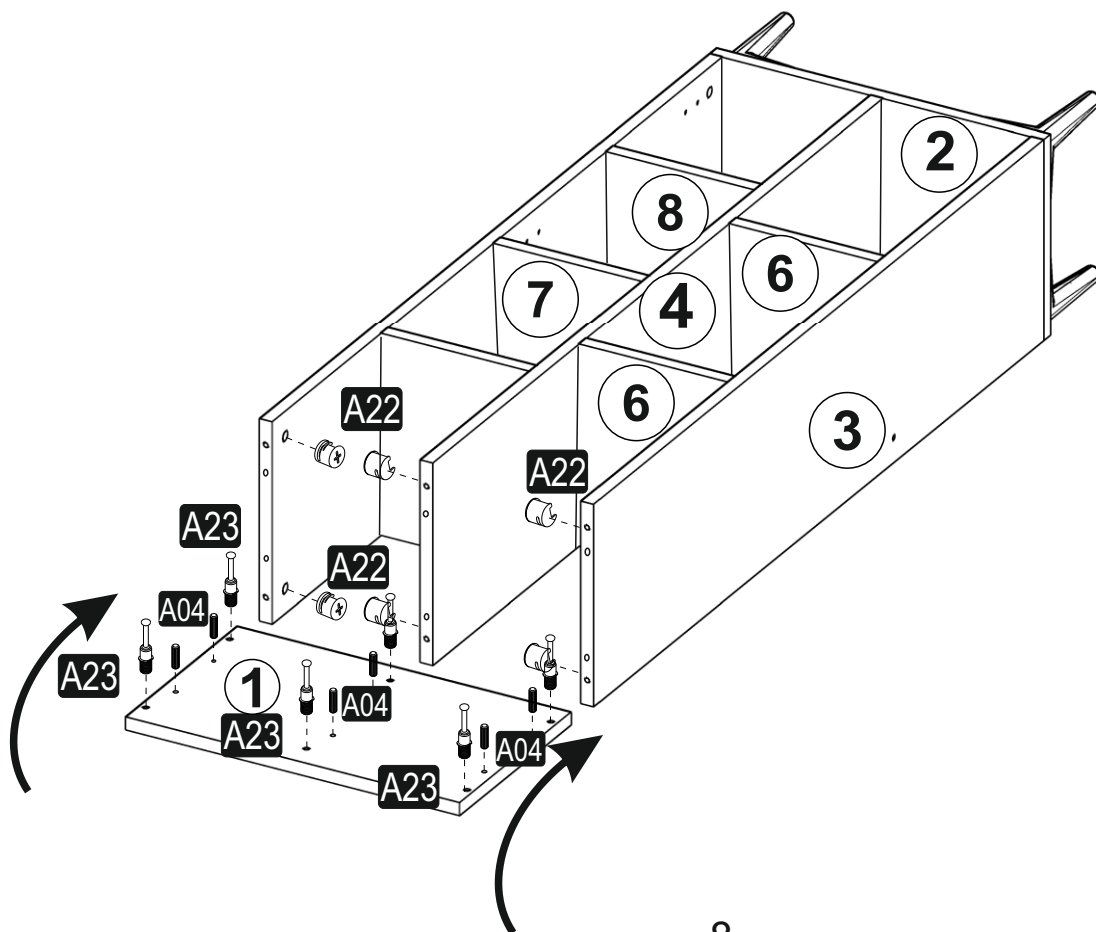
6

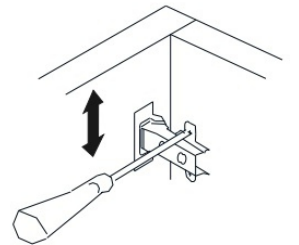
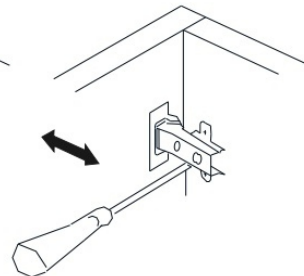
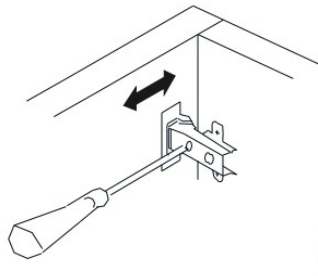
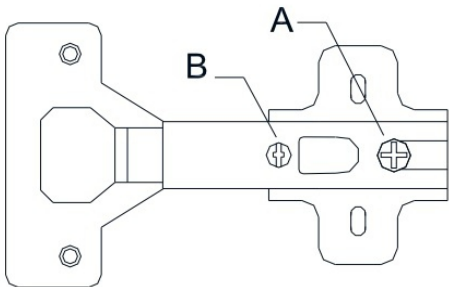
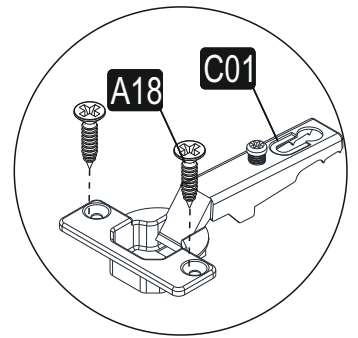
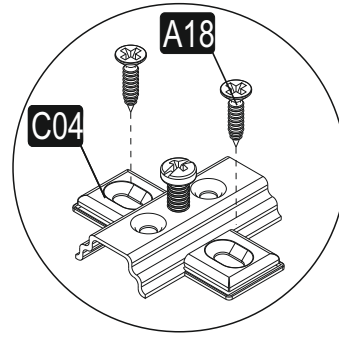
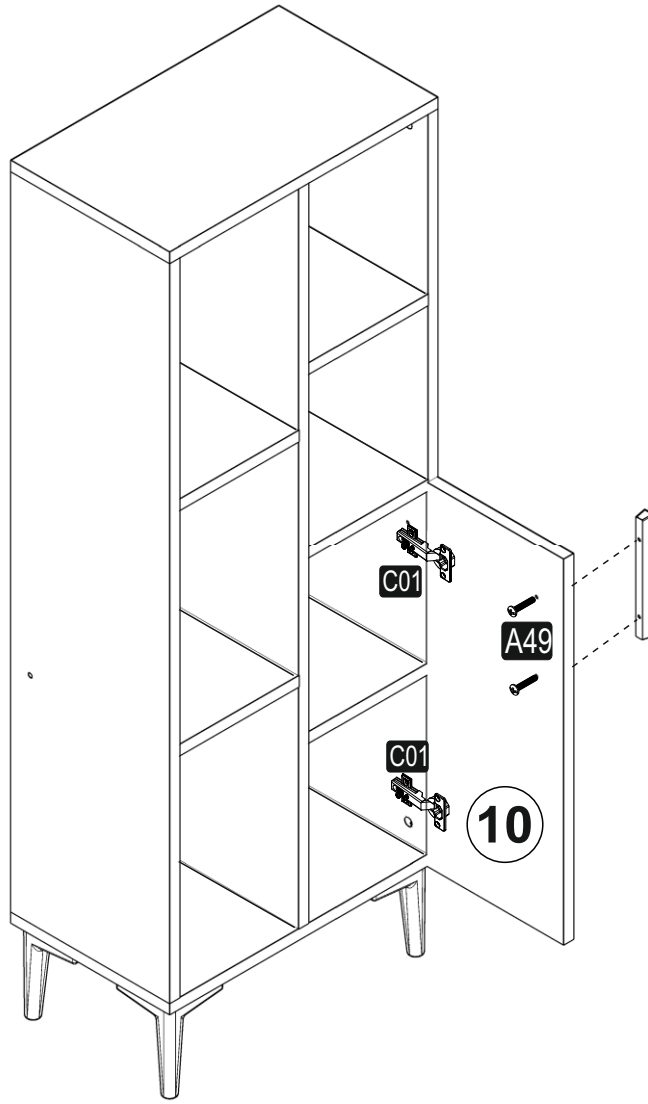


7



8





A= menteşe bağlama vidası / to connect the hinge to the door
B= kapak ayar vidası / to arrange the door

oklar kapağın ayarlama yönünü gösterir.

arrows to show the directions for arrangement of doors.

