

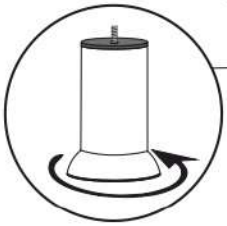
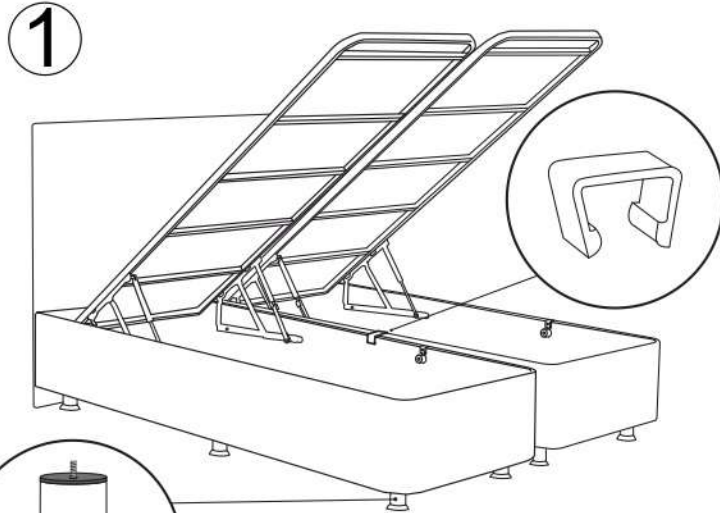
For single bed base



For double bed base



= > If the headboard is not included in the product you purchased, the headboard apparatus may not be in the box.



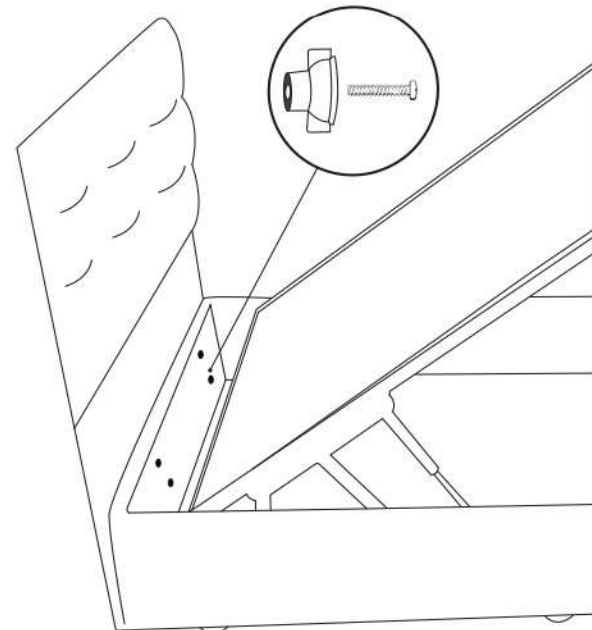
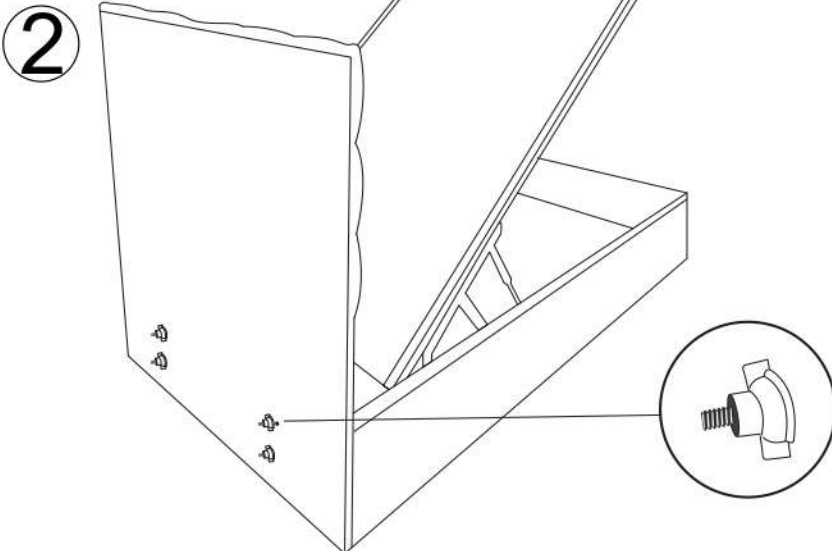
When attaching the base legs, you need to pierce the fabric under the base in line with the holes on the metal profile.

Attention!

You should pay attention to the bed base cover.

Make sure there are no children around during installation.

When you turn the base on its side, the cover may suddenly open and hit. That's why you should open the lid and then turn the base on its side.



Mark the connection points of the base or bed frame on the headboard with the help of a pencil. Drill the headboard at the marked points and fix it in place with mounting screws.

Cleaning instruction

You can wipe the metal, fabric and wooden parts of the product with a slightly damp cloth, but be careful not to let them come into contact with water.