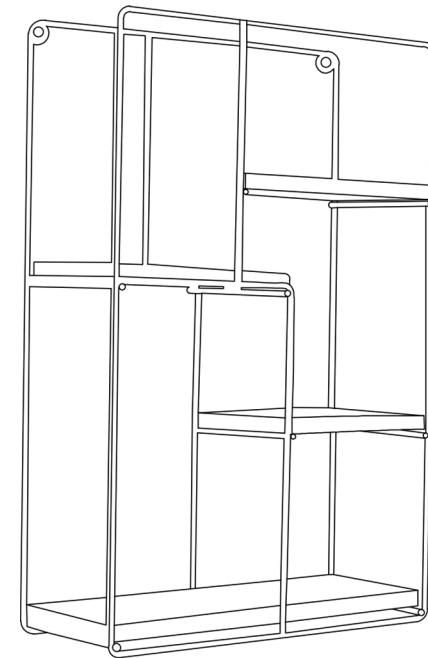


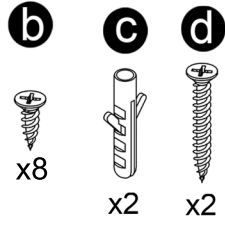
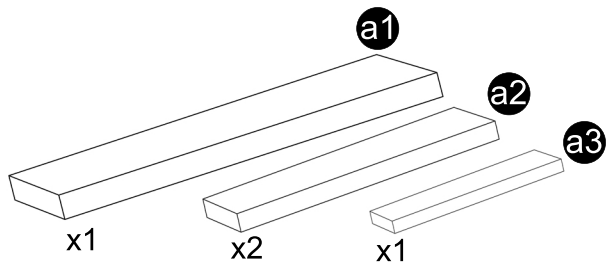
DECORATIVE WALL SHELF

Assembly Guide

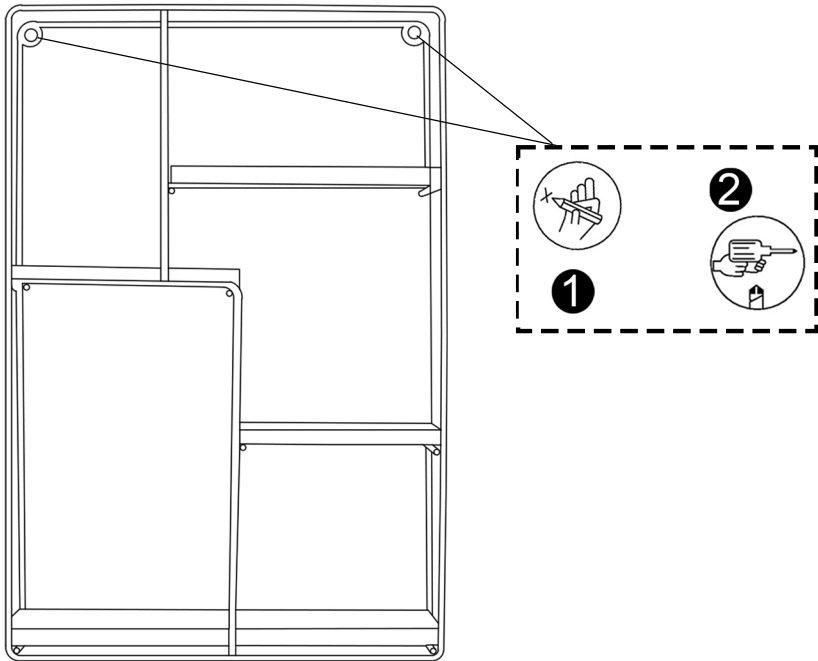


Hang the rack you prepared into the wall dowels by screwing.

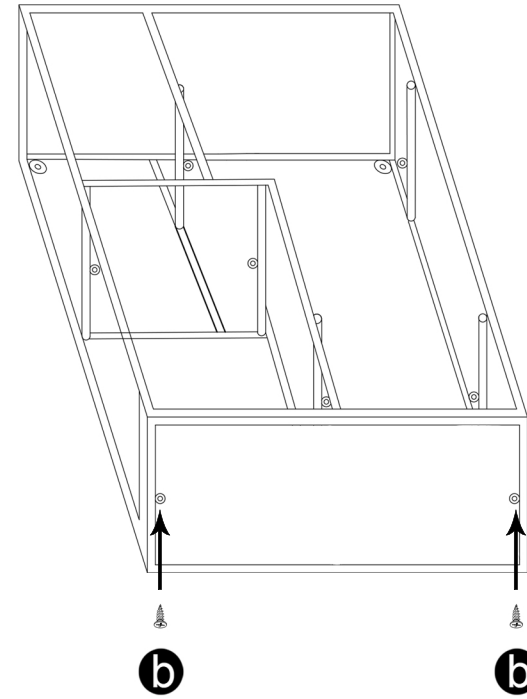
ACCESSORIES LIST



1 Mark the hole locations by aligning the wire rack to the wall.



2 Drill the areas you marked.



Screw the wooden shelves into the screw slots on the wire.