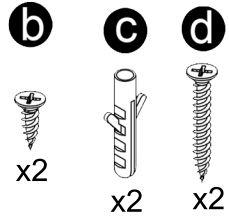
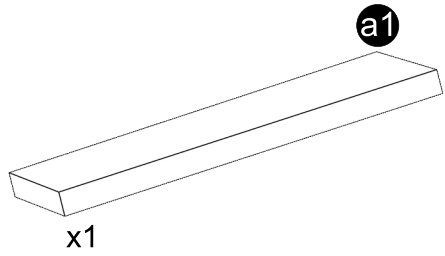
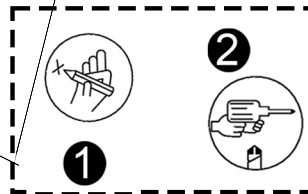
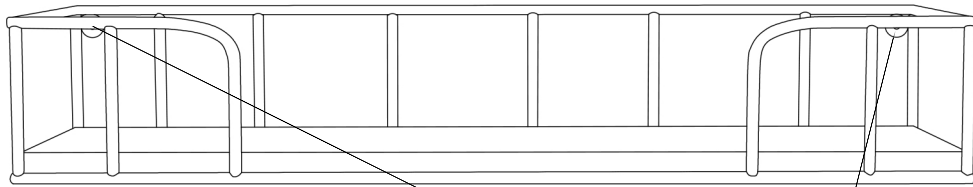


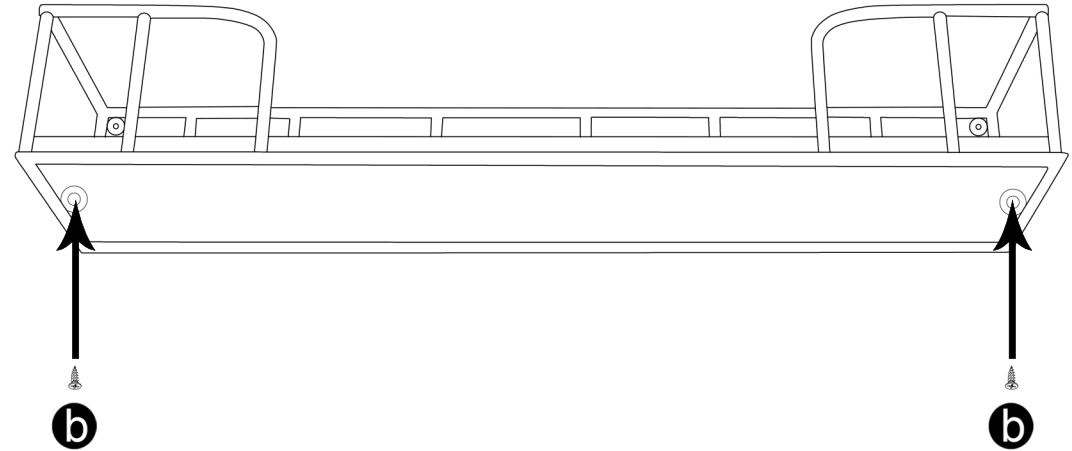
ACCESSORIES LIST



1 Mark the hole locations by aligning the wire rack to the wall.



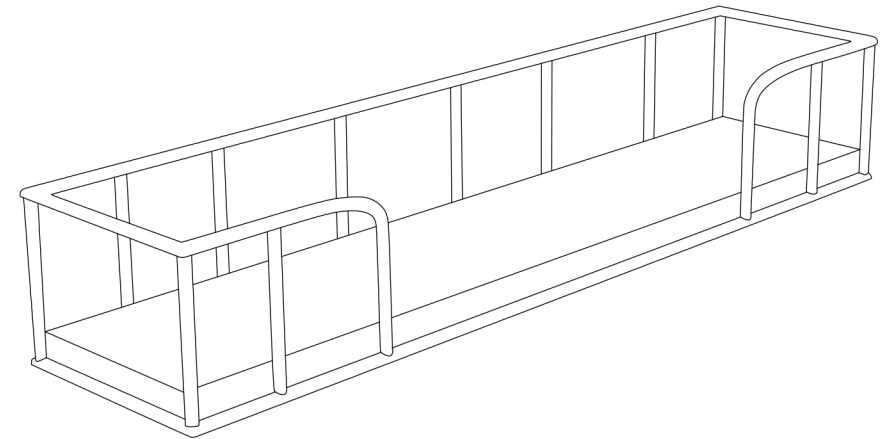
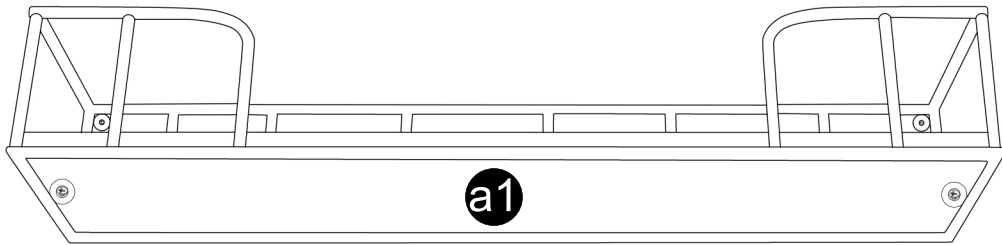
2 Drill the areas you marked.



Screw the wooden shelves into the screw slots on the wire.

DECORATIVE WALL SHELF

Assembly Guide



Hang the rack you prepared into the wall dowels by screwing.