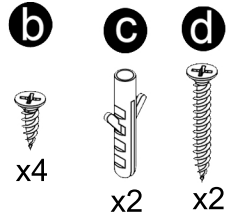
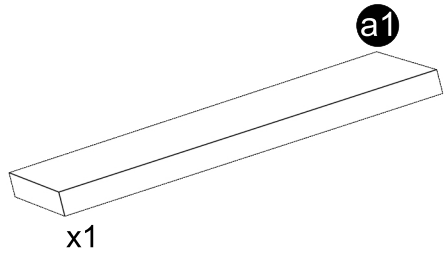
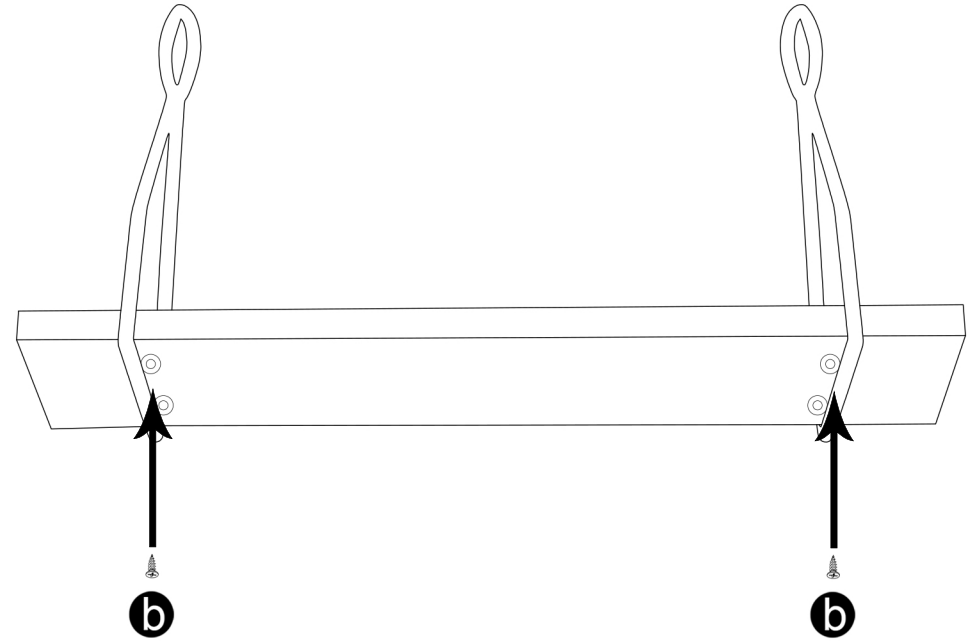


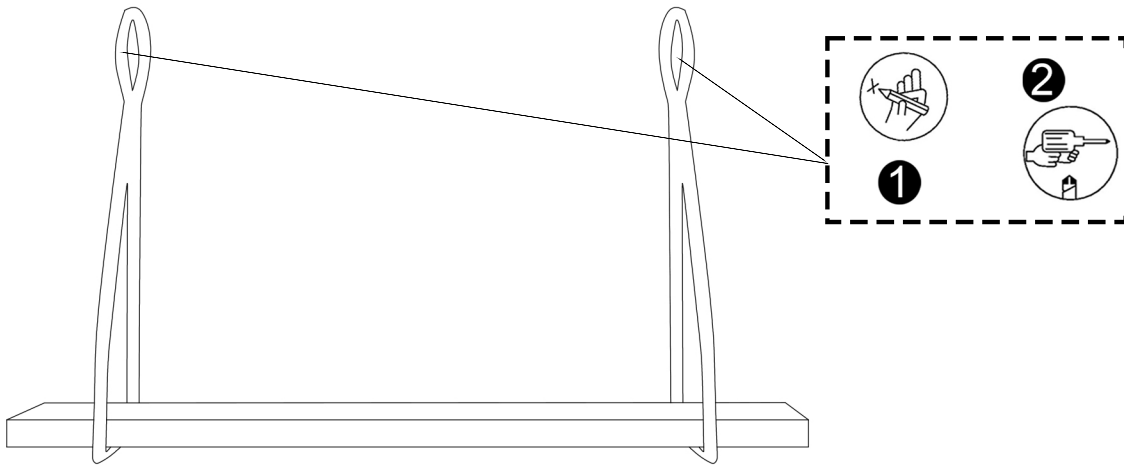
ACCESSORIES LIST



1 Mark the hole locations by aligning the wire rack to the wall.



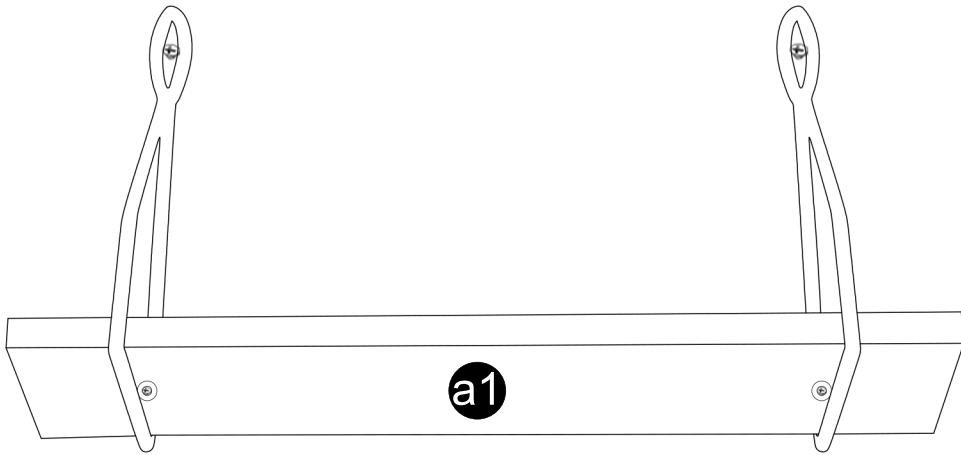
Screw the wooden shelves into the screw slots on the wire.



2 Drill the areas you marked.

DECORATIVE WALL SHELF

Assembly Guide



Hang the rack you prepared into the wall dowels by screwing.

