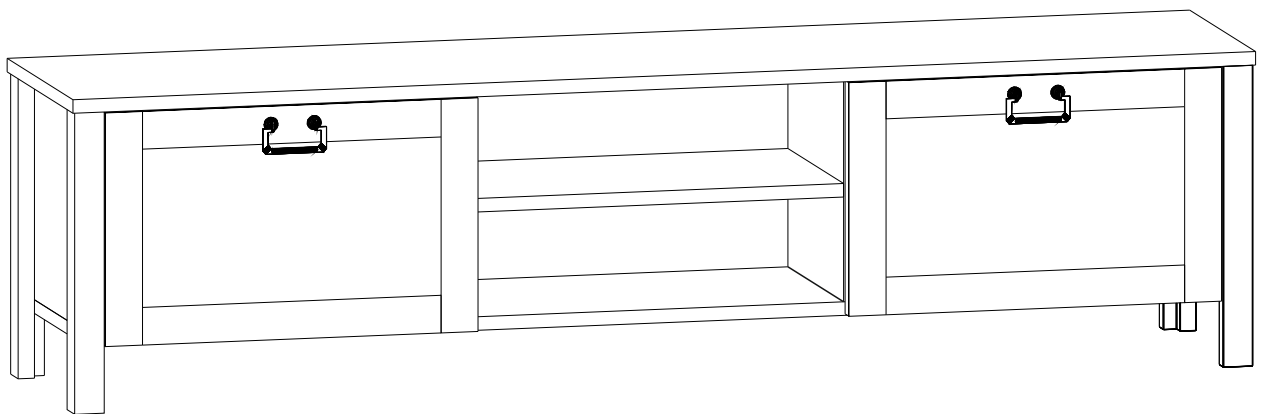
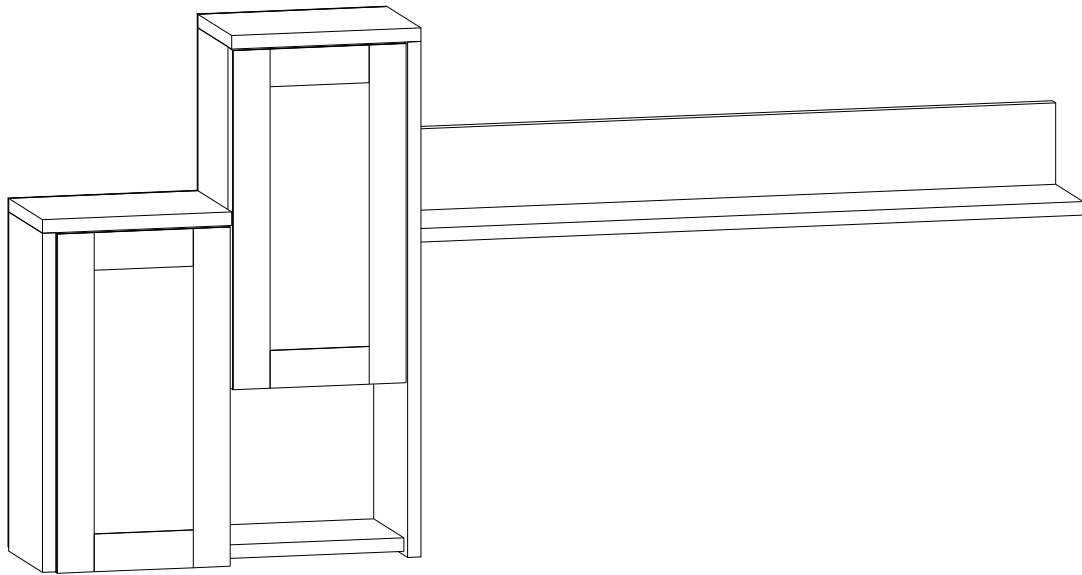
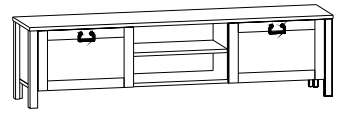
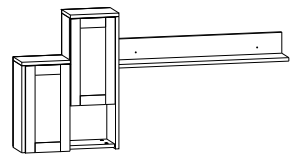


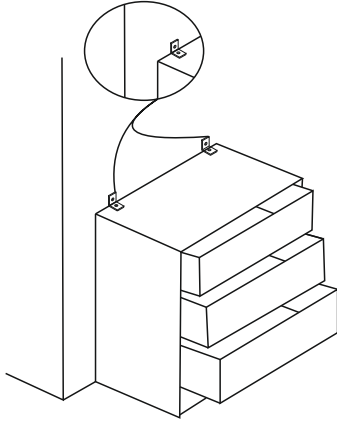
# SENTO



Dear Customer,

We design and produce our products for people to love and have fun with them as we do.

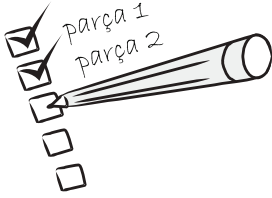
The product you bought was subjected to all sorts of tests and control before sending out to you.



**Attention!**

Using excessive force to the furniture can cause furniture to fall

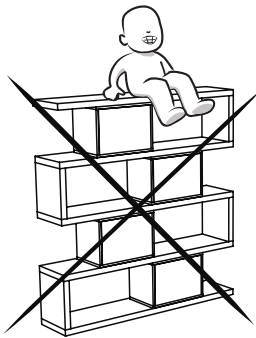
This can damage you both financially and physically. In order to avoid this situation, please use wall mounting fixtures



Before start assembling, please check the whole components and accessories according to the lists. If you bought more than one product, to prevent confusion be sure that you completed the first product. Then start the other product's assembling.



Before start assembling, please clean all the components with a damp cloth. Also for usual cleaning, this will be enough.

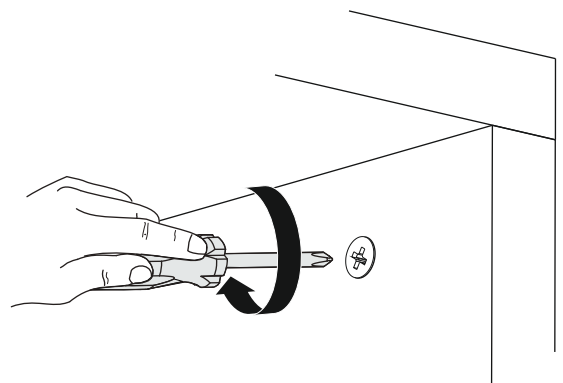
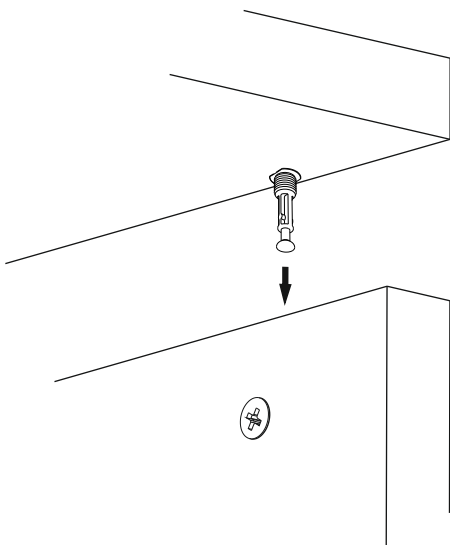
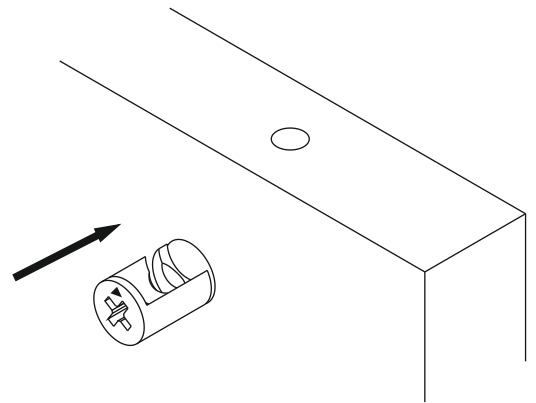
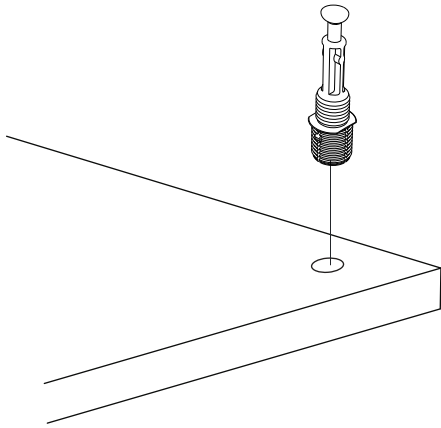
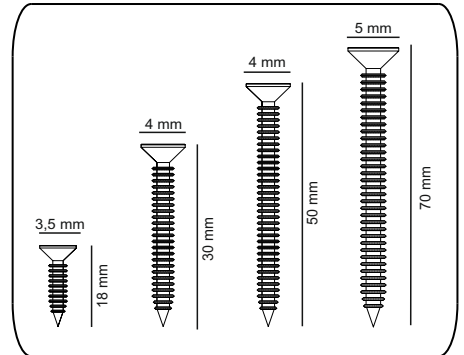
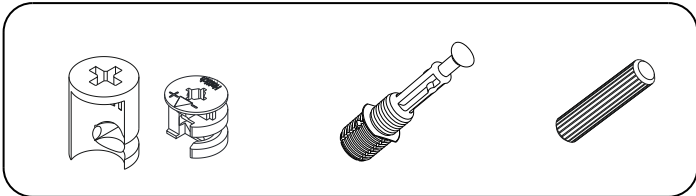


Do not use your furniture for out of purposes. If you would like to use it, please contact us for further questions.

Do not directly contact your furniture with excessive heat, cold and humidity because the product can be affected..

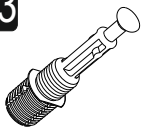
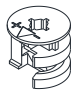

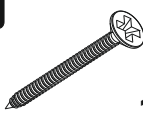
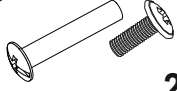

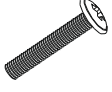

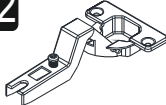
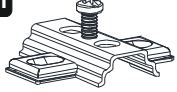


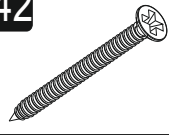
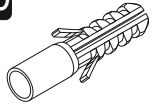
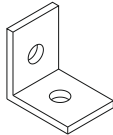
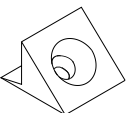
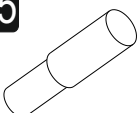
# ATTENTION !!

Minifix is the main connection material used in products. Before starting assembly, please check the drawings below.



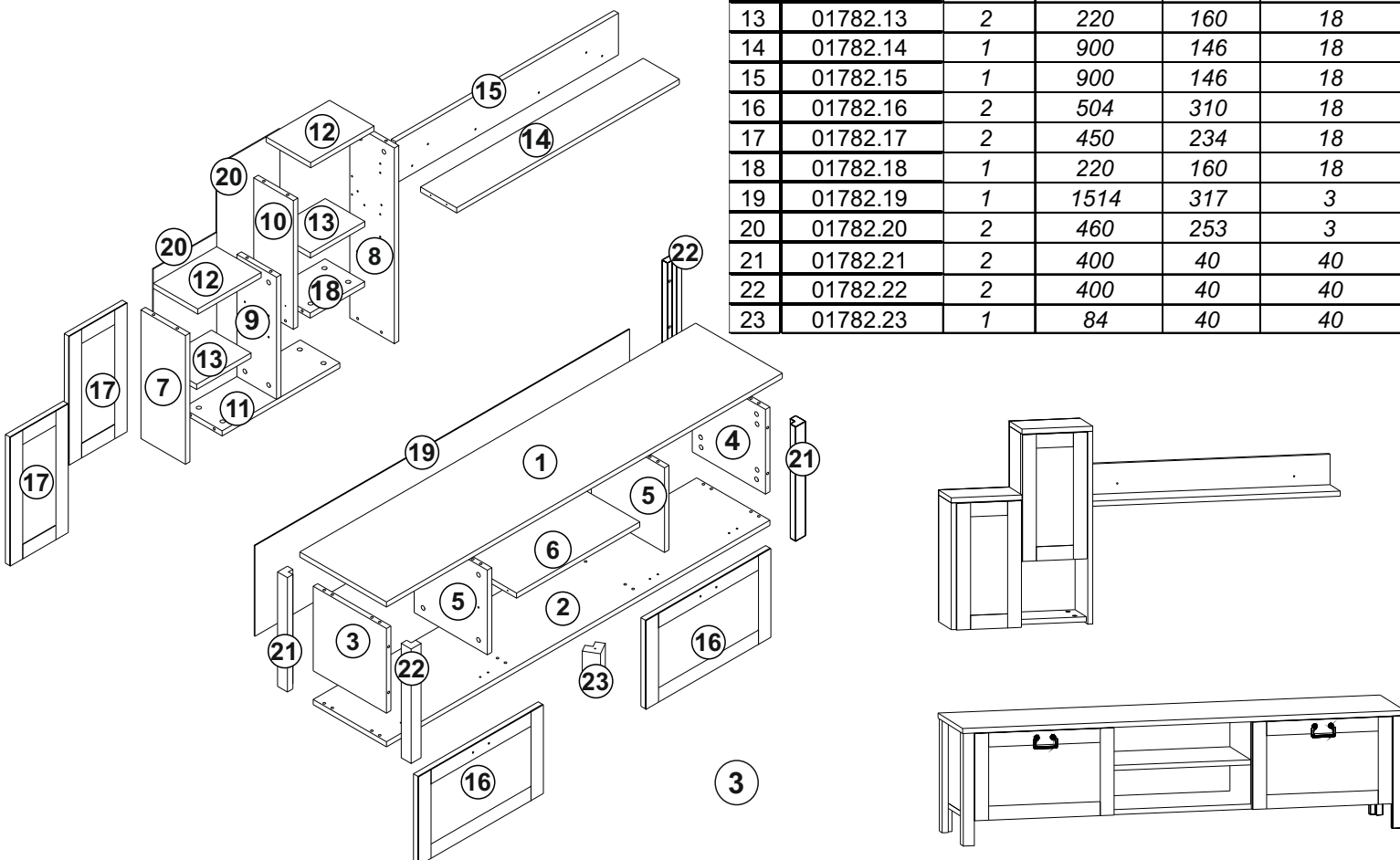
# ACCESSORY LIST

SENTO TV - 01782

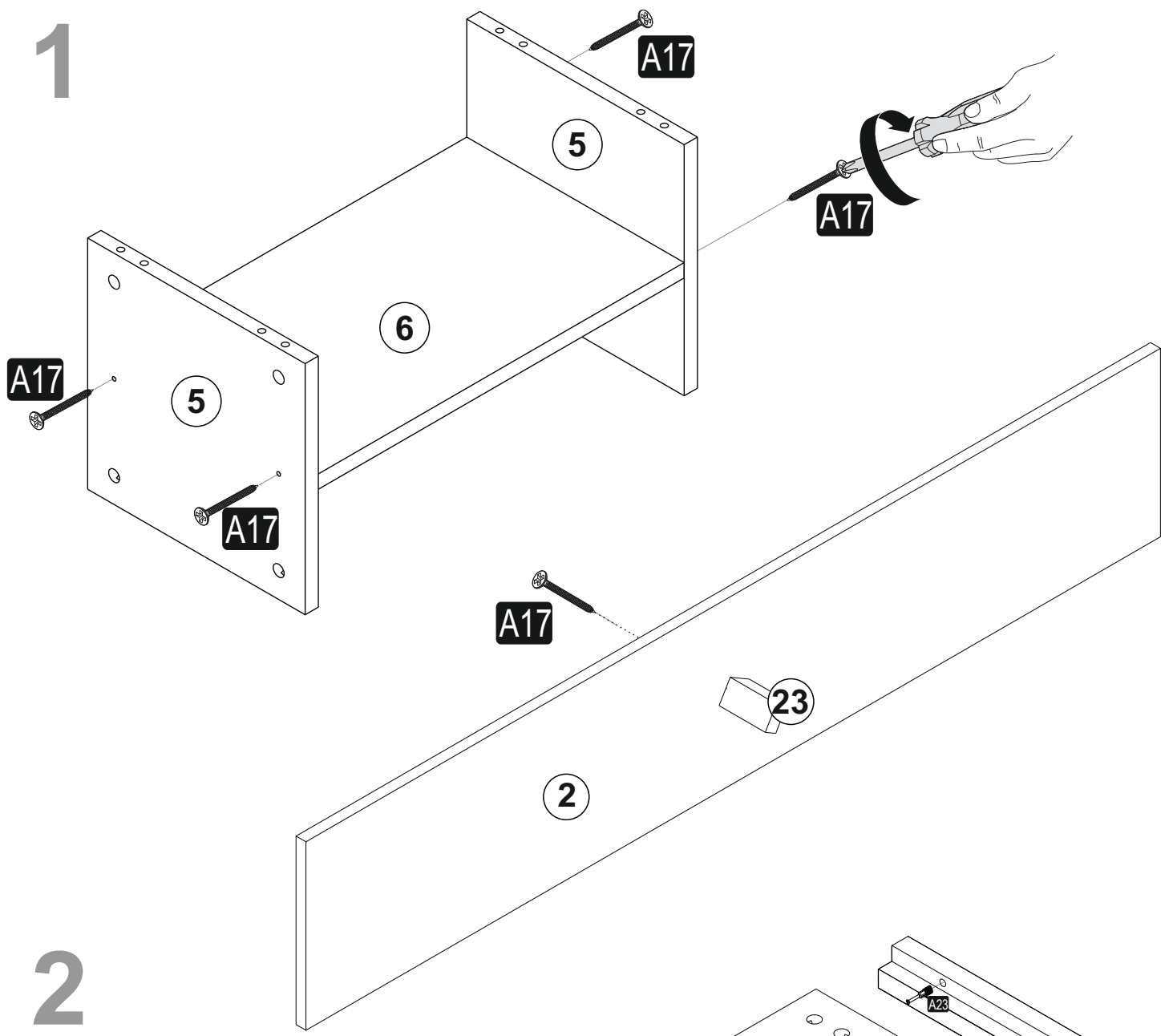
<b>A23</b> Minifix M10  43x	<b>A22</b> Minifix G18  43x	<b>A04</b> KVLY  16x	<b>A17</b> 4x50  15X	<b>V41</b> MNTBNT  5x30 2x
<b>K18</b> BYZ  byz 2x	<b>V01</b> KLPVD  25mm 4x	<b>C01</b> DM  4x	<b>C02</b> SDM  4x	<b>C04</b> MA  8x
<b>A48</b> AC  40x	<b>A18</b> 3,5x18  39x	<b>A42</b> 5x70  2x	<b>A16</b> DB 8mm  4x	<b>A15</b> LA  byz 2x
<b>A10</b> 14mm KMN CVZ 2x	<b>A10</b> 14mm E.BYZ 1x	<b>A06</b> 18 mm E.BYZ 43x	<b>Z24</b>  5x	<b>A65</b> RP  8x

## GENERAL VIEW

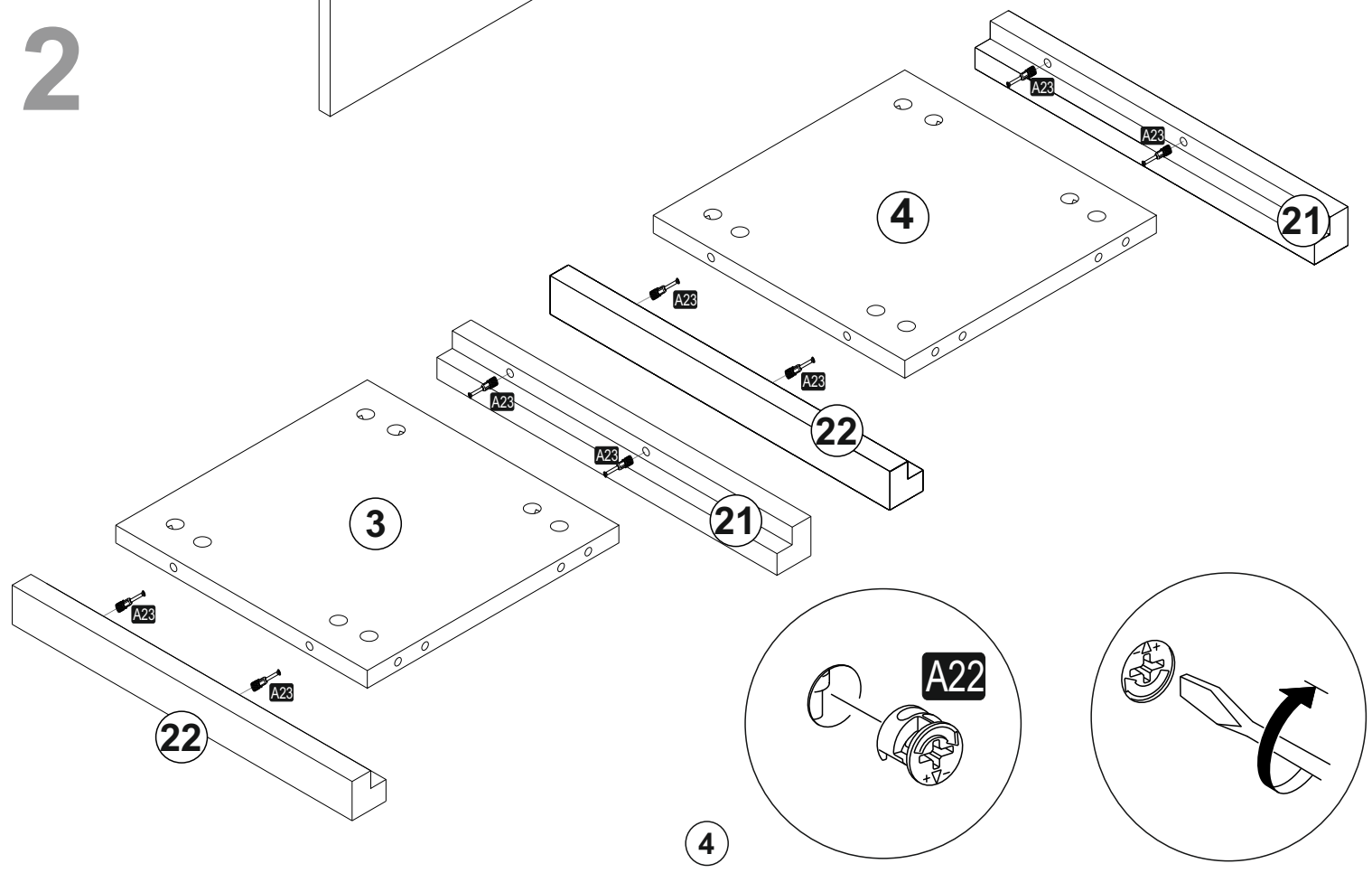
NO	PART CODE	PIECE	LENGHT	WIDHT	THICKNESS
1	01782.01	1	1600	350	18
2	01782.02	1	1550	296	18
3	01782.03	1	296	296	18
4	01782.04	1	296	296	18
5	01782.05	2	296	296	18
6	01782.06	1	498	296	18
7	01782.07	1	450	180	18
8	01782.08	1	684	180	18
9	01782.09	1	427	160	18
10	01782.10	1	450	160	18
11	01782.11	1	476	160	18
12	01782.12	2	256	180	18
13	01782.13	2	220	160	18
14	01782.14	1	900	146	18
15	01782.15	1	900	146	18
16	01782.16	2	504	310	18
17	01782.17	2	450	234	18
18	01782.18	1	220	160	18
19	01782.19	1	1514	317	3
20	01782.20	2	460	253	3
21	01782.21	2	400	40	40
22	01782.22	2	400	40	40
23	01782.23	1	84	40	40



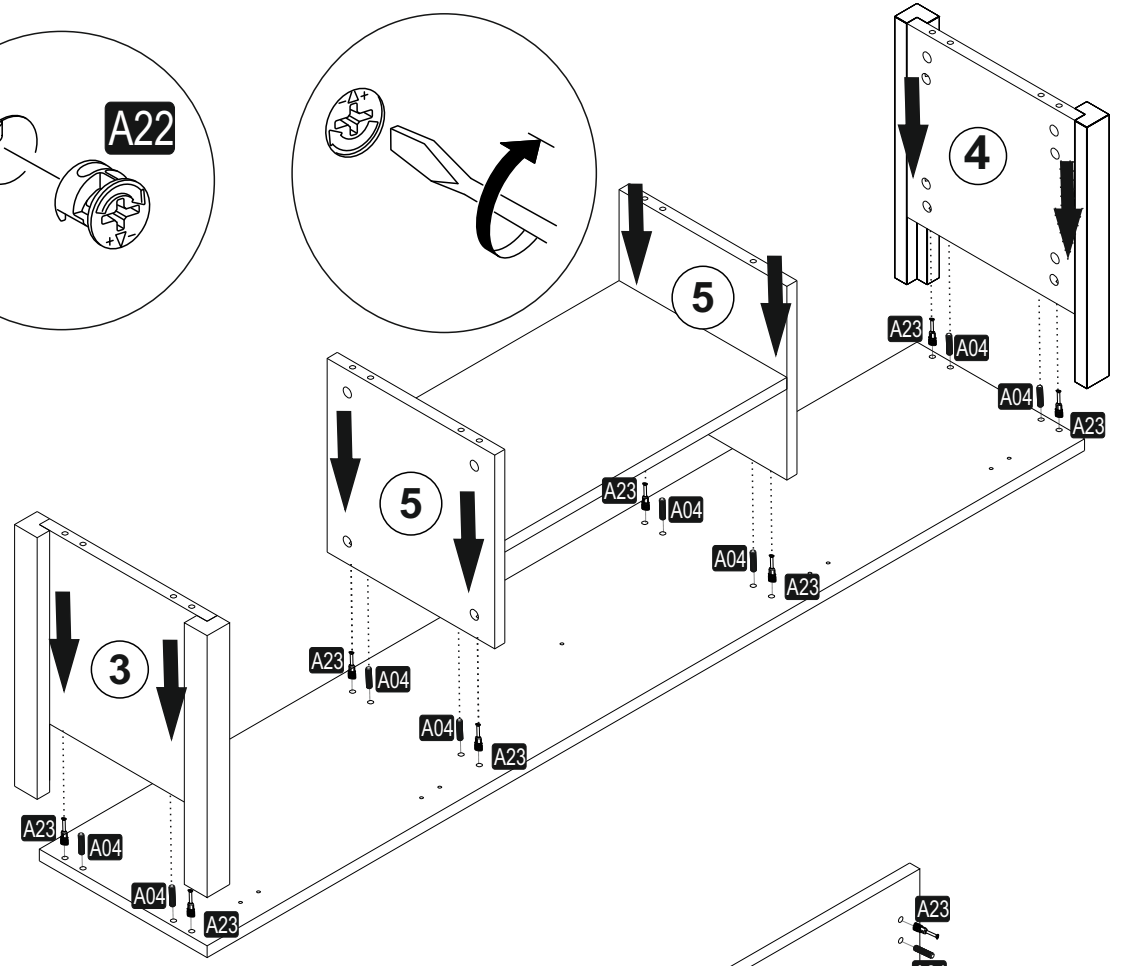
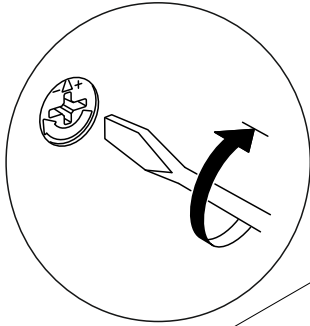
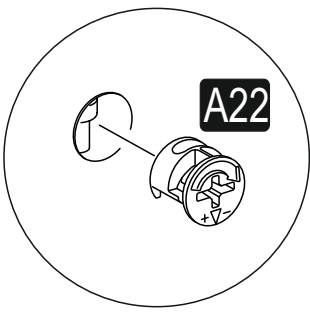
1



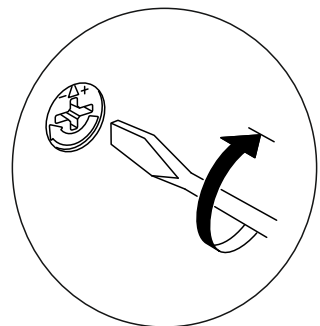
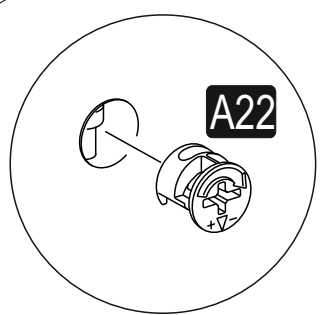
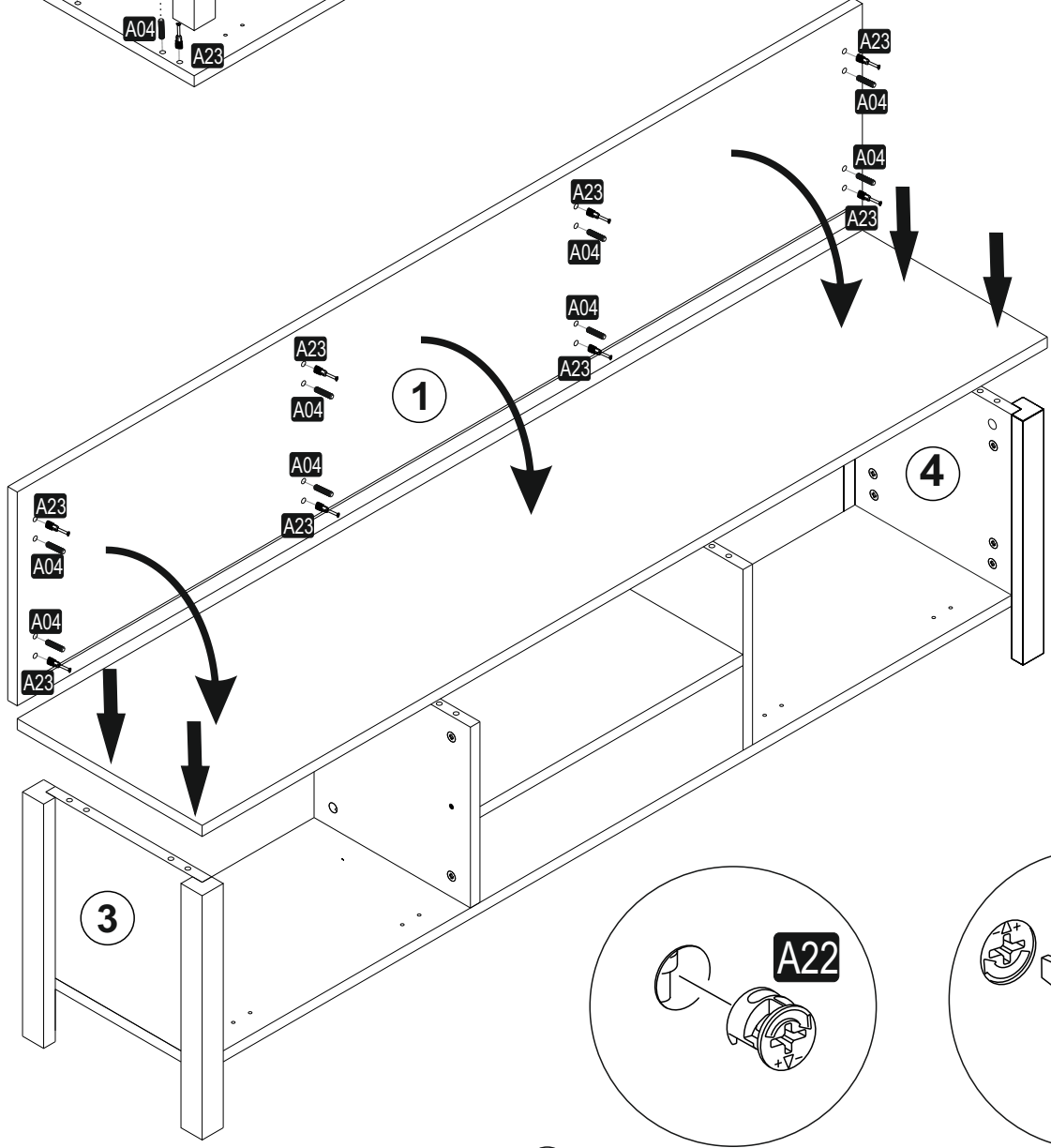
2



3

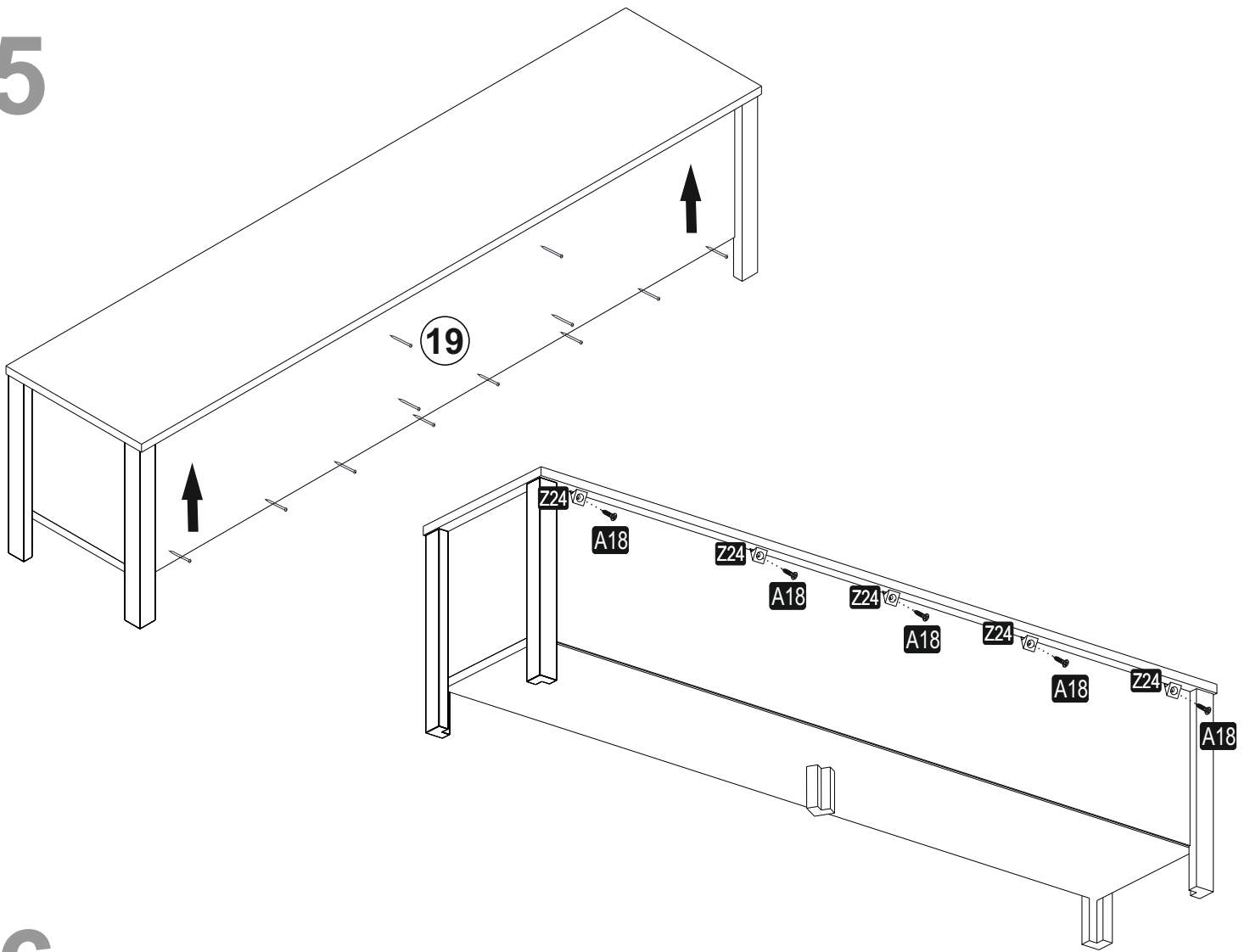


4

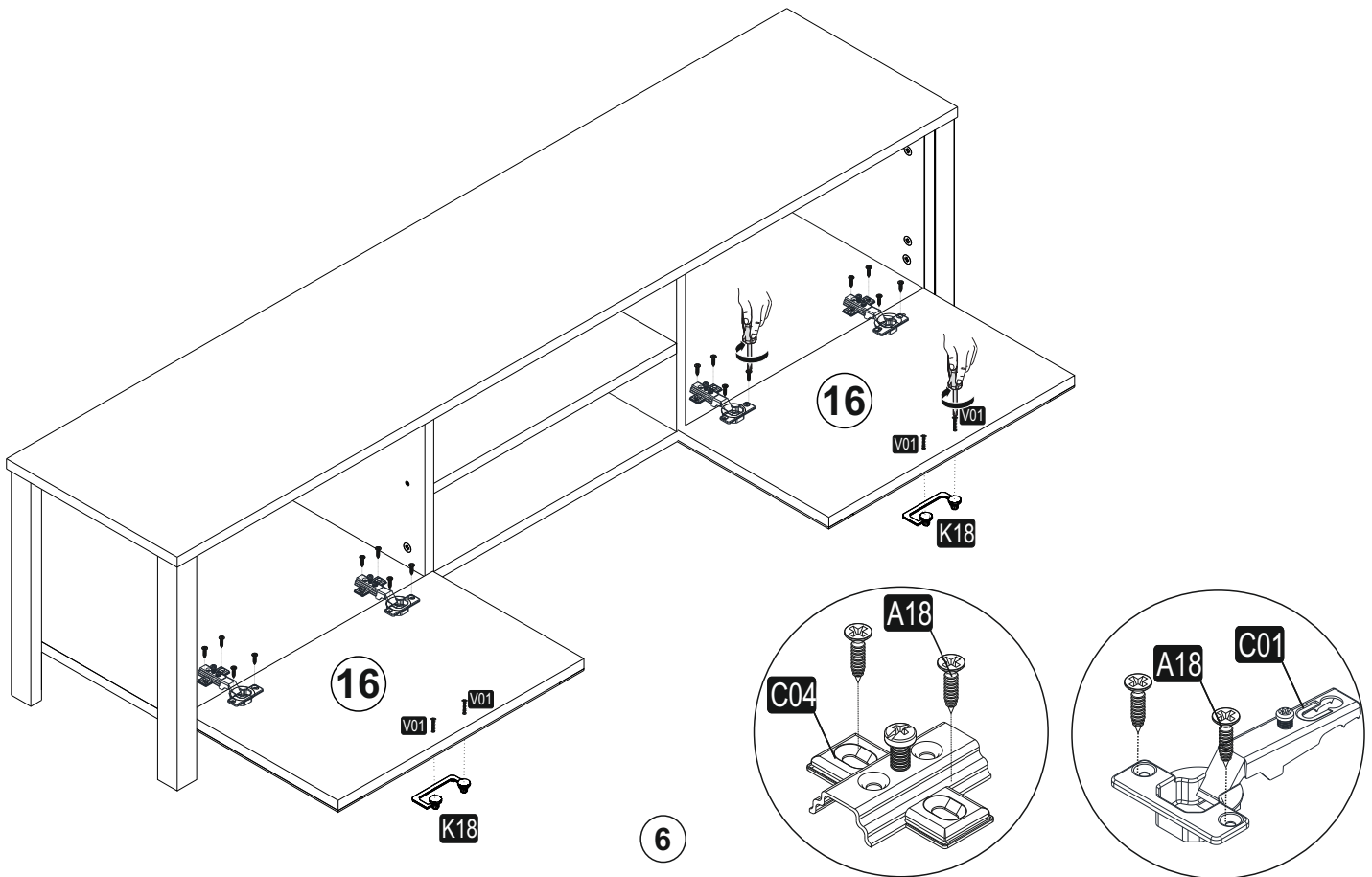


5

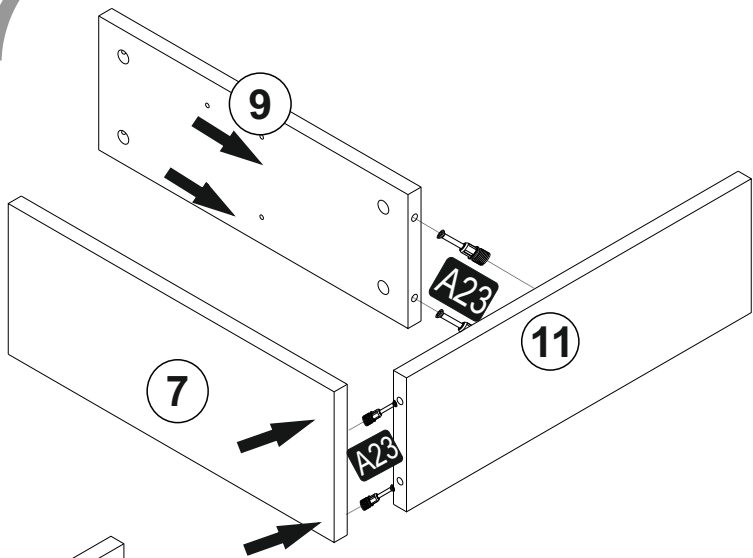
# 5



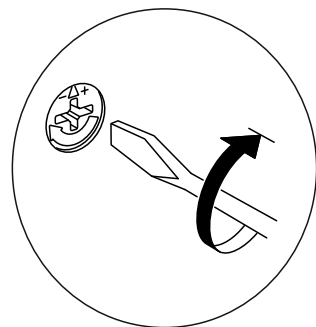
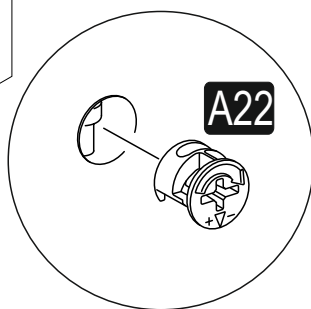
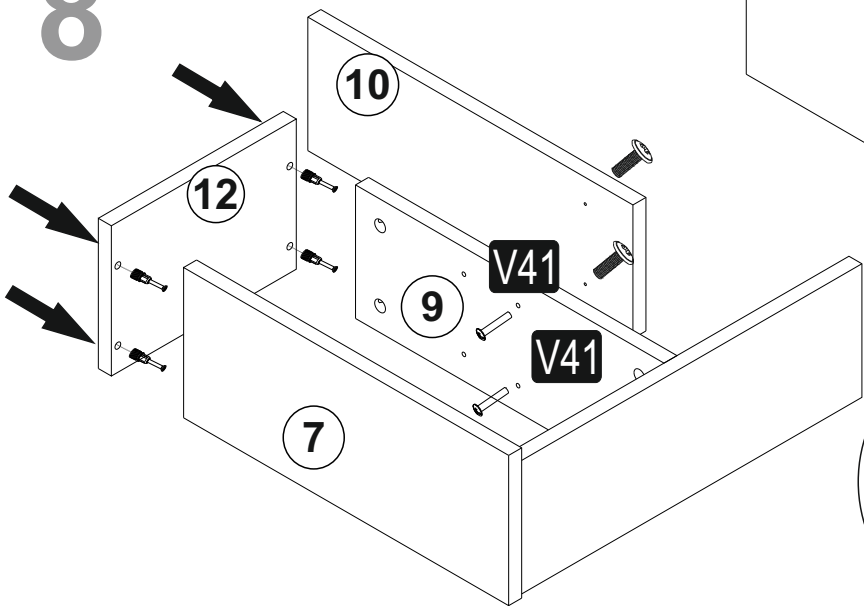
# 6



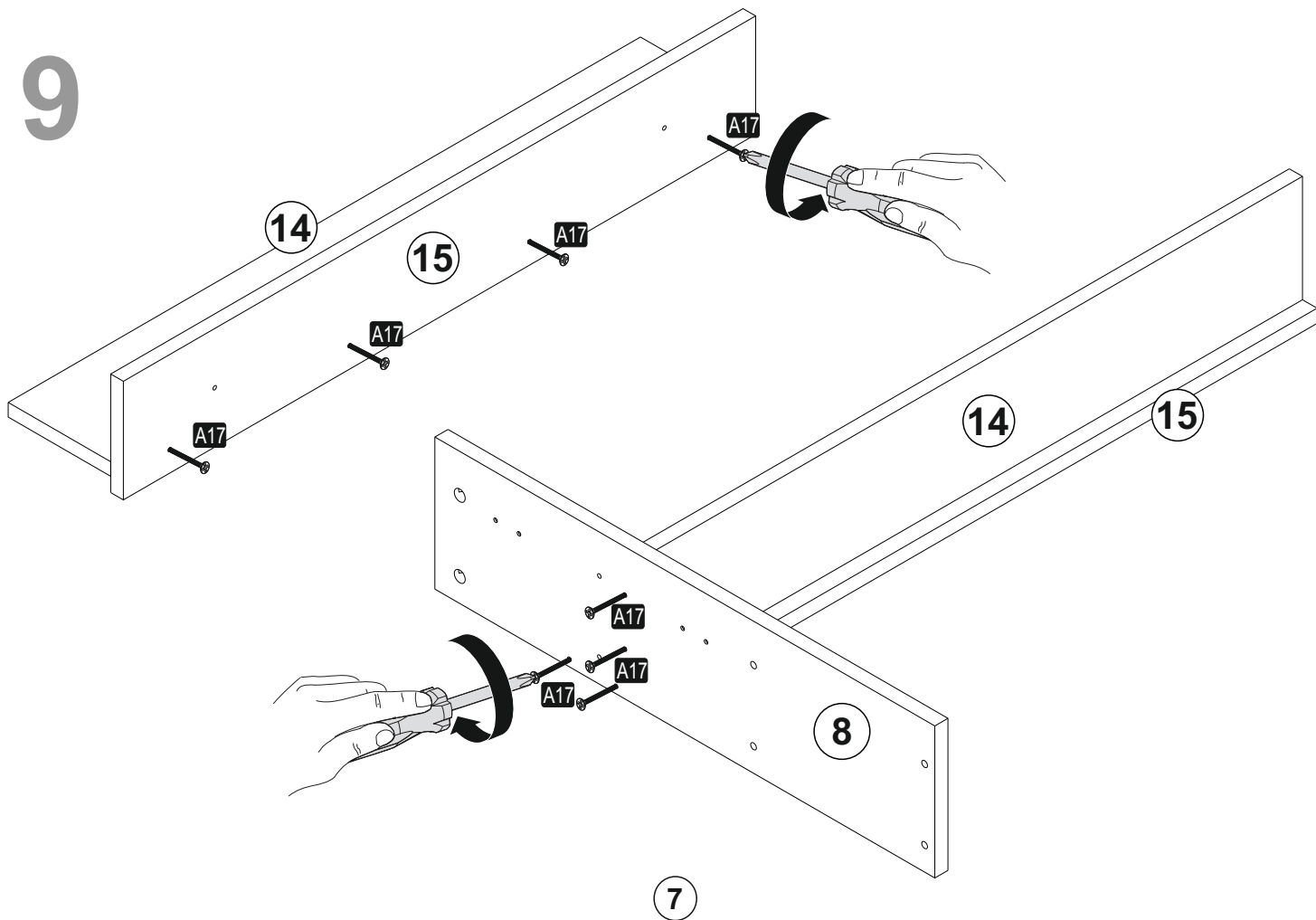
7



8

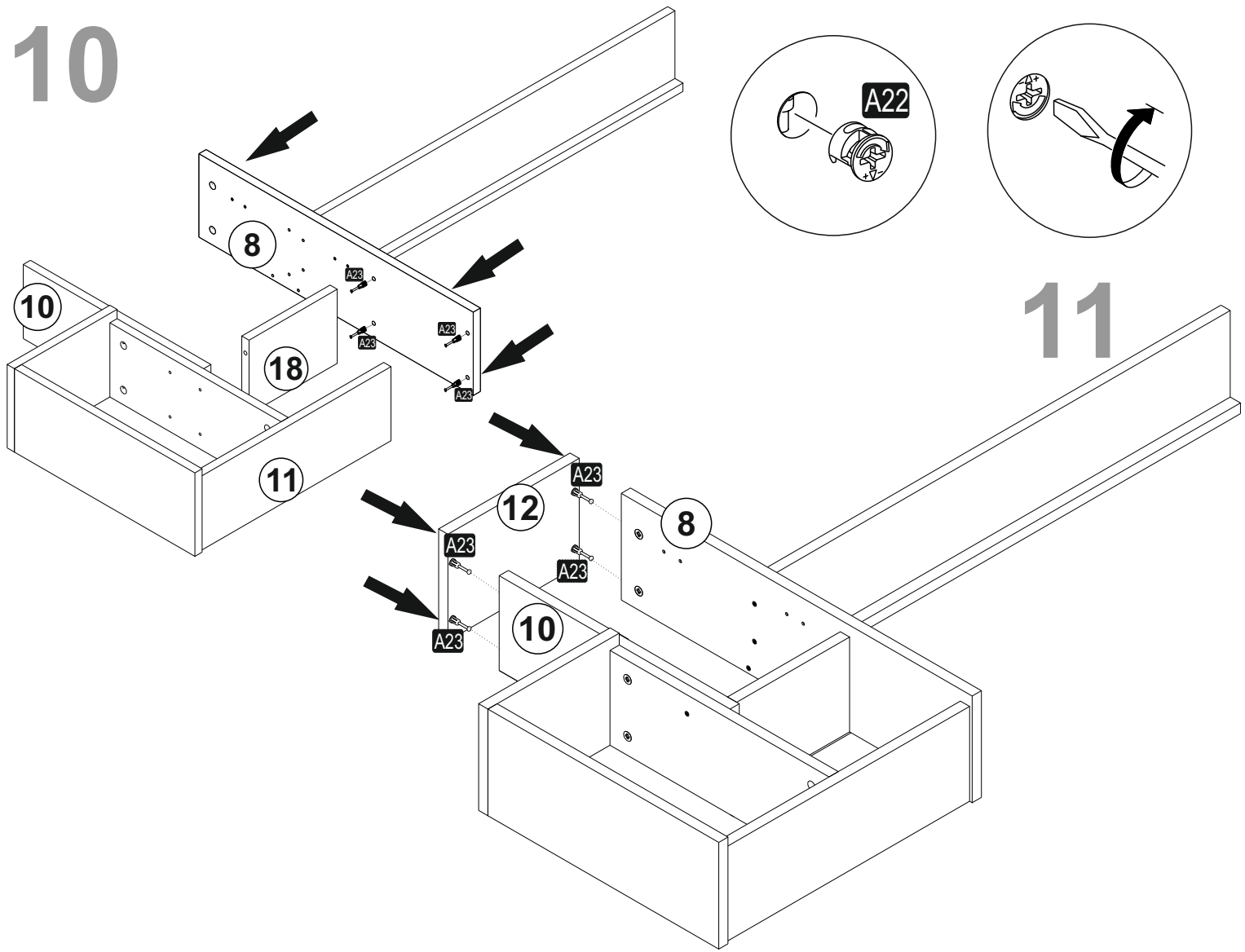


9

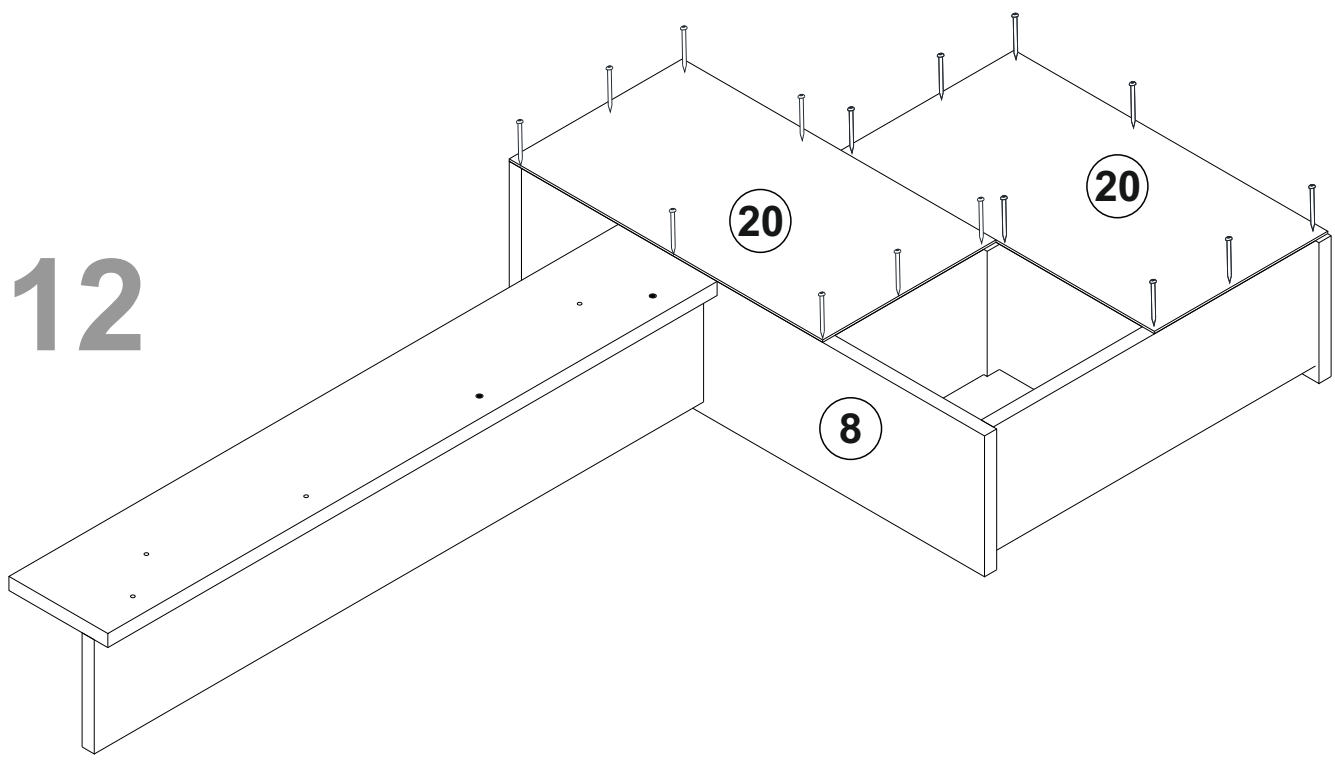




# 10



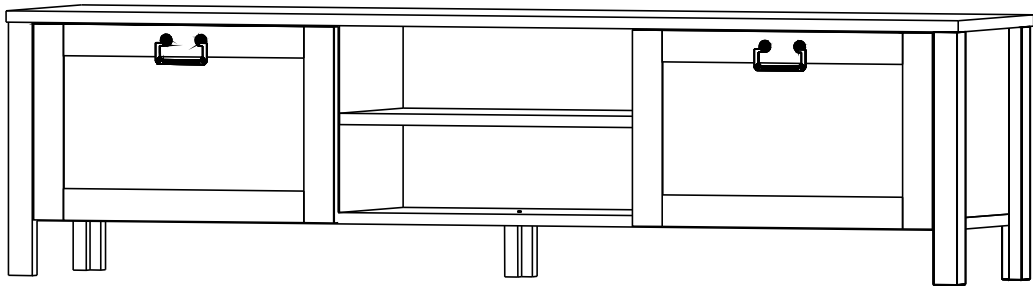
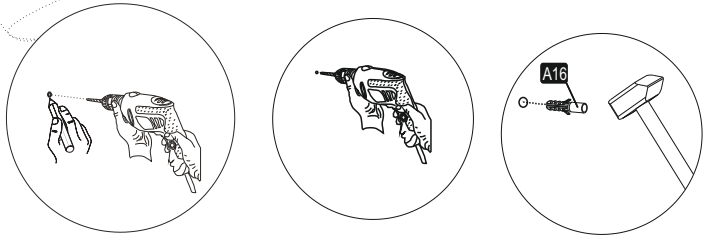
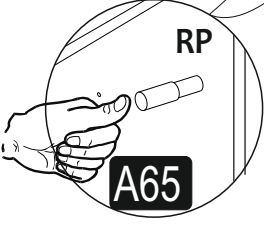
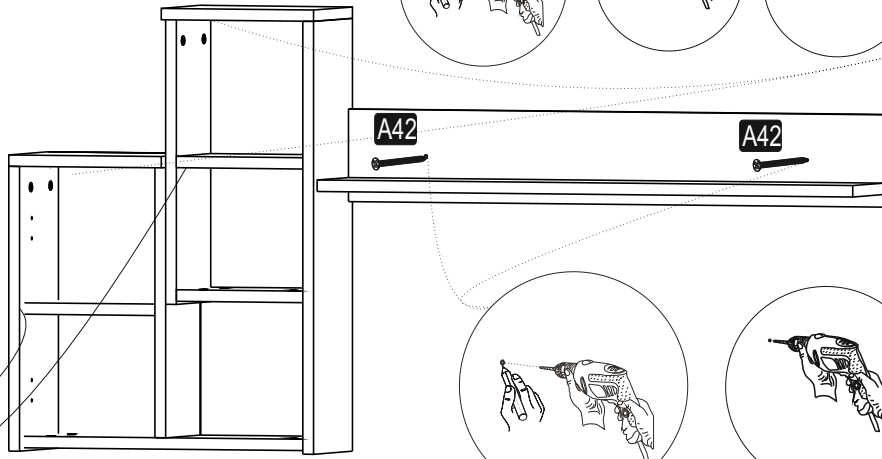
# 11



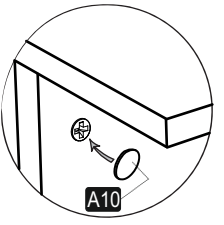
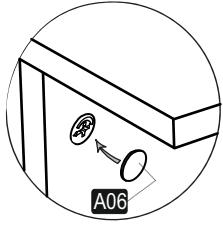
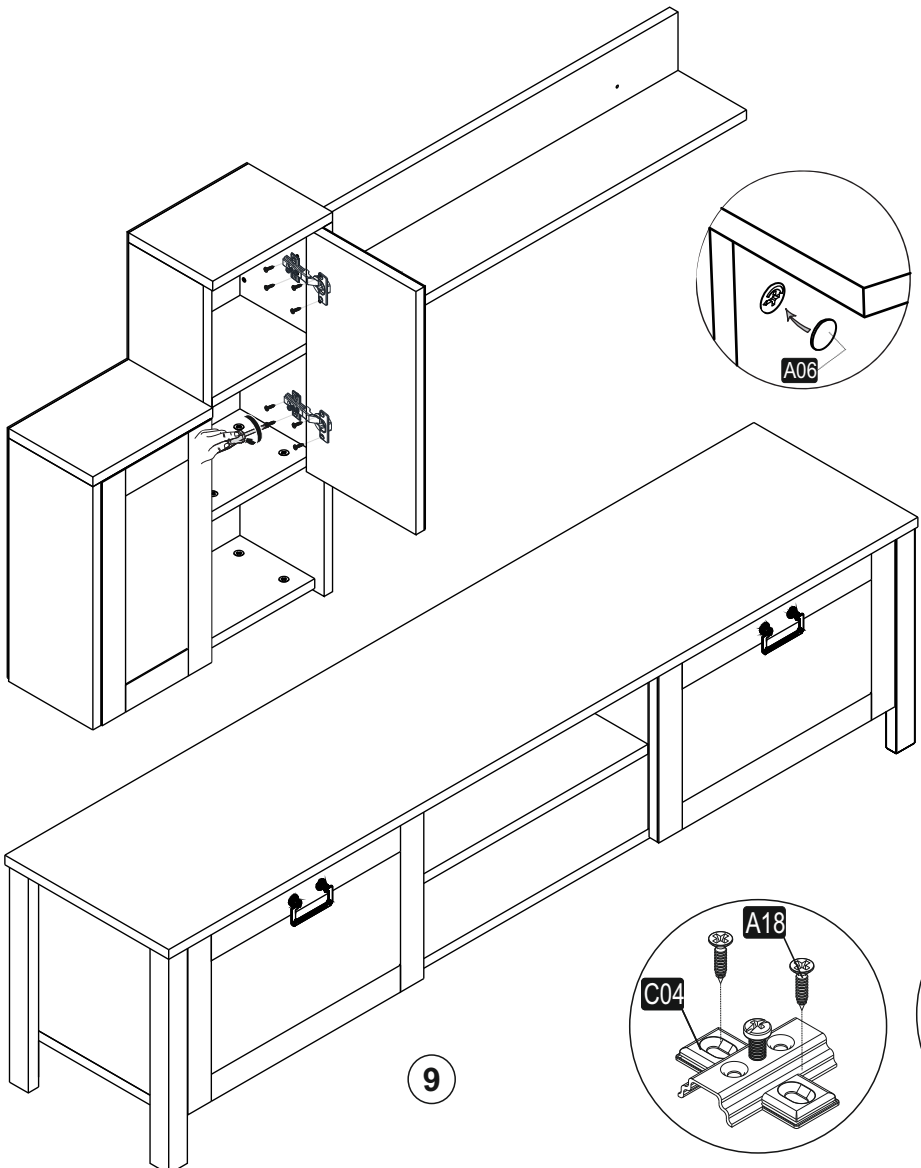
# 12

8

# 13



# 14



9

