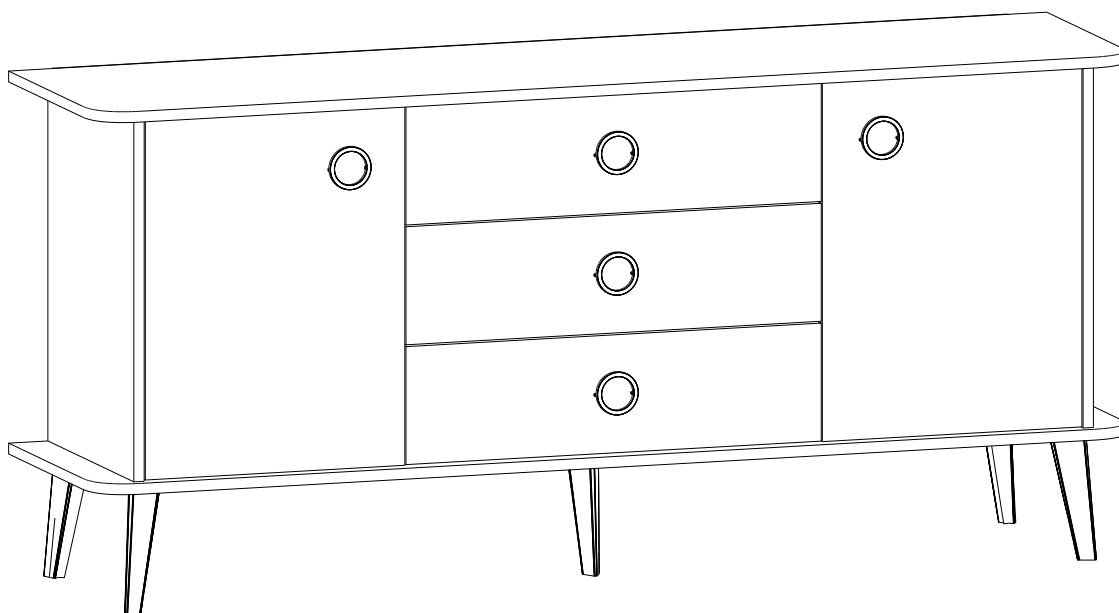
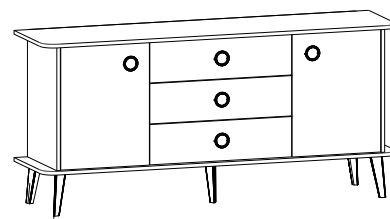


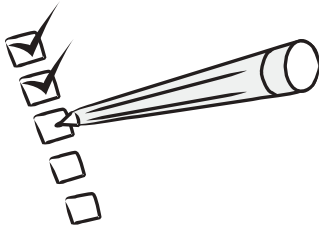
BIEN



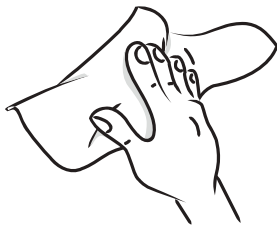
Dear Customer,

We design and produce our products for people to love and have fun with them as we do.

The product you bought was subjected to all sorts of tests and control before sending out to you.



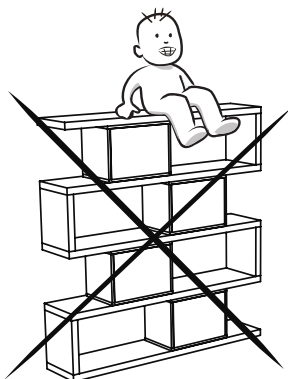
Before start assembling, please check the whole components and accessories according to the lists. If you bought more than one product, to prevent confusion be sure that you completed the first product. Then start the other product's assembling.



Before start assembling, please clean all the components with a damp cloth. Also for usual cleaning, this will be enough.



Although all the products are produced and packed carefully, sometimes happen that some component is damaged during the transportation. In such a case please check the missing or damaged part and do not hesitate to contact us. You can send e-mail to _____ or reach us at _____

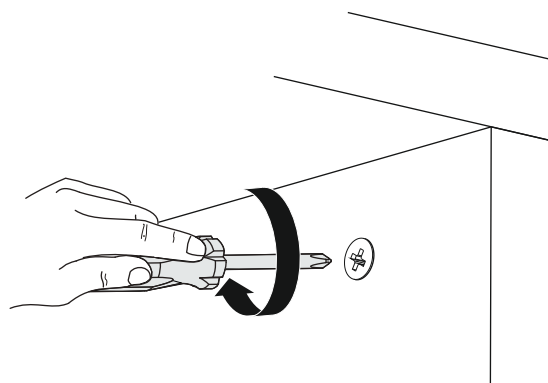
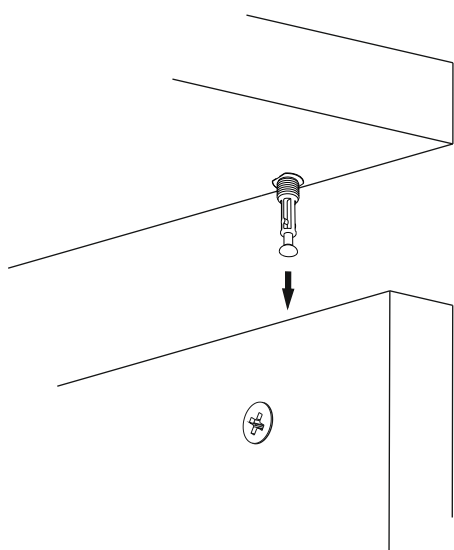
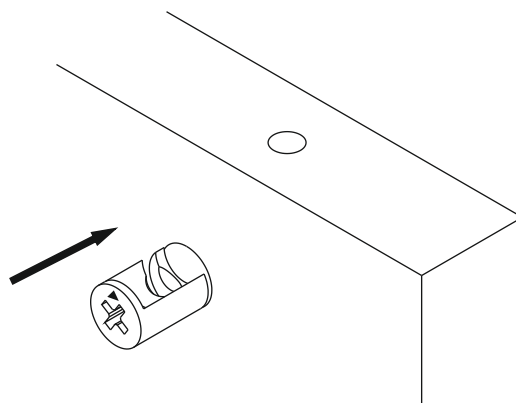
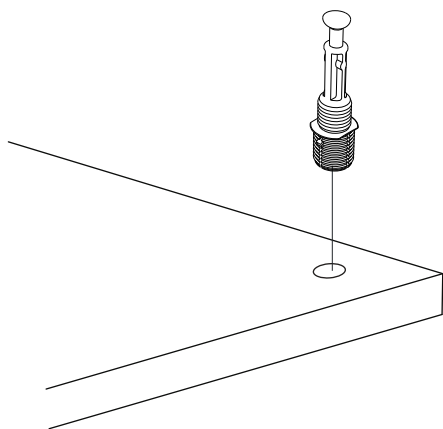
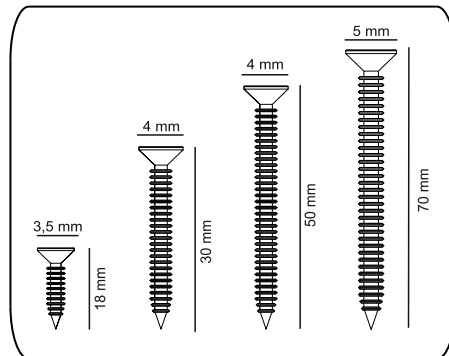
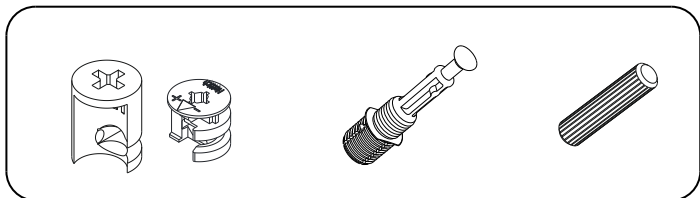


Do not use your furniture for out of purposes. If you would like to use it, please contact us for further questions.

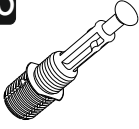
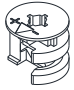
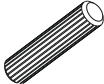
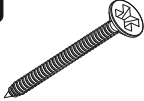
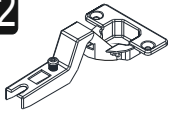


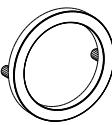

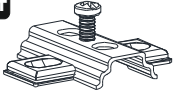
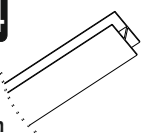


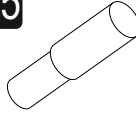
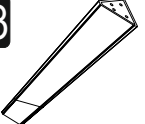
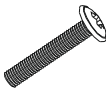
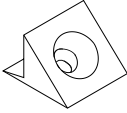


Do not directly contact your furniture with excessive heat, cold and humidity because the product can be affected..

ATTENTION !!

Minifix is the main connection material used in products. Before starting assembly, please check the drawings below.

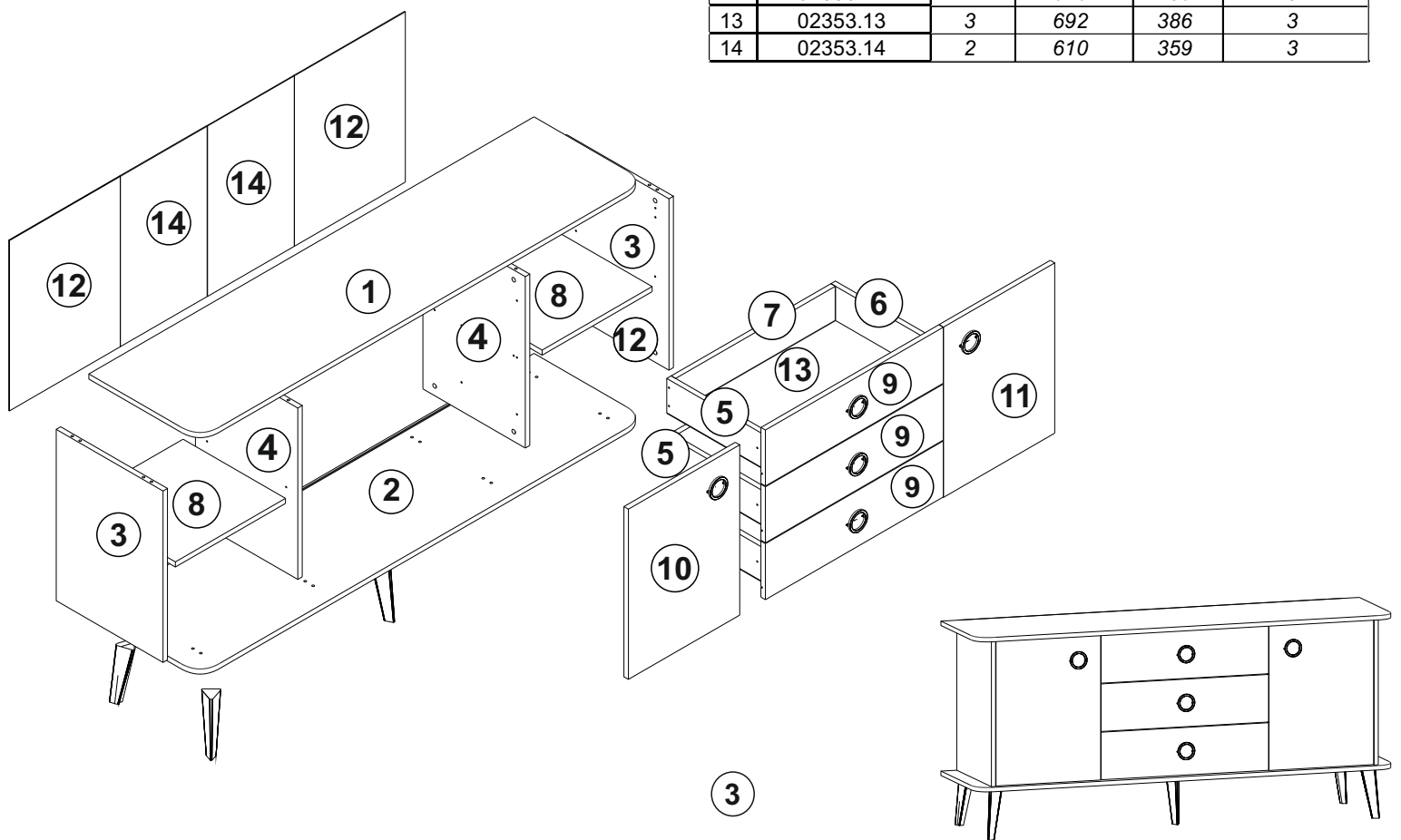


ACCESSORY LIST

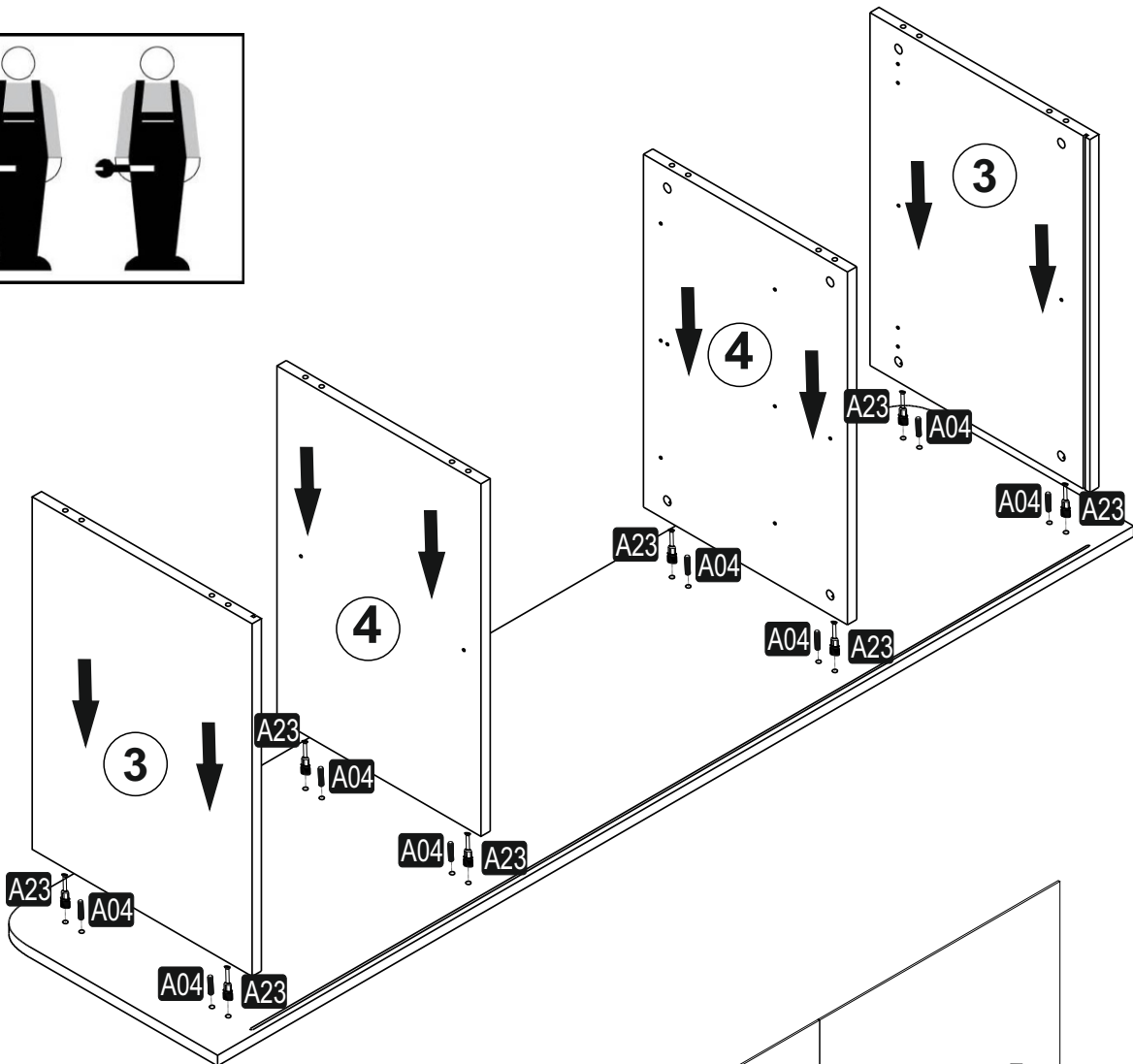
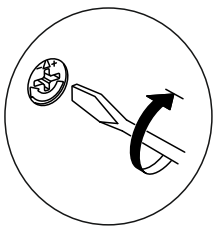
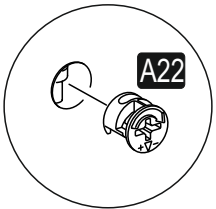
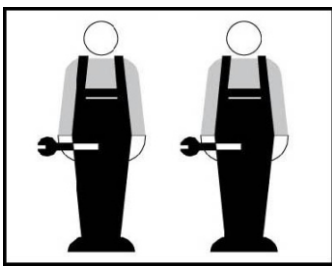
A23 Minifix M8  28x	A22 Minifix G18  28x	A04 KVLY  16x	A17 4x50  12x	C02 SDM  4x
A06 18 mm P.SYH  28x	A49 KLPVD 20mm  10X	K24 64mm 1001 GLD KLP  5x	A18 3,5x18  48x	C04 MA  4x
A64 "H"ARKLK CTS-4mm 608 mm  1x	BR 04 TKM 374 mm  3x	A48 AC  40x	A65 RP  8x	V23 20CM SYH GLD  5x
A94 YSB MVD 4x15  6x	Z24  20x	V28 3,5X25 PU.VD  6x	A34 3,5x25  20x	

GENERAL VIEW

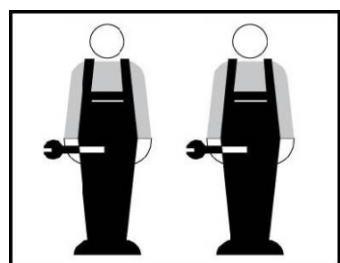
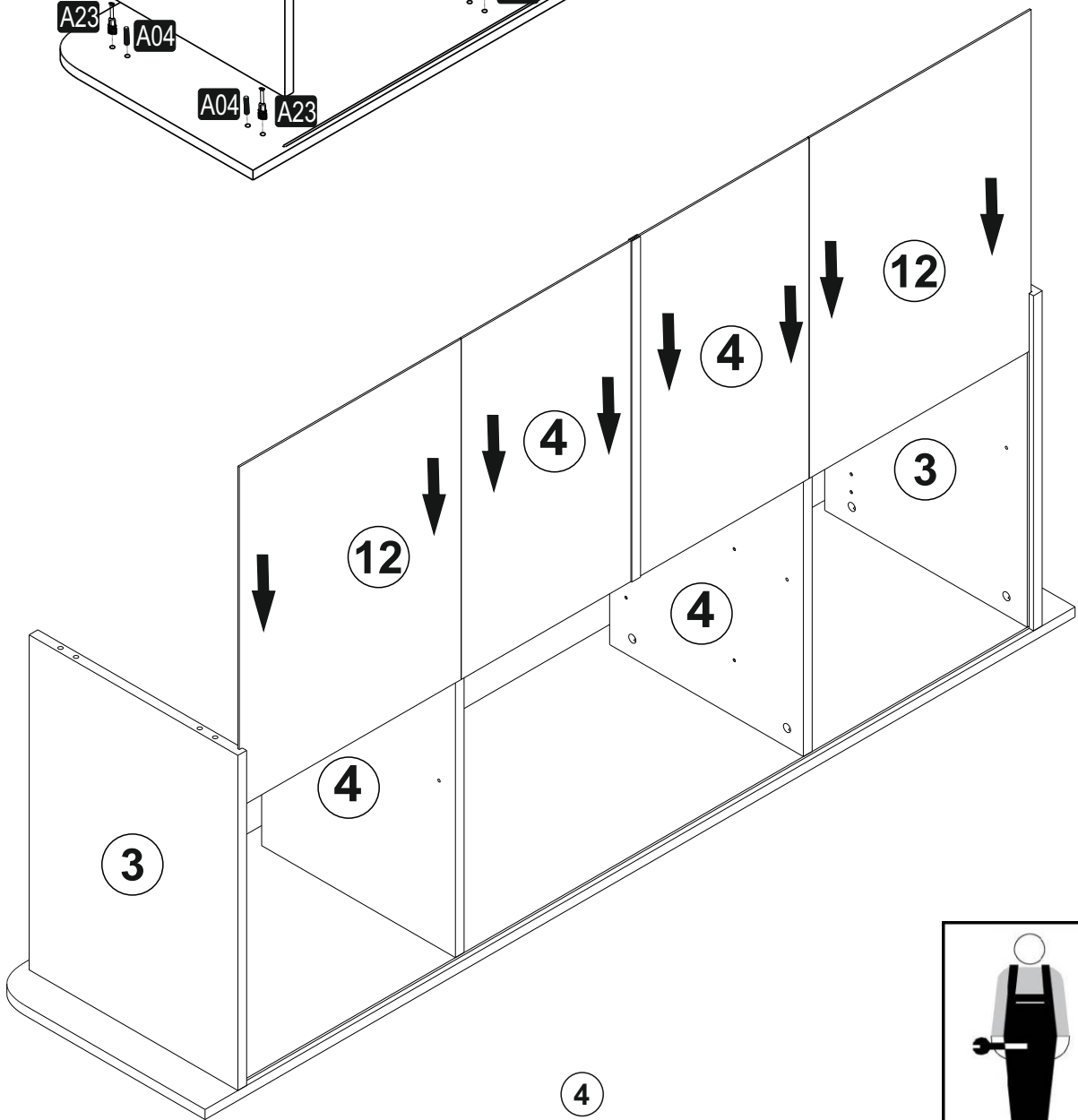
NO	PART CODE	PIECE	LENGHT	WIDHT	THICKNESS
1	02353.01	1	1800	450	18
2	02353.02	1	1800	450	18
3	02353.03	2	600	432	18
4	02353.04	2	600	401	18
5	02353.05	3	380	120	18
6	02353.06	3	380	120	18
7	02353.07	3	658	120	18
8	02353.08	2	445	401	18
9	02353.09	3	721	197	18
10	02353.10	1	597	451	18
11	02353.11	1	597	451	18
12	02353.12	2	610	459	3
13	02353.13	3	692	386	3
14	02353.14	2	610	359	3



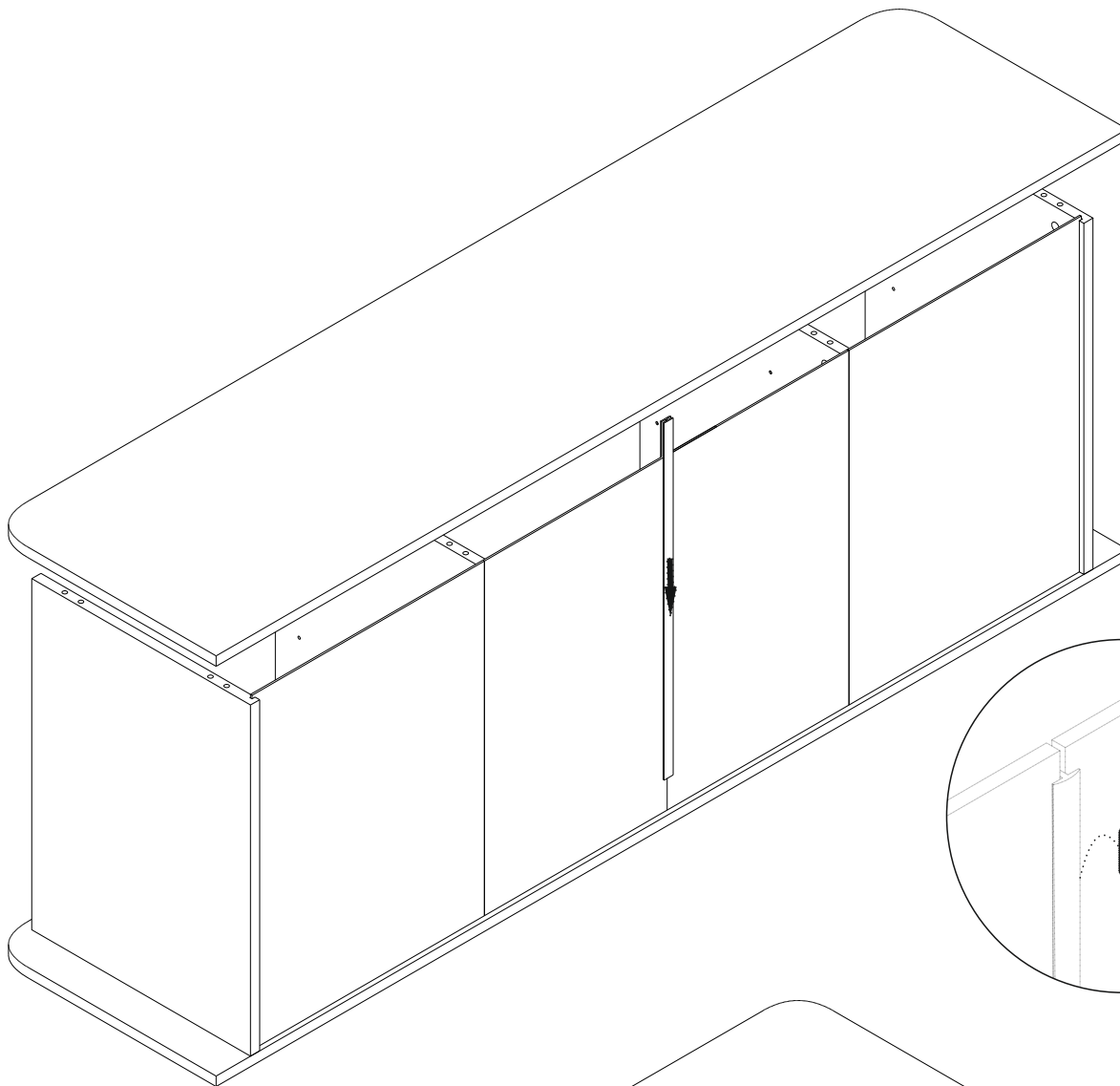
1



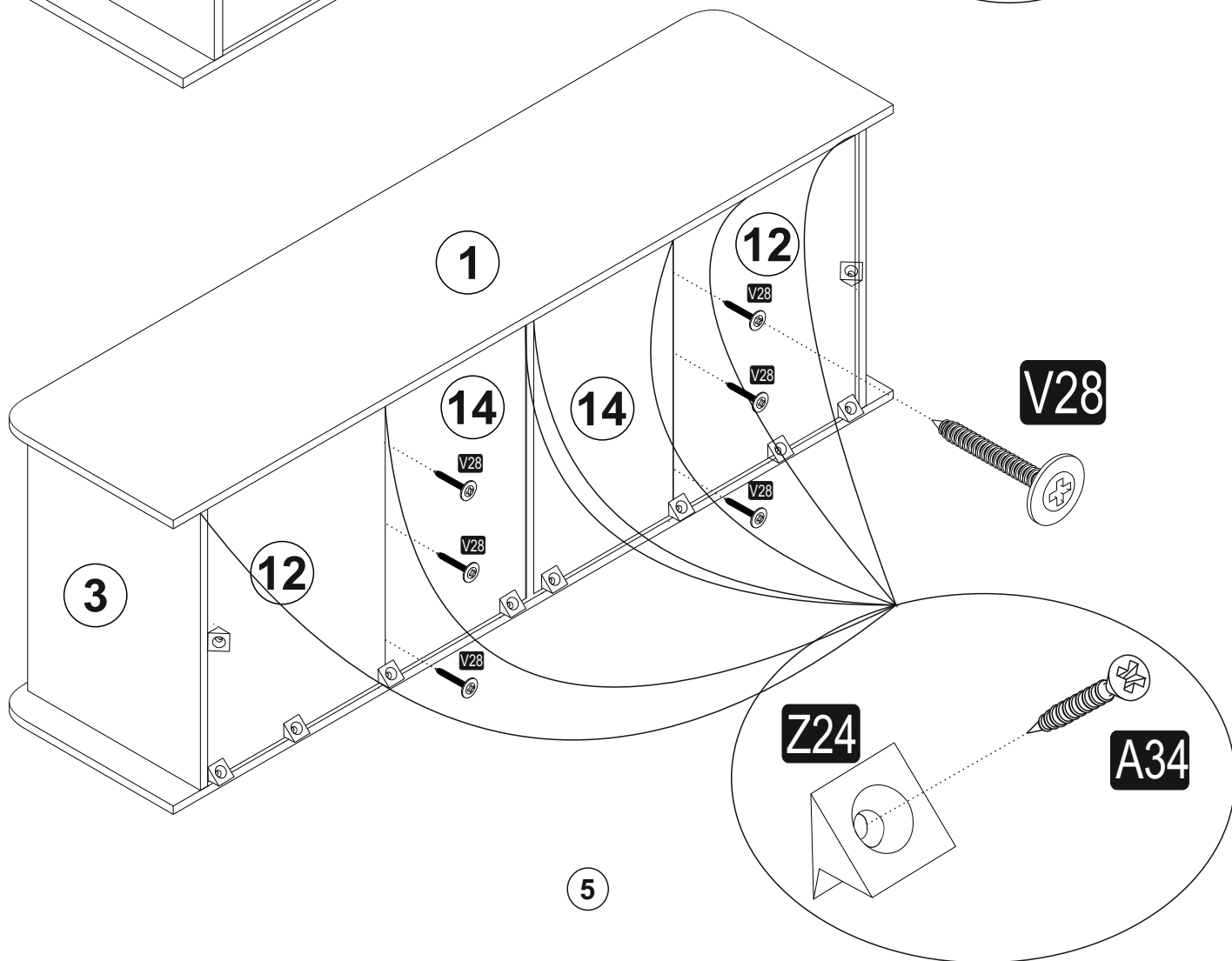
2



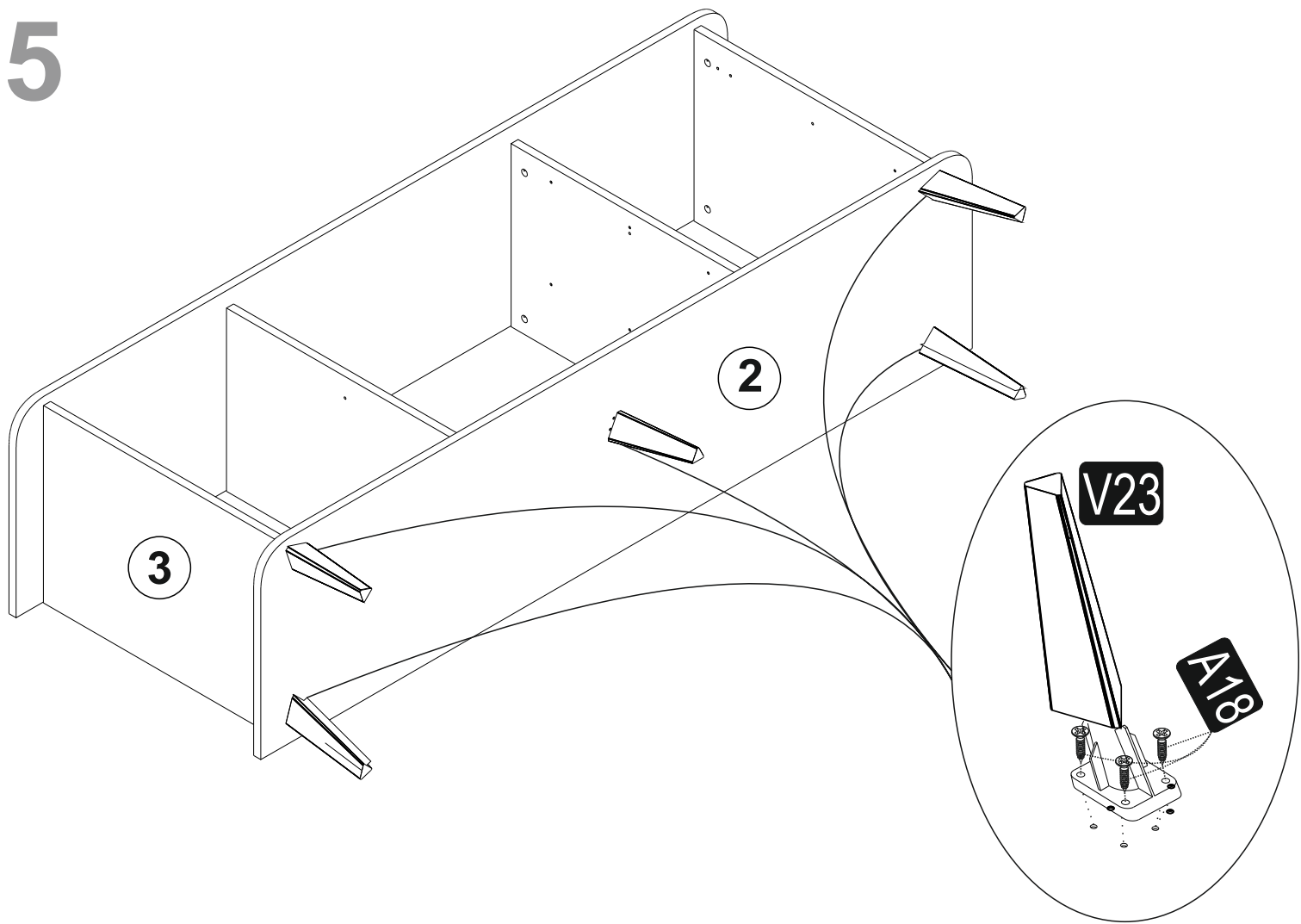
3



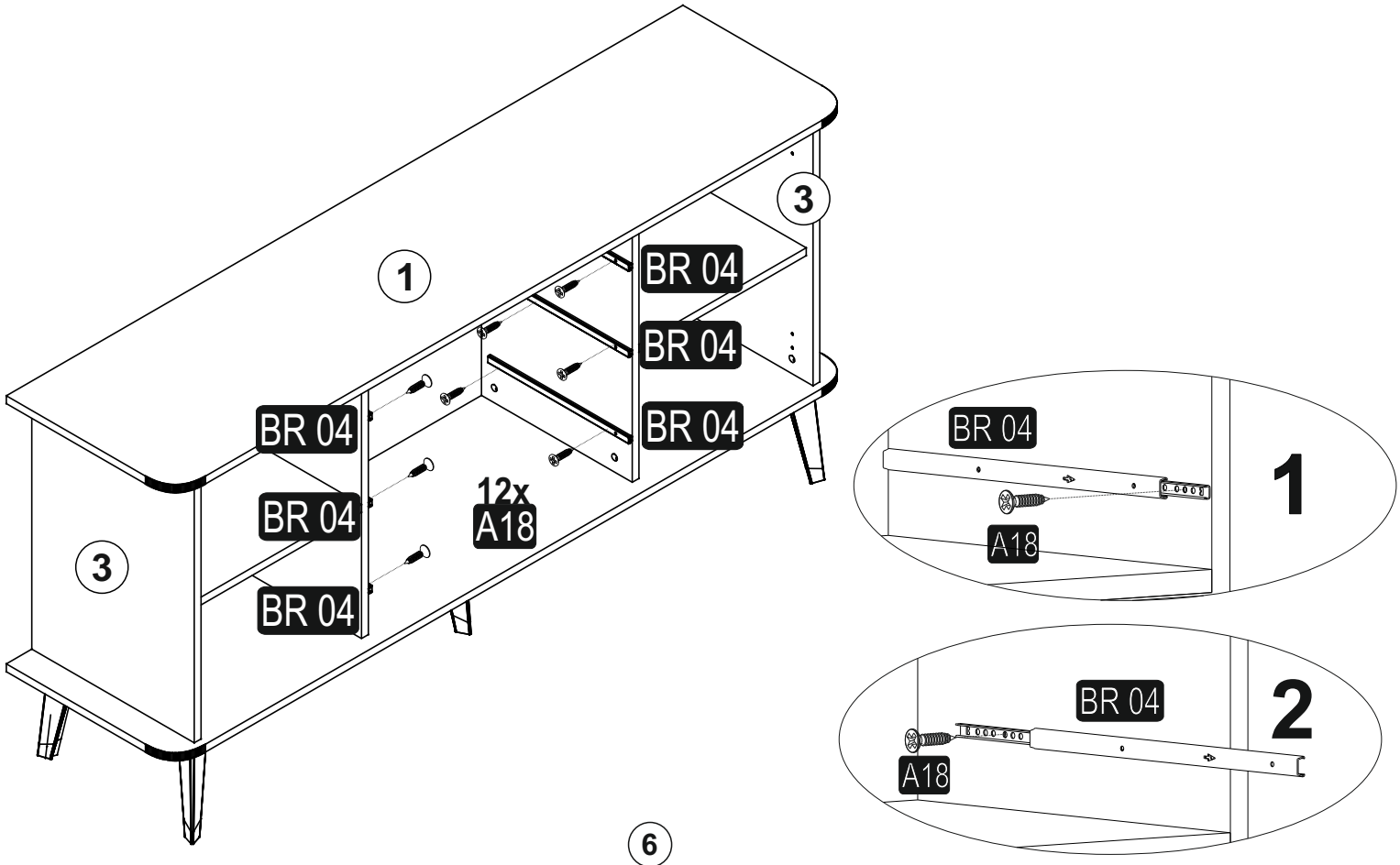
4



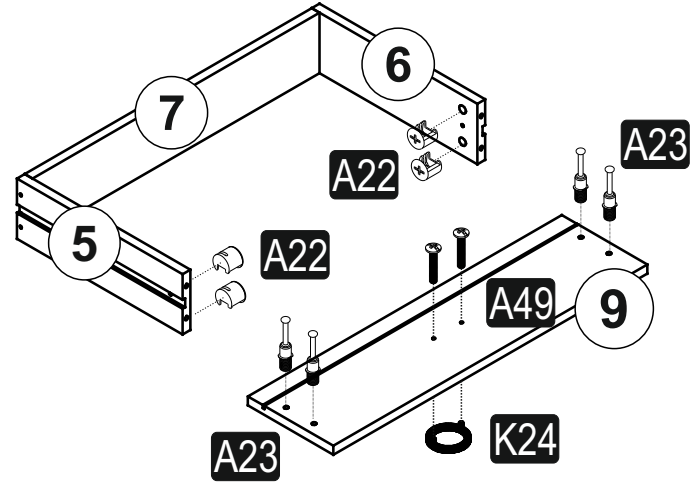
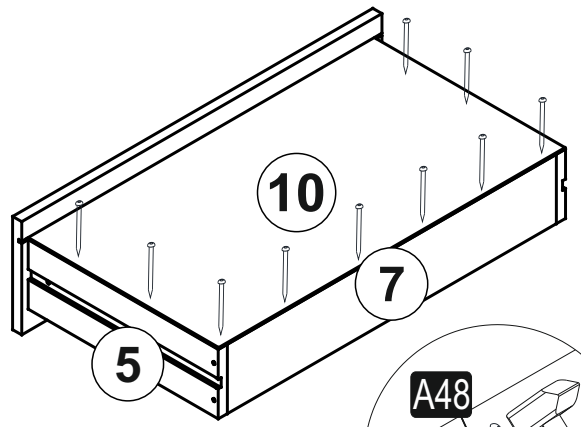
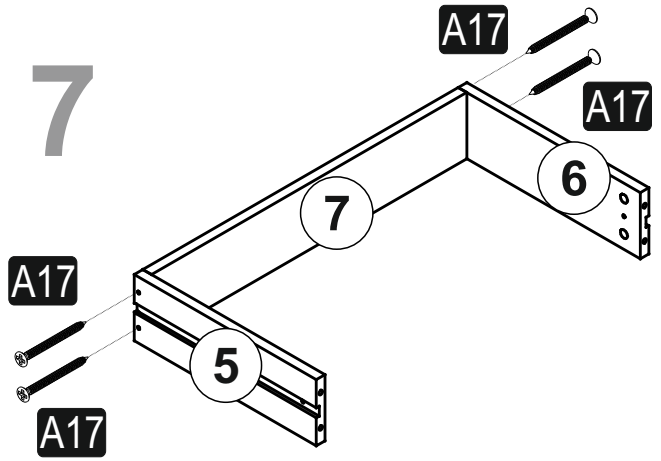
5



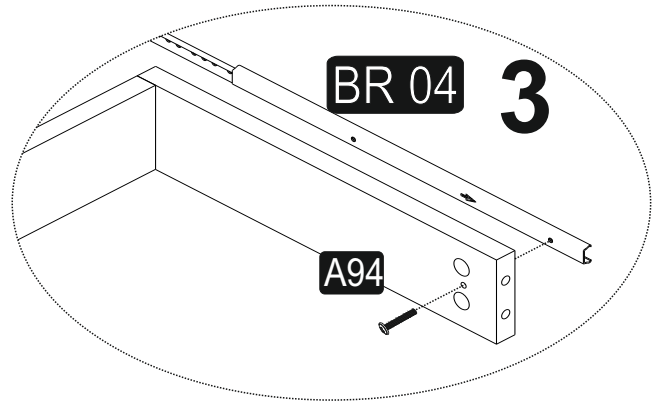
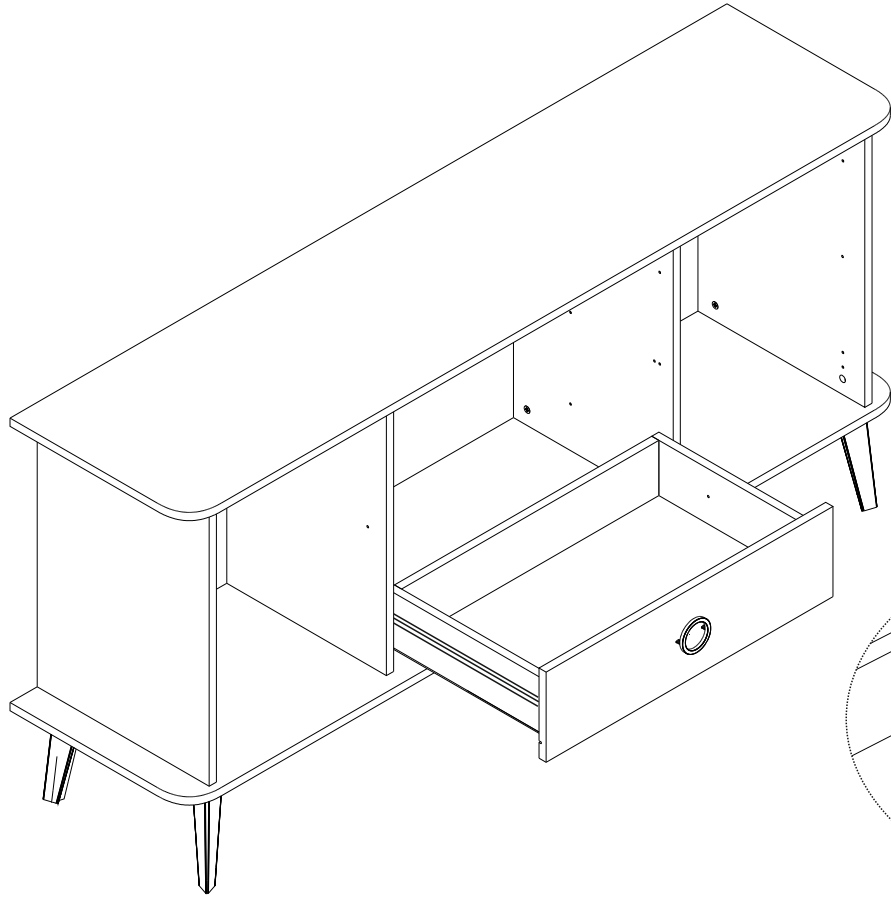
6



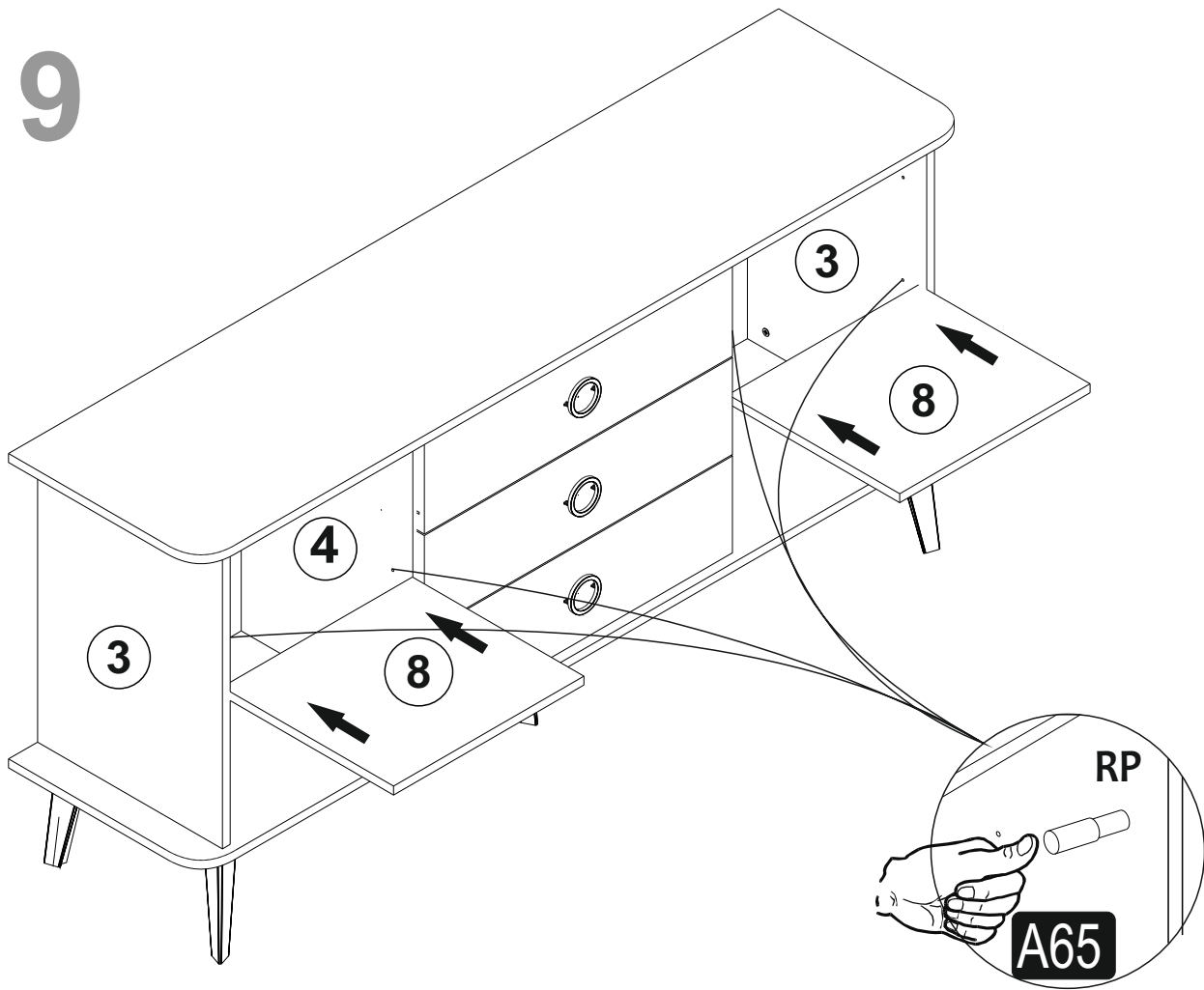
7



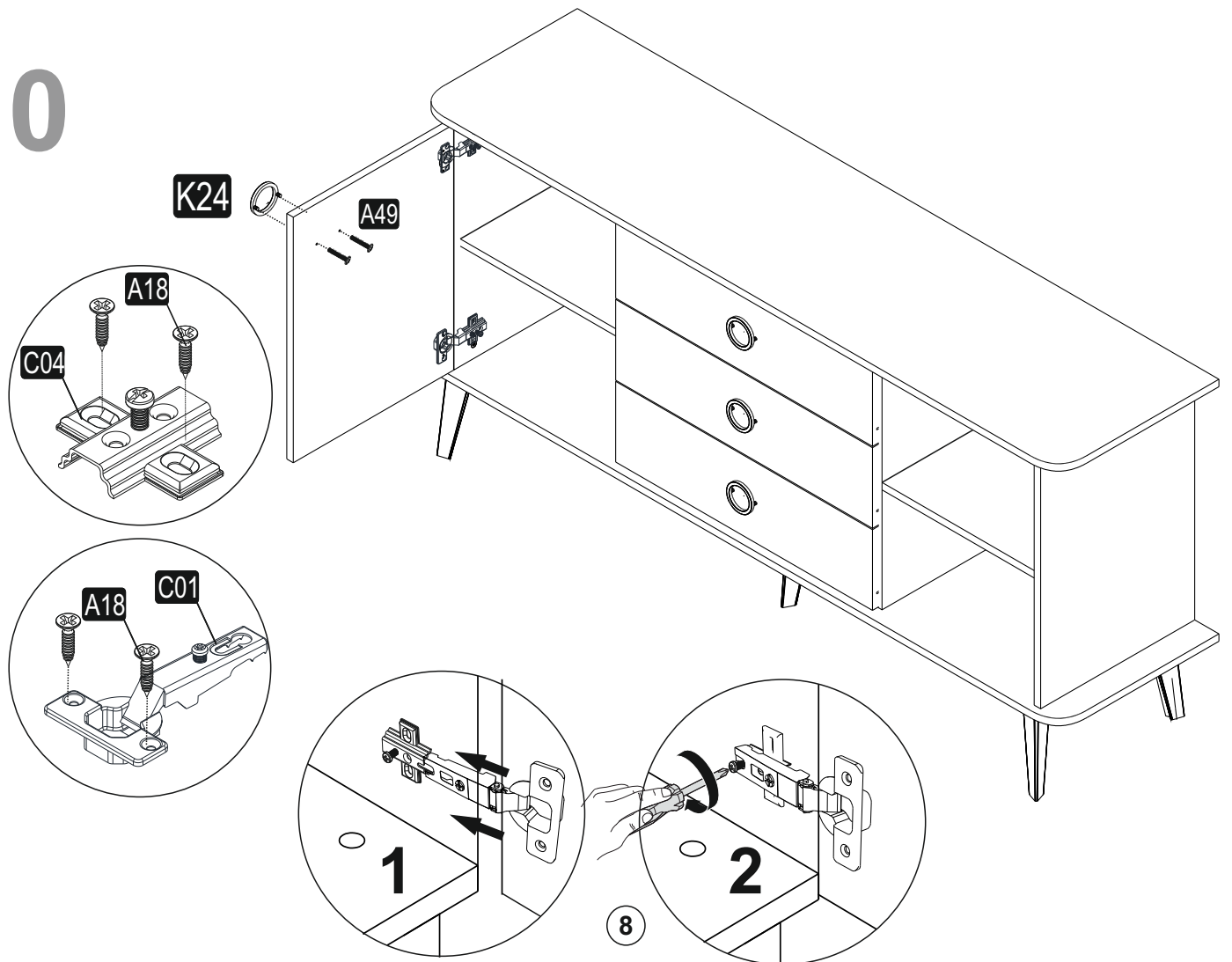
8



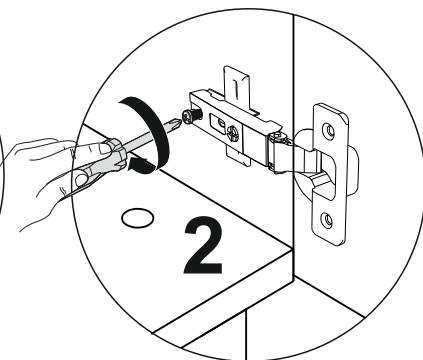
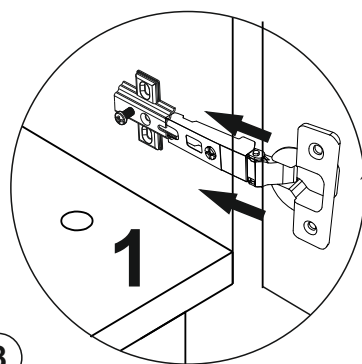
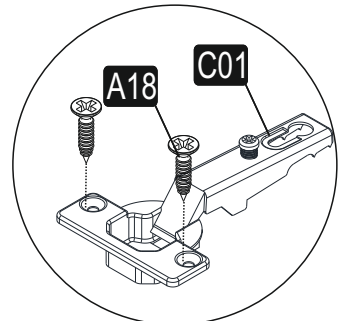
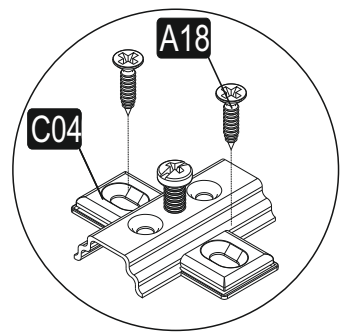
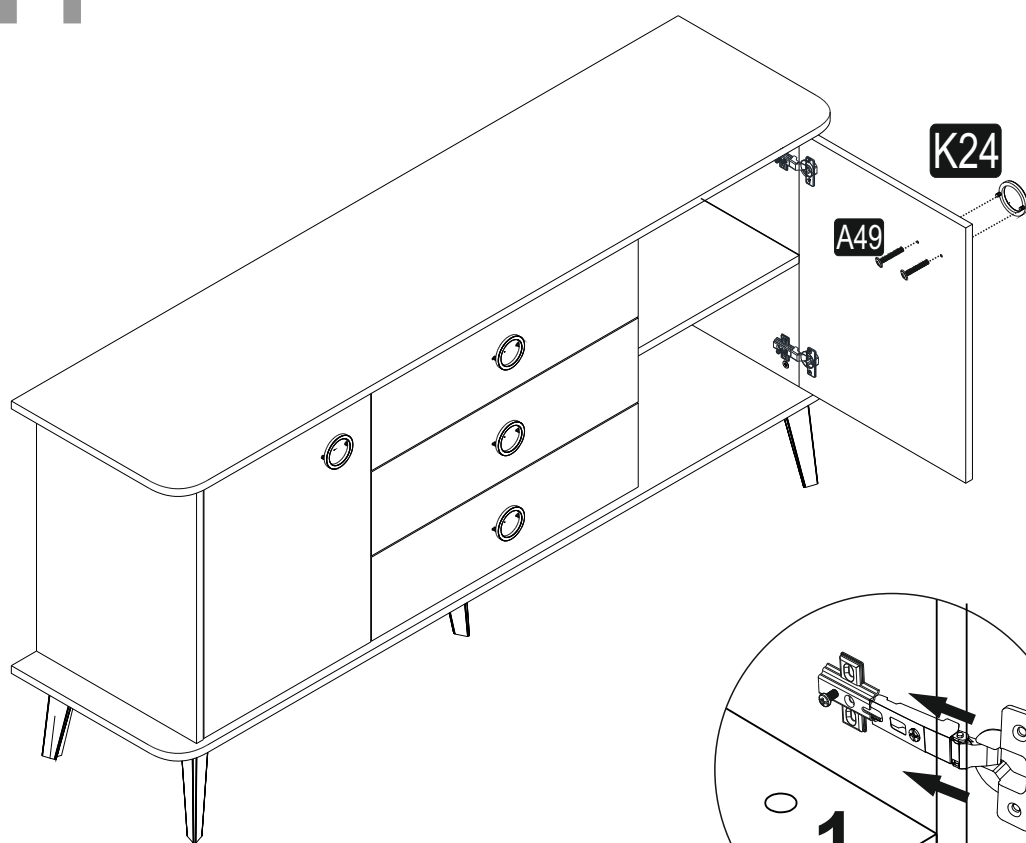
9



10

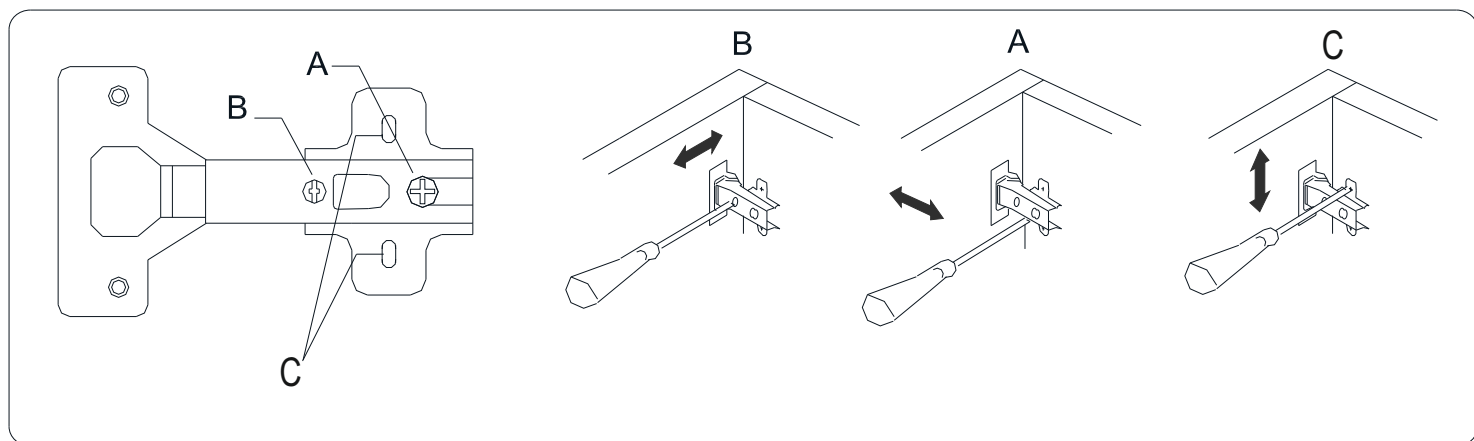


11



8

12



9