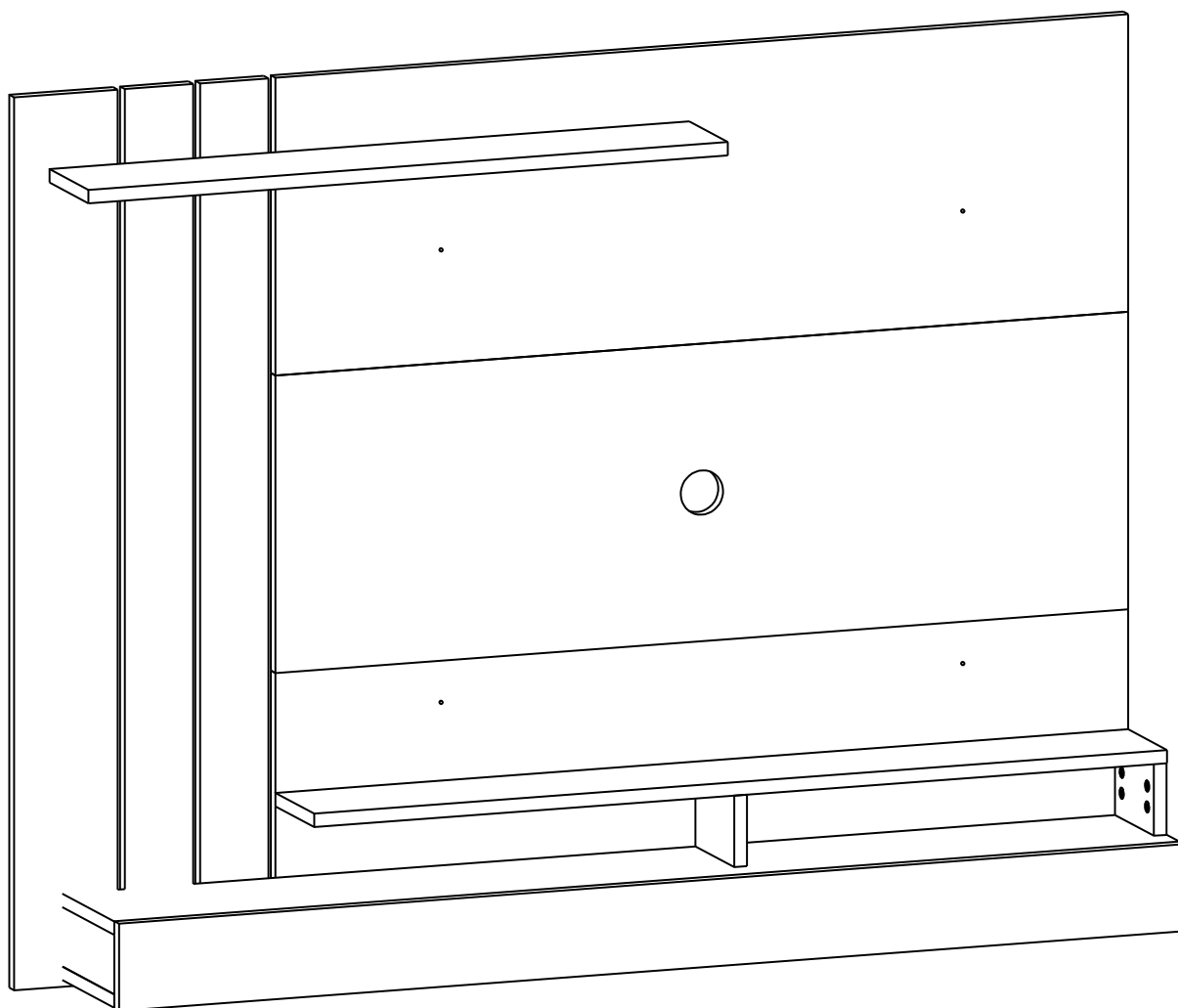
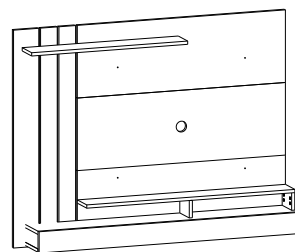


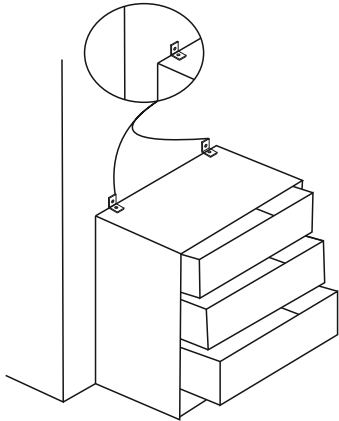
LAVRANCE



Dear Customer,

We design and produce our products for people to love and have fun with them as we do.

The product you bought was subjected to all sorts of tests and control before sending out to you.



Attention!

Using excessive force to the furniture can cause furniture to fall. This can damage you both financially and physically. In order to avoid this situation, please use wall mounting fixtures.



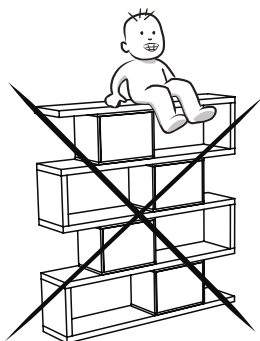
Before start assembling, please check the whole components and accessories according to the lists. If you bought more than one product, to prevent confusion be sure that you completed the first product. Then start the other product's assembling.



Before start assembling, please clean all the components with a damp cloth. Also for usual cleaning, this will be enough.



Although all the products are produced and packed carefully, sometimes happen that some component is damaged during the transportation. In such a case please check the missing or damaged part and do not hesitate to contact us. You can send e-mail to _____ or reach us at _____

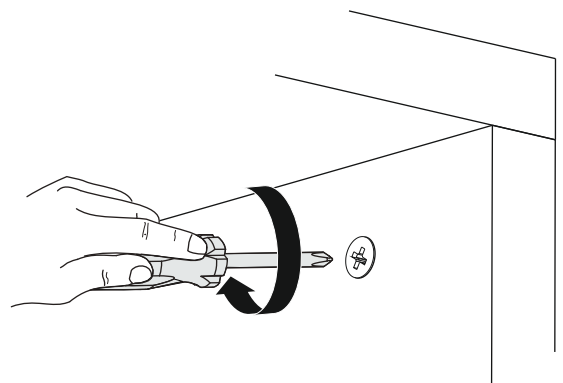
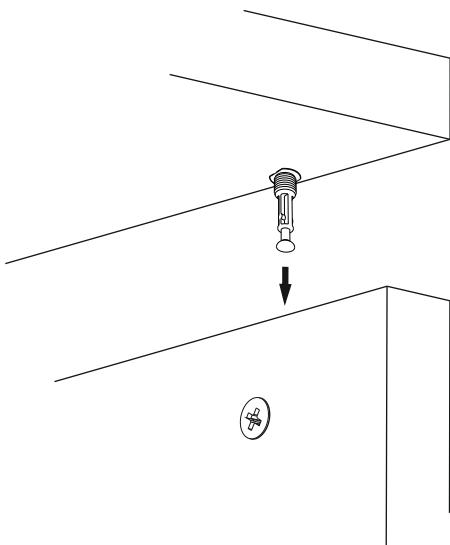
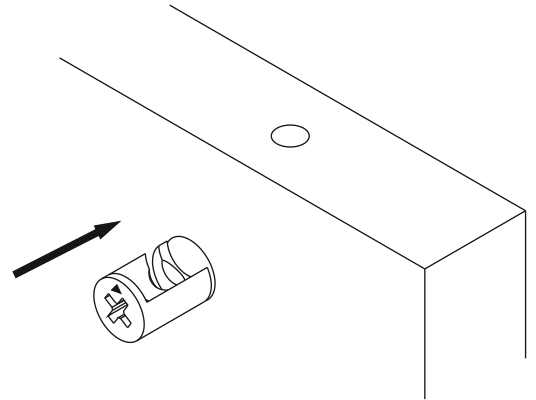
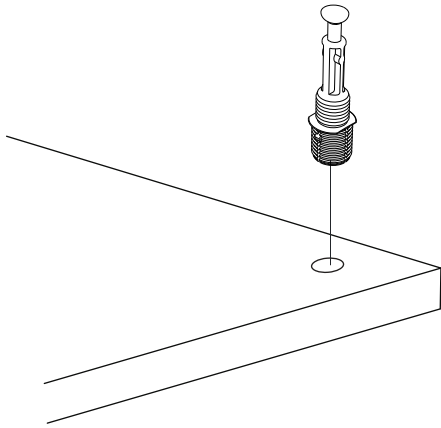
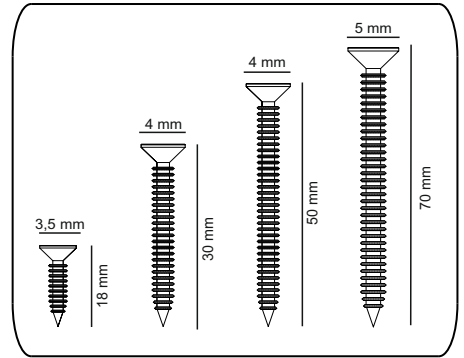
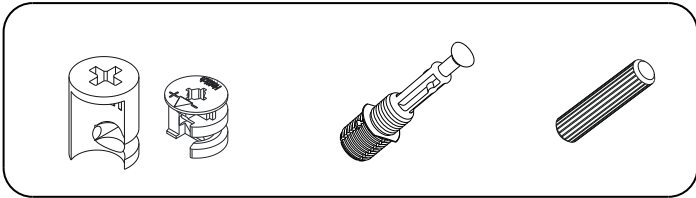


Do not use your furniture for out of purposes. If you would like to use it, please contact us for further questions.

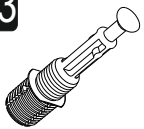
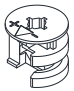
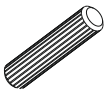



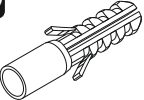
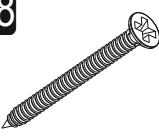
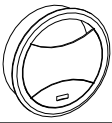

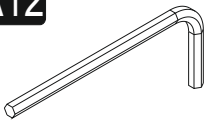
Do not directly contact your furniture with excessive heat, cold and humidity because the product can be affected..

ATTENTION !!

Minifix is the main connection material used in products. Before starting assembly, please check the drawings below.

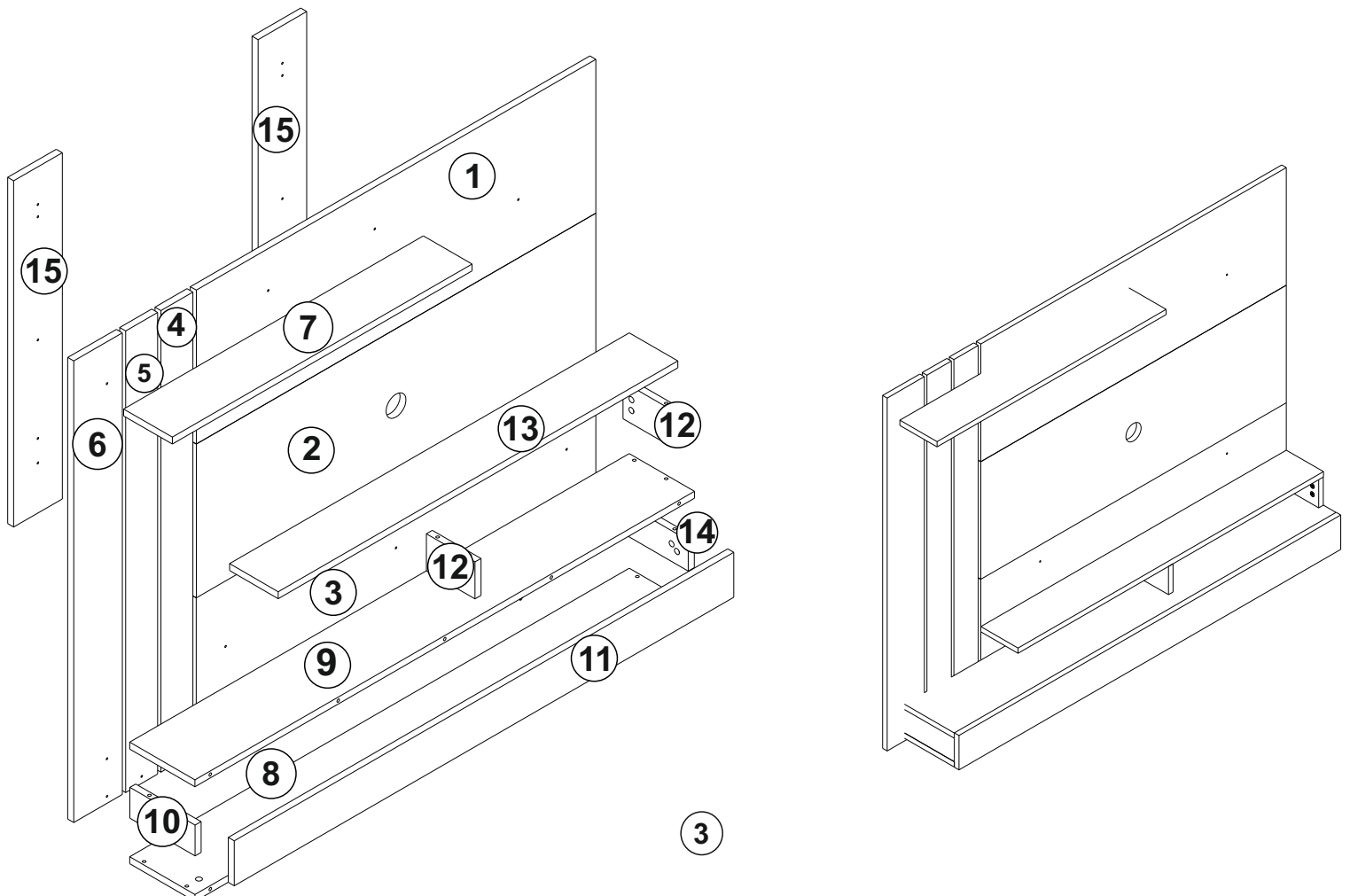


ACCESSORY LIST

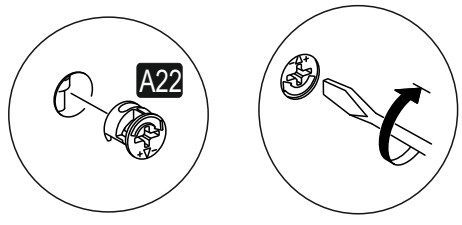
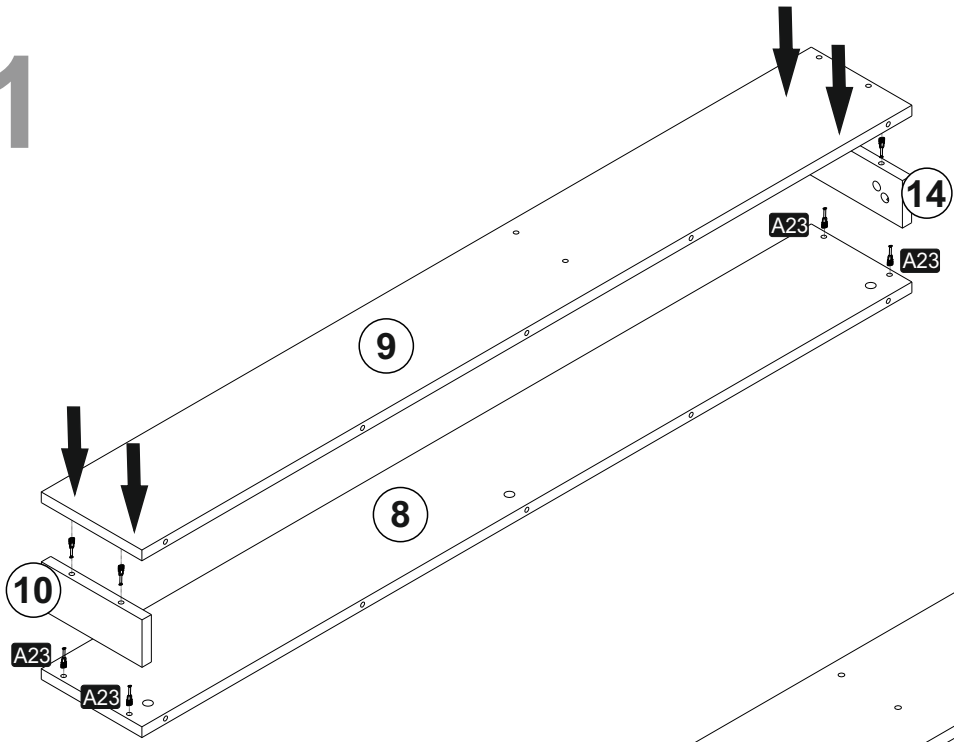
A23 Minifix M10  22x	A22 Minifix G18  22x	A04 KVLY  4x	A17 4x50  17x	A41 4x30  6x
A06 18 mm  ANT 4x	A16 DB 8mm  4x	A28 5x80  4x	A66 Kbl St  1x	A10 14mm  DORE 4x
A12 4 SW  1x				

GENERAL VIEW

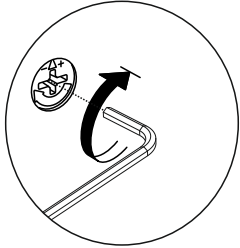
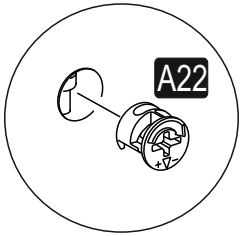
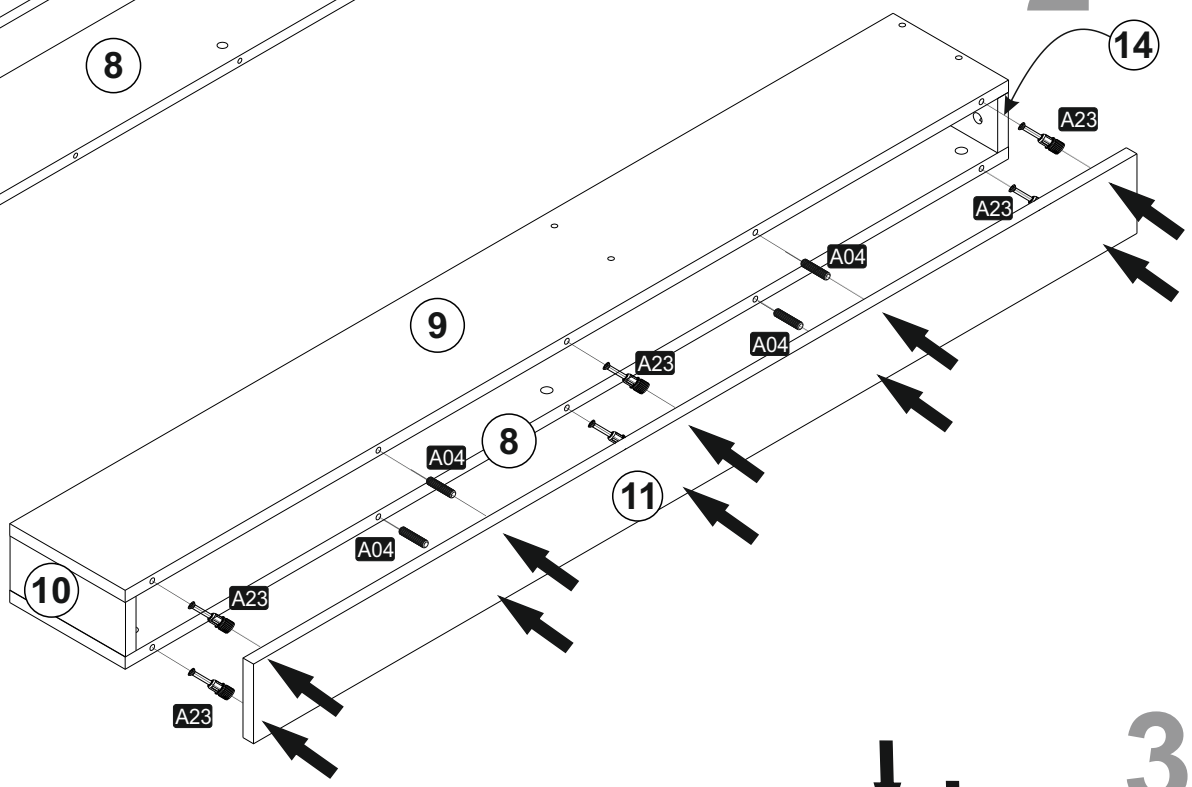
NO	PART CODE	PIECE	LENGHT	WIDHT	THICKNESS
1	01917.01	1	1200	400	18
2	01917.02	1	1200	400	18
3	01917.03	1	1200	400	18
4	01917.04	1	1200	96	18
5	01917.05	1	1200	96	18
6	01917.06	1	1200	146	18
7	01917.07	1	900	146	18
8	01917.08	1	1500	196	18
9	01917.09	1	1500	196	18
10	01917.10	1	80	196	18
11	01917.11	1	1500	117	18
12	01917.12	2	96	146	18
13	01917.13	1	1200	146	18
14	01917.14	1	80	196	18
15	01917.15	2	900	146	18



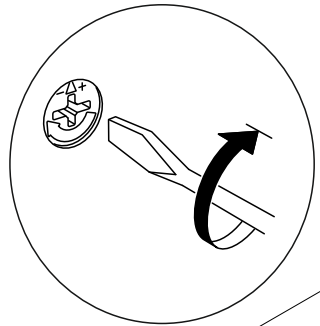
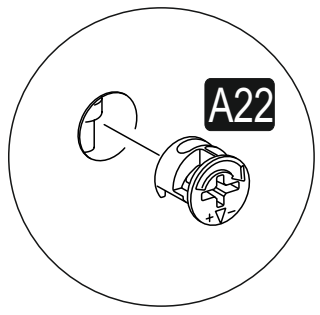
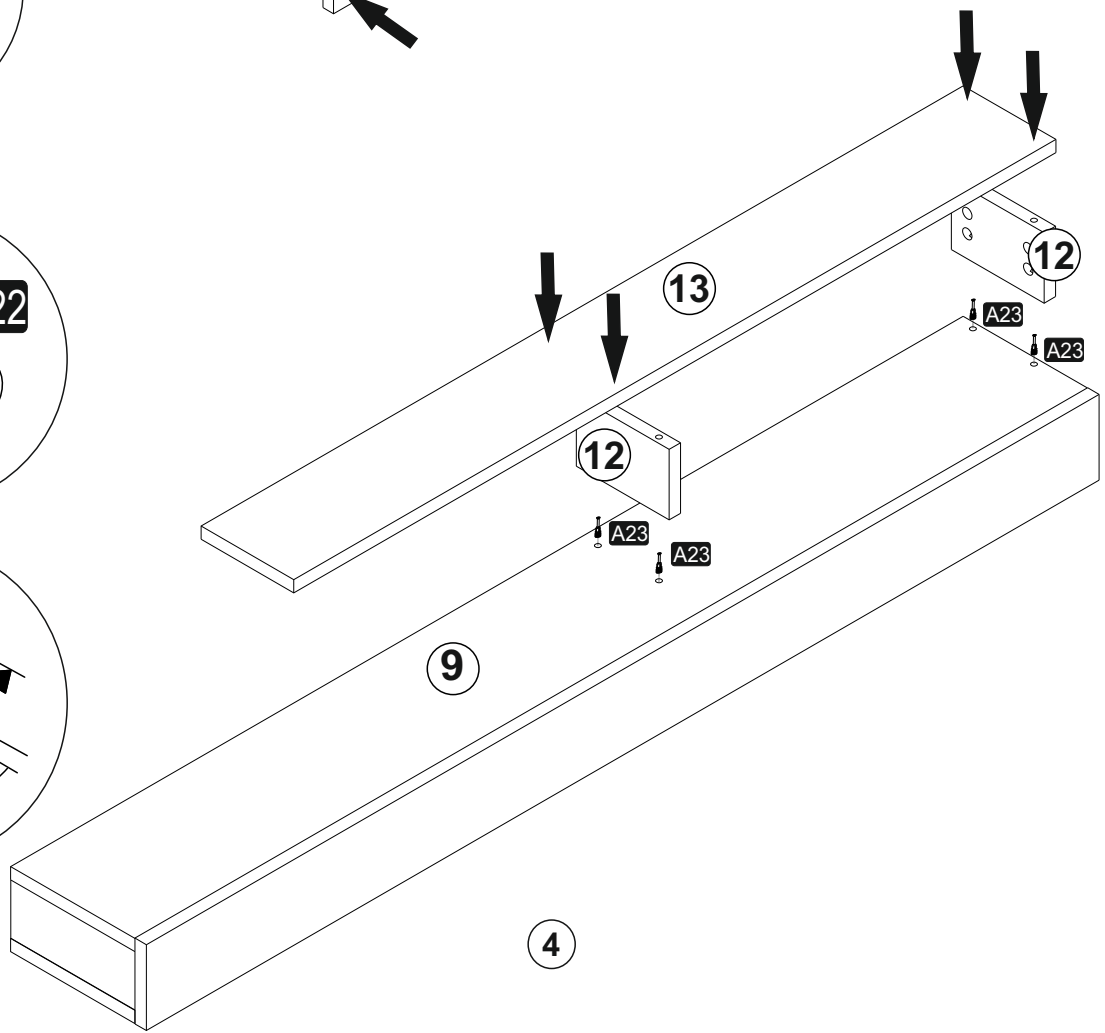
1



2

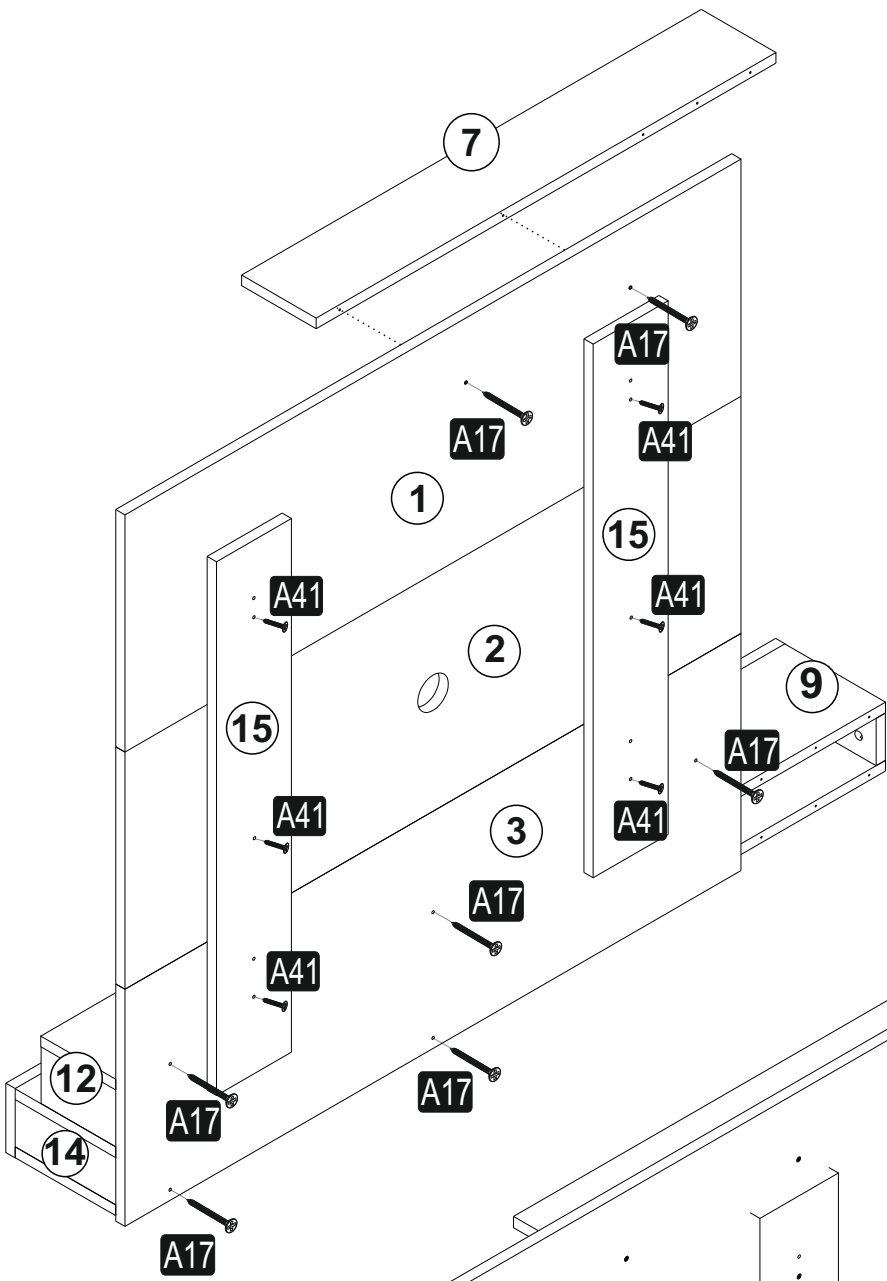


3

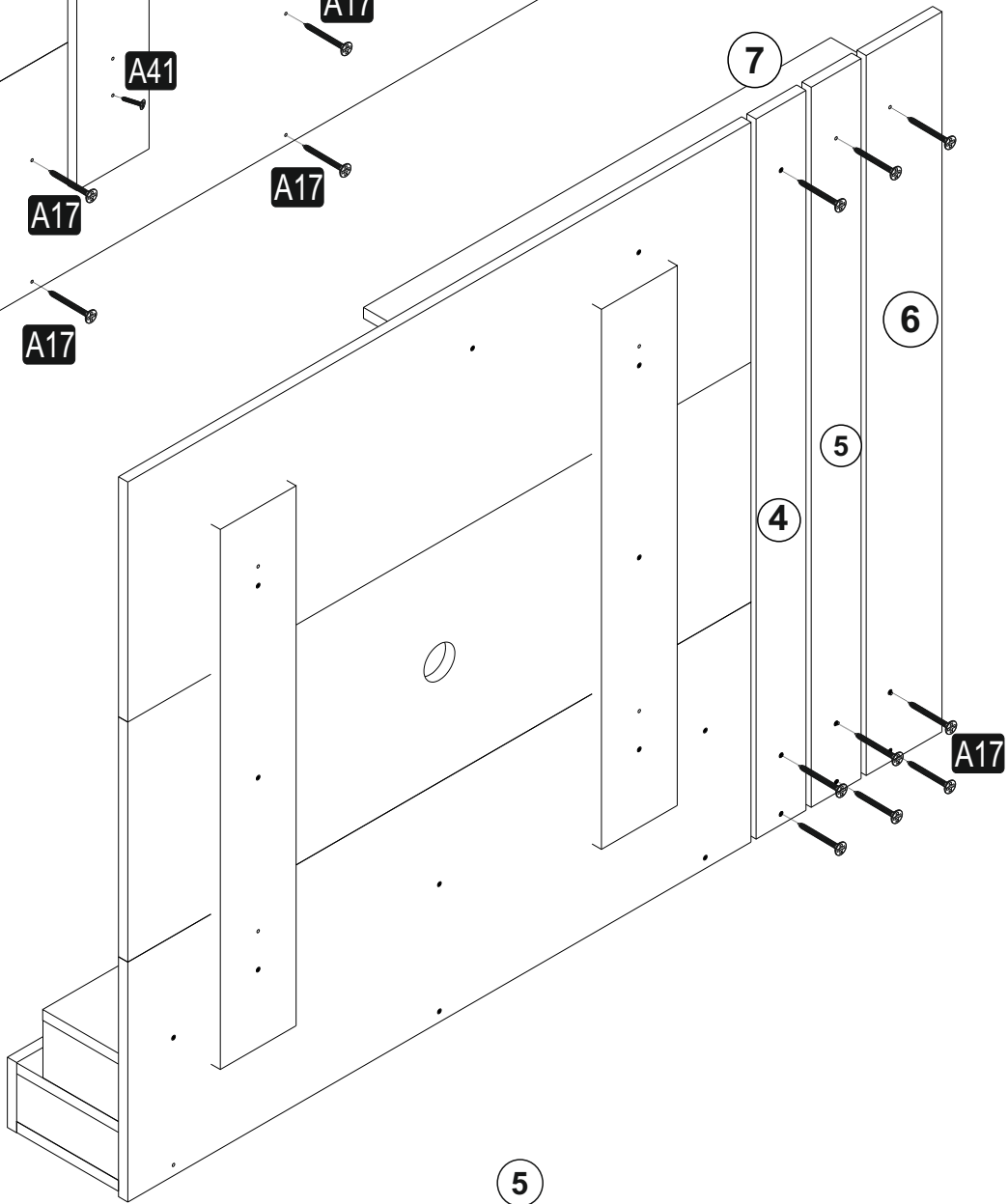


4

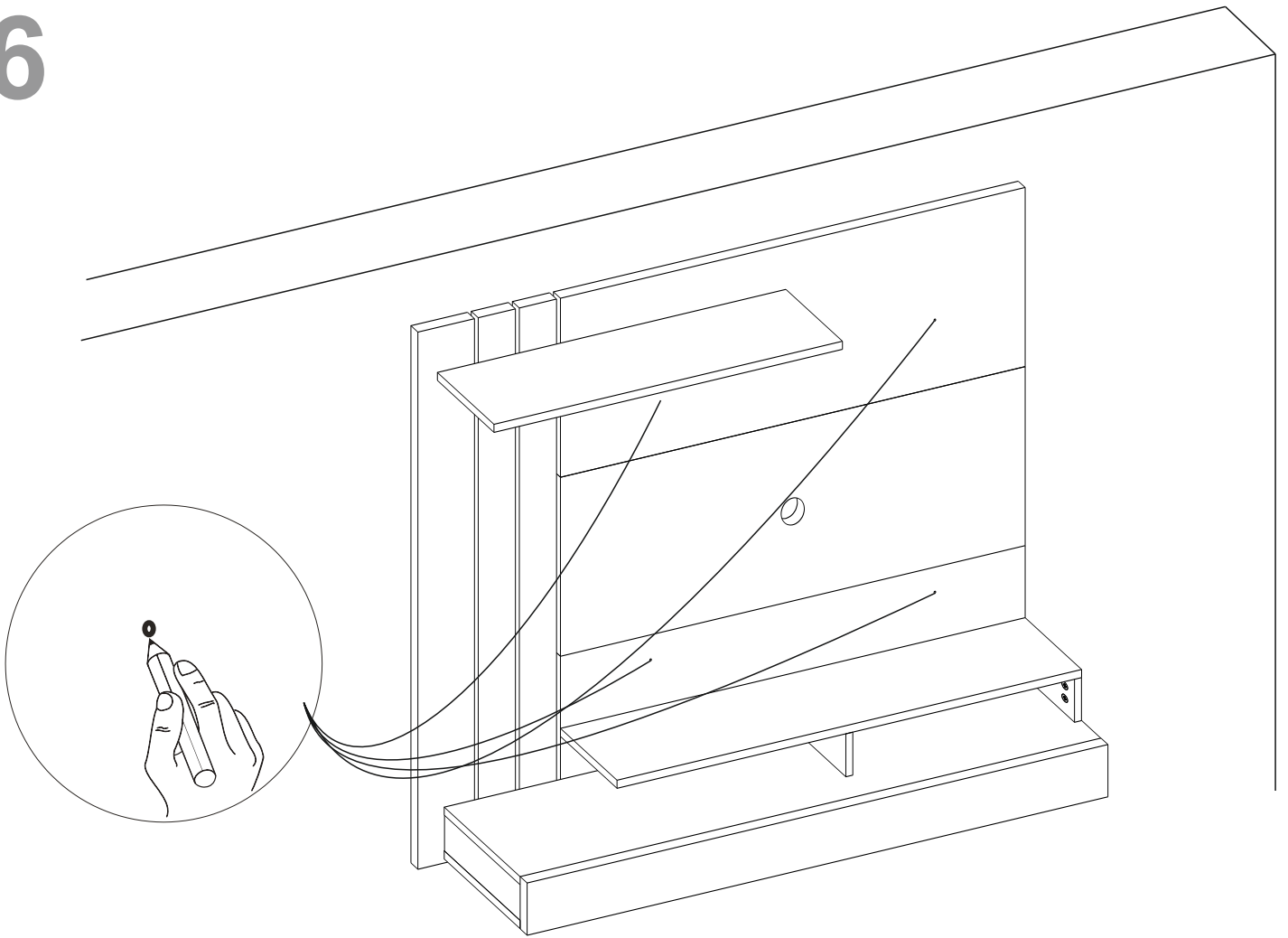
4



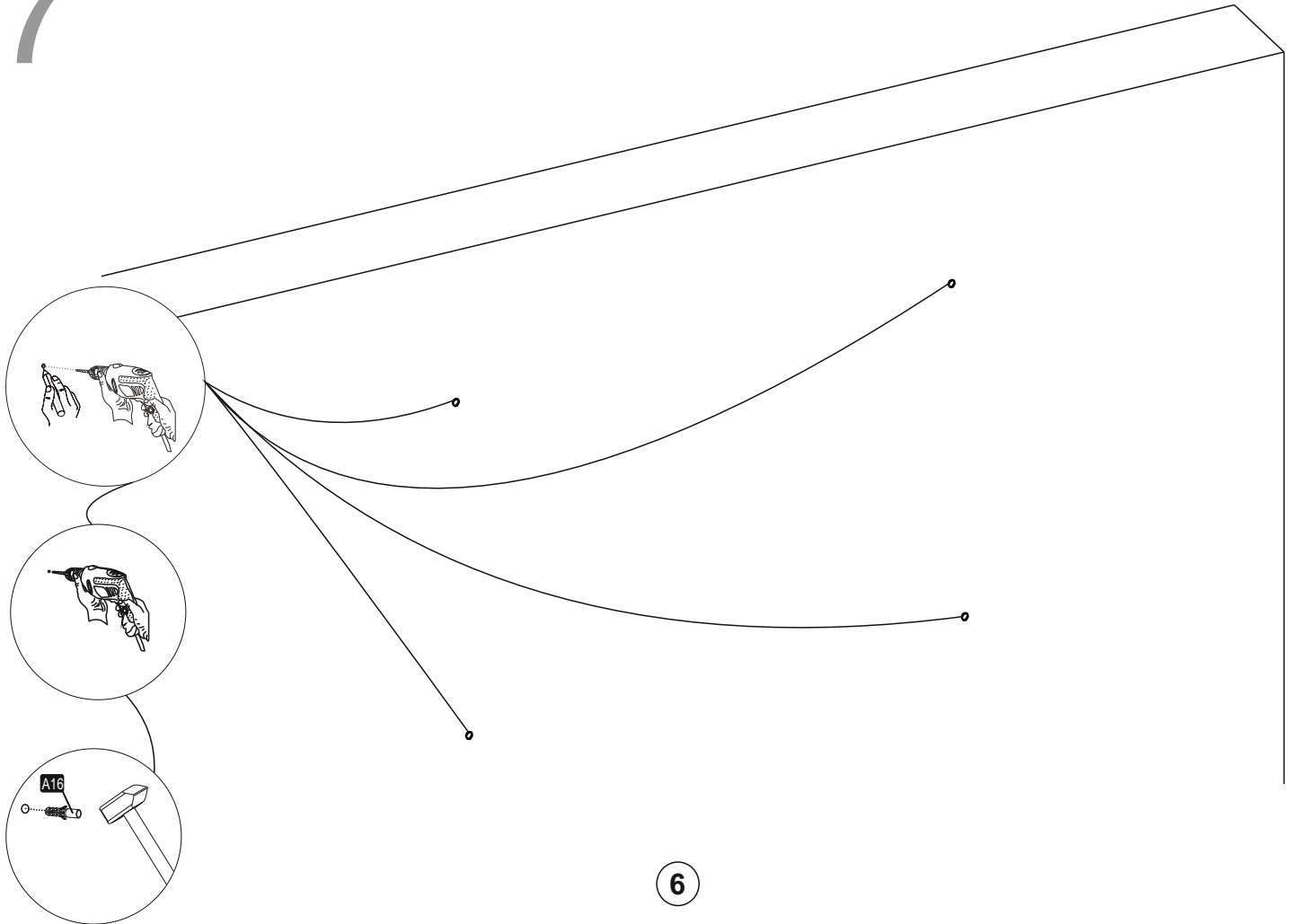
5



6

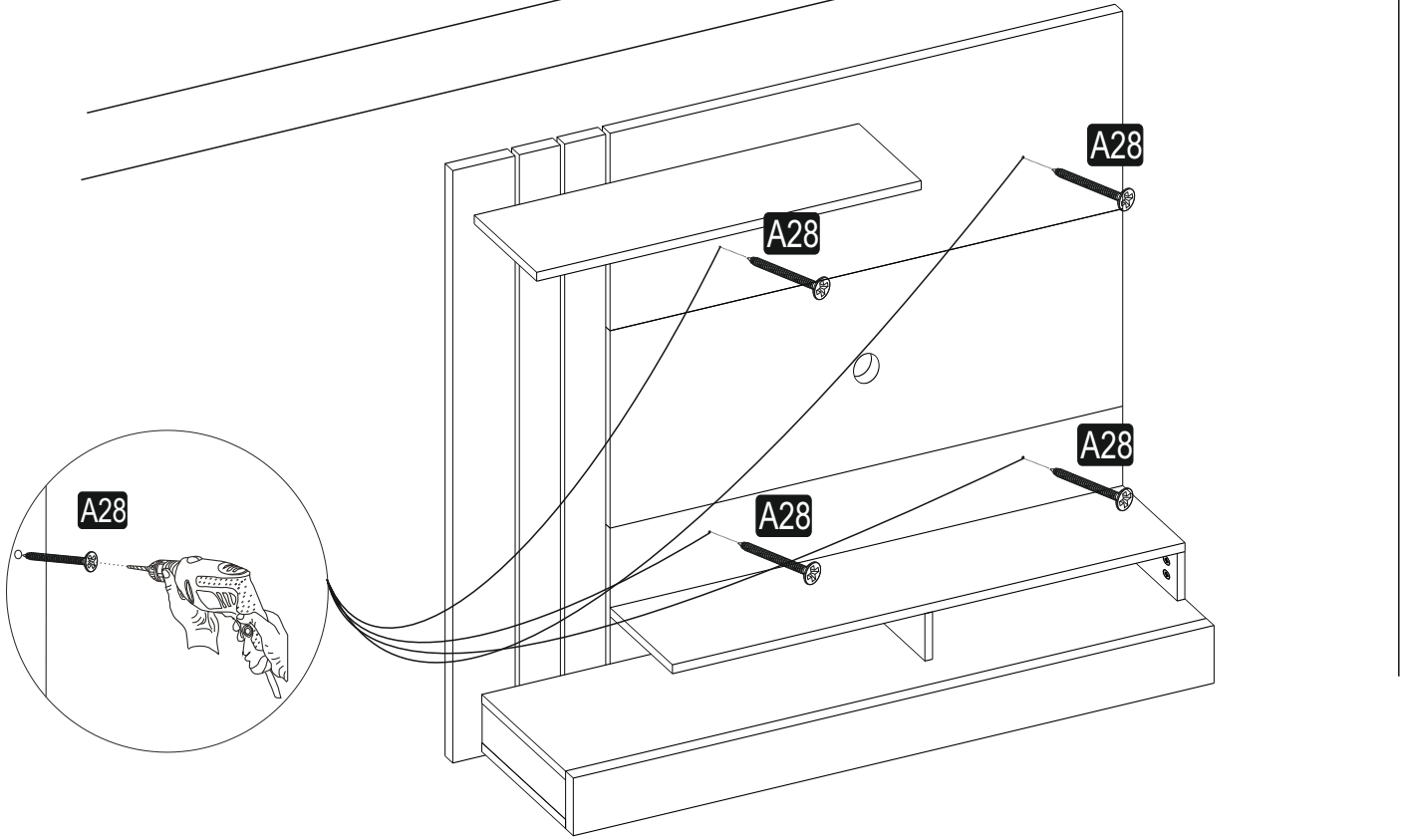


7

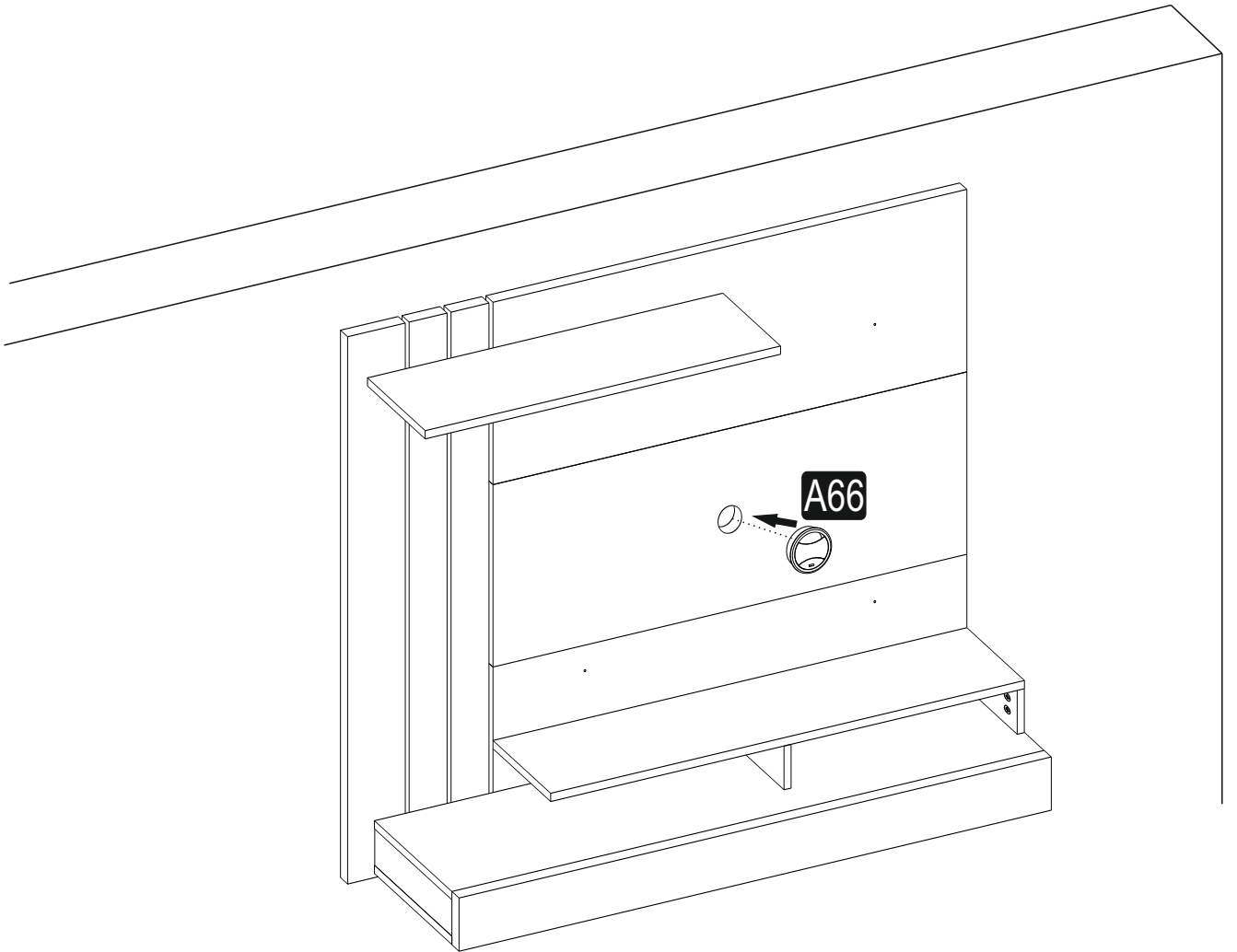


6

8



9



7