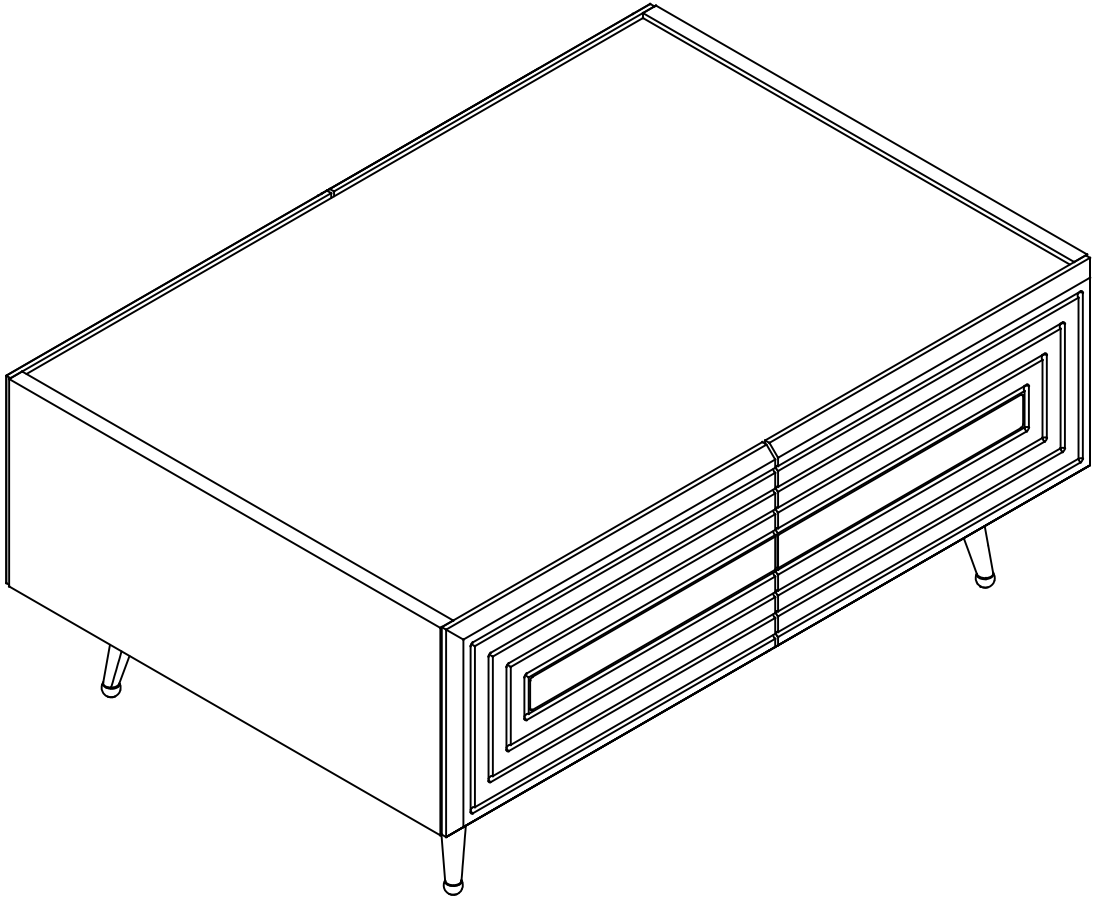


JOSE

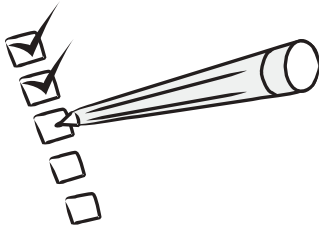
ORTA SEHPA-BEYAZ



Dear Customer,

We design and produce our products for people to love and have fun with them as we do.

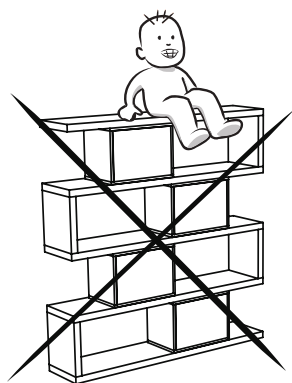
The product you bought was subjected to all sorts of tests and control before sending out to you.



Before start assembling, please check the whole components and accessories according to the lists. If you bought more than one product, to prevent confusion be sure that you completed the first product. Then start the other product's assembling.



Before start assembling, please clean all the components with a damp cloth. Also for usual cleaning, this will be enough.

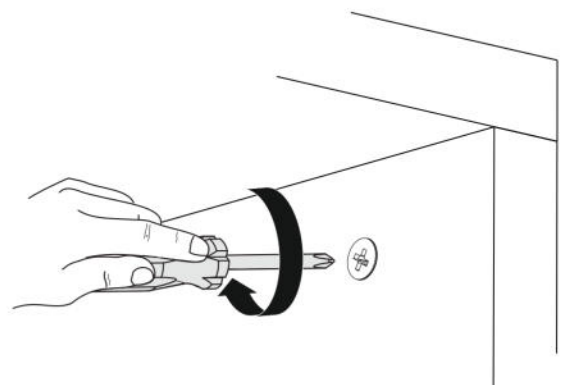
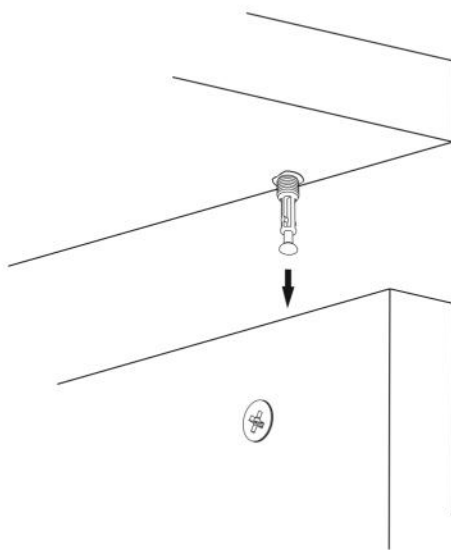
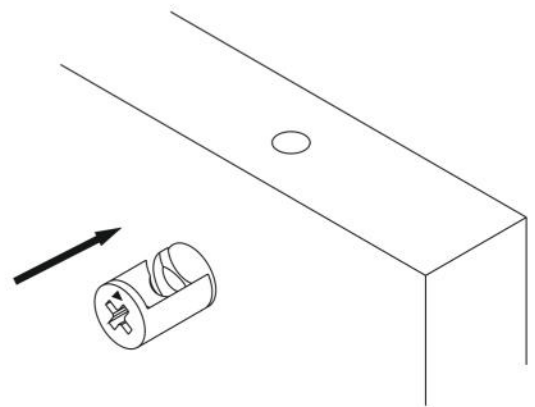
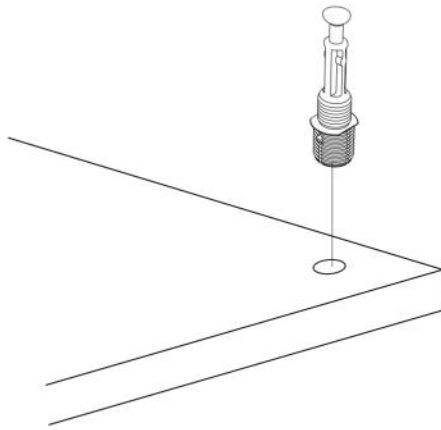
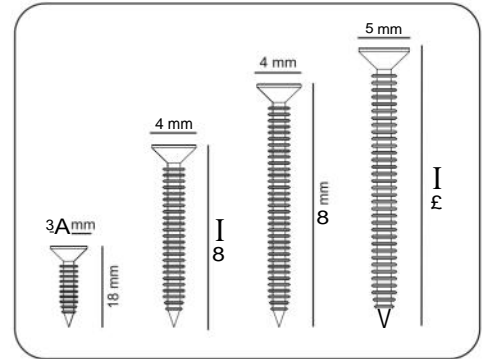
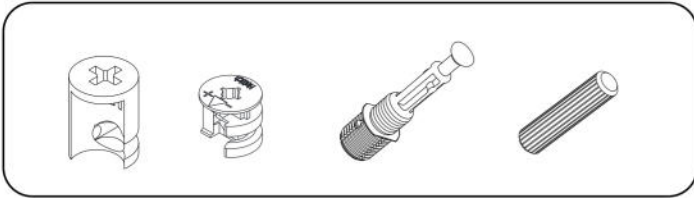


Do not use your furniture for out of purposes. If you would like to use it, please contact us for further questions.

Do not directly contact your furniture with excessive heat, cold and humidity because the product can be affected..

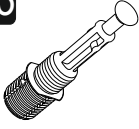

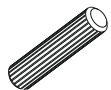

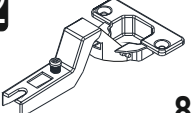
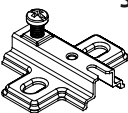
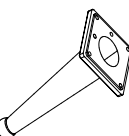

ATTENTION !!

Minifix is the main connection material used in products. Before starting assembly, please check the drawings below.

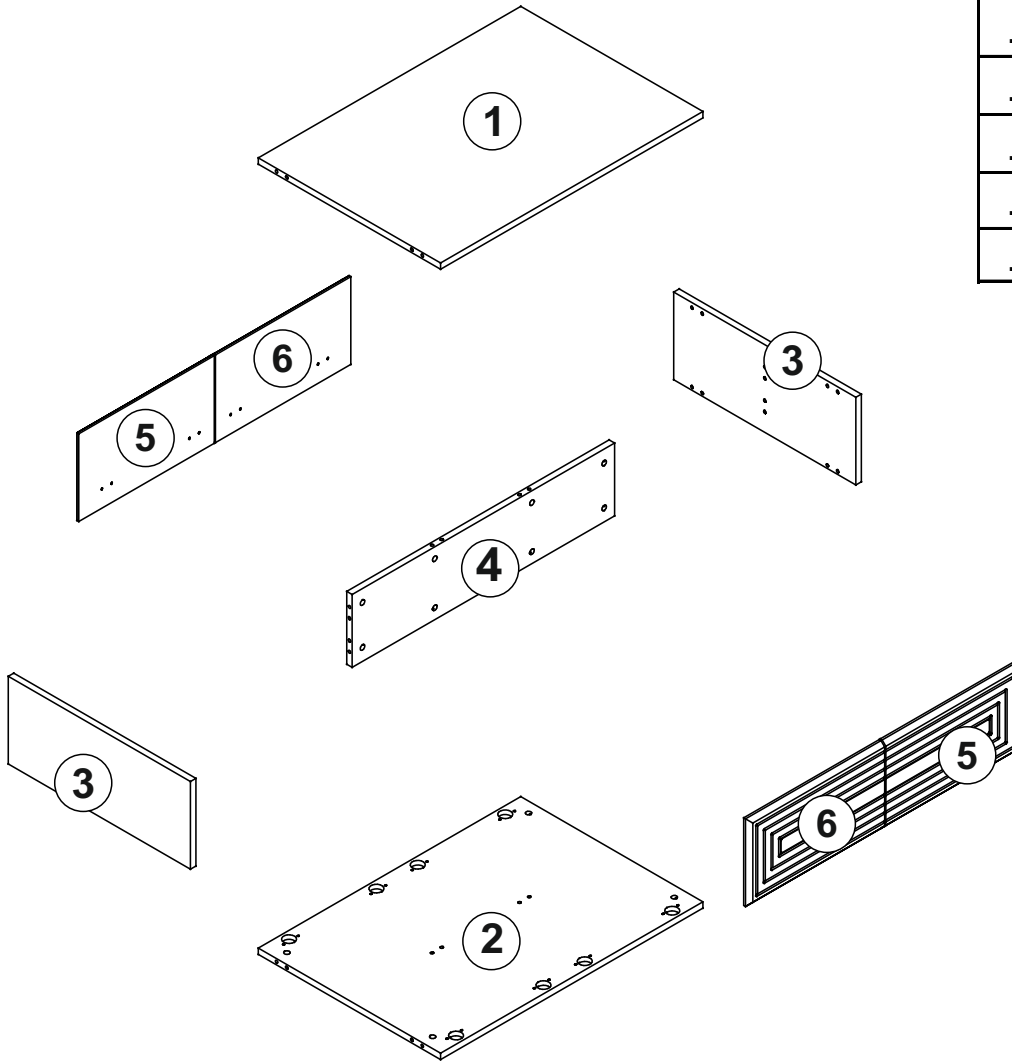


ACCESSORY LIST

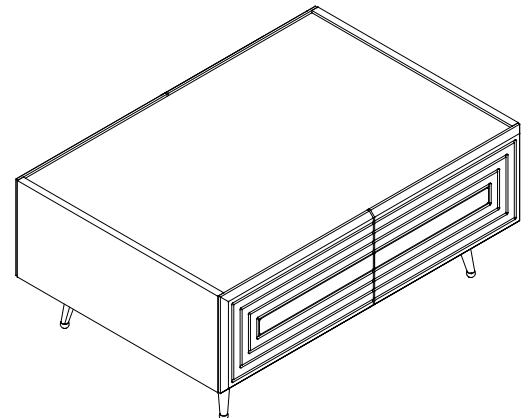
JOSE ORTA SEHPA

A23 Minifix M8  8x34 16x	A22 Minifix G18  15x14 16x	A04 PLSTK KVLVY  8x30 16x	A18 YHB VD  3,5x18 48x	C02 SDM  8x
C06 SD MA  8x	V60 AYK Gold 14cm  4x	A06 BEYAZ 18 mm  16x		

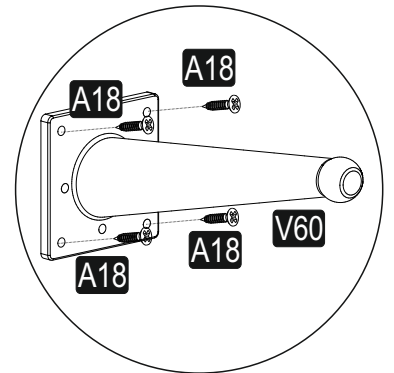
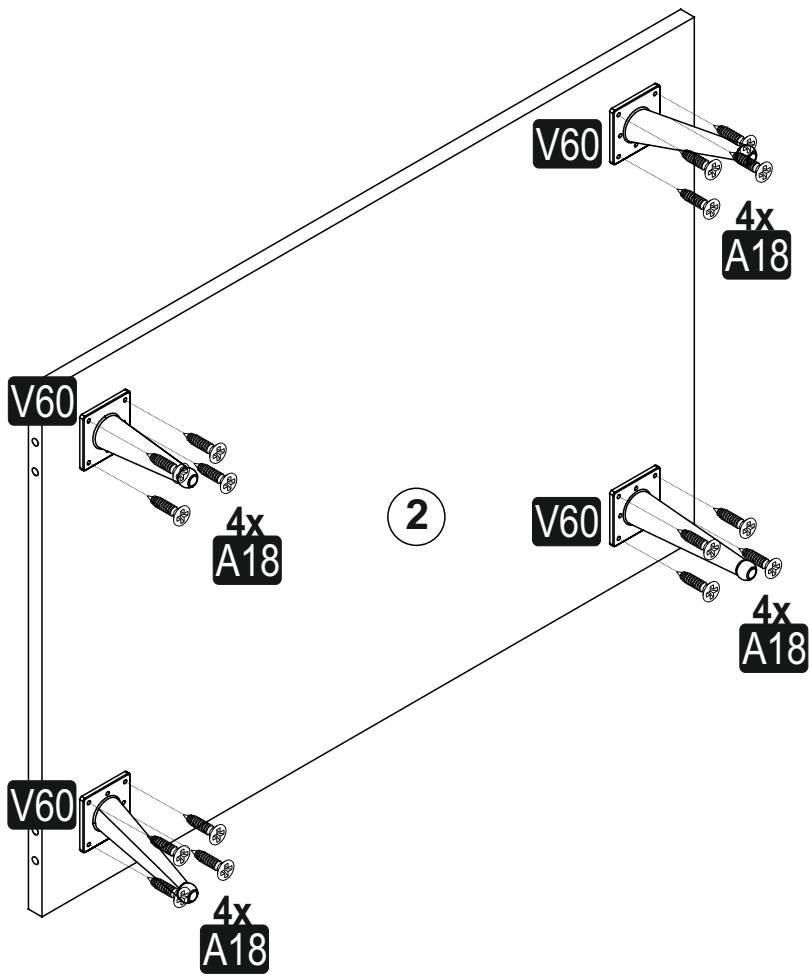
GENERAL VIEW



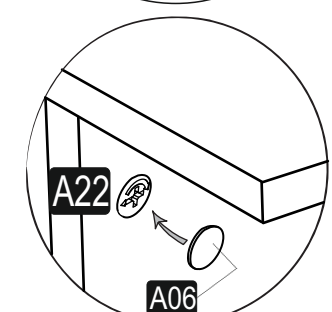
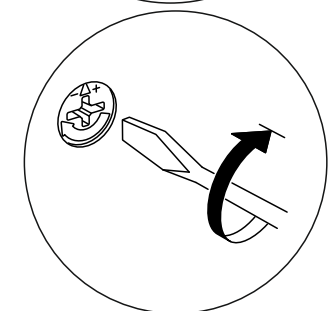
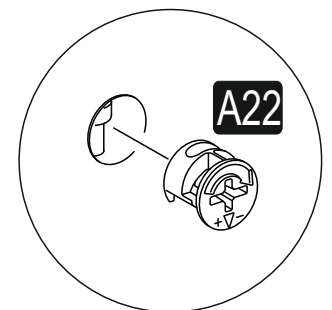
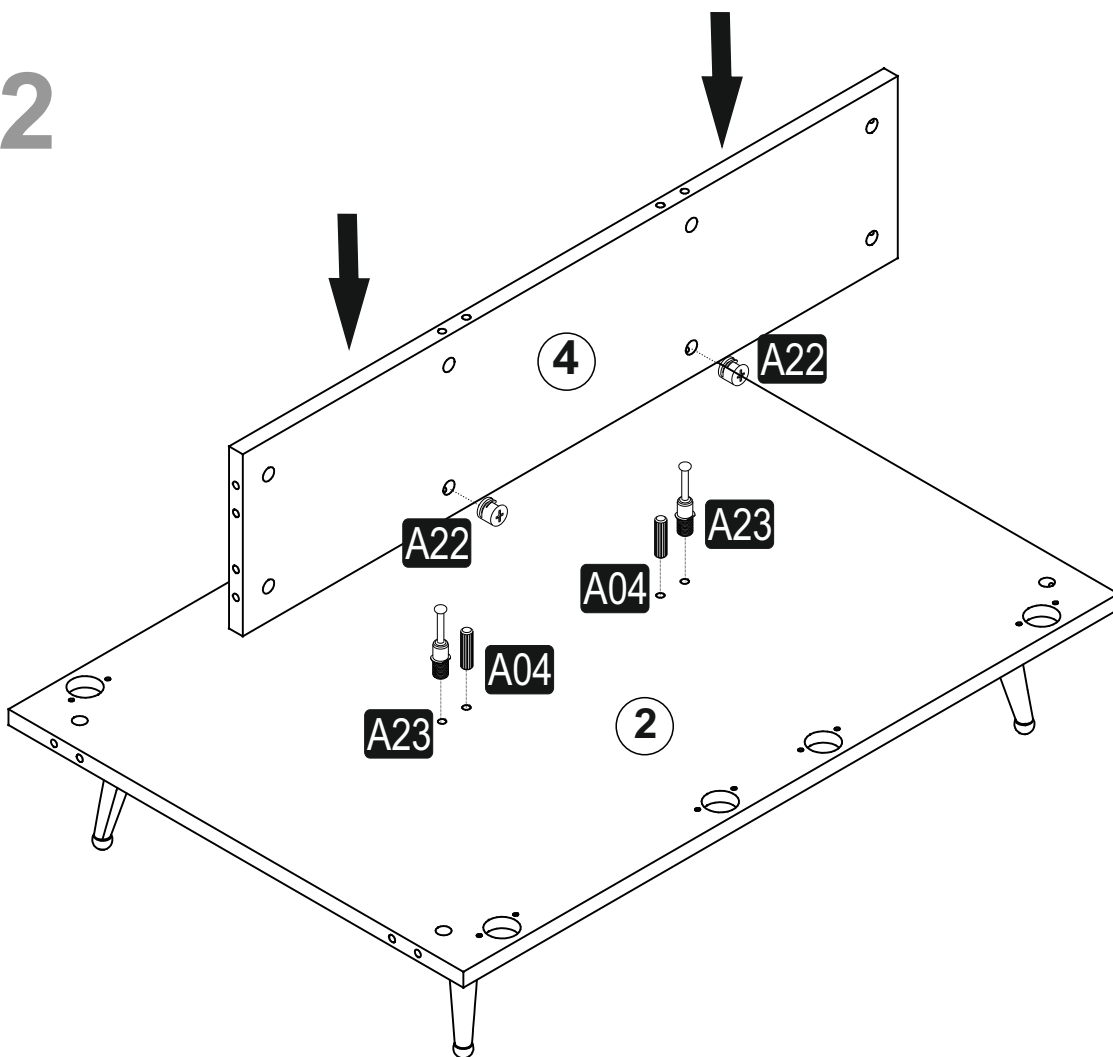
.01	1	864	600	18
.02	1	864	600	18
.03	2	600	250	18
.04	1	864	208	18
.05	2	446	250	18
.06	2	446	250	18



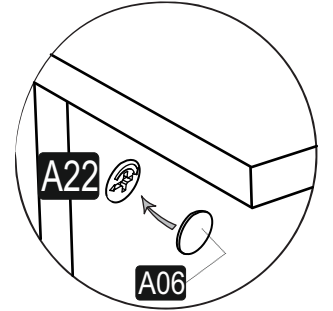
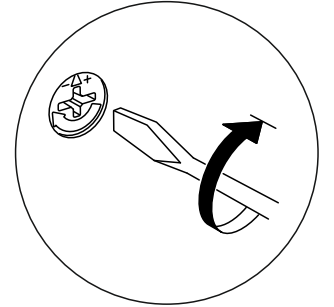
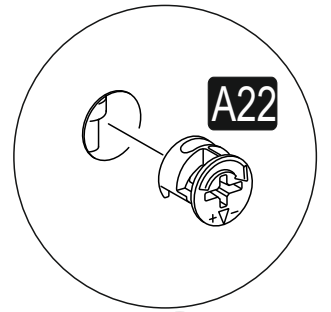
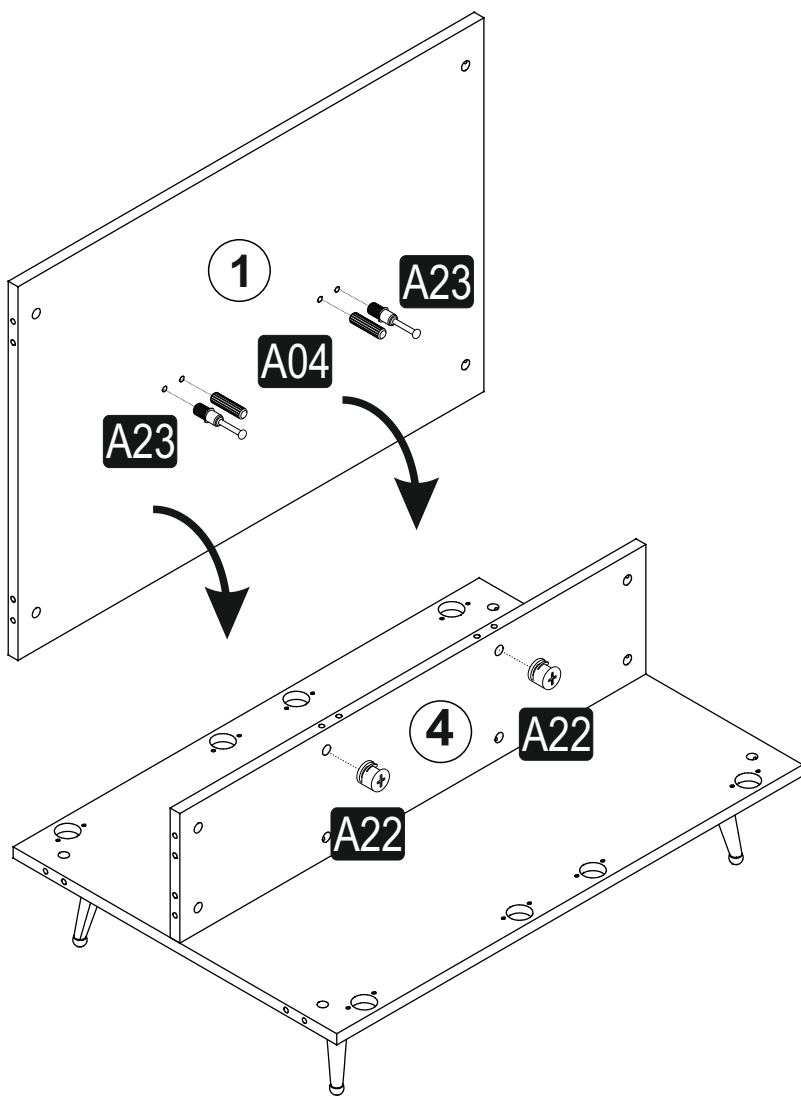
1



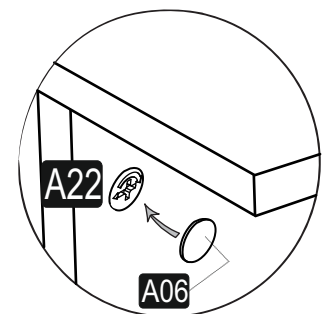
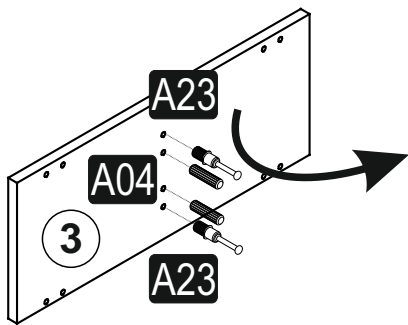
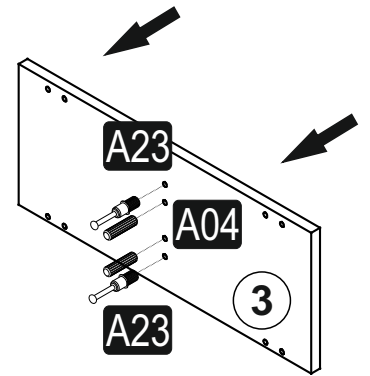
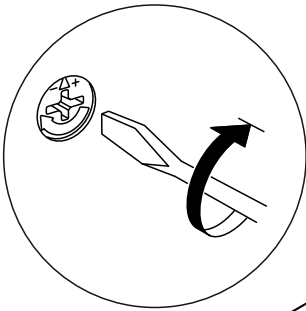
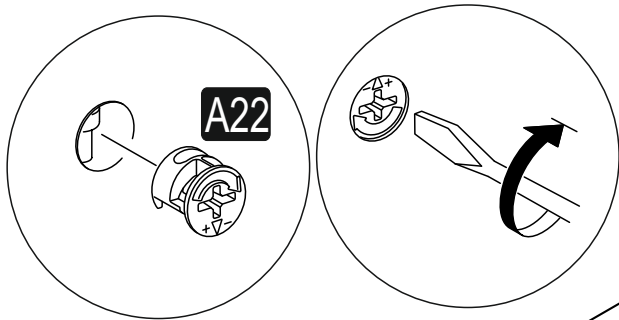
2



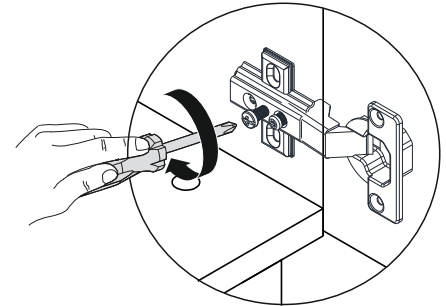
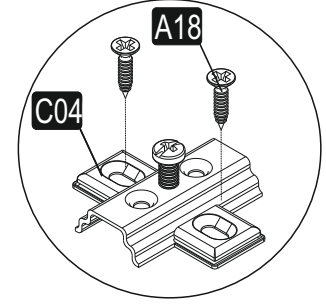
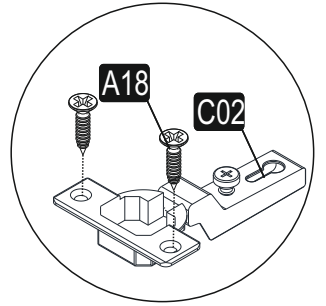
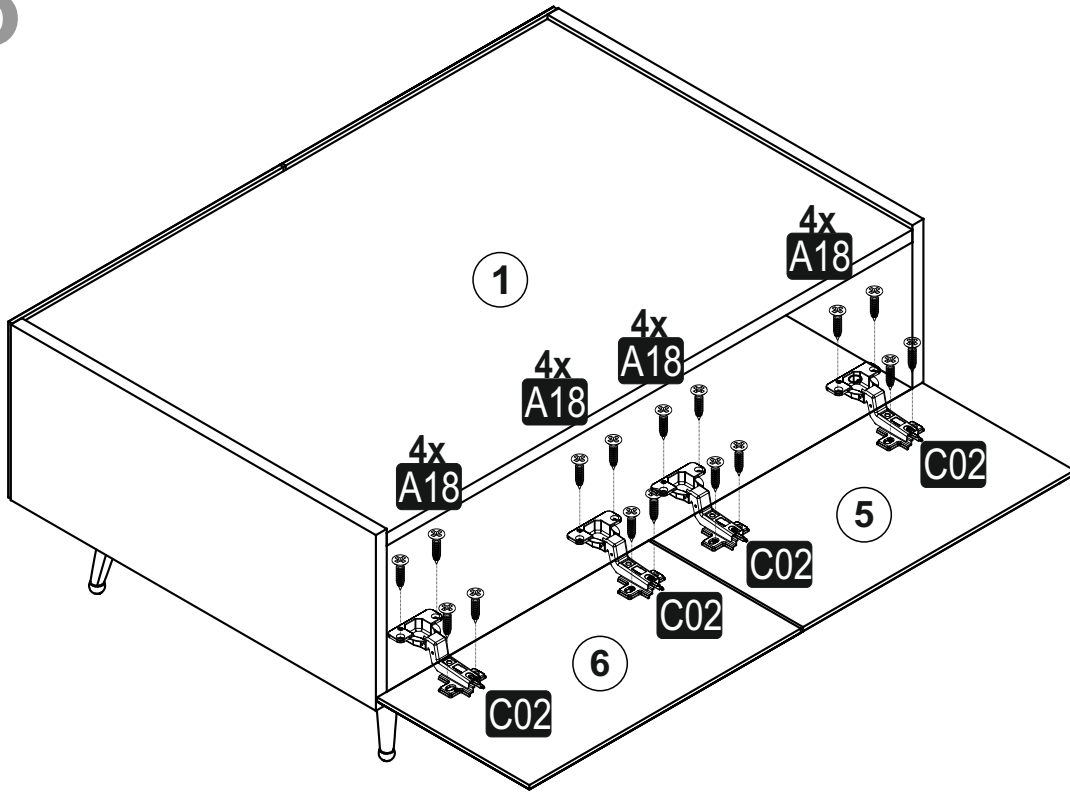
3



4



5



6

