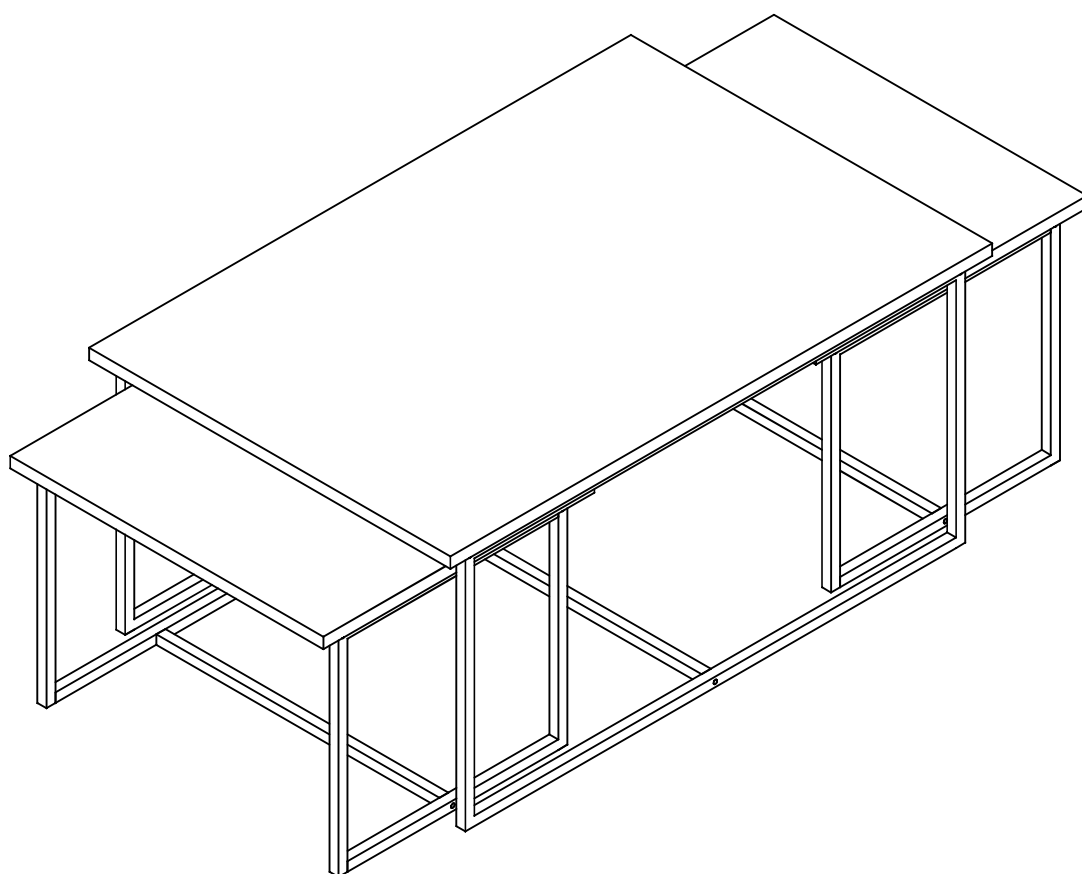


# LAVEDA

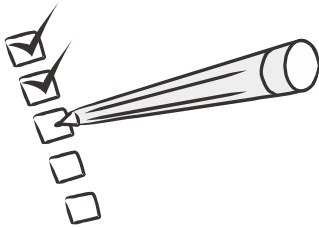
---



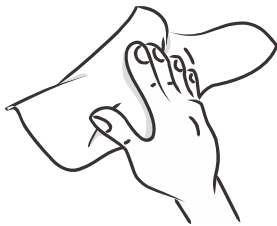
Dear Customer,

We design and produce our products for people to love and have fun with them as we do.

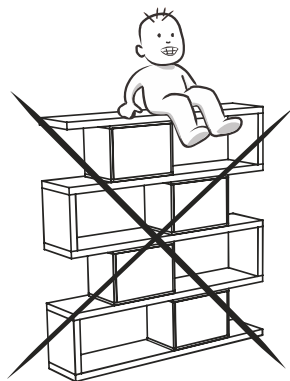
The product you bought was subjected to all sorts of tests and control before sending out to you.



Before start assembling, please check the whole components and accessories according to the lists. If you bought more than one product, to prevent confusion be sure that you completed the first product. Then start the other product's assembling.



Before start assembling, please clean all the components with a damp cloth. Also for usual cleaning, this will be enough.

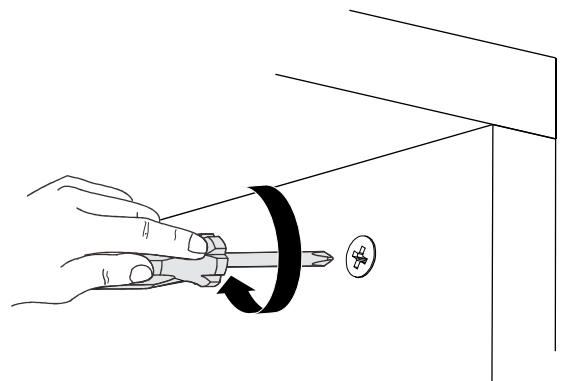
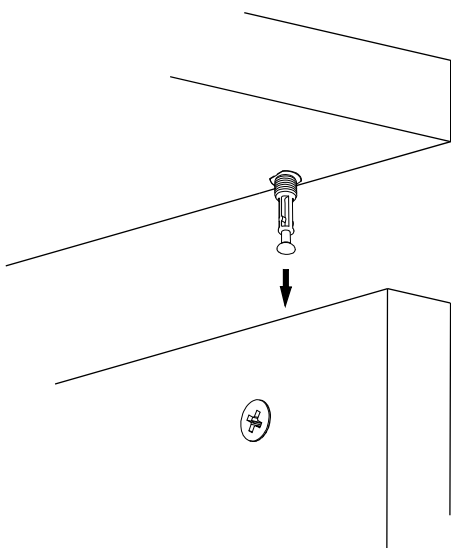
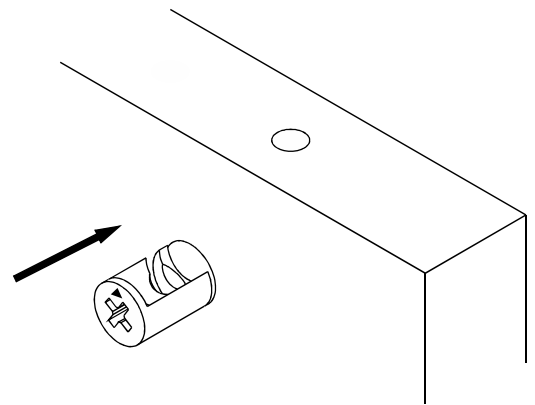
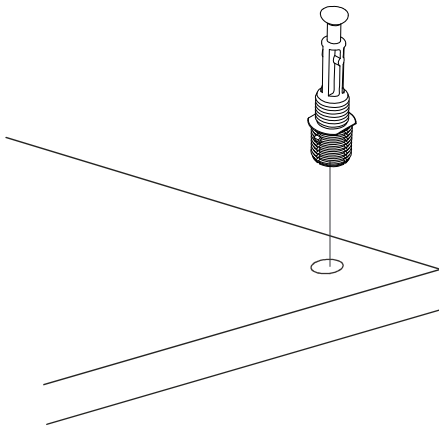
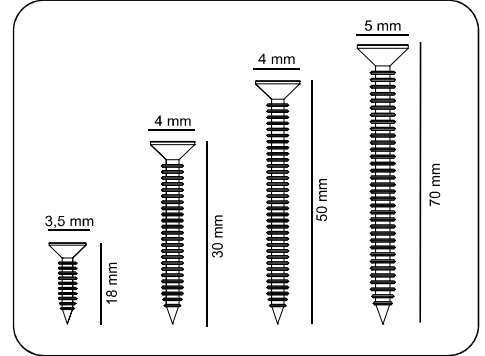
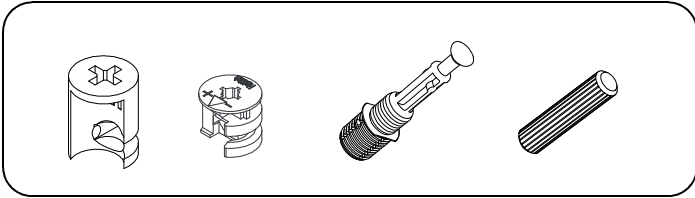


Do not use your furniture for out of purposes. If you would like to use it, please contact us for further questions.

Do not directly contact your furniture with excessive heat, cold and humidity because the product can be affected..



# ATTENTION !!

Minifix is the main connection material used in products. Before starting assembly, please check the drawings below.



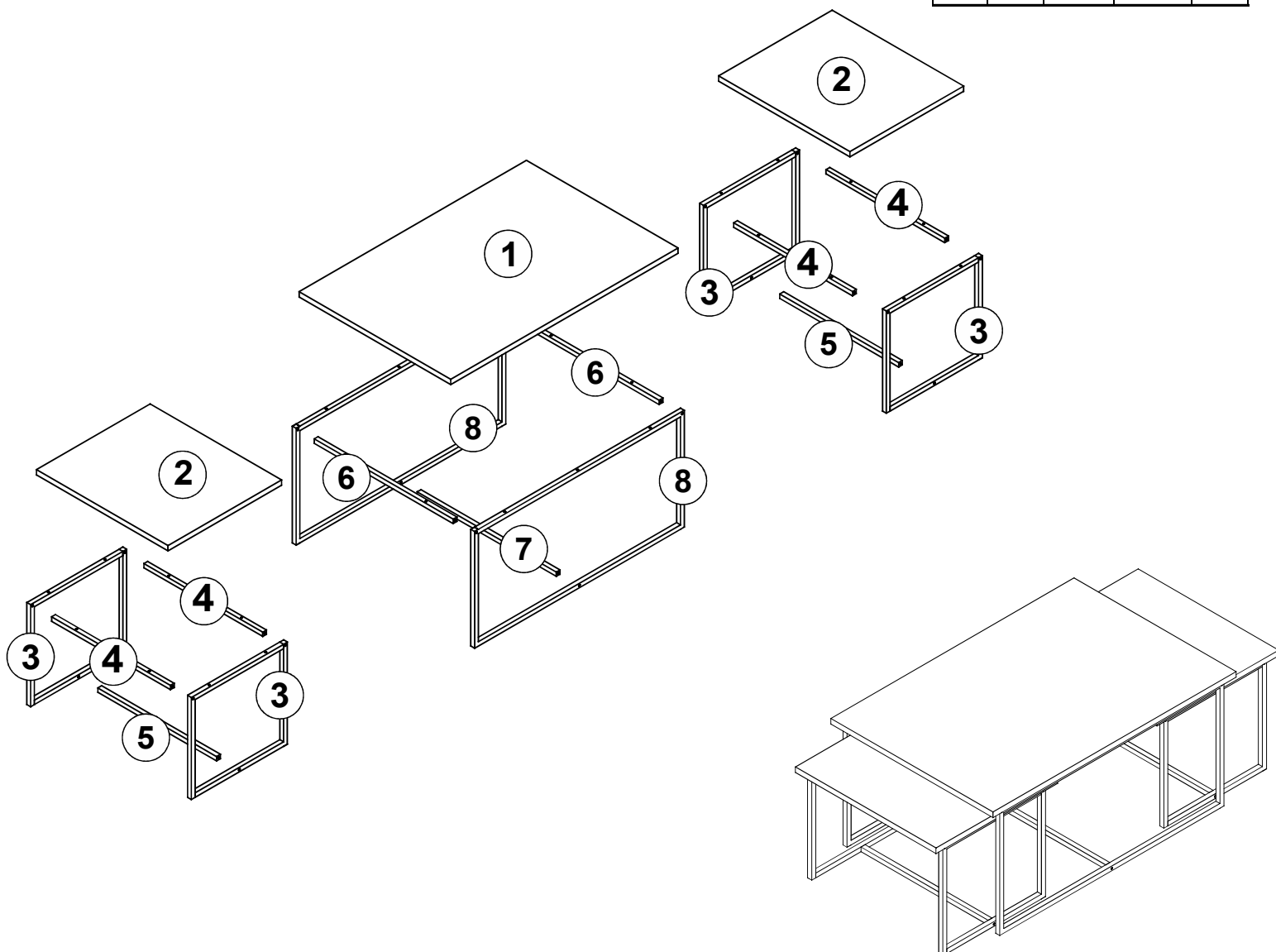
# ACCESSORY LIST

# LAVEDA SEHPA

<b>A41</b>  YHB VD 4x30 <b>26x</b>	<b>V27</b>  YSB MVD 6x30 <b>SYH 18x</b>			

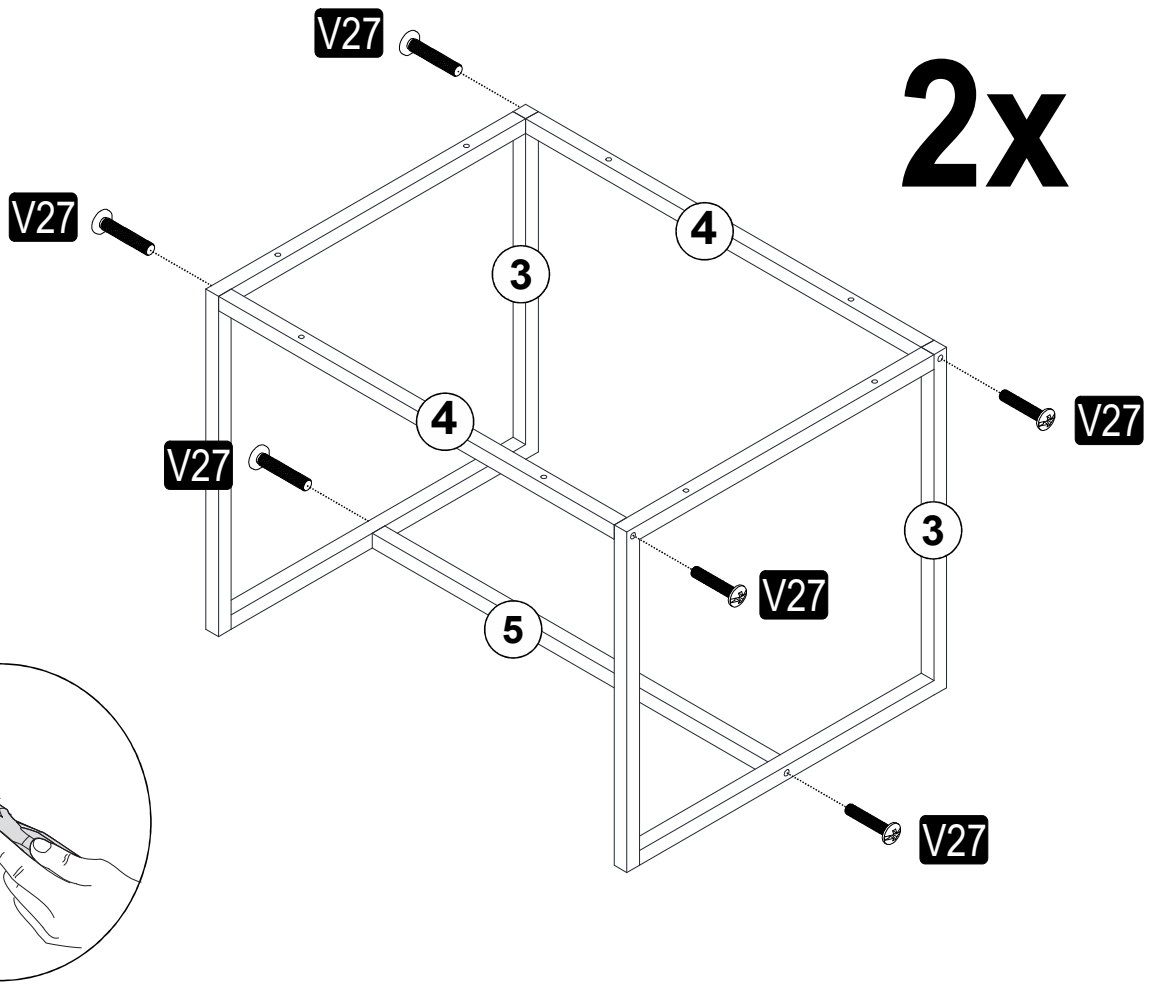
## GENERAL VIEW

.01	1	900	600	18
.02	1	450	520	18
.03	4	380	350	15
.04	4	470	15	15
.05	2	470	15	15
.06	2	550	15	15
.07	1	550	15	15
.08	2	830	400	15

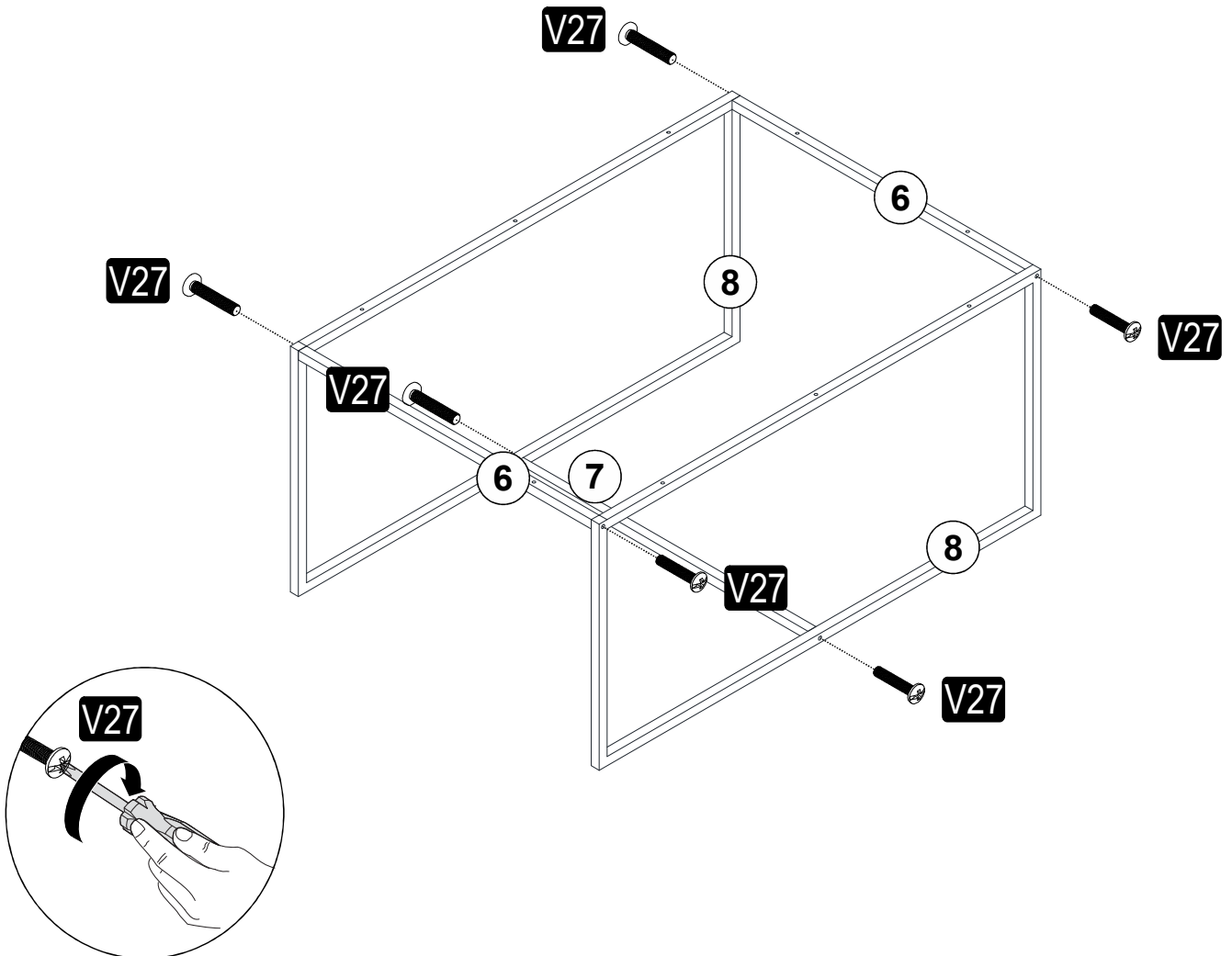


1

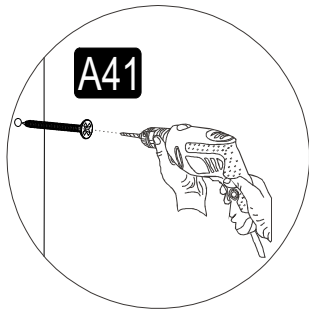
2x



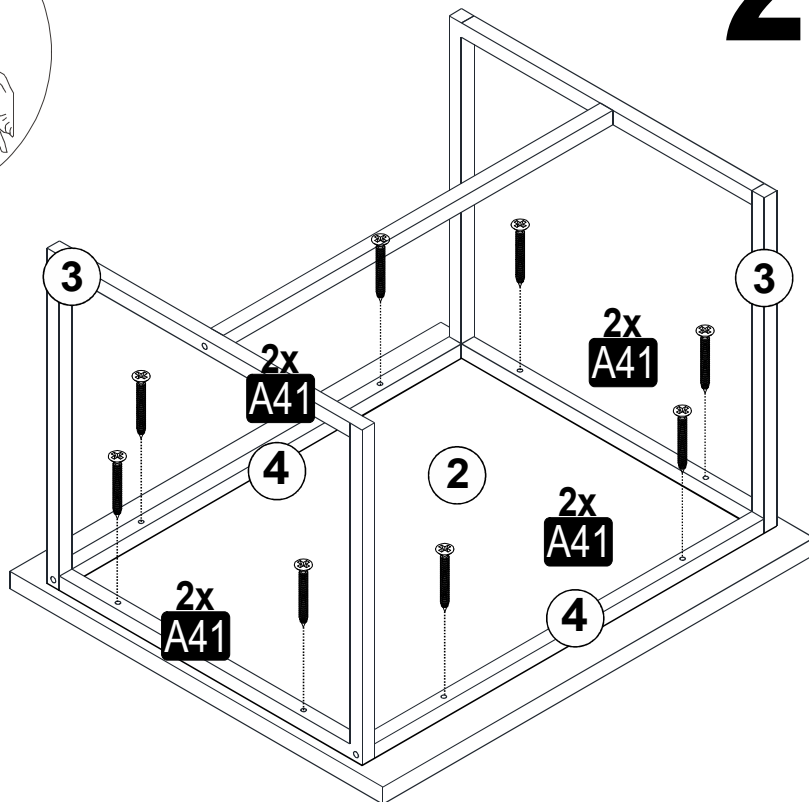
2



3



2x



4

