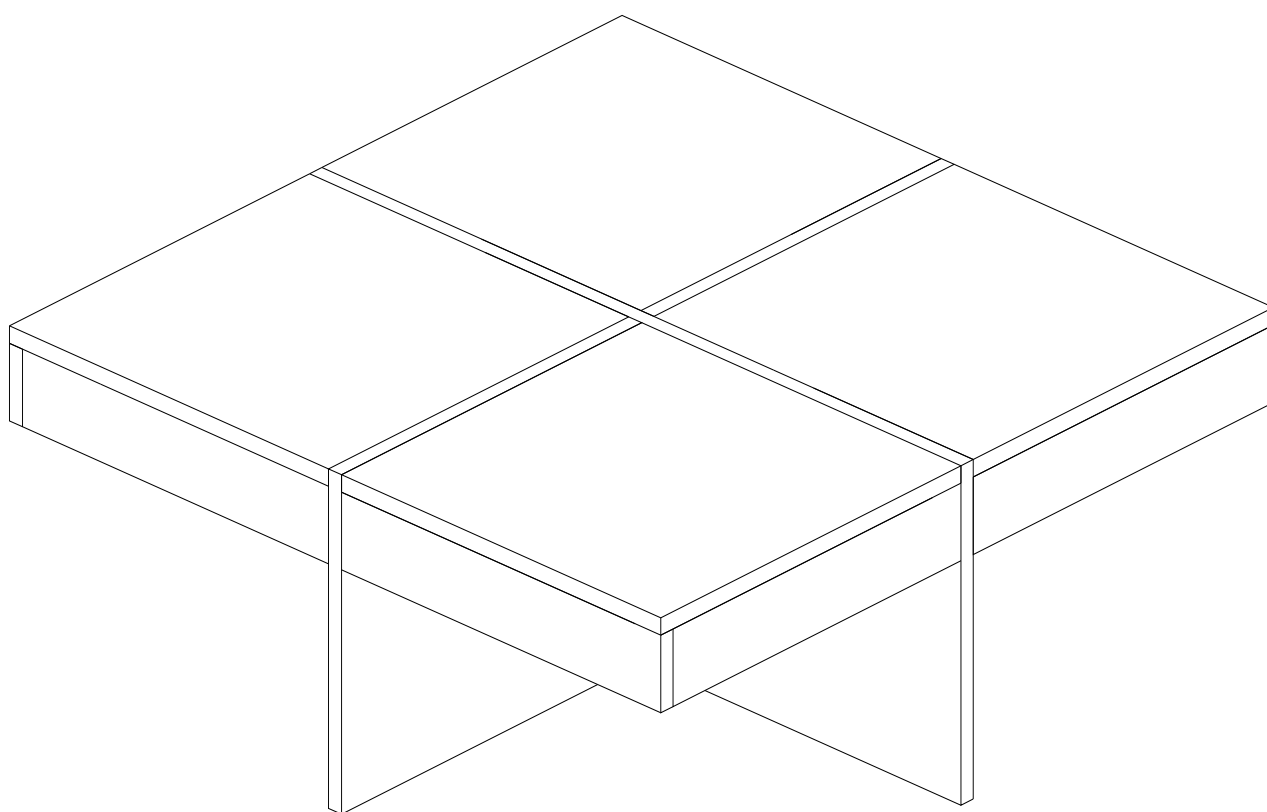
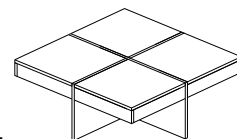


DIAMOND

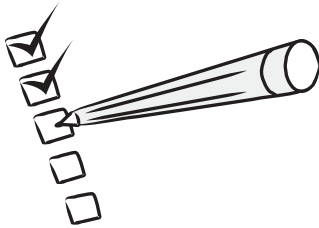
ROYAL



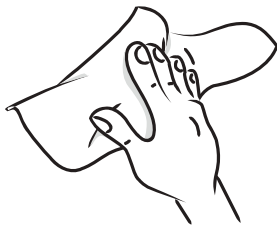
Dear Customer,

We design and produce our products for people to love and have fun with them as we do.

The product you bought was subjected to all sorts of tests and control before sending out to you.



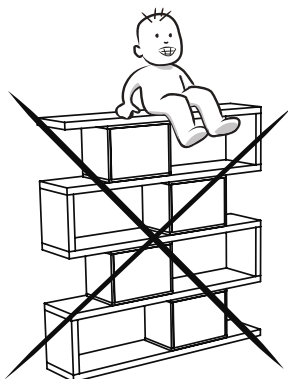
Before start assembling, please check the whole components and accessories according to the lists. If you bought more than one product, to prevent confusion be sure that you completed the first product. Then start the other product's assembling.



Before start assembling, please clean all the components with a damp cloth. Also for usual cleaning, this will be enough.



Although all the products are produced and packed carefully, sometimes happen that some component is damaged during the transportation. In such a case please check the missing or damaged part and do not hesitate to contact us. You can send e-mail to _____ or reach us at _____

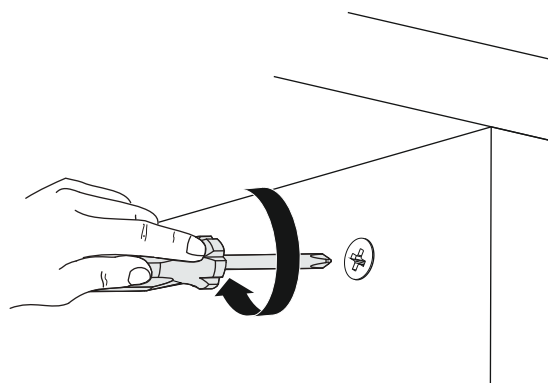
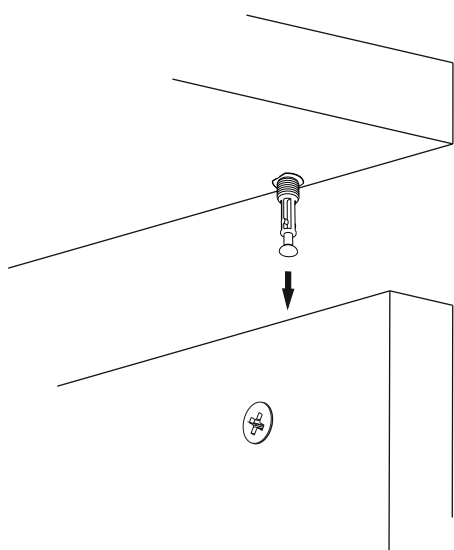
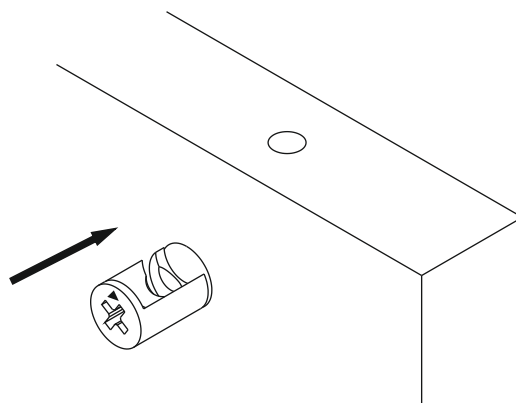
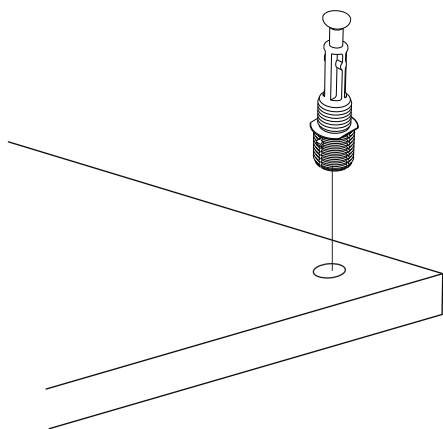
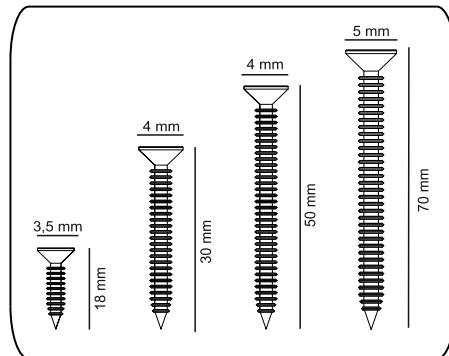
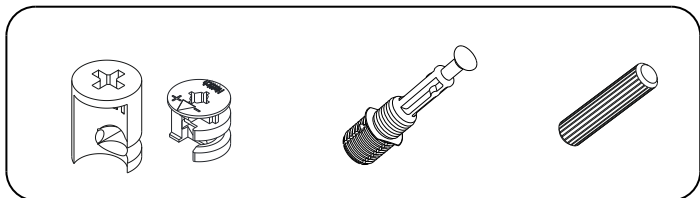


Do not use your furniture for out of purposes. If you would like to use it, please contact us for further questions.

Do not directly contact your furniture with excessive heat, cold and humidity because the product can be affected..

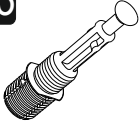
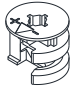
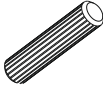
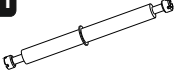

ATTENTION !!

Minifix is the main connection material used in products. Before starting assembly, please check the drawings below.



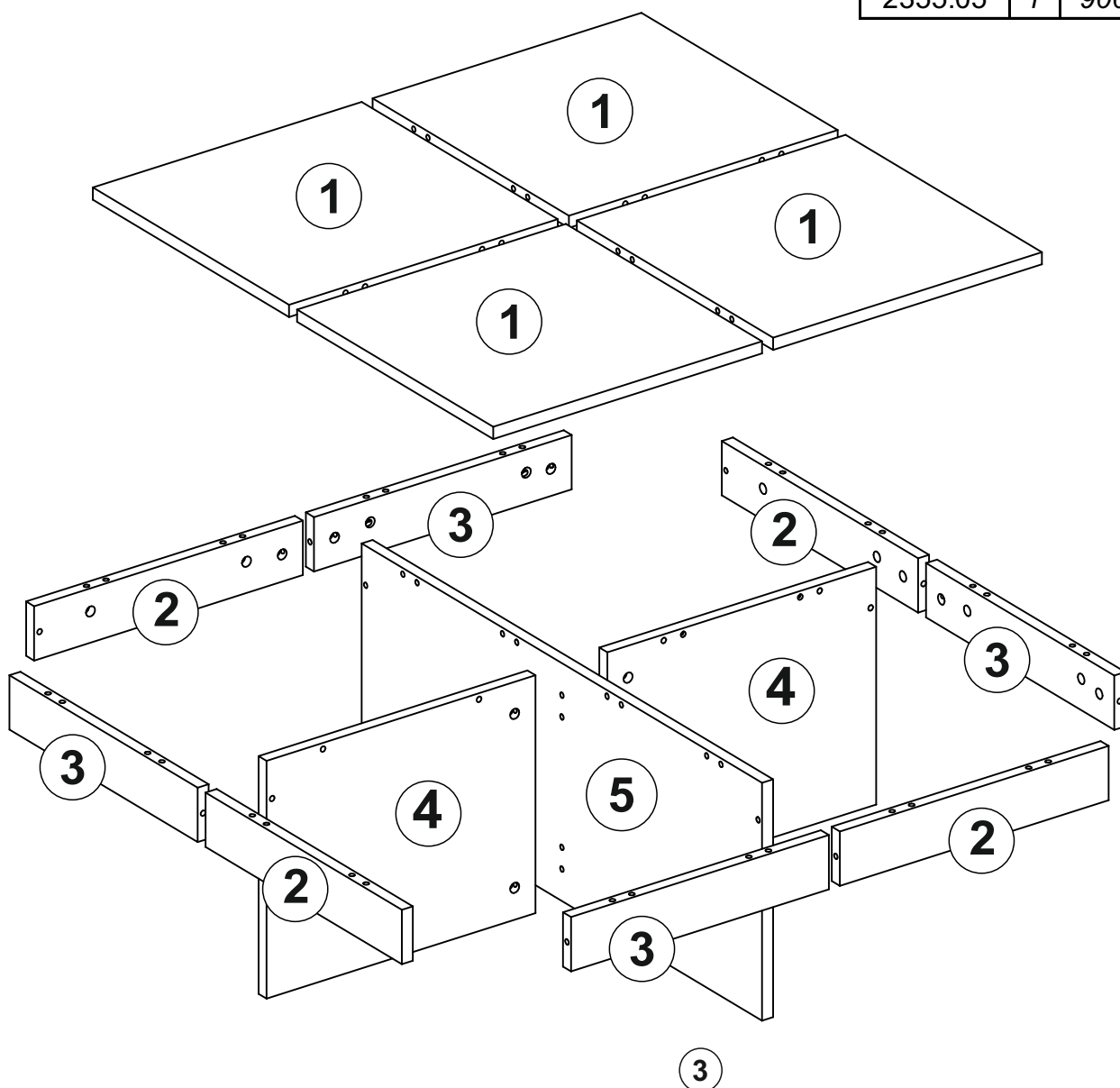
ACCESSORY LIST

DIAMOND ROYAL

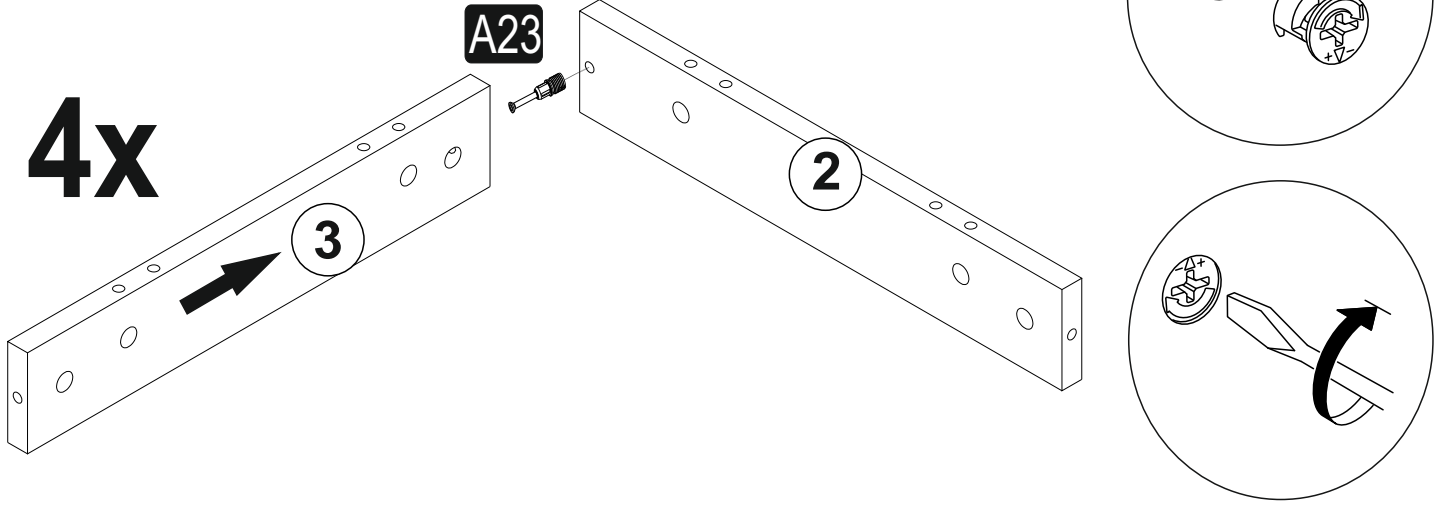
A23 Minifix M8  20x	A22 Minifix G18  48x	A04 KVLV  36x	A31 U Minifix  14x	A06 18 mm  48x

GENERAL VIEW

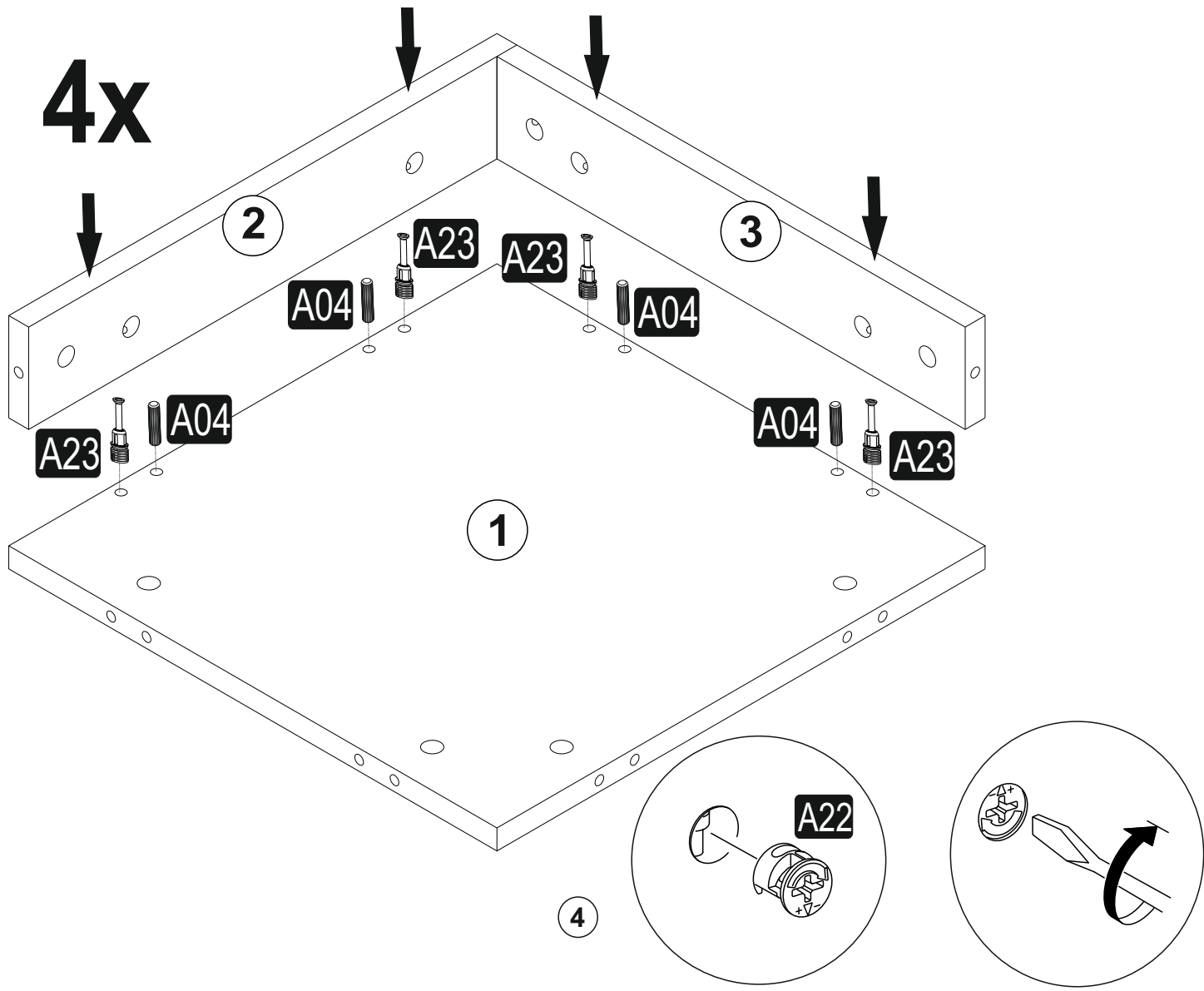
2355.01	4	441	441	18
2355.02	4	441	80	18
2355.03	4	423	80	18
2355.04	2	441	350	18
2355.05	1	900	350	18



1

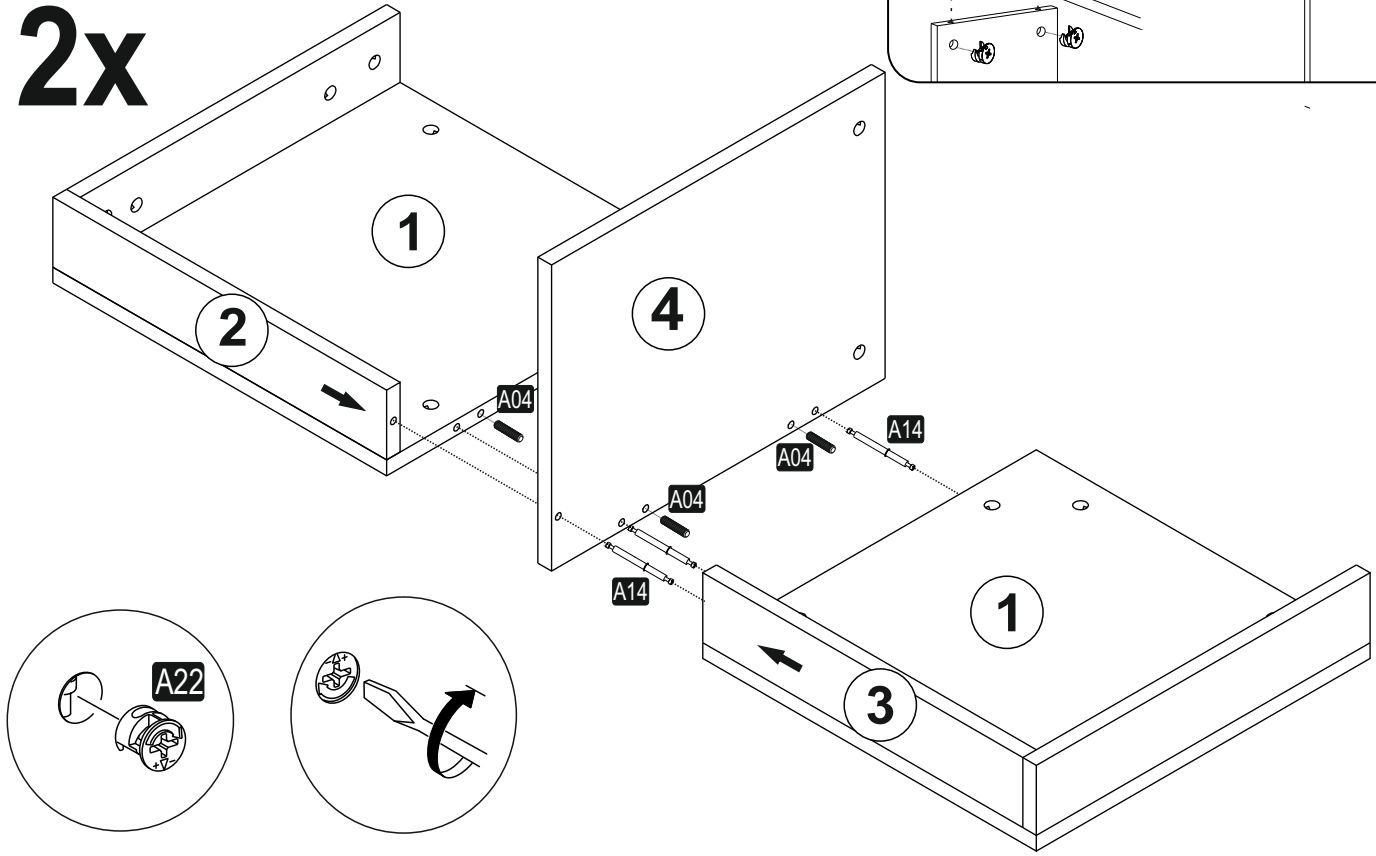
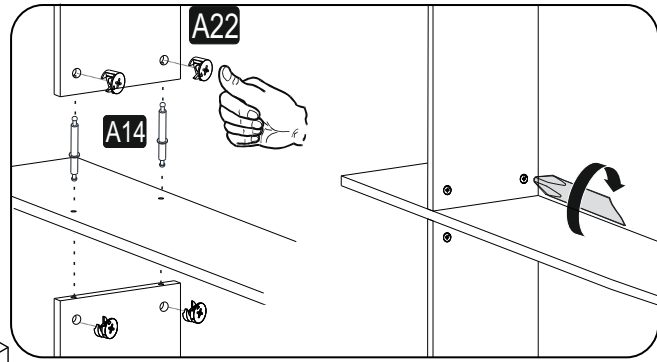


2

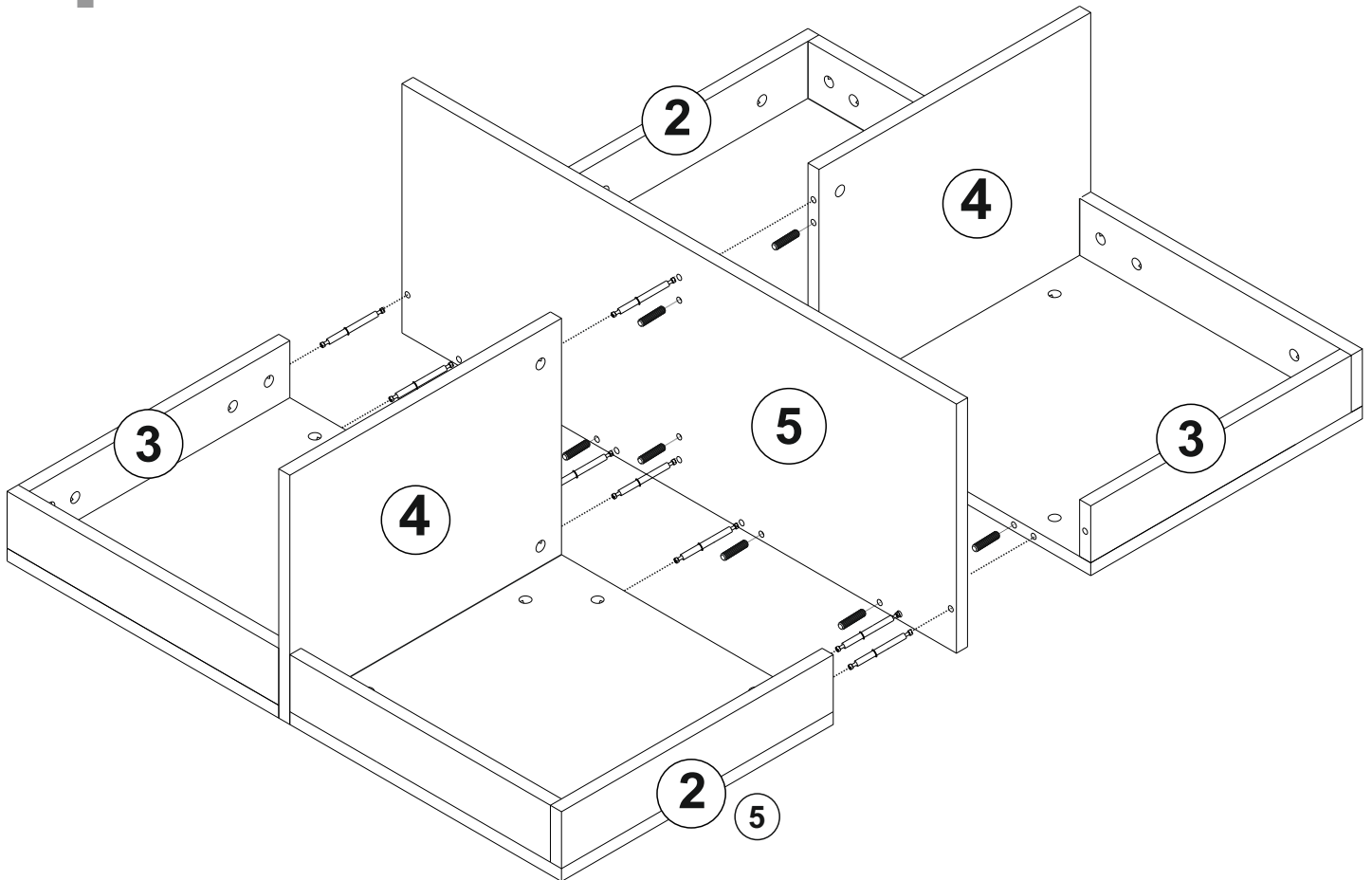


3

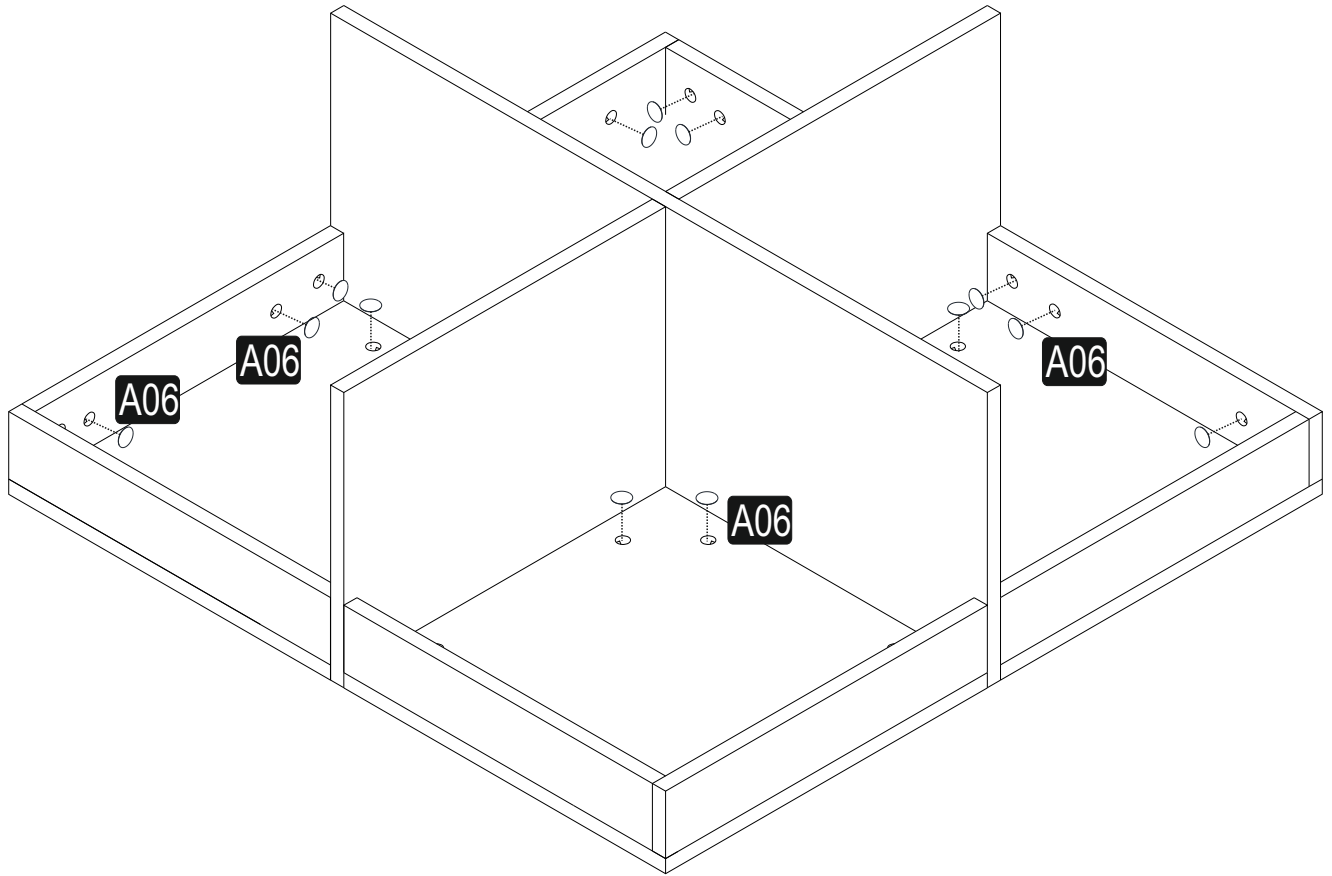
2x



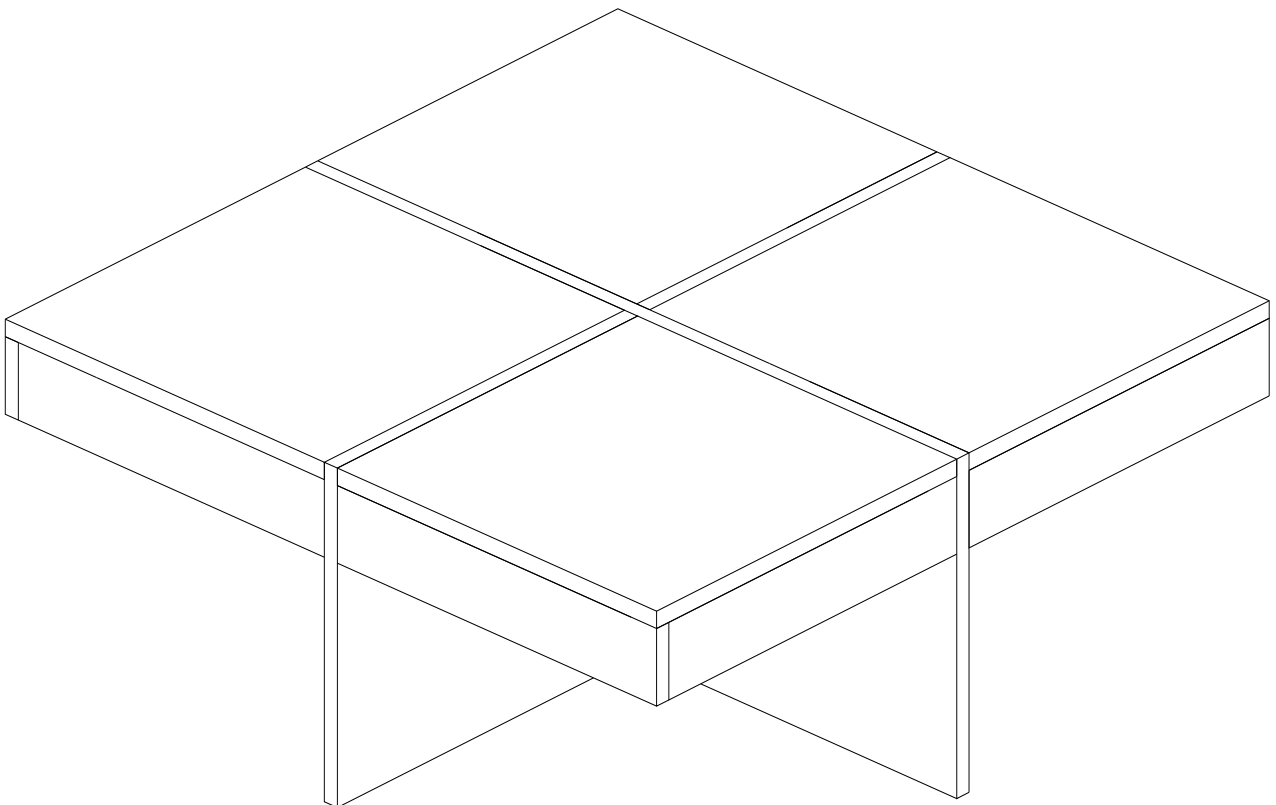
4



5



6



6