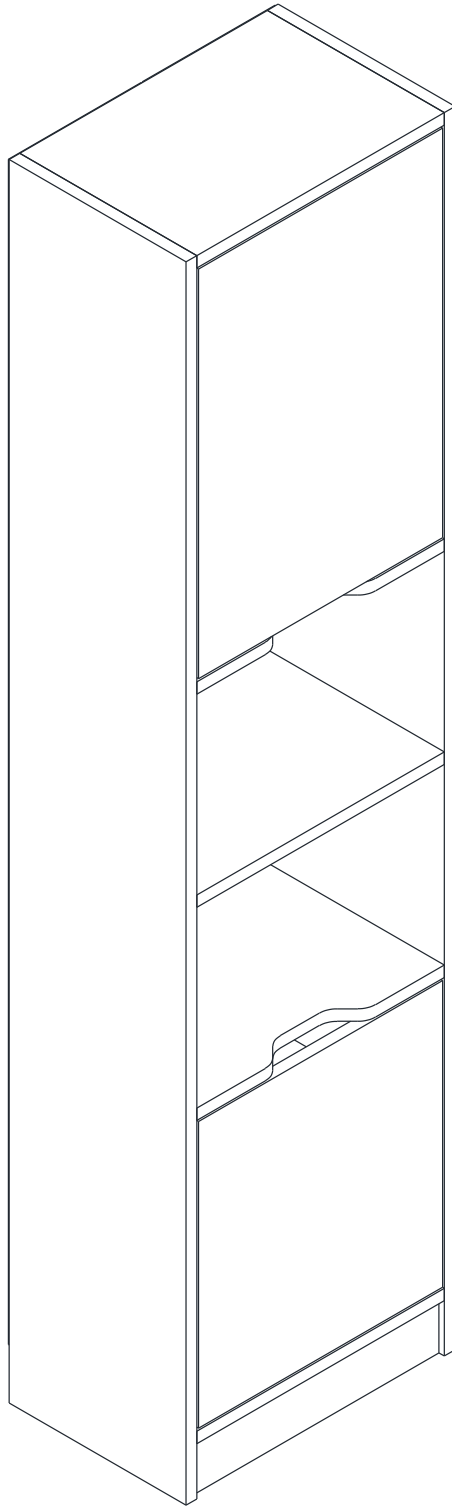


# ELİNA 2K

KITAPLIK

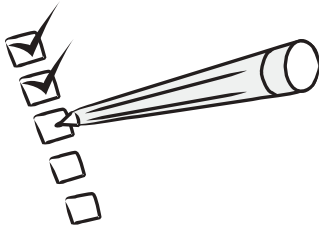
---



Dear Customer,

We design and produce our products for people to love and have fun with them as we do.

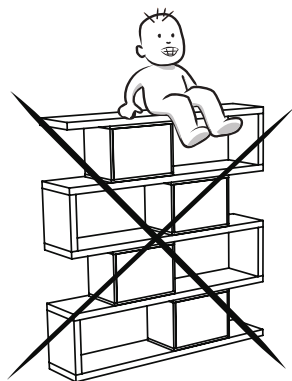
The product you bought was subjected to all sorts of tests and control before sending out to you.



Before start assembling, please check the whole components and accessories according to the lists. If you bought more than one product, to prevent confusion be sure that you completed the first product. Then start the other product's assembling.



Before start assembling, please clean all the components with a damp cloth. Also for usual cleaning, this will be enough.

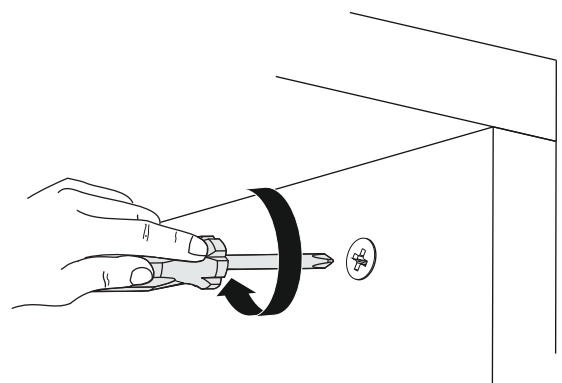
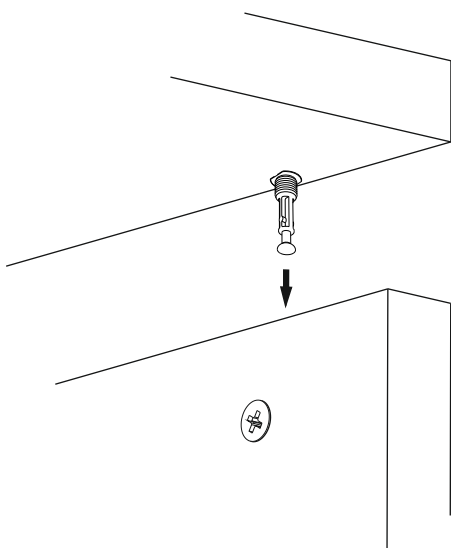
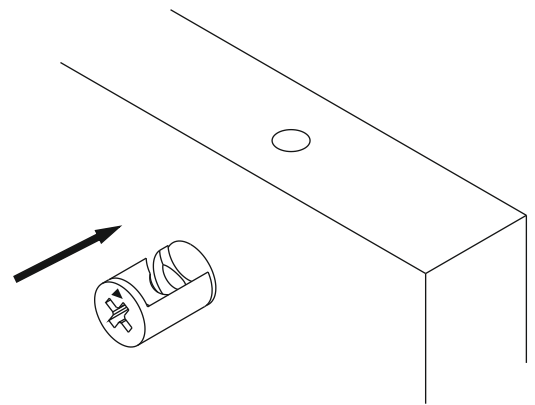
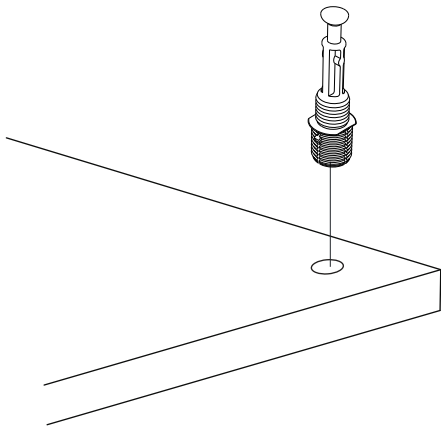
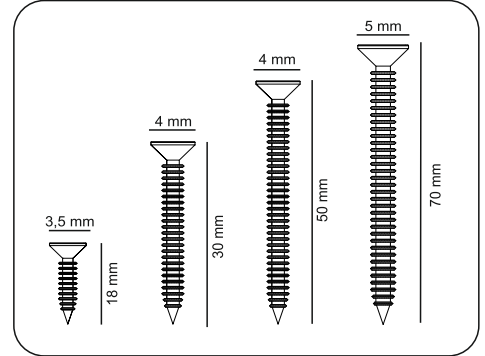
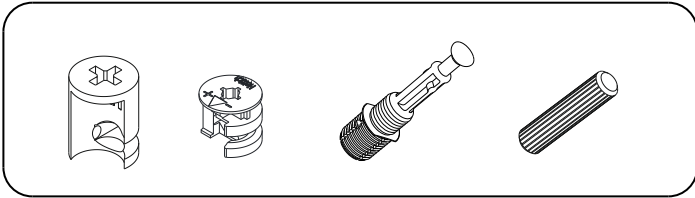


Do not use your furniture for out of purposes. If you would like to use it, please contact us for further questions.

Do not directly contact your furniture with excessive heat, cold and humidity because the product can be affected..

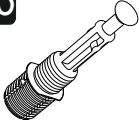
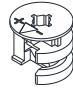
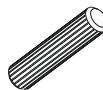

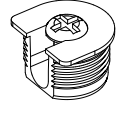
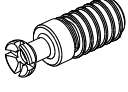
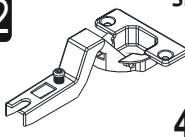
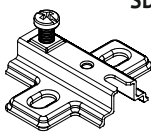
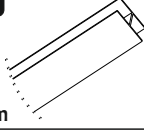
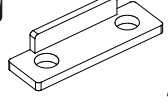


# ATTENTION !!

Minifix is the main connection material used in products. Before starting assembly, please check the drawings below.

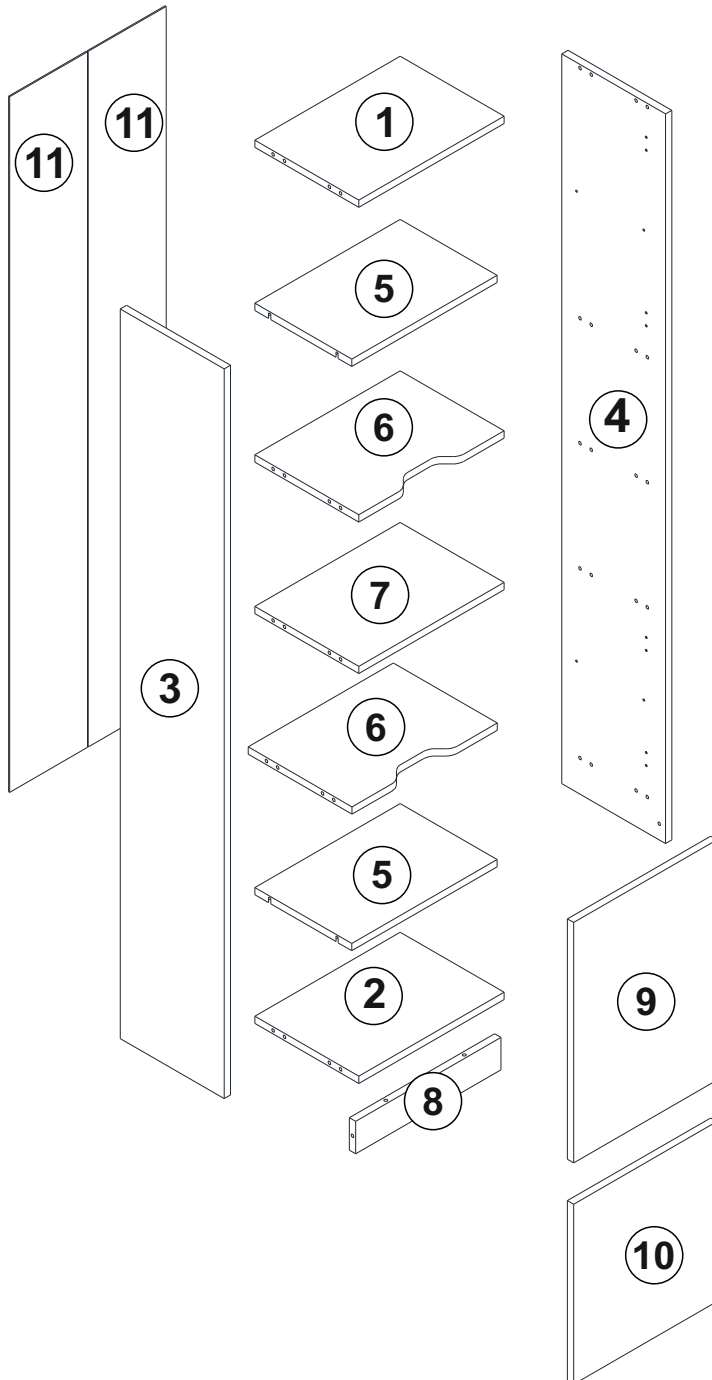


# ACCESSORY LIST

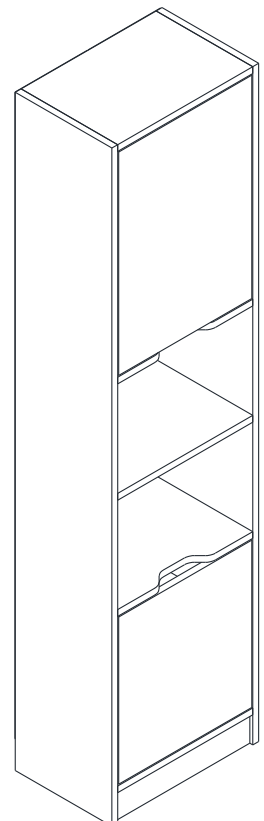
# ELİNA 2 KAPAKLI KİTAPLIK

<b>A23</b> Minifix M8  8x34 <b>22x</b>	<b>A22</b> Minifix G18  15x14 <b>22x</b>	<b>A04</b> PLSTK KVLV  8x30 <b>22x</b>	<b>A18</b> YHB VD  3,5x18 <b>20x</b>	<b>H18</b> KLT RfIX  MESAN 20x14 <b>8x</b>
<b>H19</b> RfIX VD  MESAN 5x13 <b>8x</b>	<b>C02</b> SDM  <b>4x</b>	<b>C06</b> SD MA  <b>4x</b>	<b>A64</b> H ARKLK CTS  1682 mm <b>1x</b>	<b>A60</b> KPK STPR  BYZ <b>2x</b>
<b>A48</b> ARKLK CVS  <b>24x</b>	<b>A06</b> 18 mm DORE  <b>18x</b>			

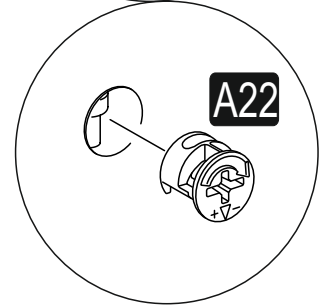
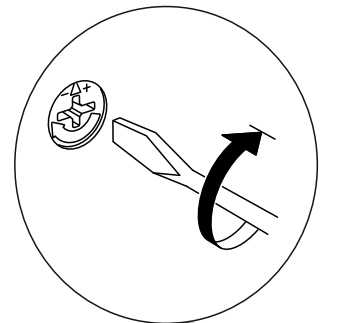
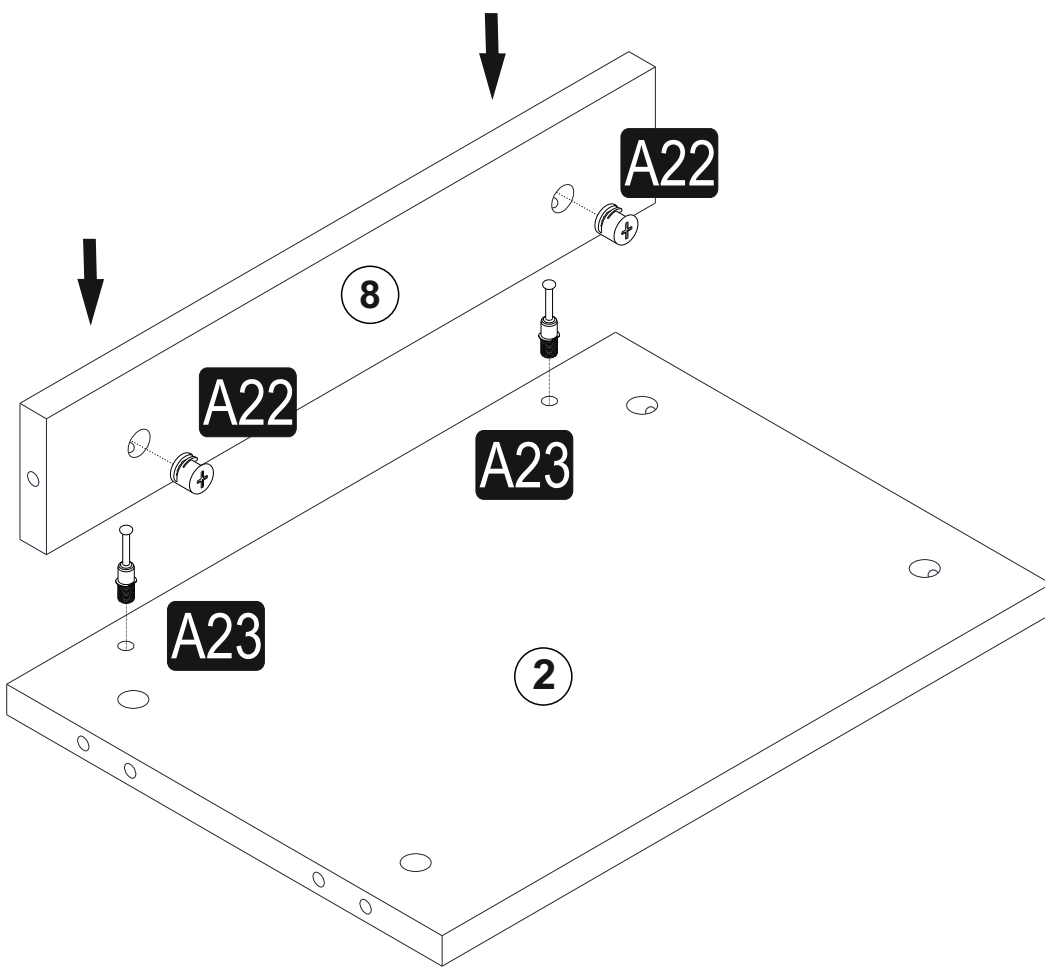
## GENERAL VIEW



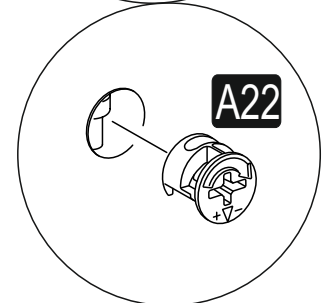
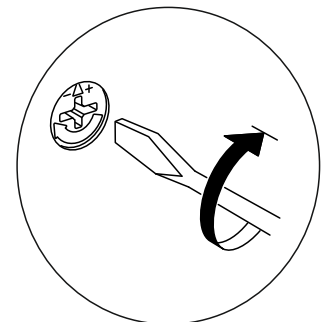
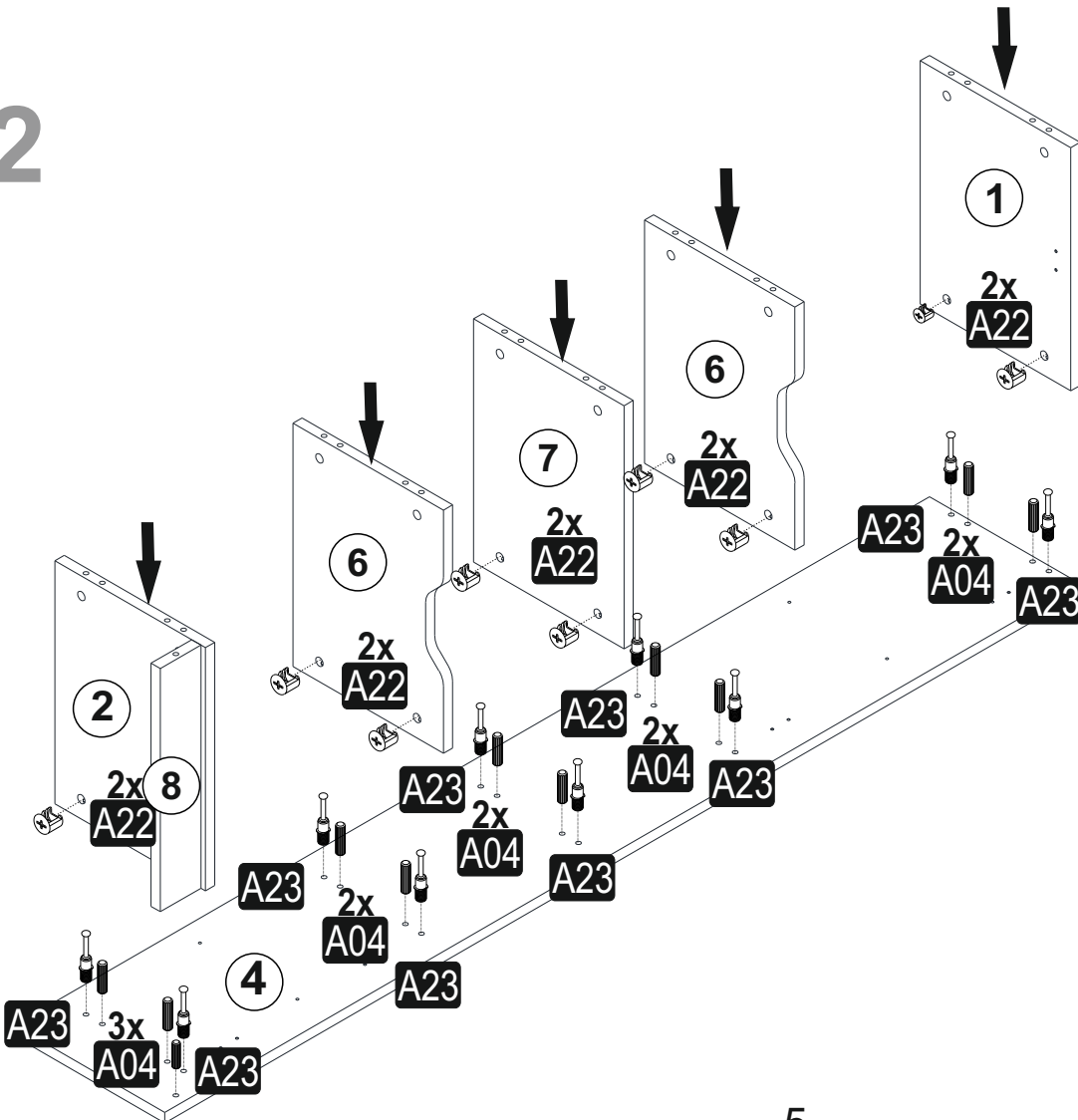
.01	1	414	296	18
.02	1	414	296	18
.03	1	1800	296	18
.04	1	1800	296	18
.05	2	414	276	18
.06	2	414	296	18
.07	1	414	296	18
.08	1	414	80	18
.09	1	593	408	18
.10	1	444	408	18
.11	2	1716	222	3



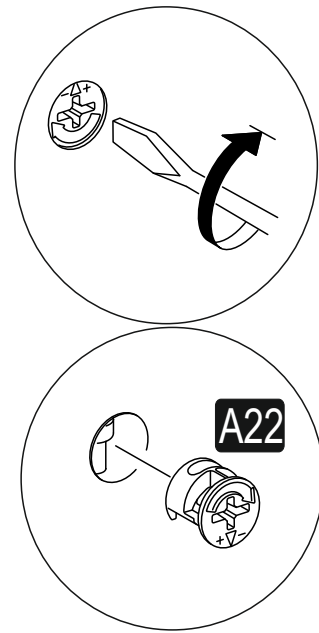
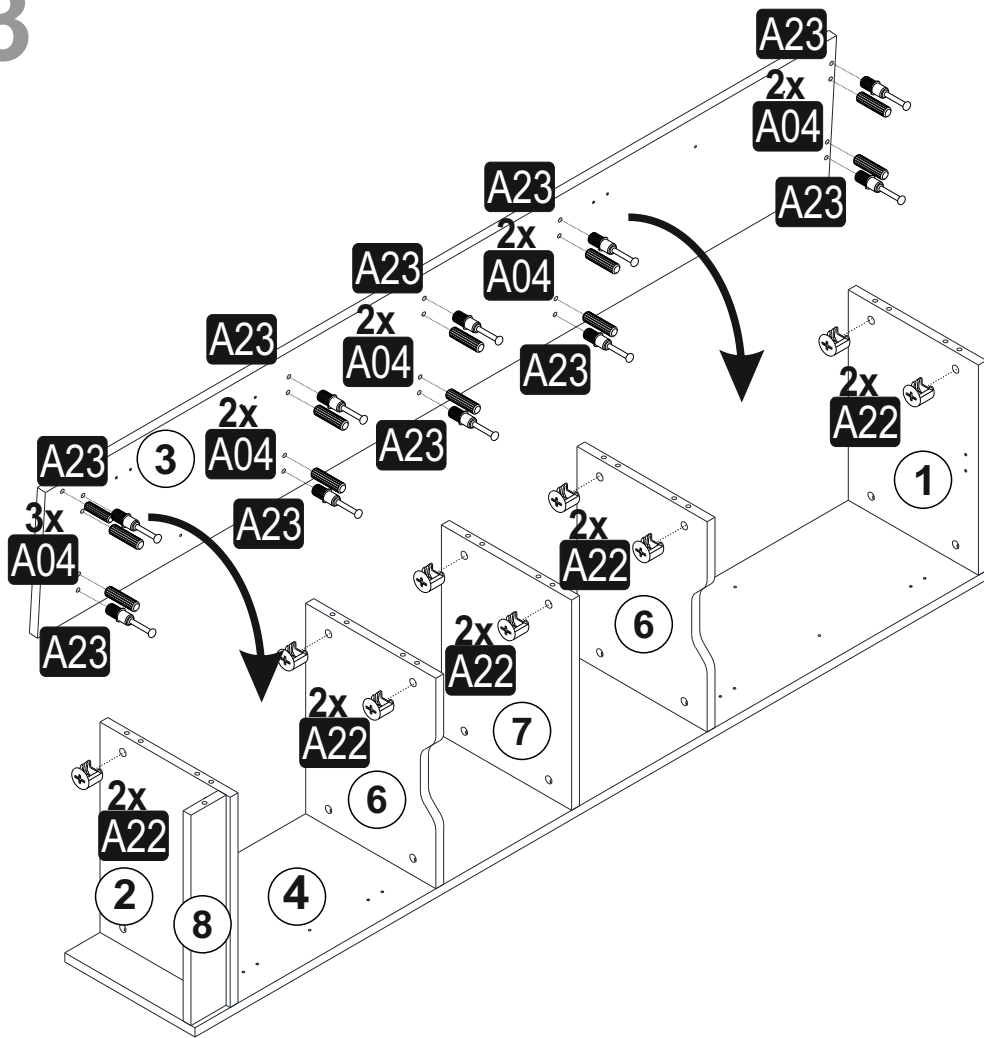
1



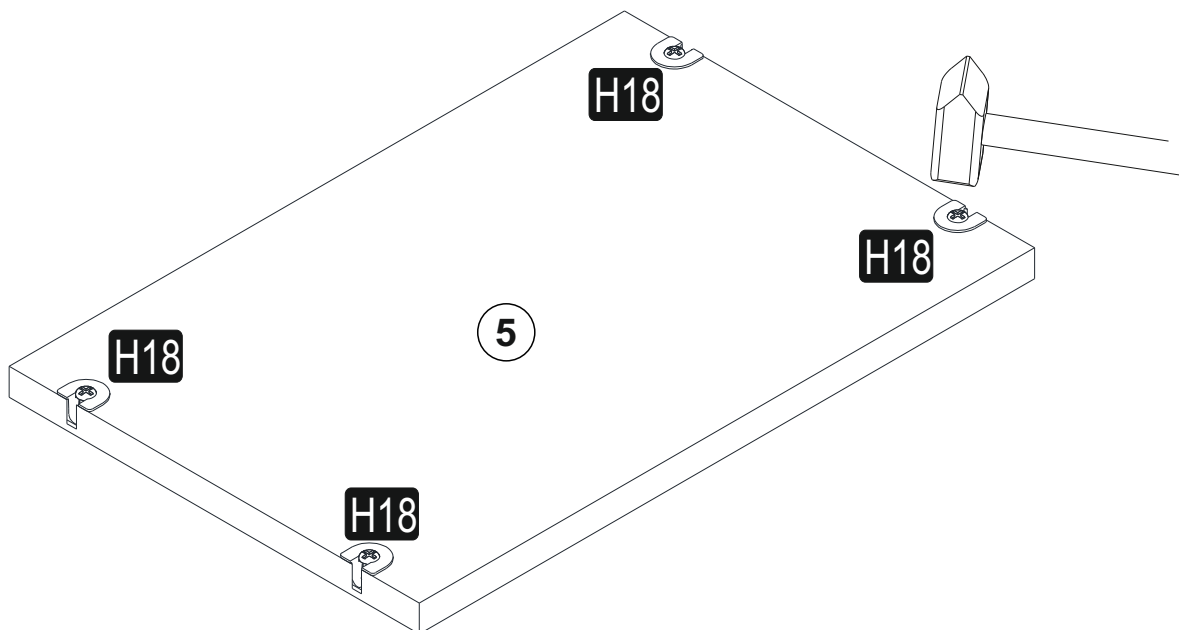
2



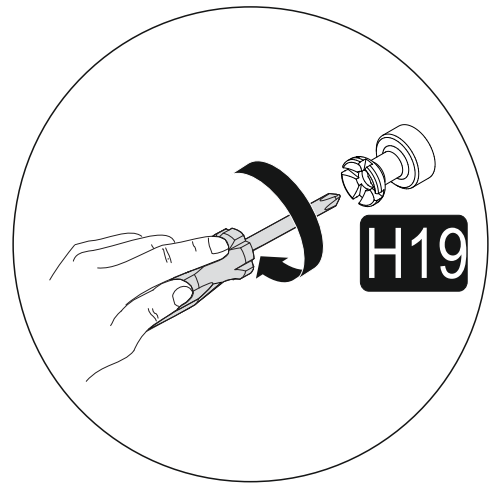
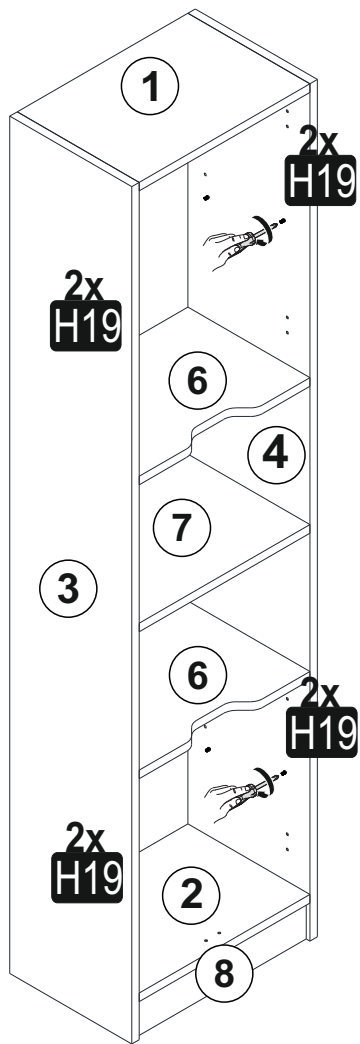
3



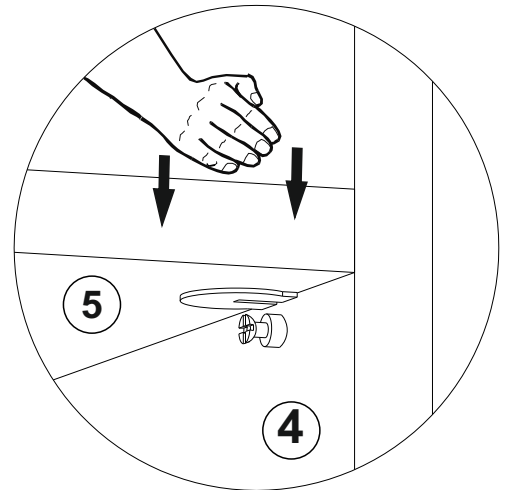
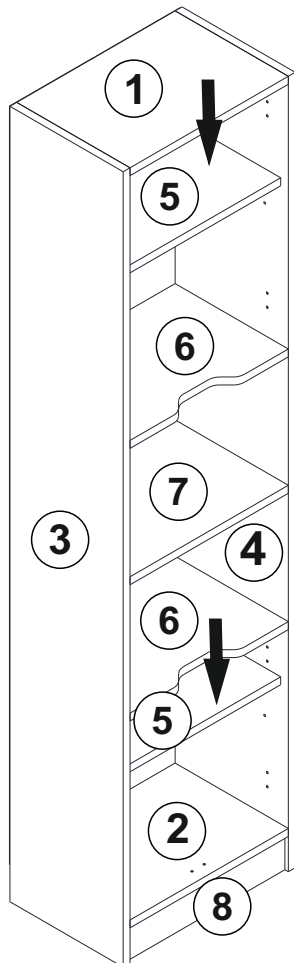
4



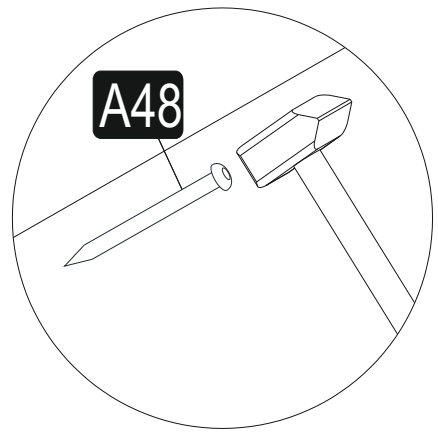
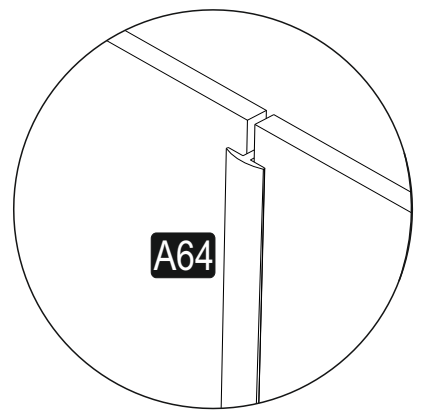
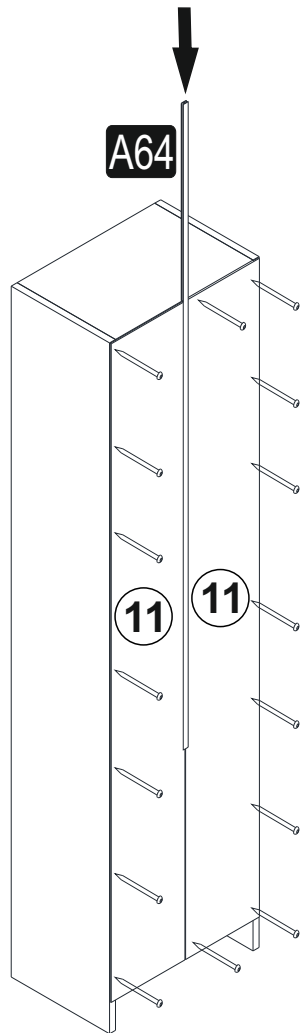
5



6

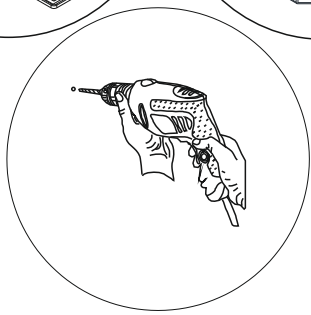
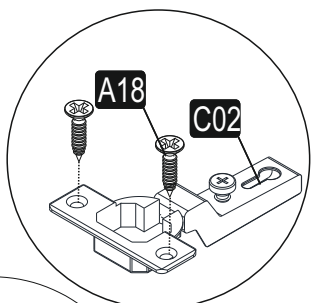
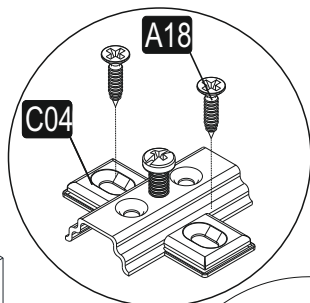
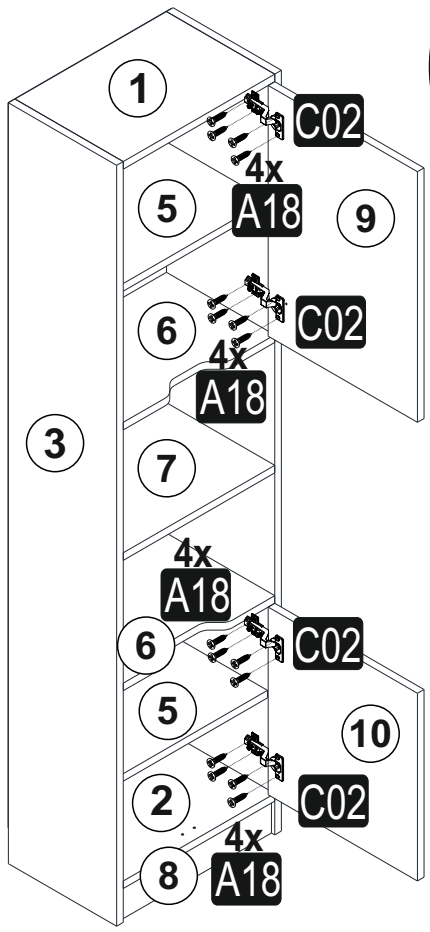


7

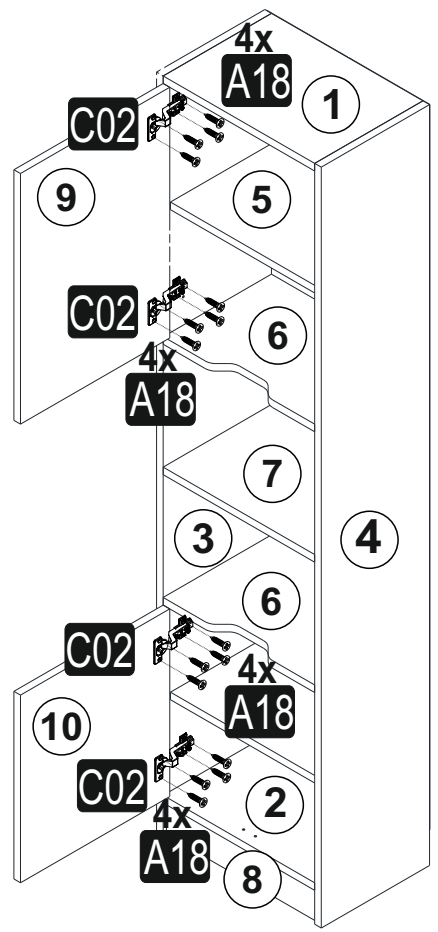


8

V1

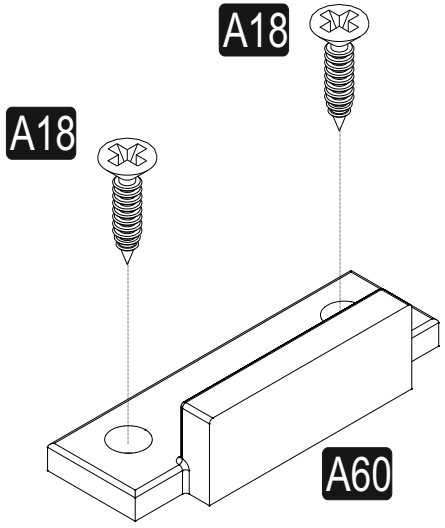
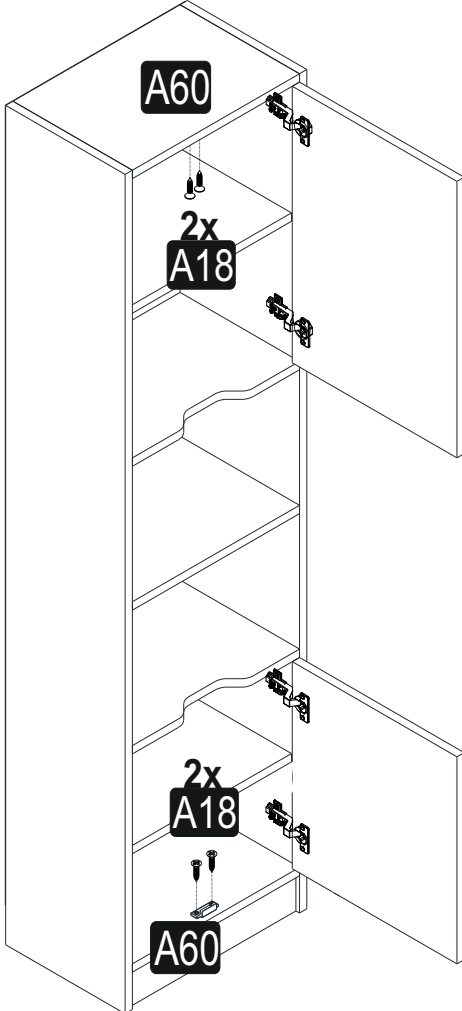


V2





9



10