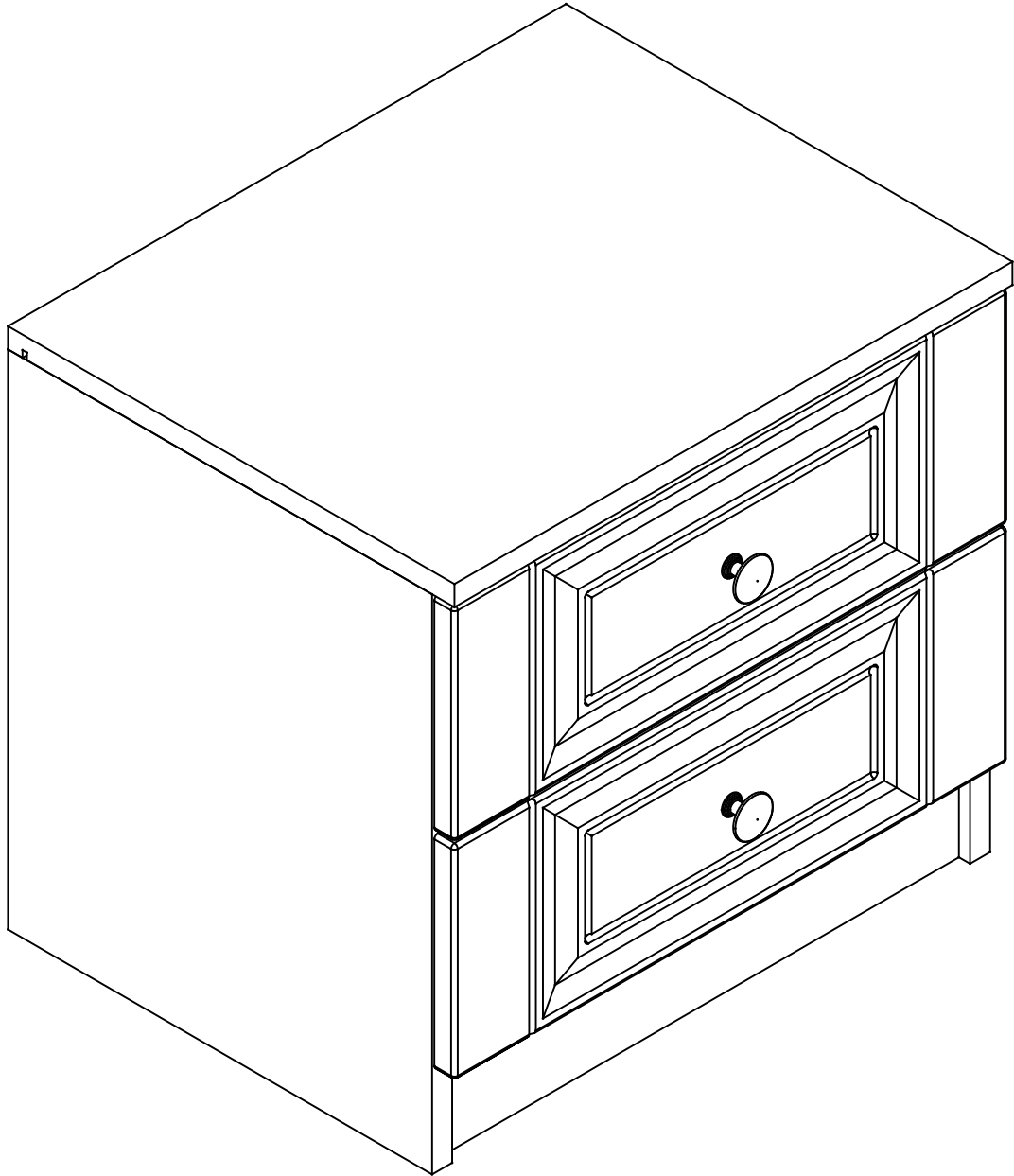


KALE 2Ç

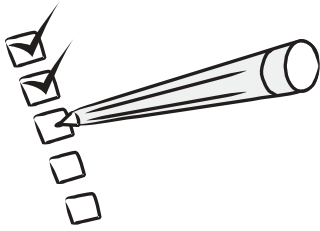
KOMODIN MEBRAN



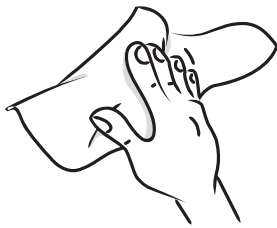
Dear Customer,

We design and produce our products for people to love and have fun with them as we do.

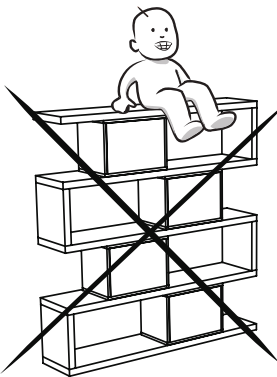
The product you bought was subjected to all sorts of tests and control before sending out to you.



Before start assembling, please check the whole components and accessories according to the lists. If you bought more than one product, to prevent confusion be sure that you completed the first product. Then start the other product's assembling.



Before start assembling, please clean all the components with a damp cloth. Also for usual cleaning, this will be enough.

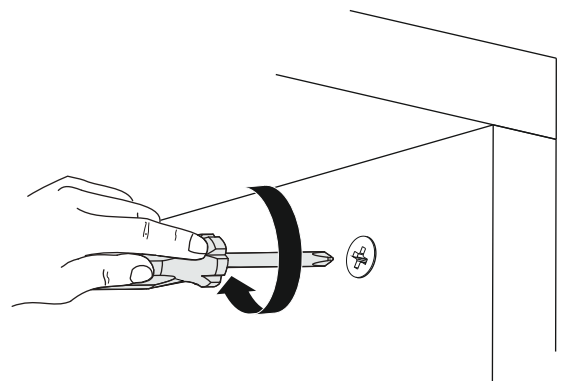
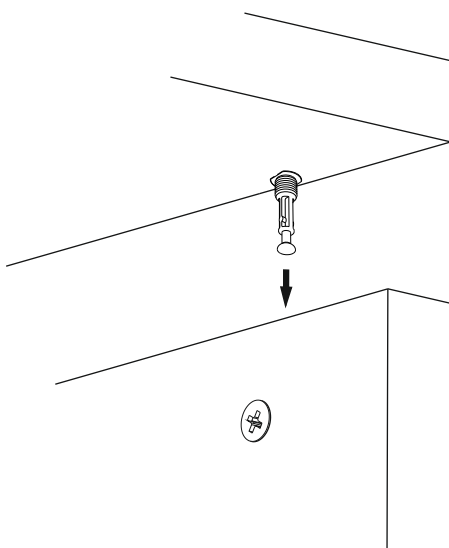
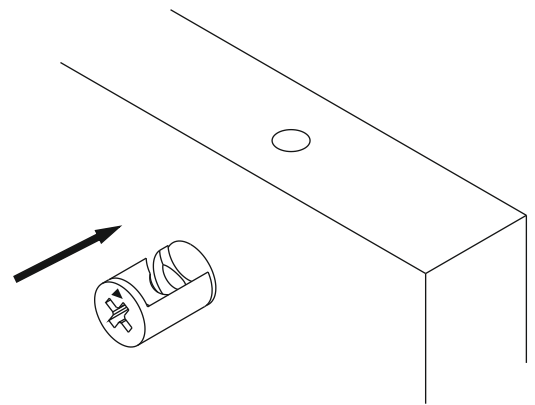
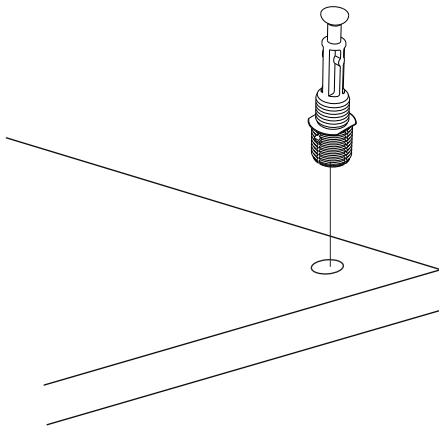
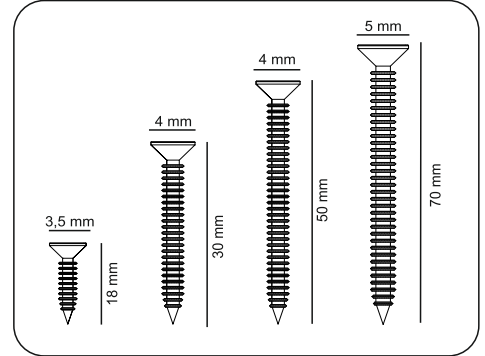
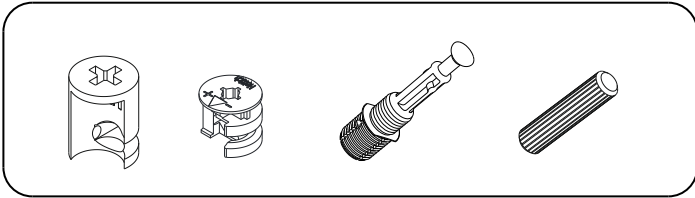


Do not use your furniture for out of purposes. If you would like to use it, please contact us for further questions.

Do not directly contact your furniture with excessive heat, cold and humidity because the product can be affected..

ATTENTION !!

Minifix is the main connection material used in products. Before starting assembly, please check the drawings below.

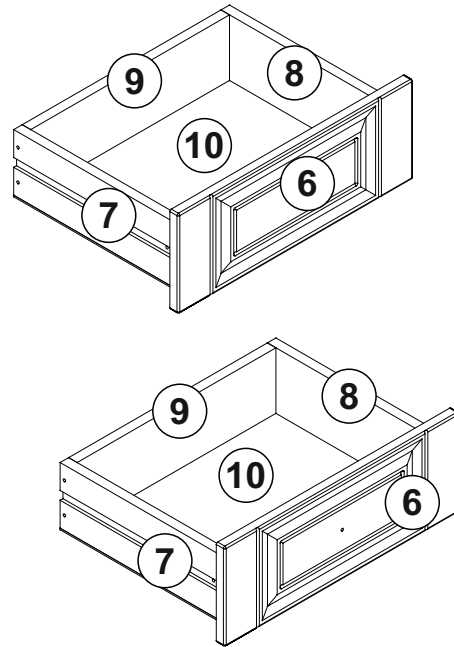
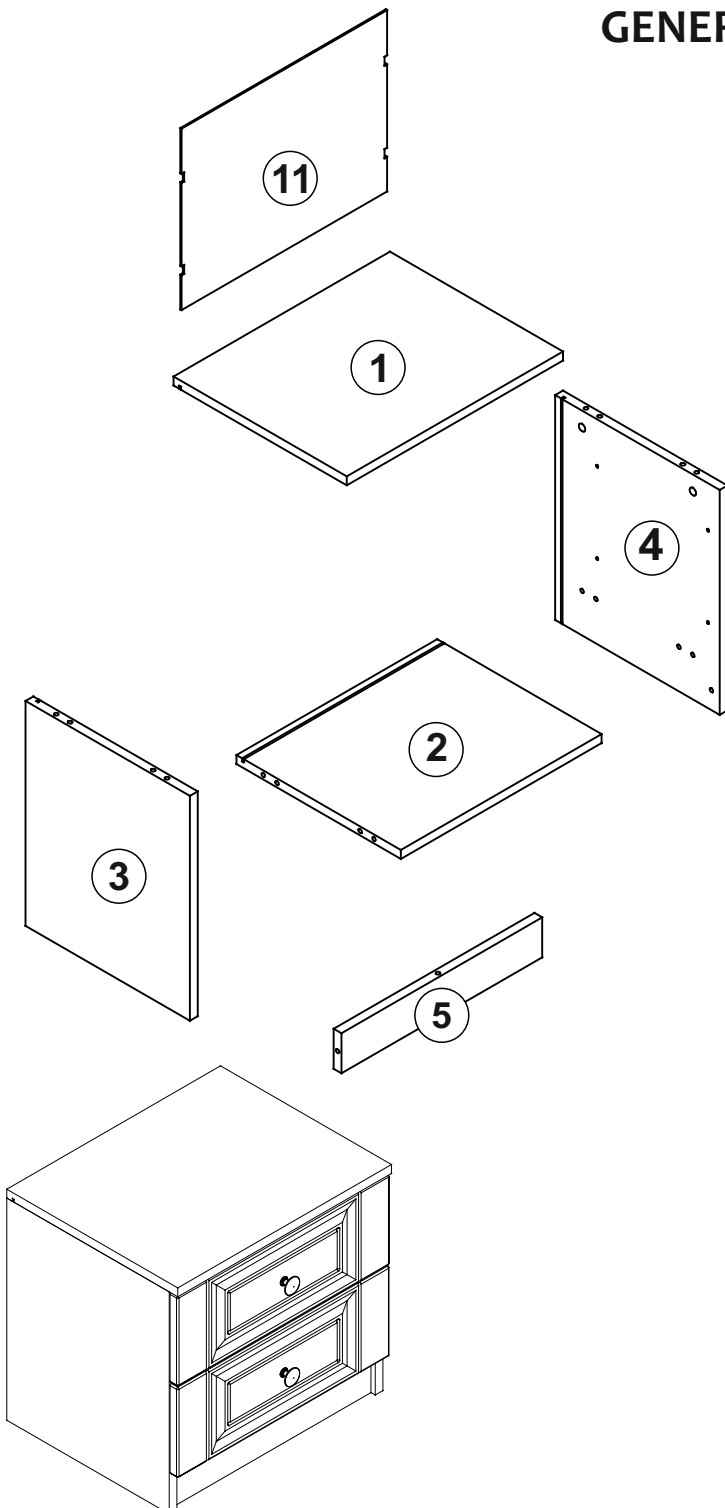


ACCESSORY LIST

KALE MEBRAN 2Ç KOMODİN

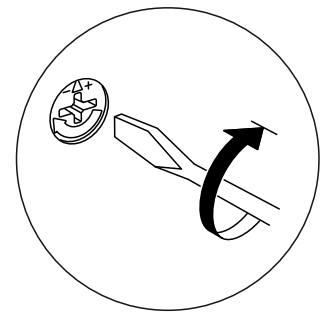
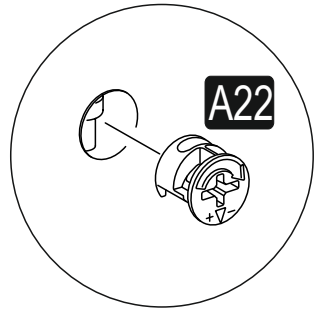
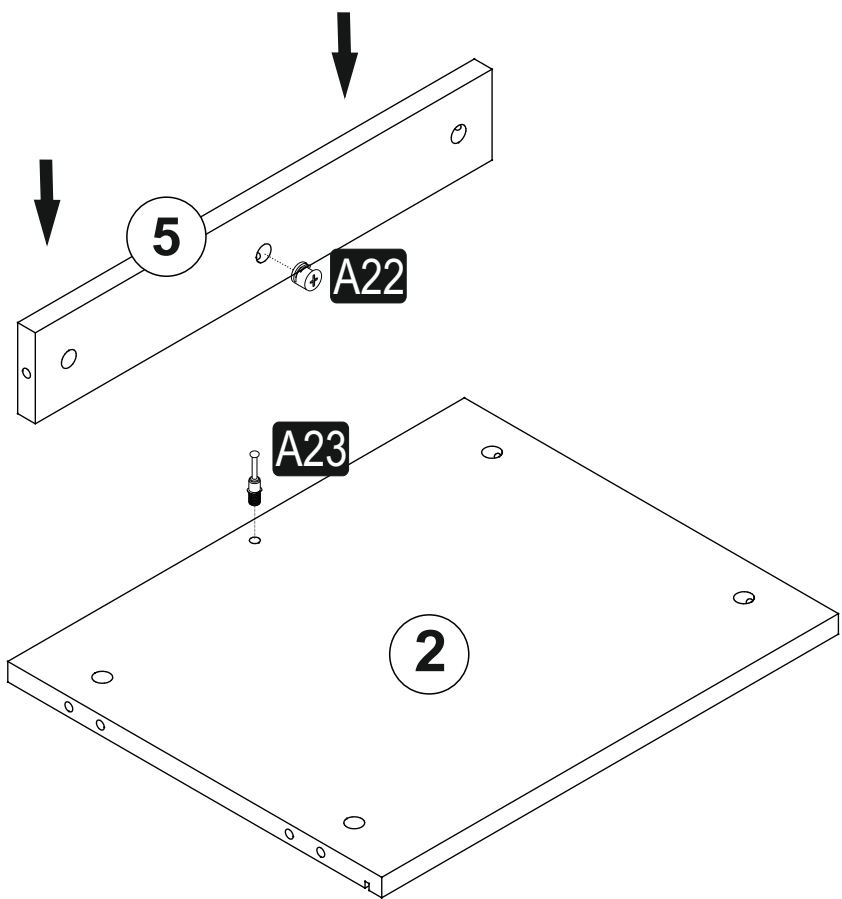
A23 Minifix M8 8x34 19x	A22 Minifix G18 15x14 19x	A04 KVLV 8x30 8x	R04 BLY RAY 17x342 2x	A17 4x50 8x
A49 KLPVD 4x22 2x	A18 3,5x18 20x	A06 18 mm BYZ 19x	A48 ARCLK CVS 20x	A94 MTRK VD 4x15 4x
K08 DKLP SYH 2x	A25 ARCLK PM 12x			

GENERAL VIEW

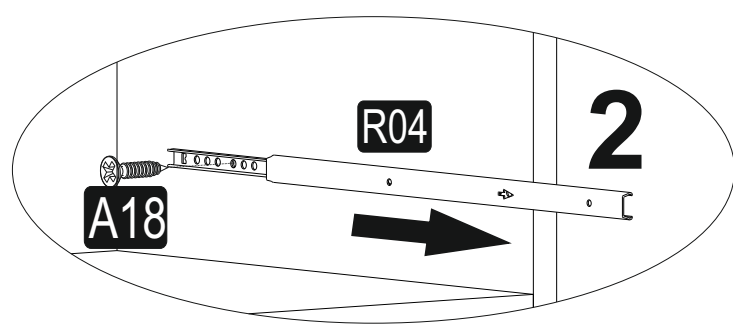
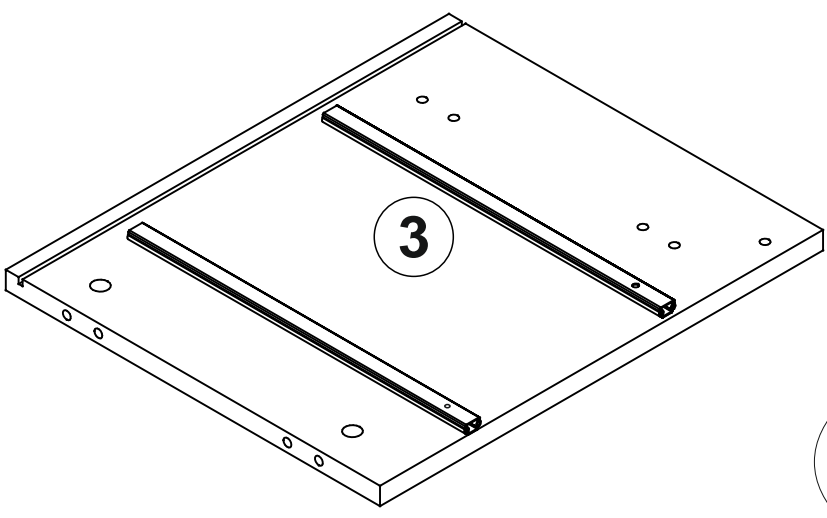
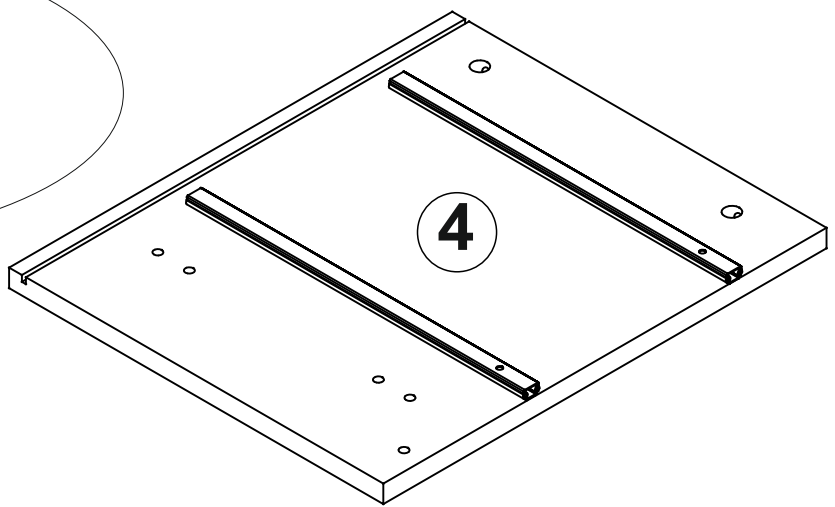
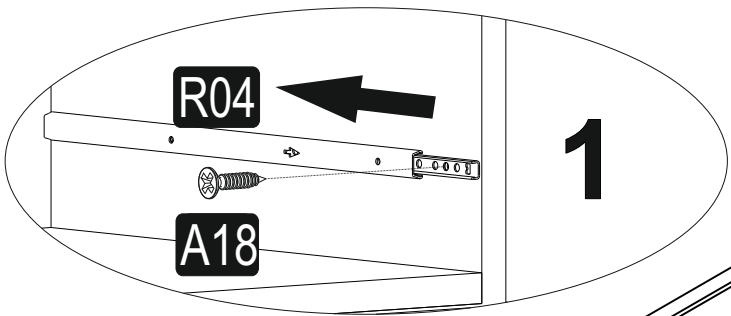


.01	1	500	400	18
.02	1	464	380	18
.03	1	450	380	18
.04	1	450	380	18
.05	1	464	80	18
.06	2	496	182	18
.07	2	350	120	18
.08	2	350	120	18
.09	2	420	120	18
.10	2	456	356	3
.11	1	475	363	3

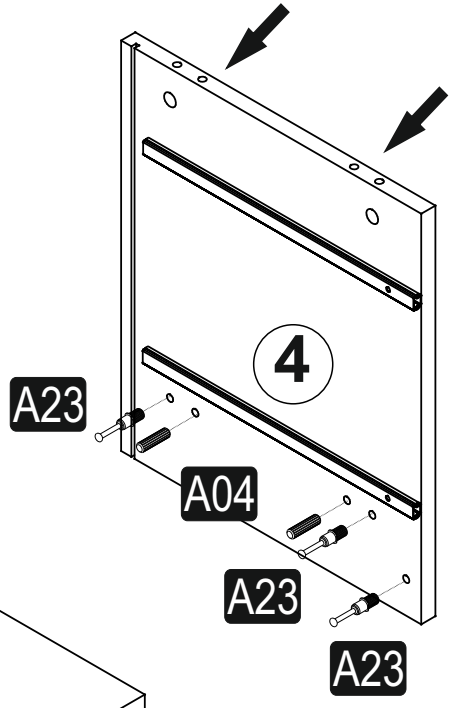
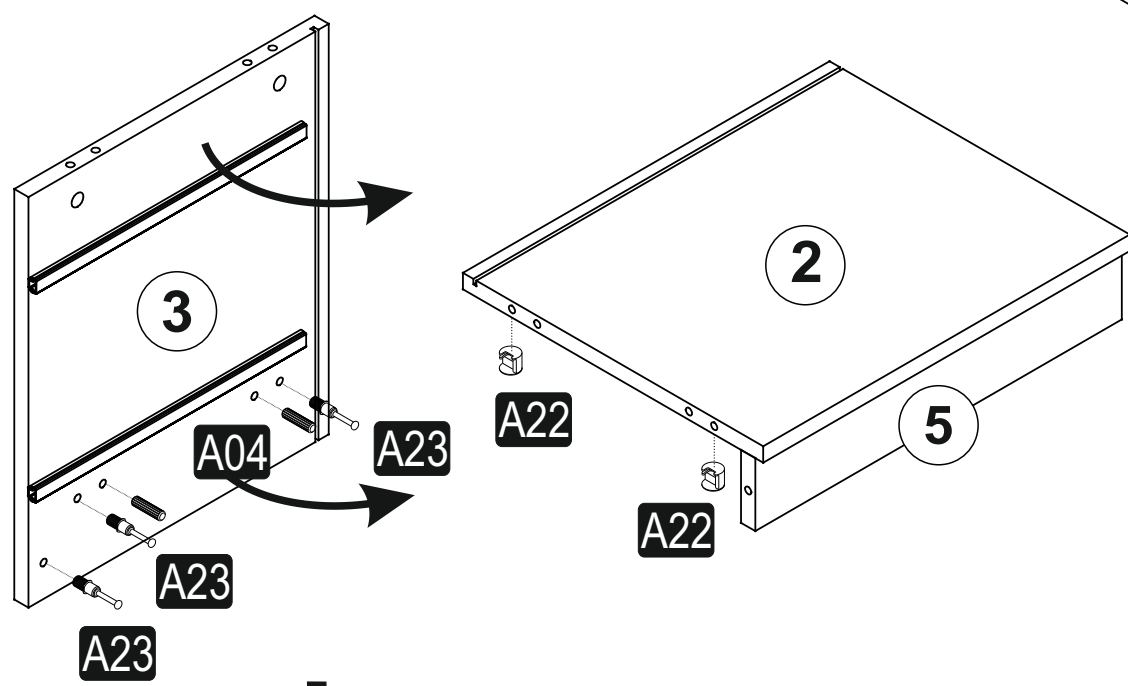
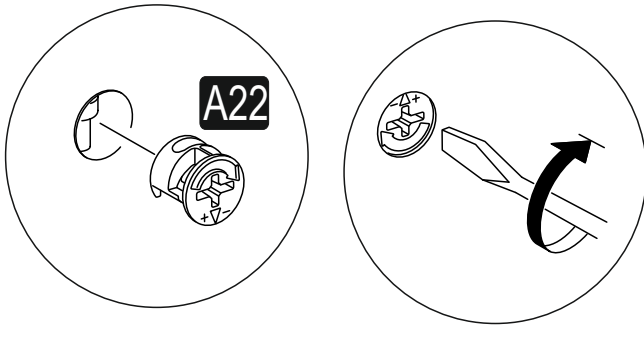
1



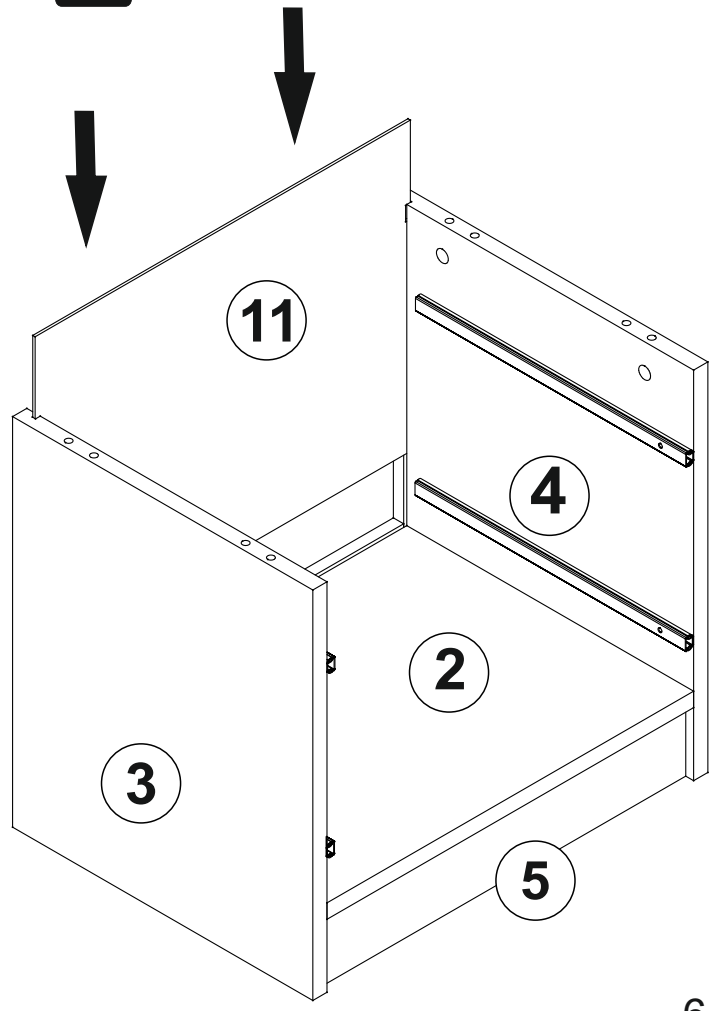
2



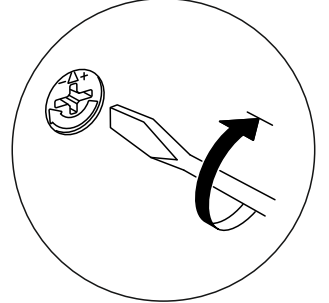
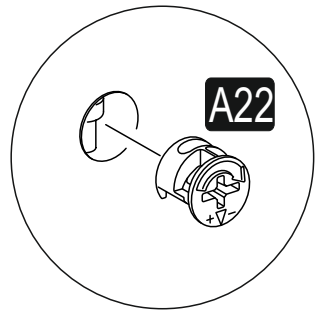
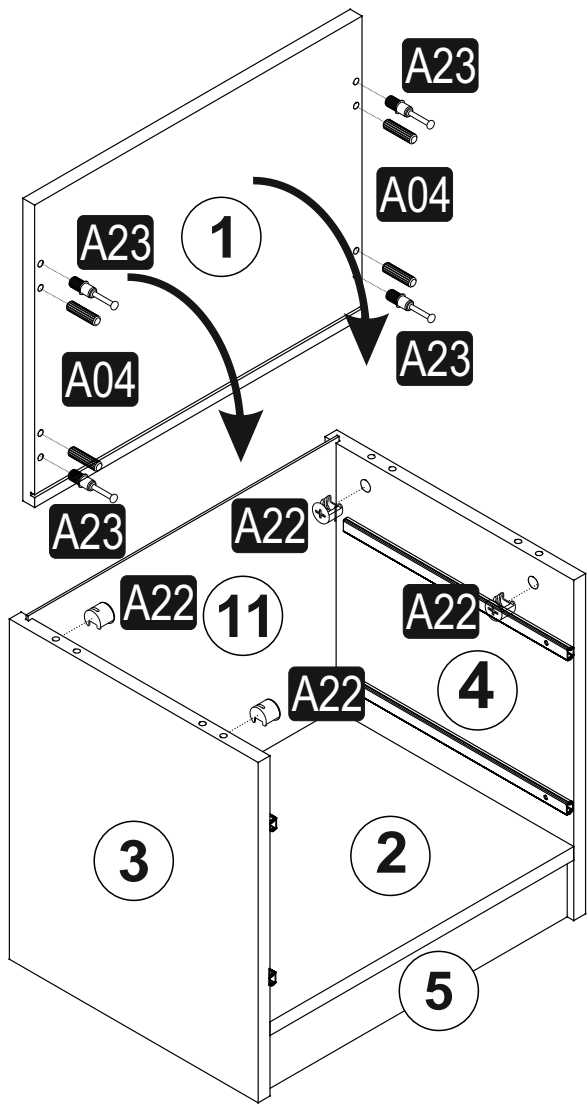
3



4



5



6

