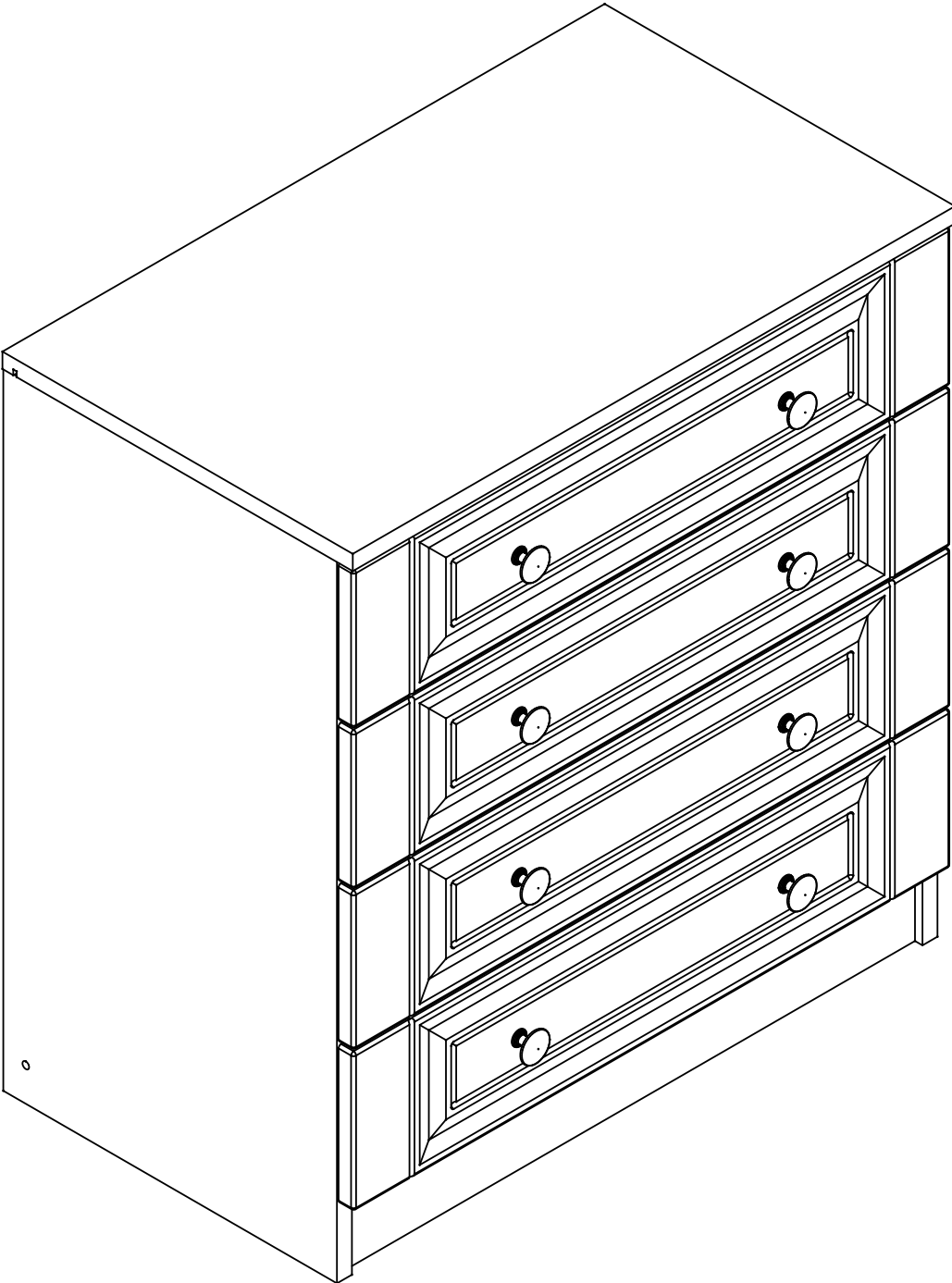


KALE

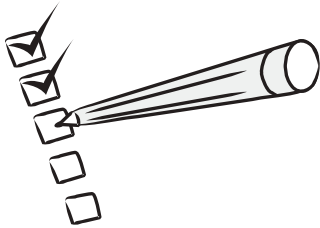
SIFONYER MEBRAN



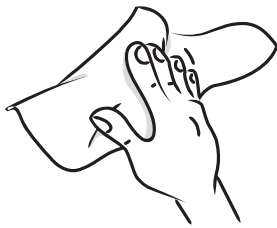
Dear Customer,

We design and produce our products for people to love and have fun with them as we do.

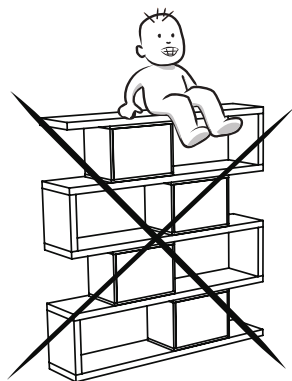
The product you bought was subjected to all sorts of tests and control before sending out to you.



Before start assembling, please check the whole components and accessories according to the lists. If you bought more than one product, to prevent confusion be sure that you completed the first product. Then start the other product's assembling.



Before start assembling, please clean all the components with a damp cloth. Also for usual cleaning, this will be enough.

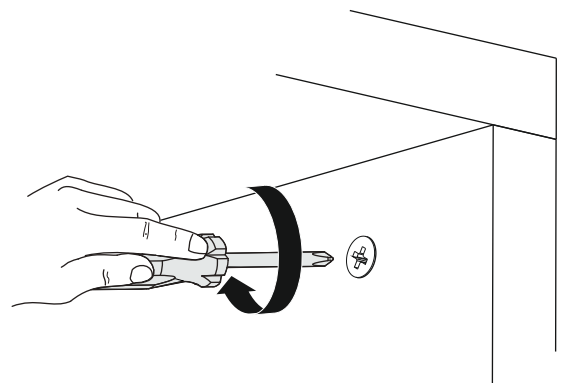
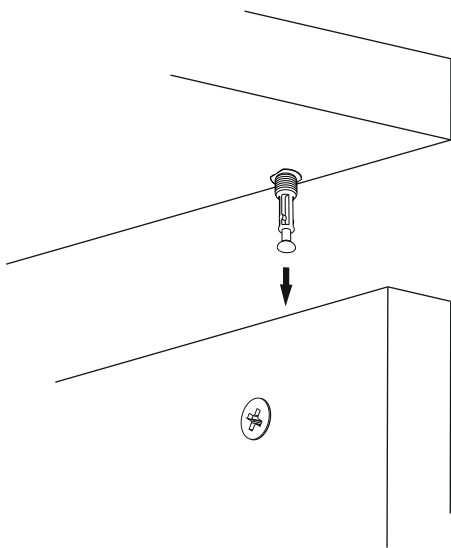
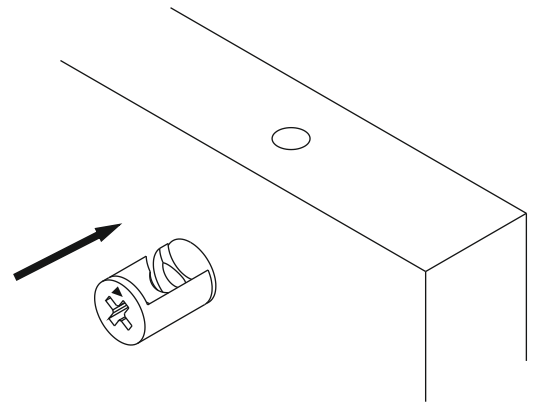
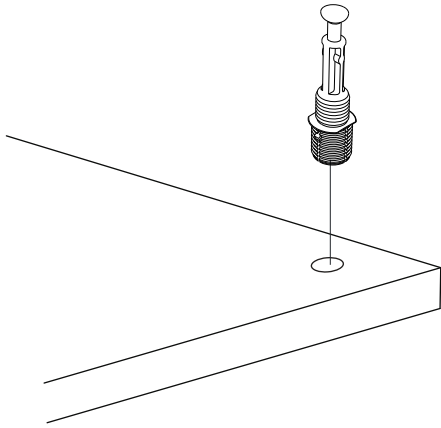
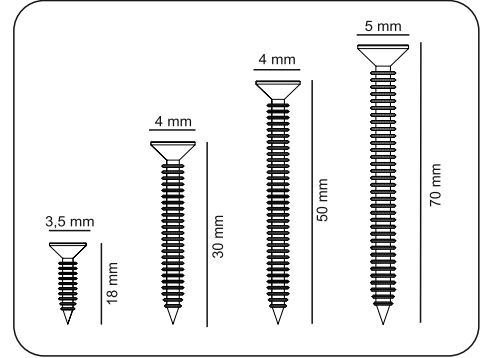
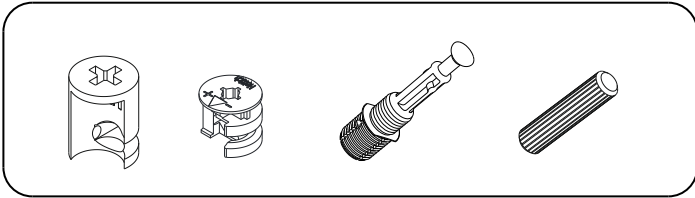


Do not use your furniture for out of purposes. If you would like to use it, please contact us for further questions.

Do not directly contact your furniture with excessive heat, cold and humidity because the product can be affected..

ATTENTION !!

Minifix is the main connection material used in products. Before starting assembly, please check the drawings below.



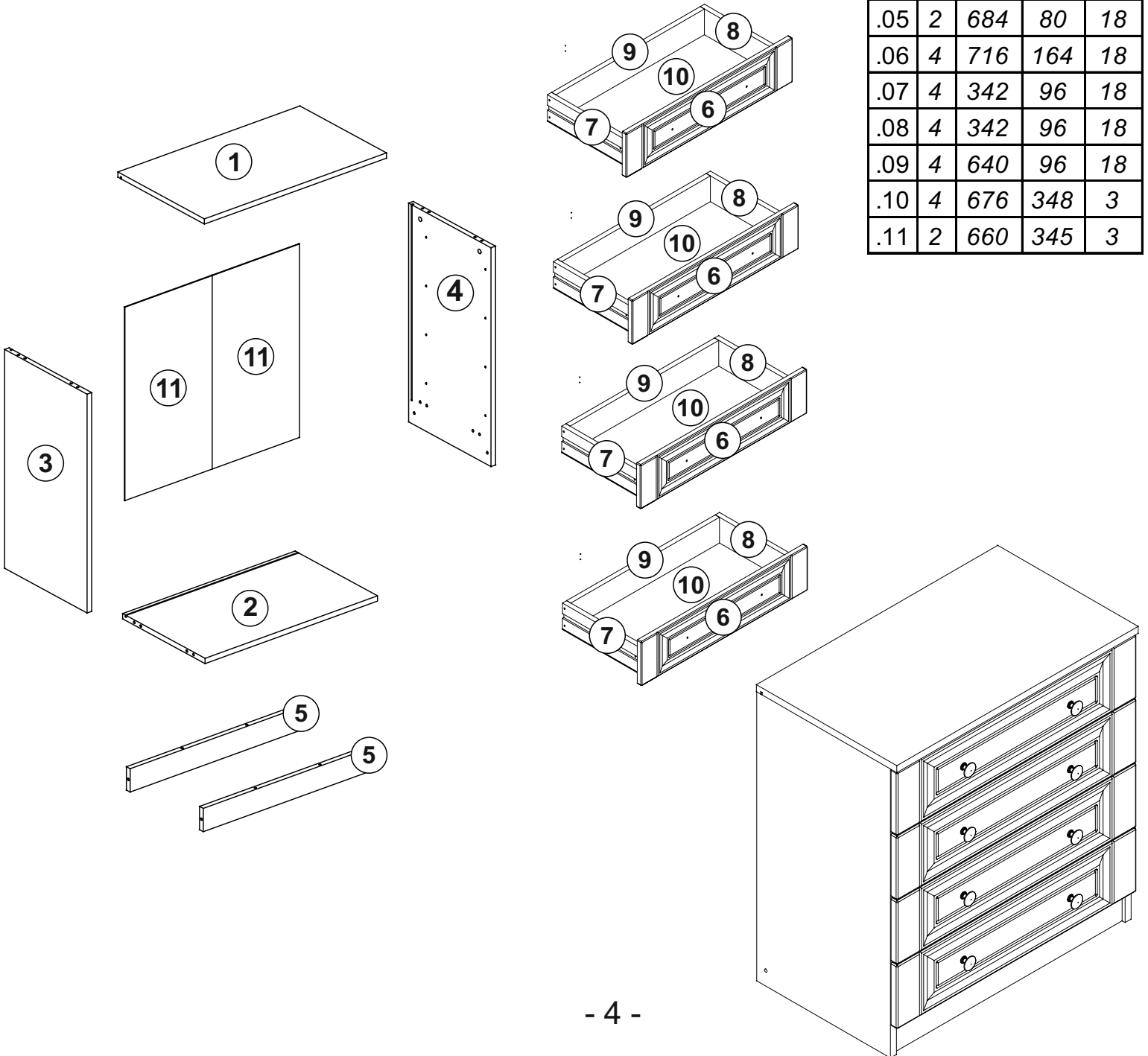
ACCESSORY LIST

KALE MEBRAN ŞİFONYER

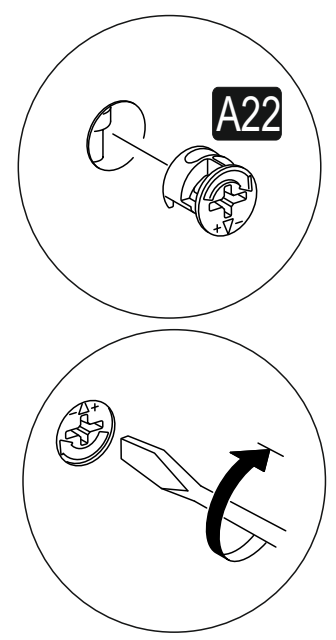
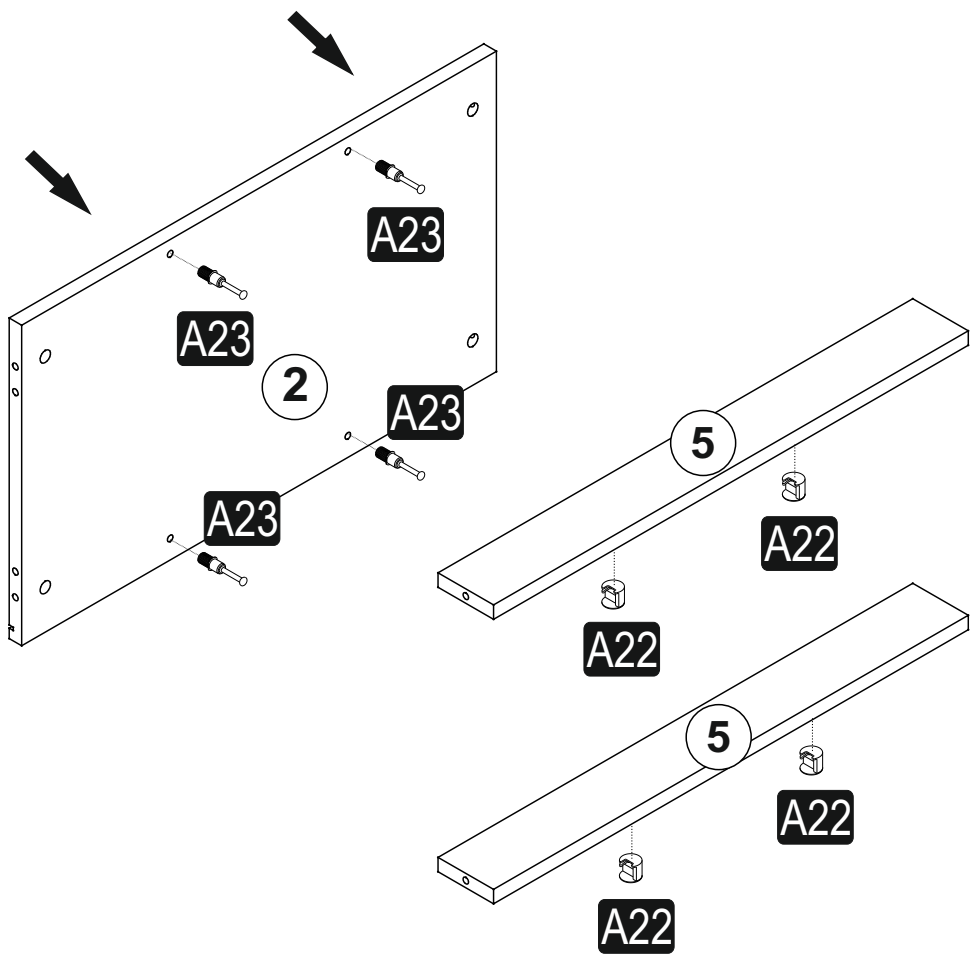
A23 Minifix M8 8x34 32x	A22 Minifix G18 15x14 32x	A04 KVLVY 8x30 8x	A25 ARKLK PM 20x	R04 BLY RAY 17x342 4x
V30 MTRK VD 4x15 8x	A18 3,5x18 36x	A17 4x50 16x	A06 18 mm 32x	A48 ARKLK CVS 56x
A64 H ARKLIK CTS 650 mm 1x	K08 DKLP 8x	A49 KLPVD 4x22 8x		

GENERAL VIEW

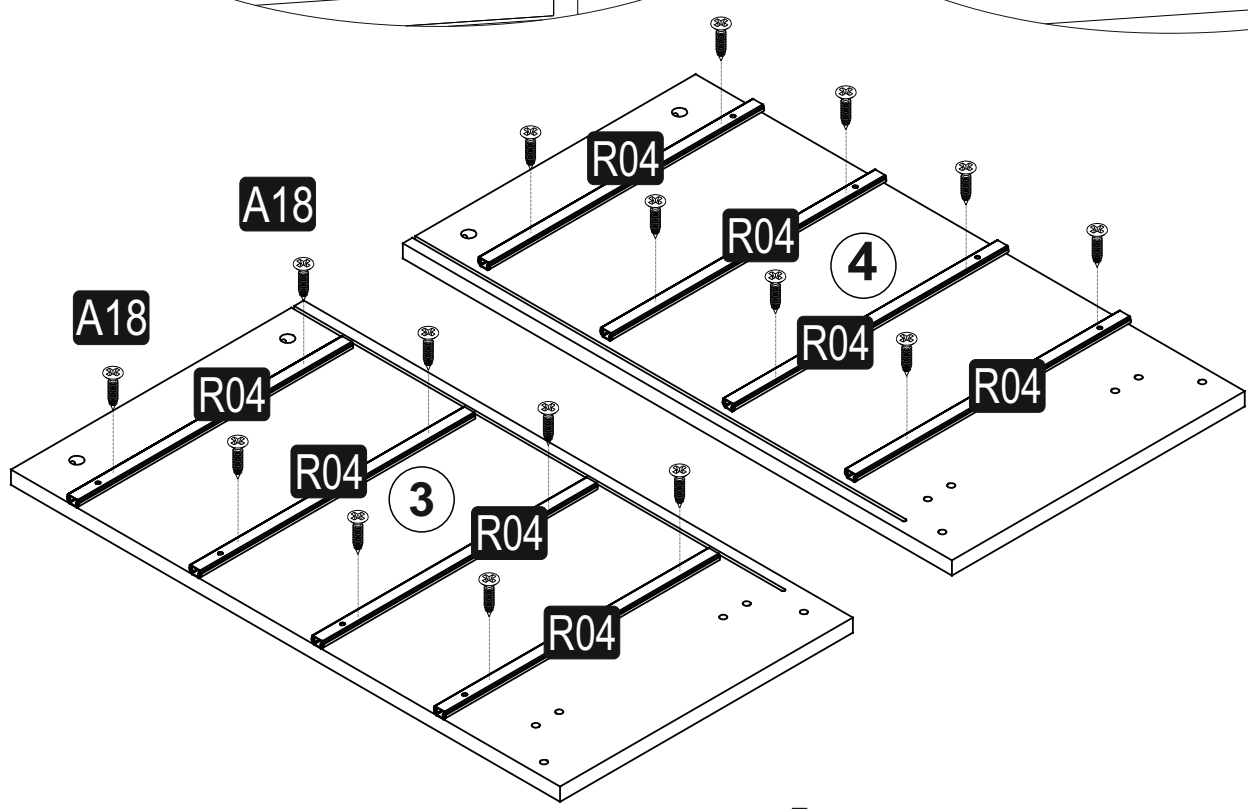
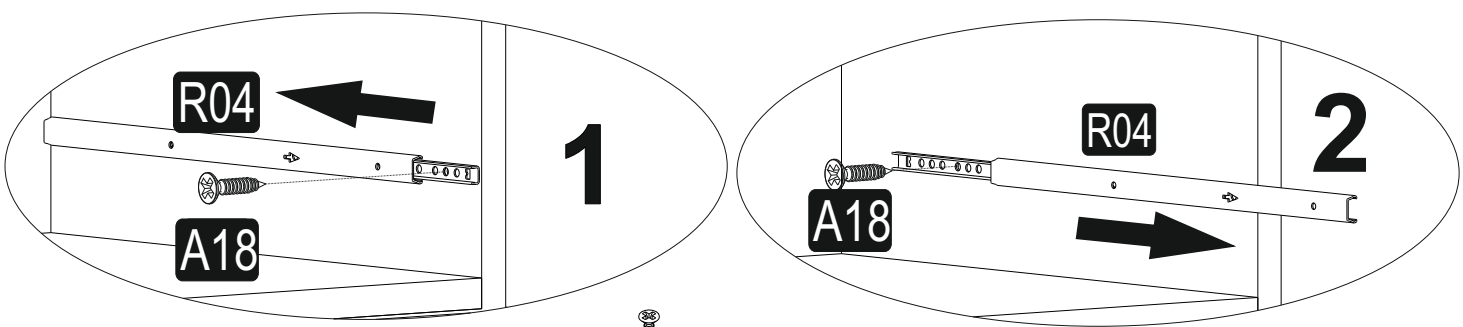
.01	1	722	420	18
.02	1	684	400	18
.03	1	750	400	18
.04	1	750	400	18
.05	2	684	80	18
.06	4	716	164	18
.07	4	342	96	18
.08	4	342	96	18
.09	4	640	96	18
.10	4	676	348	3
.11	2	660	345	3



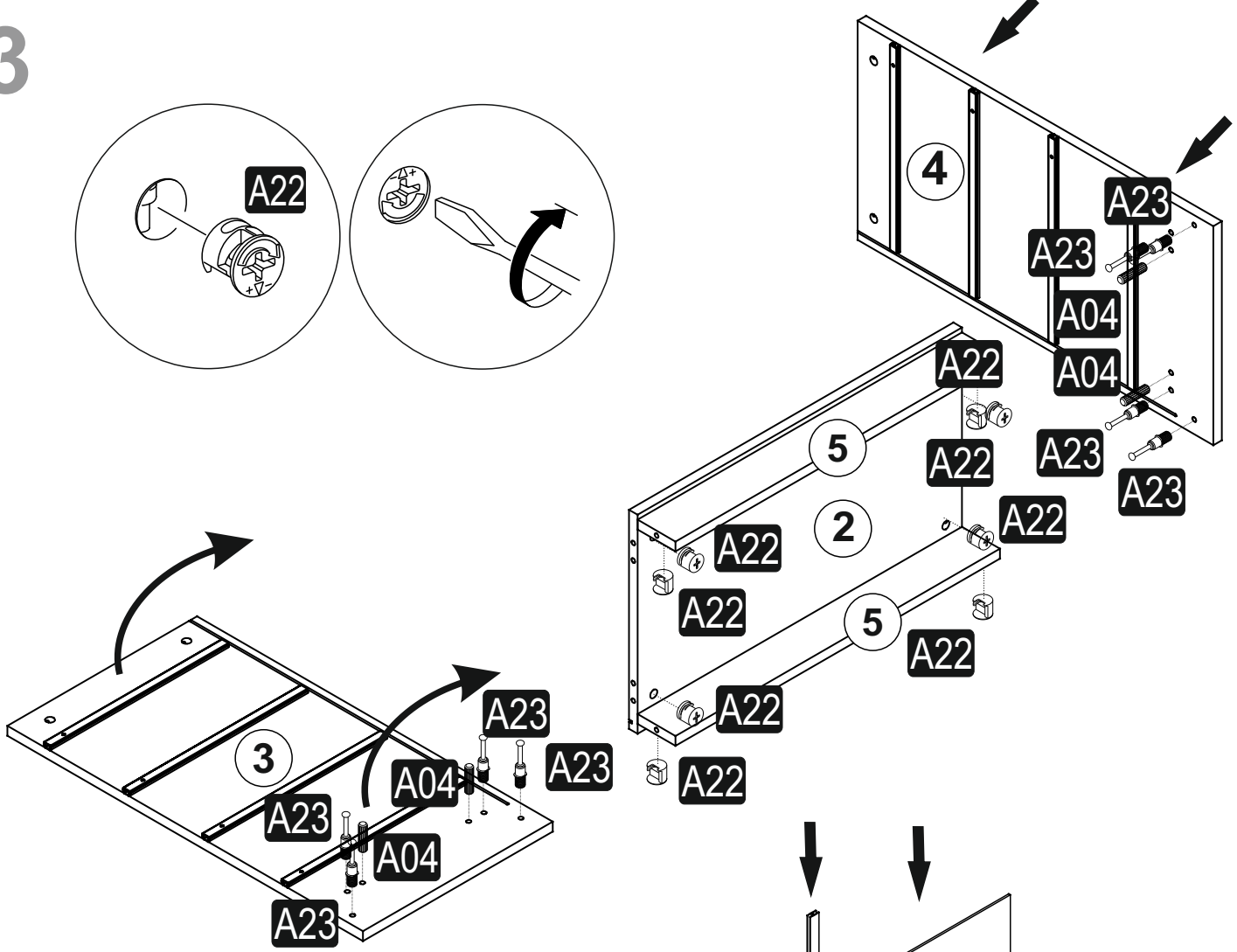
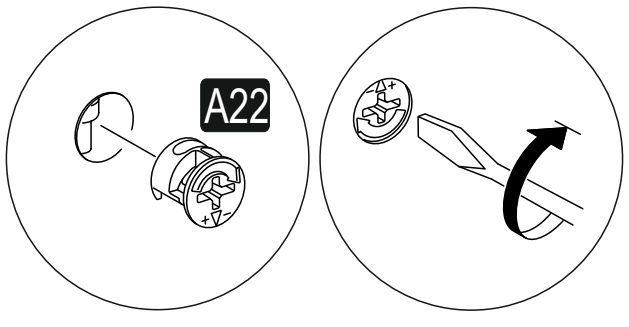
1



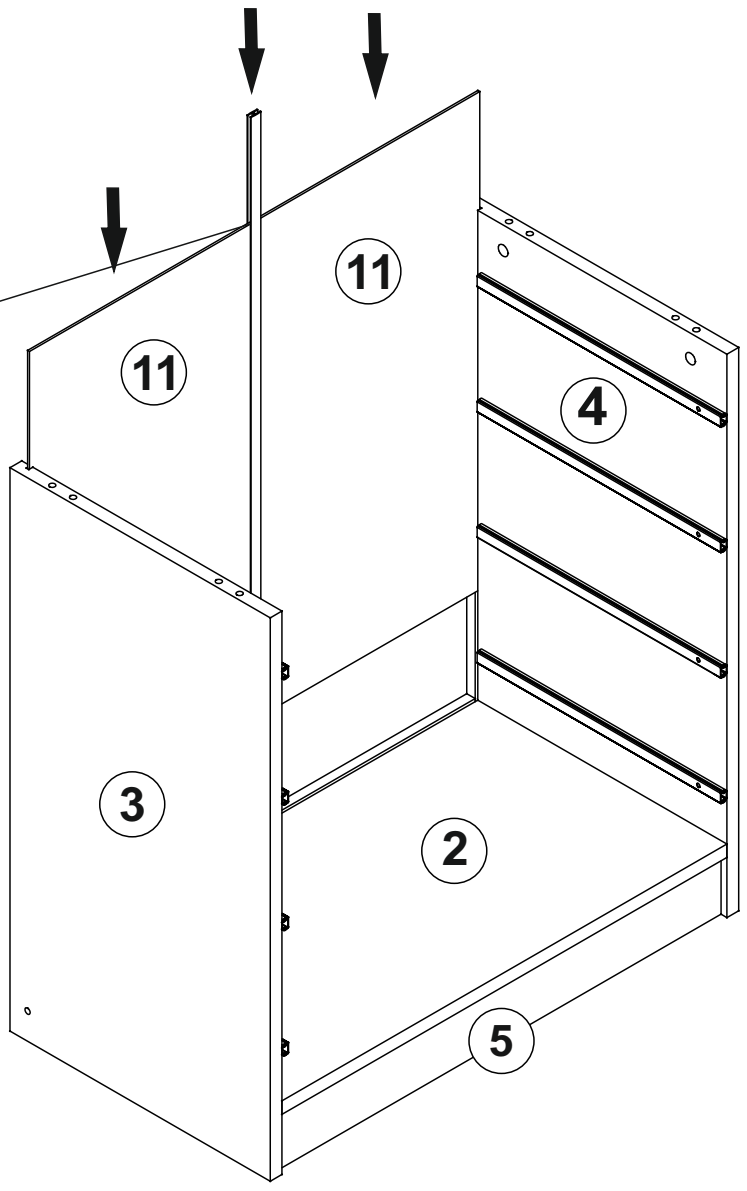
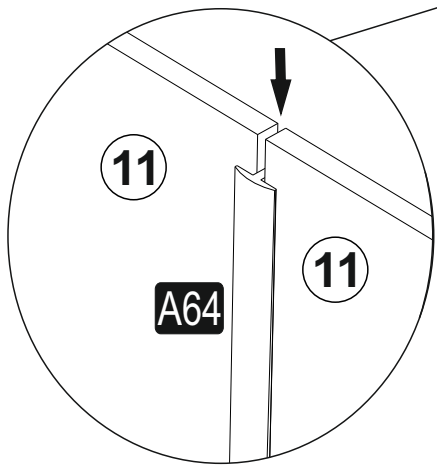
2



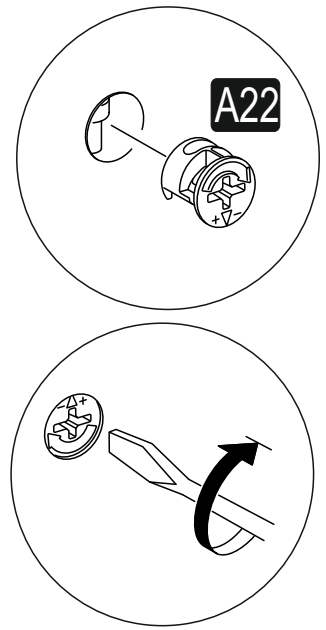
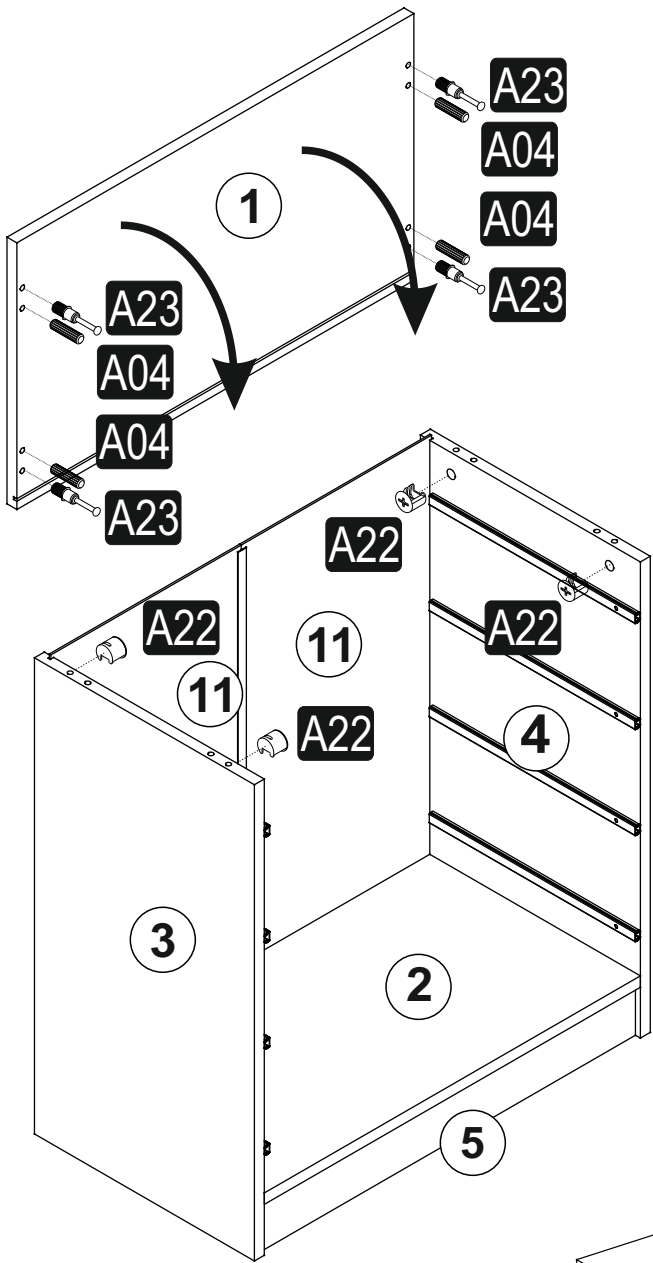
3



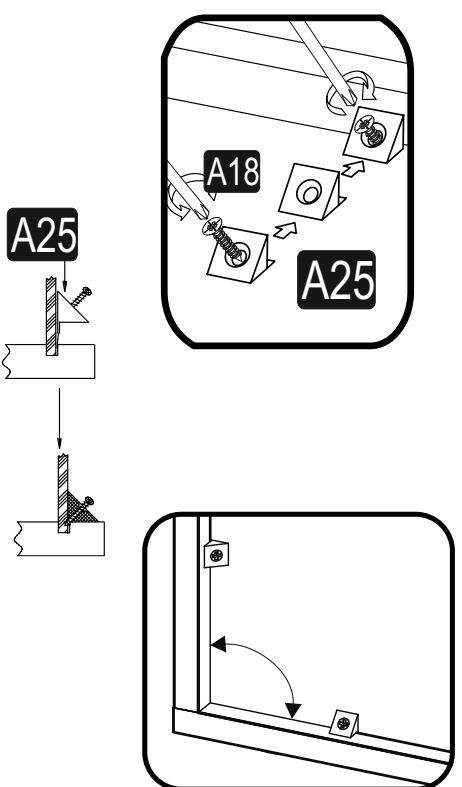
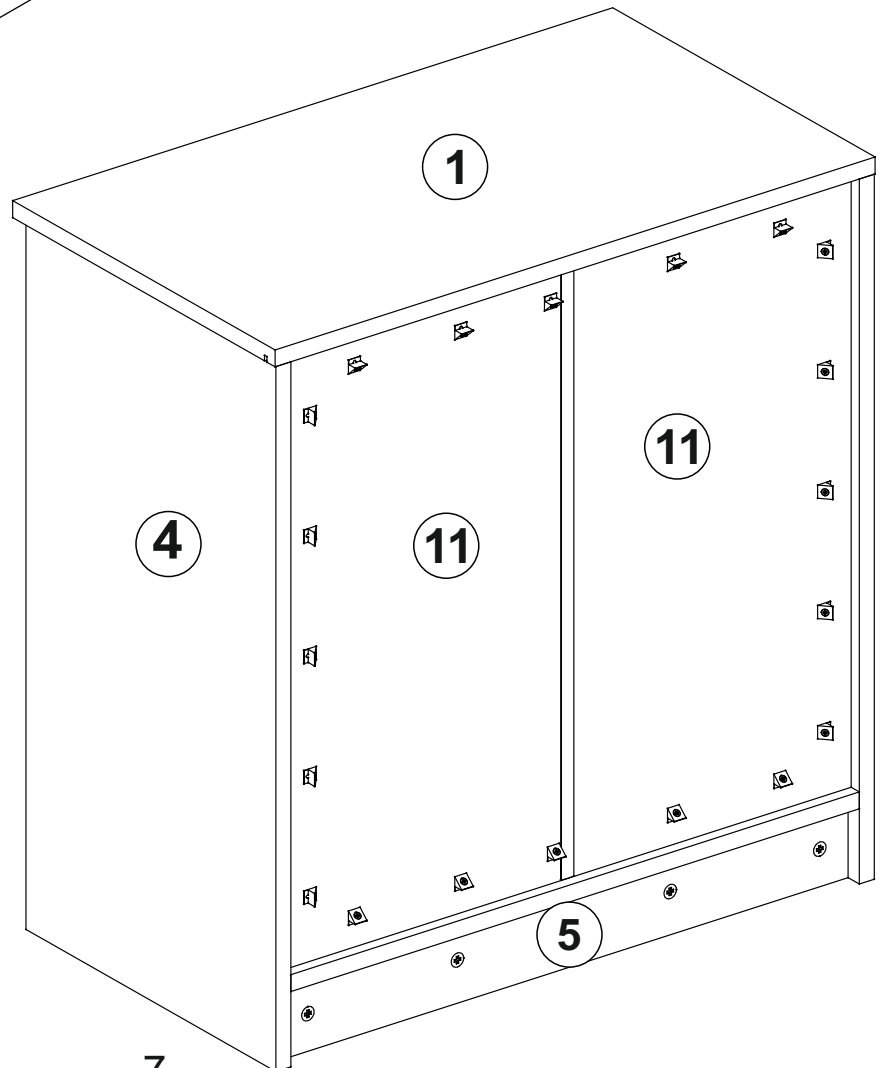
4



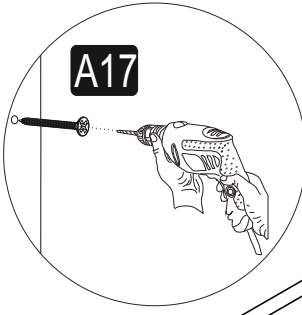
5



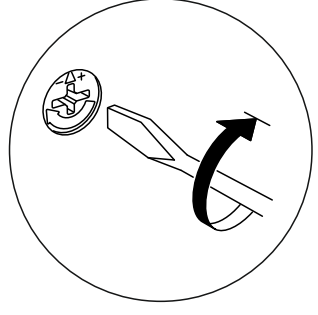
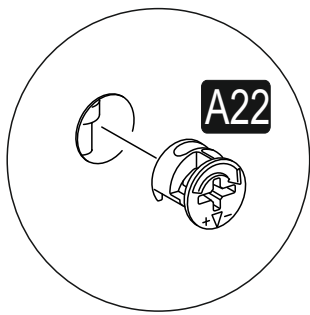
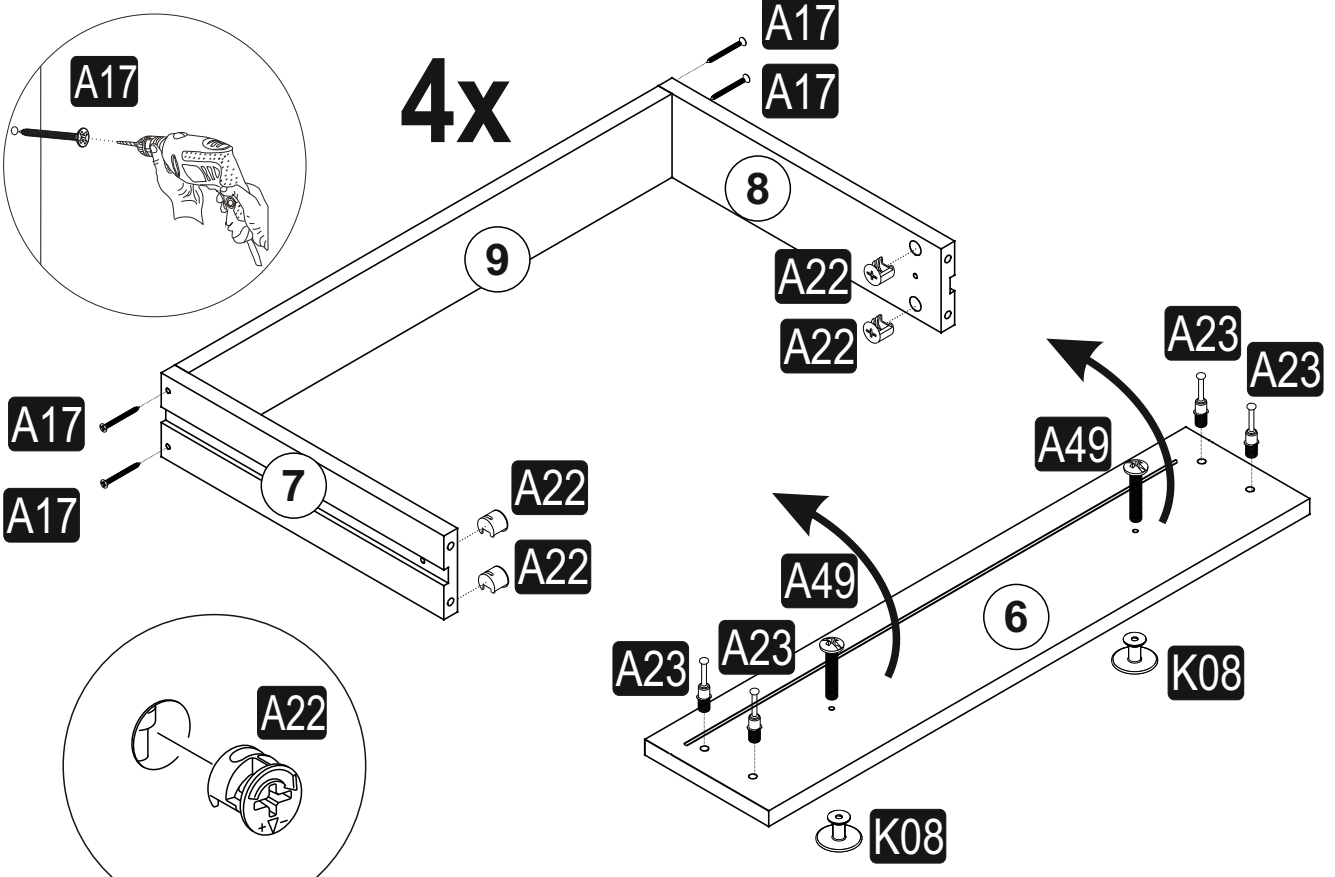
6



7

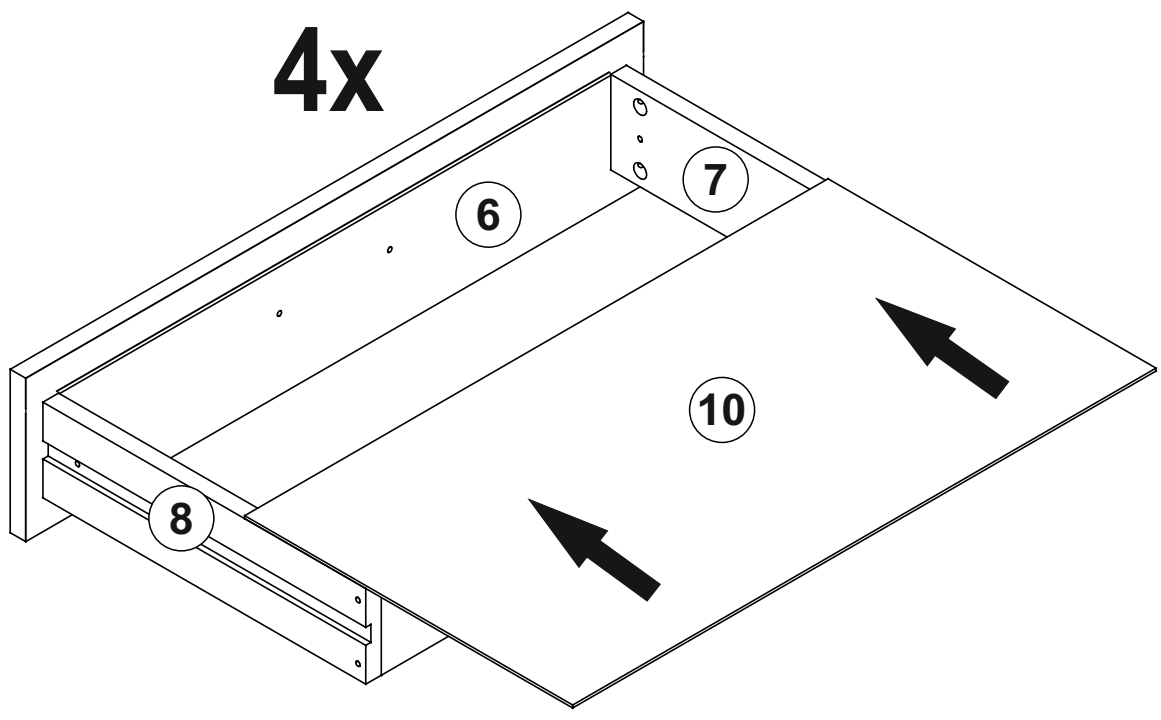


4x

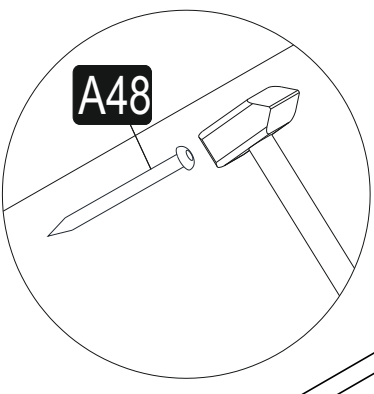


8

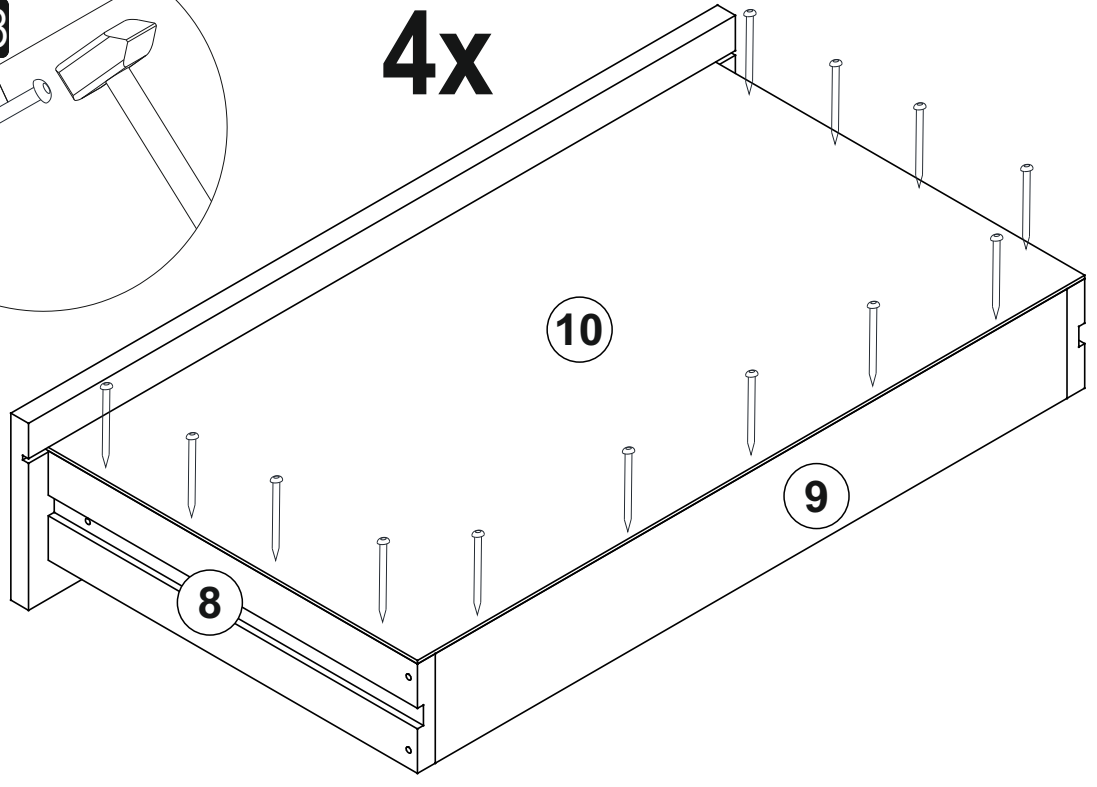
4x



9



4x



10

