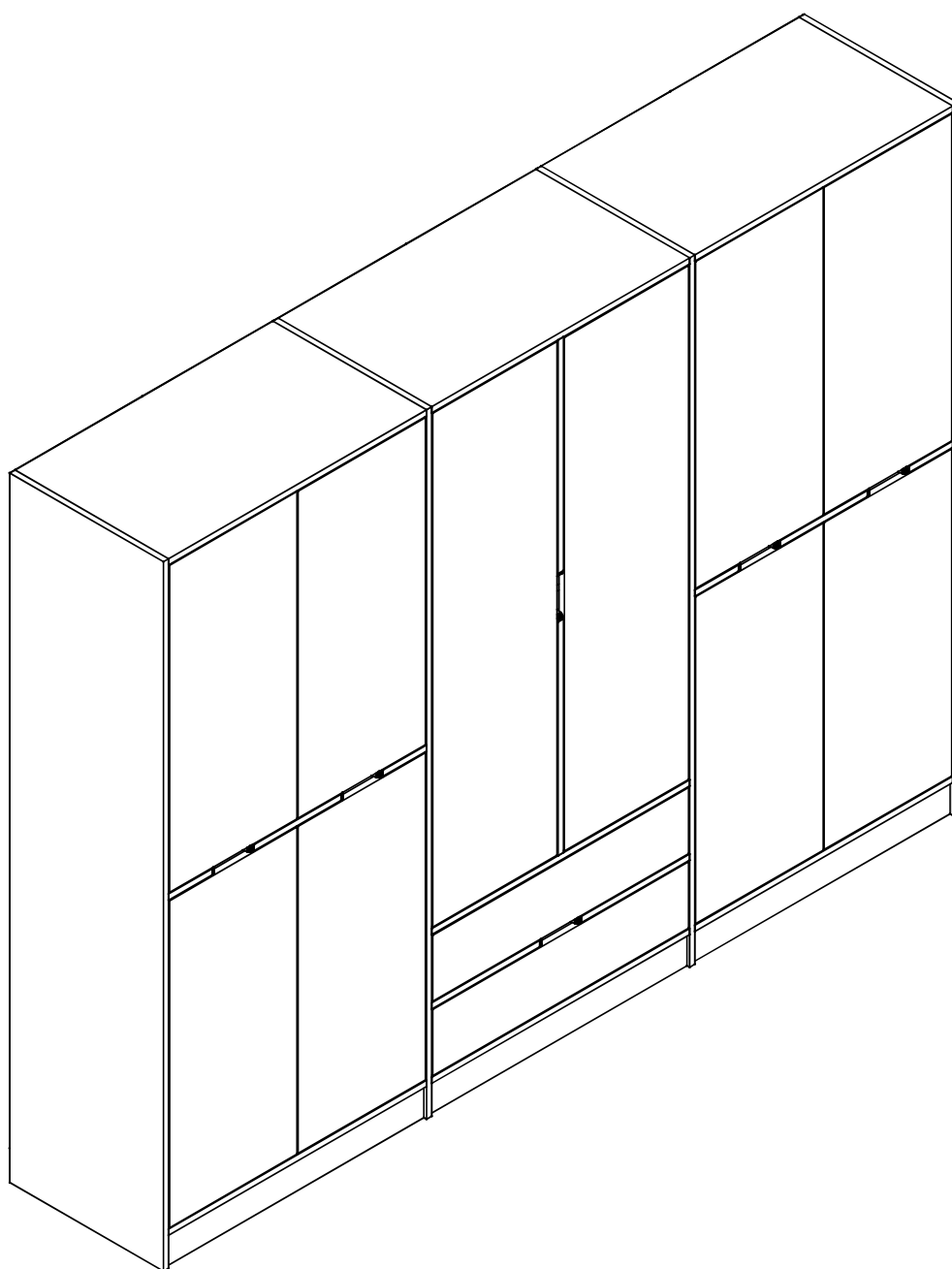


# ELINA

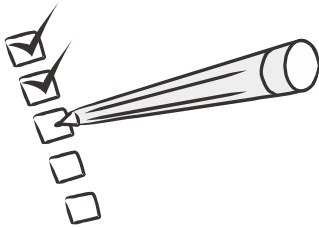
6K2C



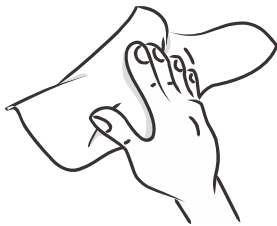
Dear Customer,

We design and produce our products for people to love and have fun with them as we do.

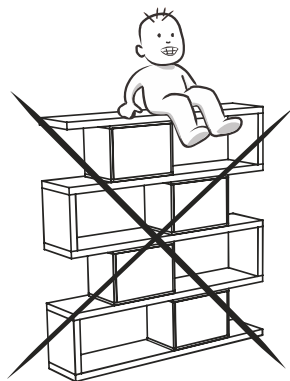
The product you bought was subjected to all sorts of tests and control before sending out to you.



Before start assembling, please check the whole components and accessories according to the lists. If you bought more than one product, to prevent confusion be sure that you completed the first product. Then start the other product's assembling.



Before start assembling, please clean all the components with a damp cloth. Also for usual cleaning, this will be enough.

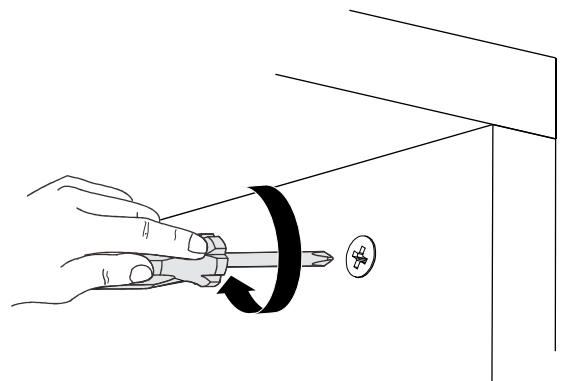
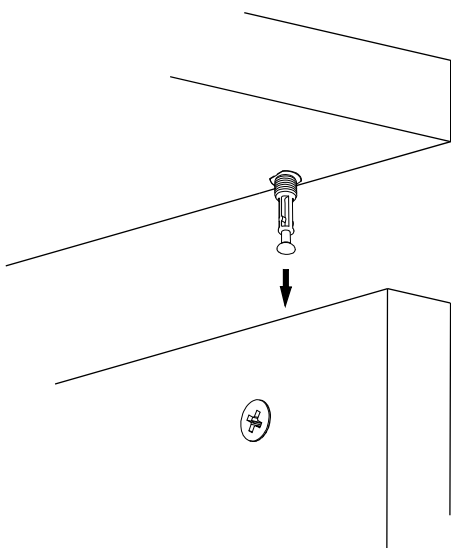
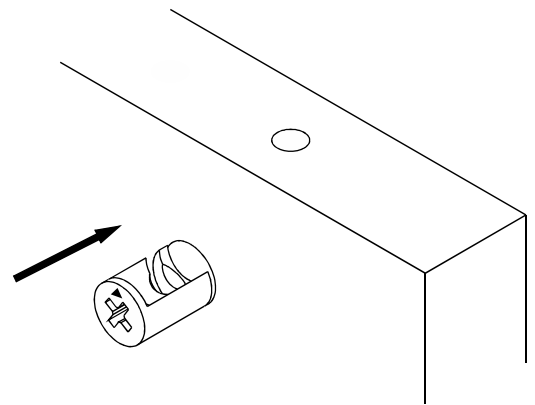
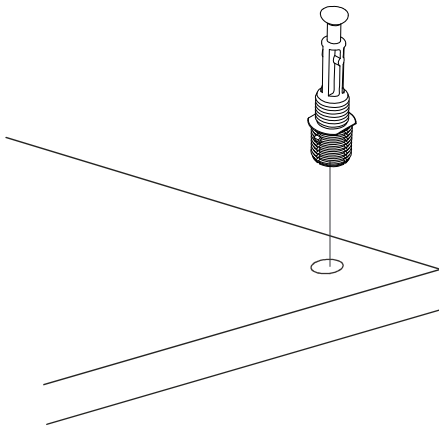
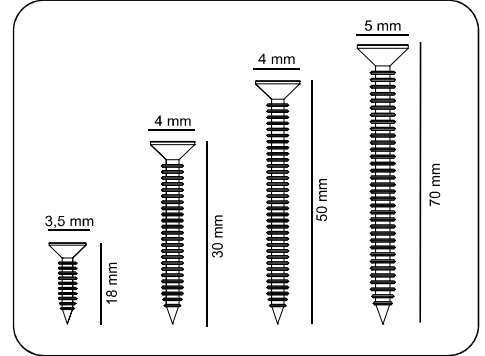
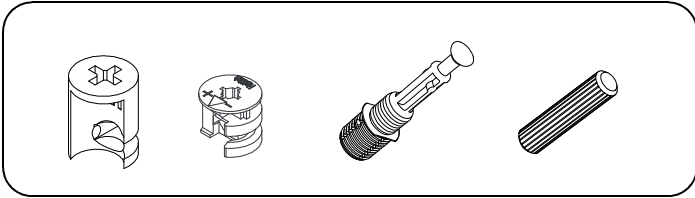


Do not use your furniture for out of purposes. If you would like to use it, please contact us for further questions.

Do not directly contact your furniture with excessive heat, cold and humidity because the product can be affected..

# ATTENTION !!

Minifix is the main connection material used in  products. Before starting assembly, please check the drawings below.

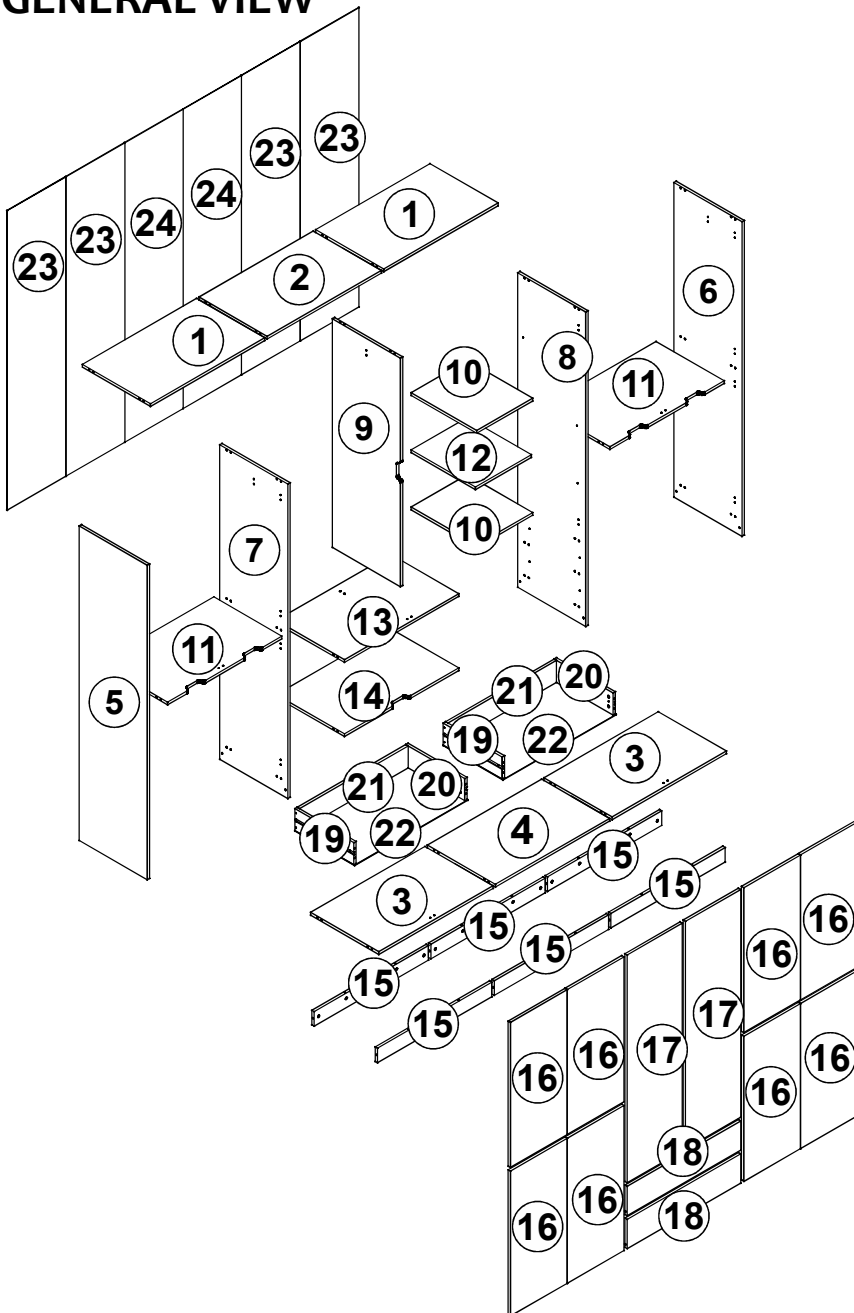


# ACCESSORY LIST

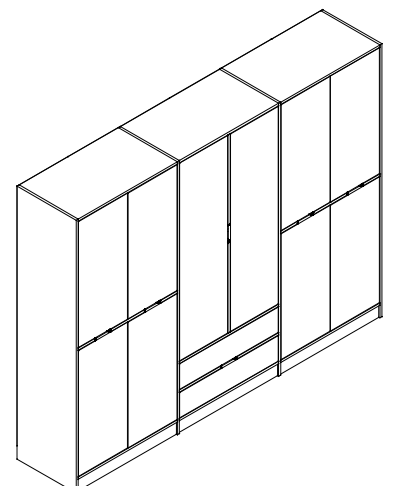
# ELİNA 6 KAPILI DOLAP

<b>A23</b> Minifix M8 8x34 48x	<b>A22</b> Minifix G18 15x14 64x	<b>A04</b> PLSTK KVLV 8x30 68x	<b>A18</b> YHB VD 3,5x18 132x	<b>A17</b> YHB VD 4x50 8x
<b>A94</b> YSB MVD 4x15 4x	<b>C02</b> SDM 20x14 20x	<b>C06</b> SD MA 20x 20x	<b>A14</b> U Minifix 8x86 8x	<b>A48</b> ARKLK CVS 104x
<b>R07</b> BLY RAY 17x438 2x	<b>V10</b> RFİX 20x14 12x	<b>V11</b> RFİX VD 5x13 12x	<b>A64</b> H ARKLIK CTS 1944 mm 2x	<b>A24</b> ASK FLNS 10x
<b>A55</b> ASK BRS 863 mm 4x	<b>A55</b> ASK BRS 417 mm 1x	<b>A60</b> KPK STPR BYZ 12x	<b>A06</b> MRBL KRZ 18 mm 52x	

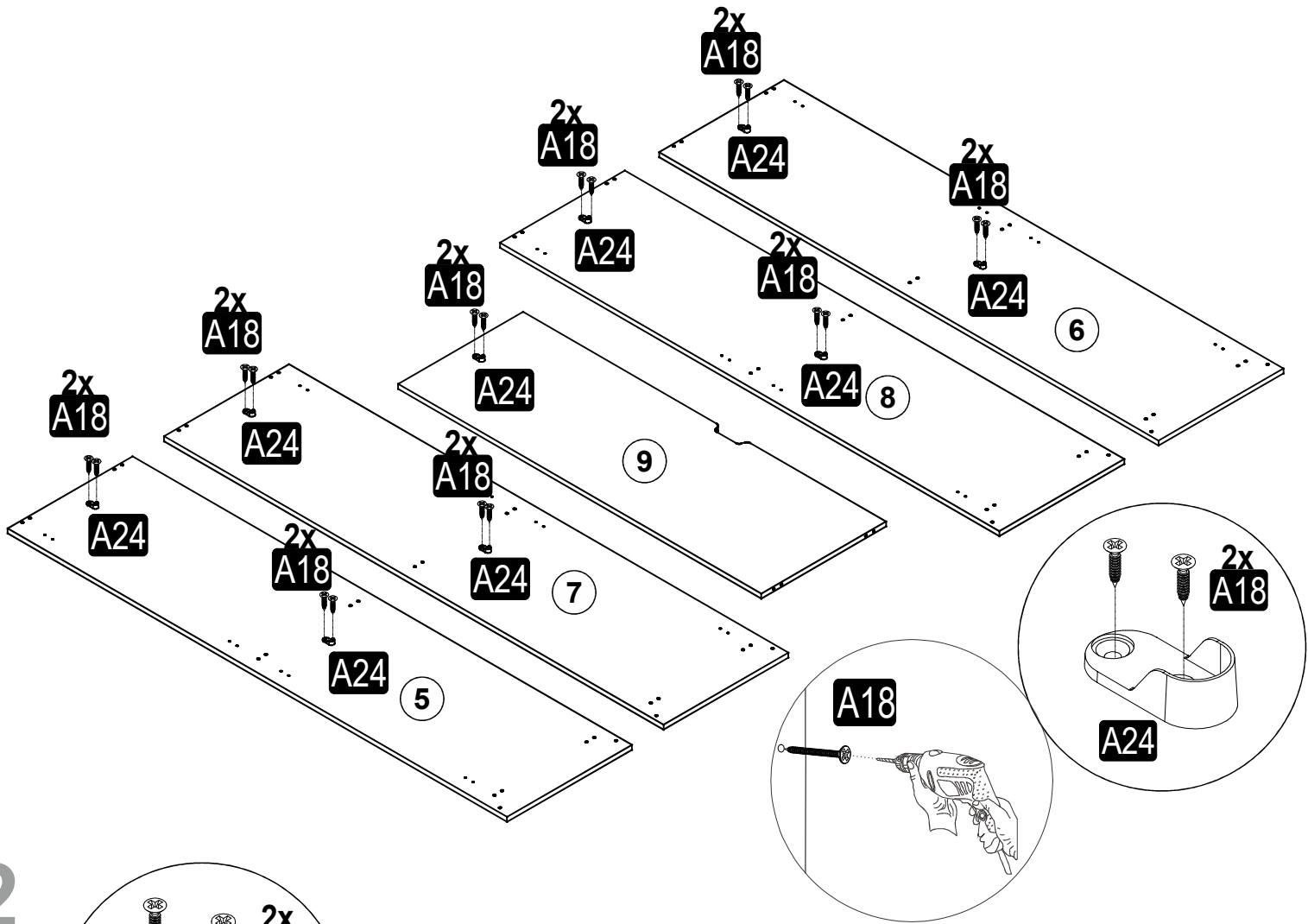
## GENERAL VIEW



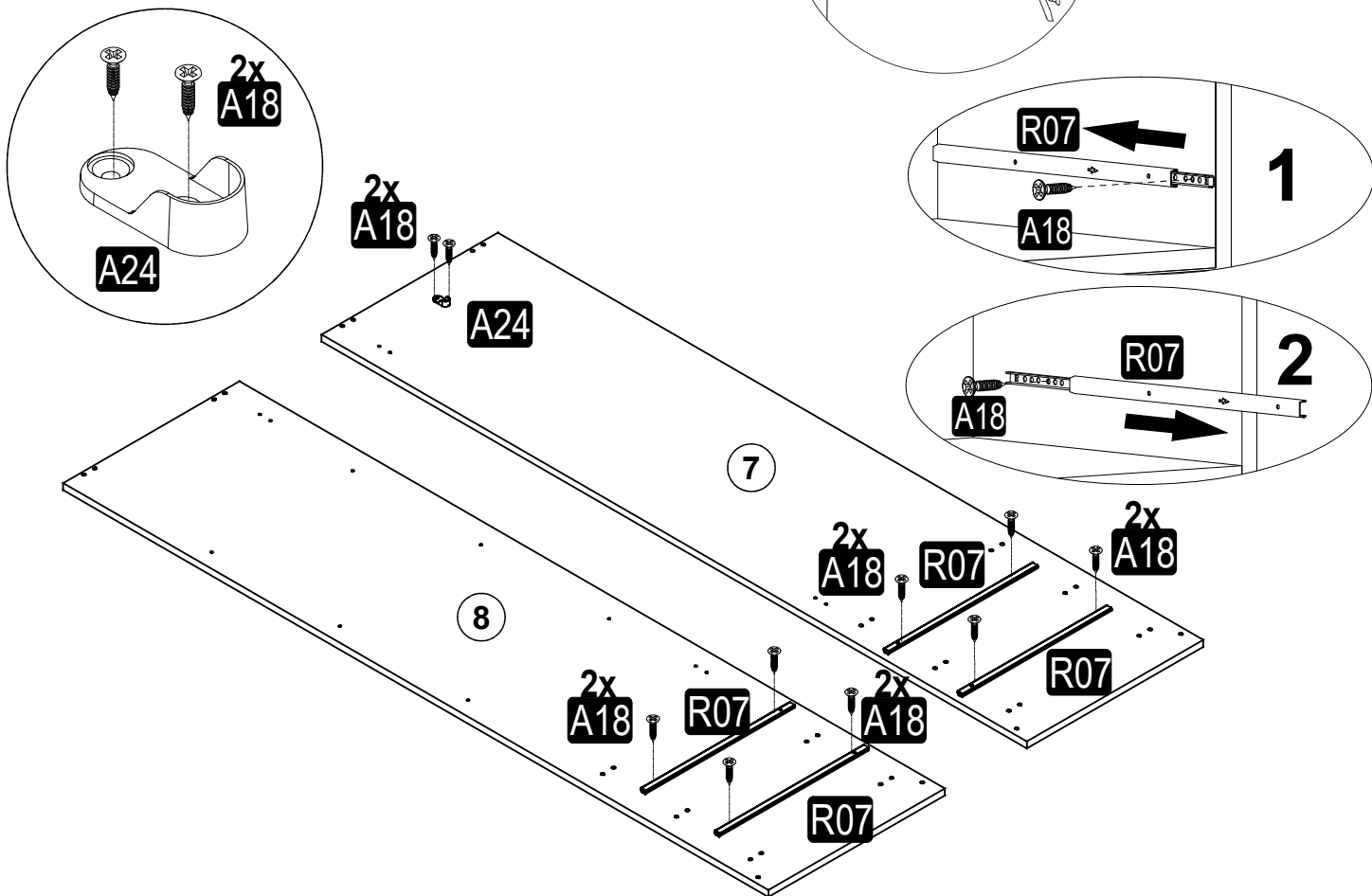
.01	2	873	520	18
.02	1	873	520	18
.03	2	873	520	18
.04	1	873	520	18
.05	1	2080	520	18
.06	1	2080	520	18
.07	1	2080	520	18
.08	1	2080	520	18
.09	1	1512	520	18
.10	2	500	427	18
.11	2	873	520	18
.12	1	500	427	18
.13	1	873	520	18
.14	1	873	520	18
.15	6	873	96	18
.16	8	957	430	18
.17	2	1504	419	18
.18	2	865	192	18
.19	2	450	146	18
.20	2	450	146	18
.21	2	829	146	18
.22	2	865	456	3
.23	4	1980	448	3
.24	2	1980	445	3



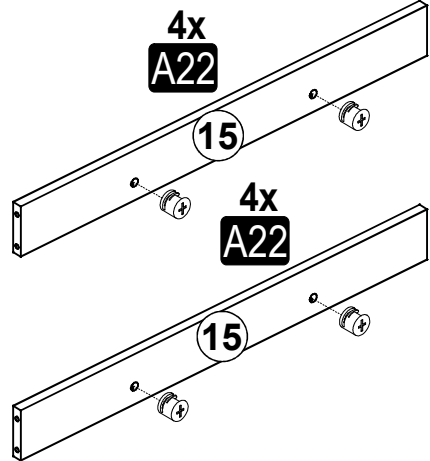
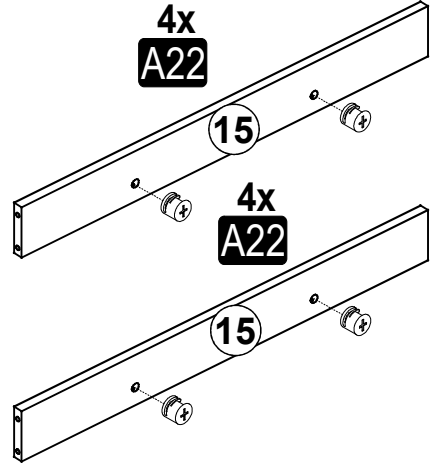
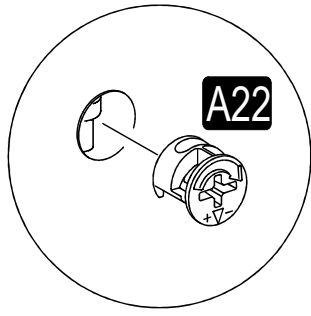
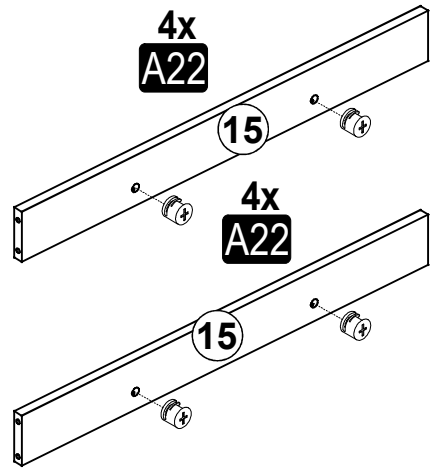
1



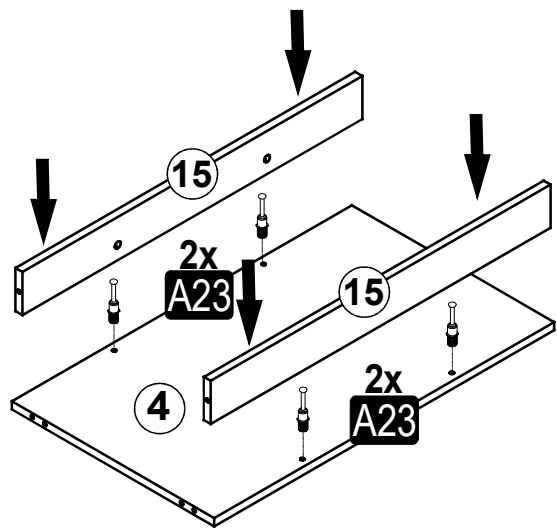
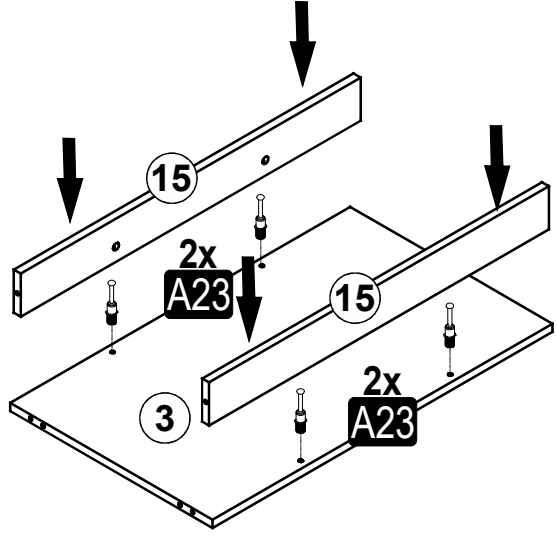
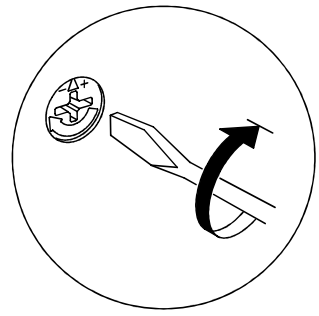
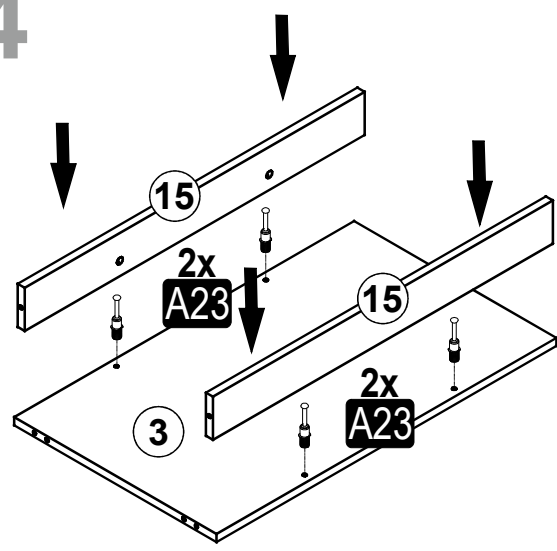
2



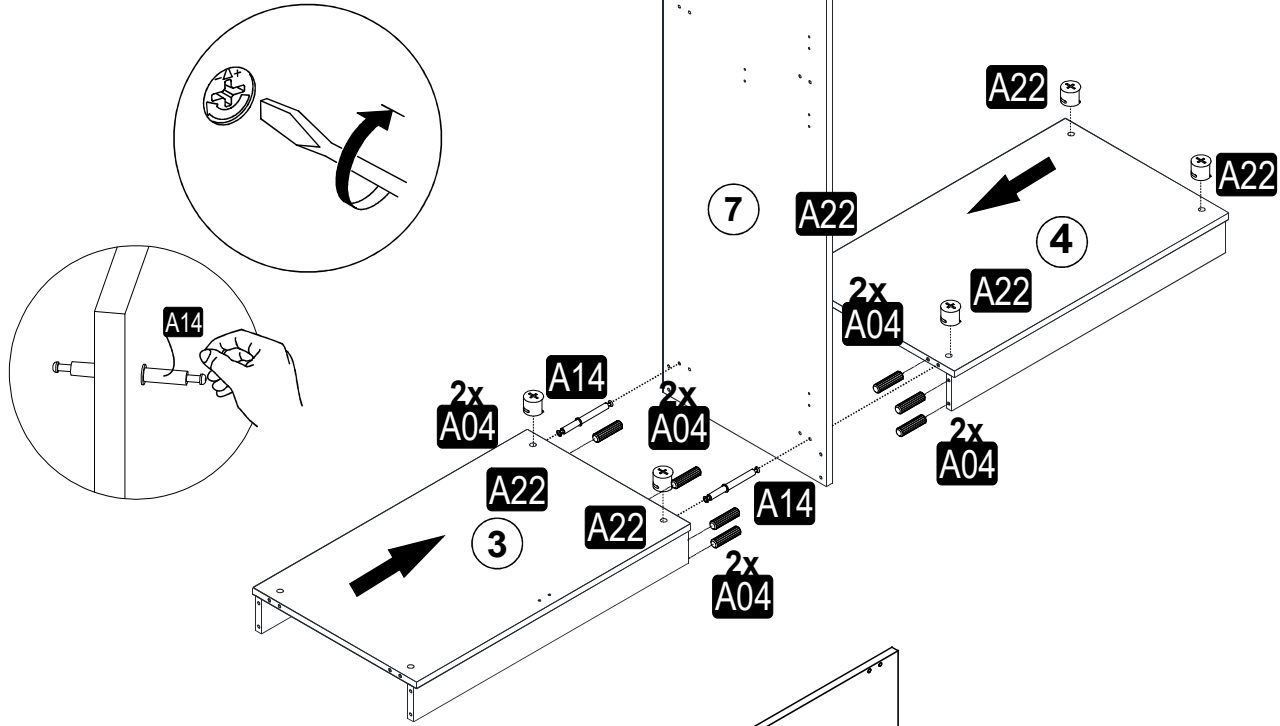
3



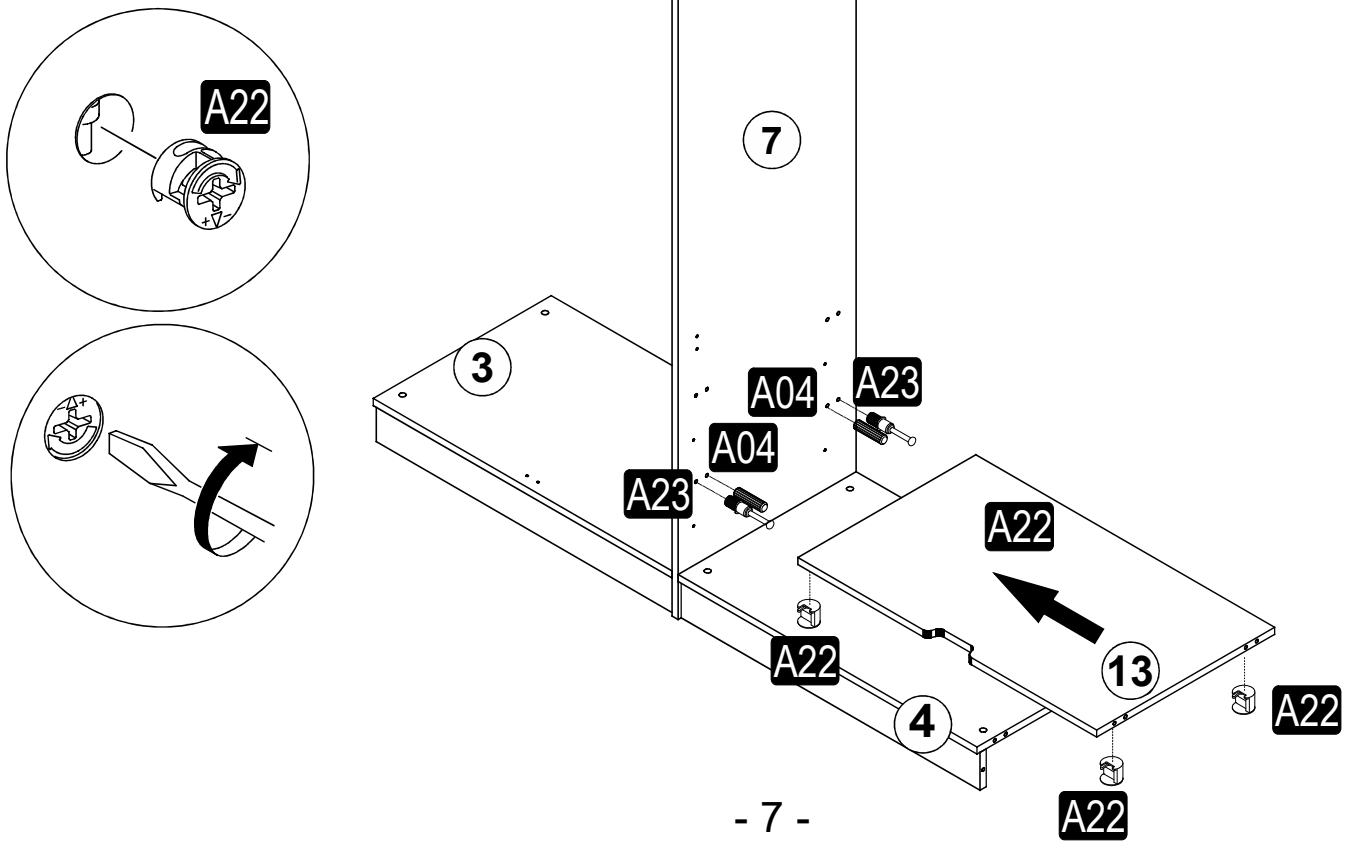
4



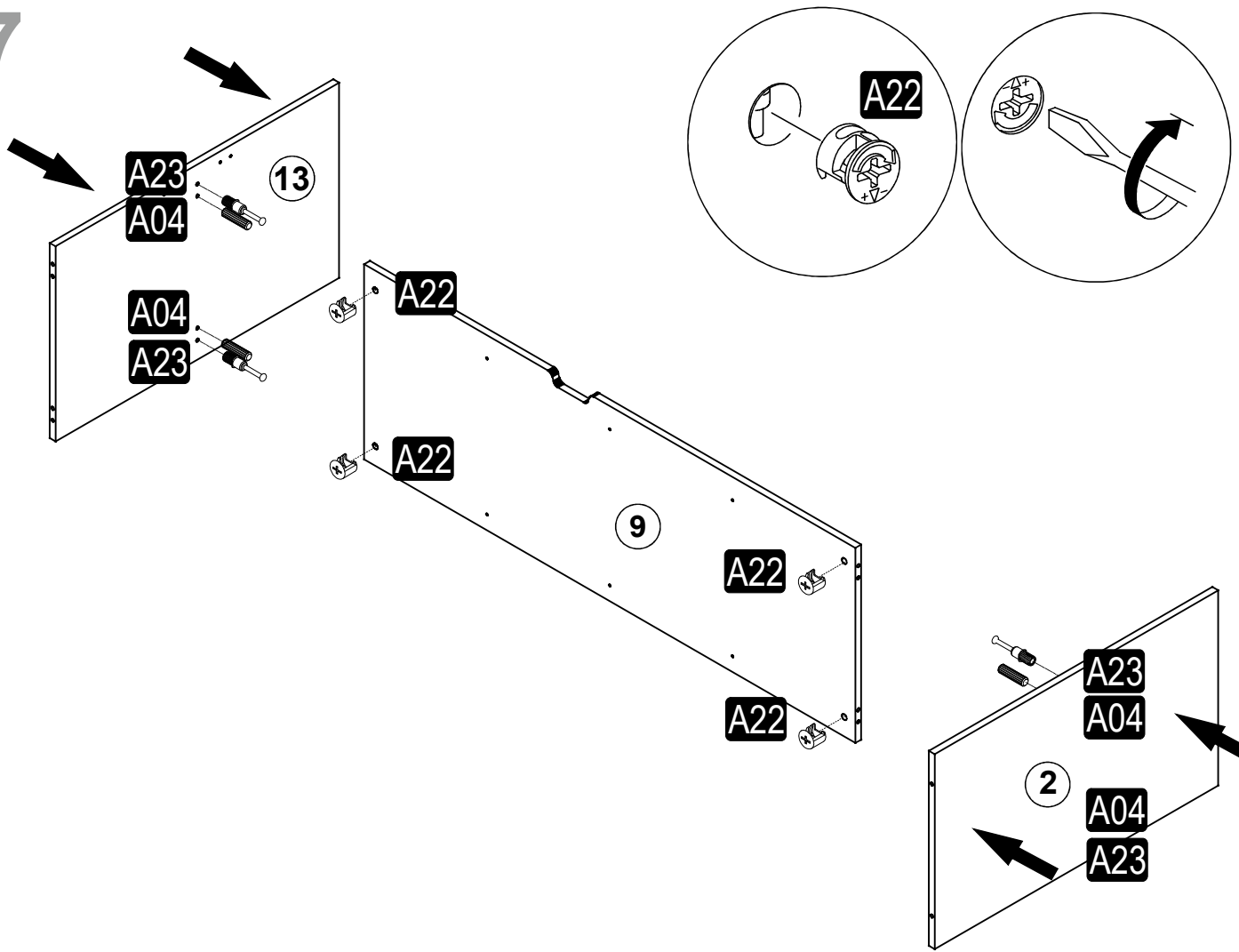
5



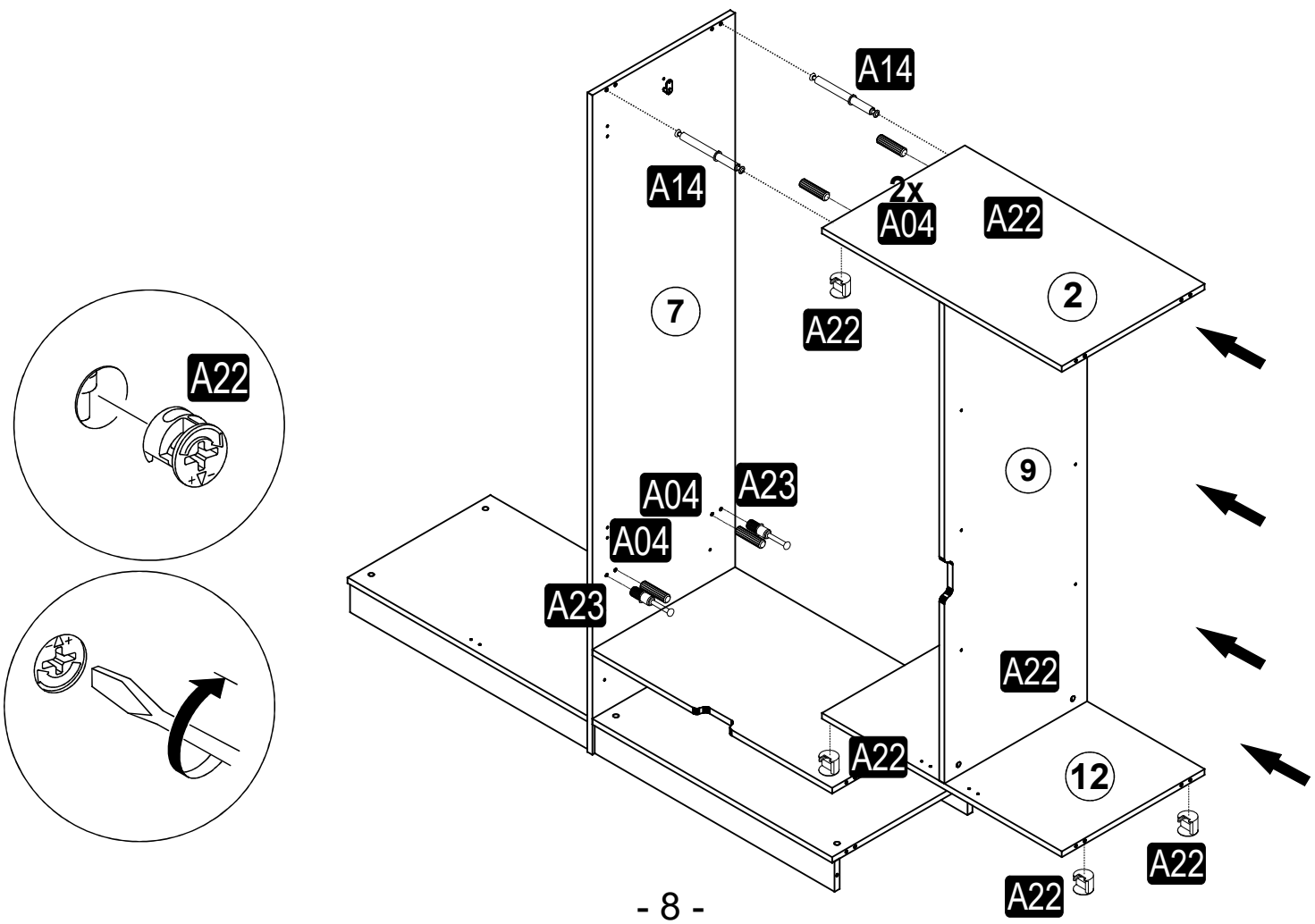
6



7

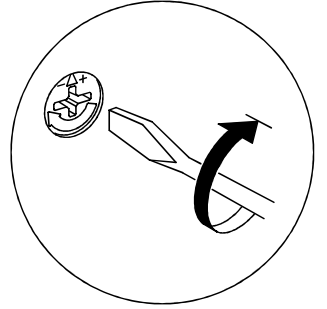
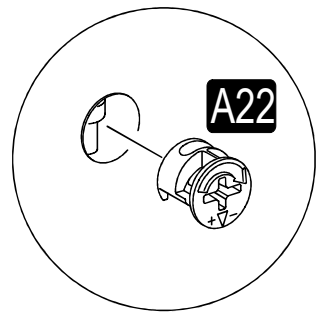
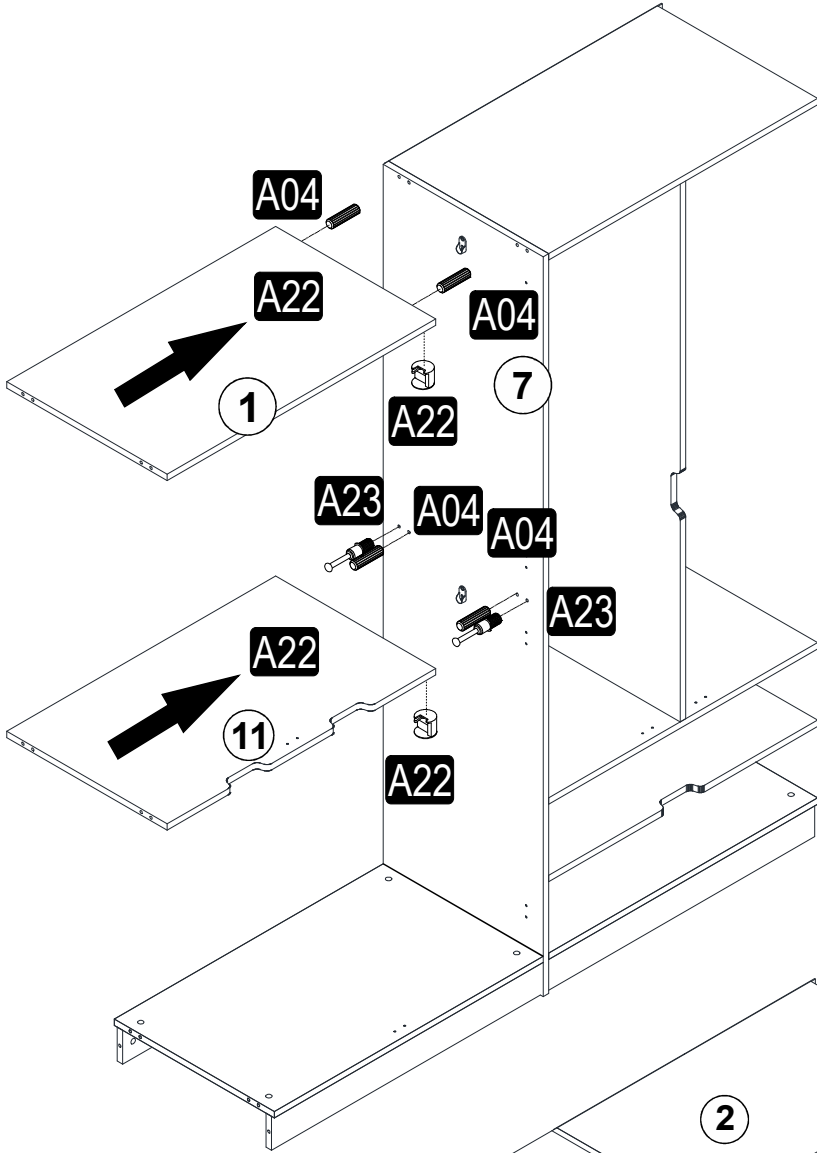


8

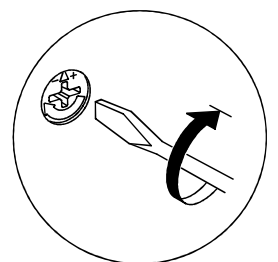
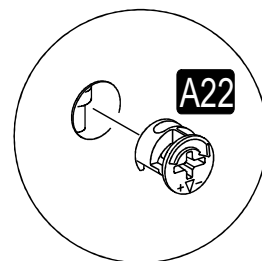
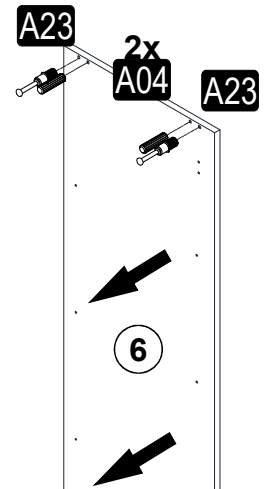
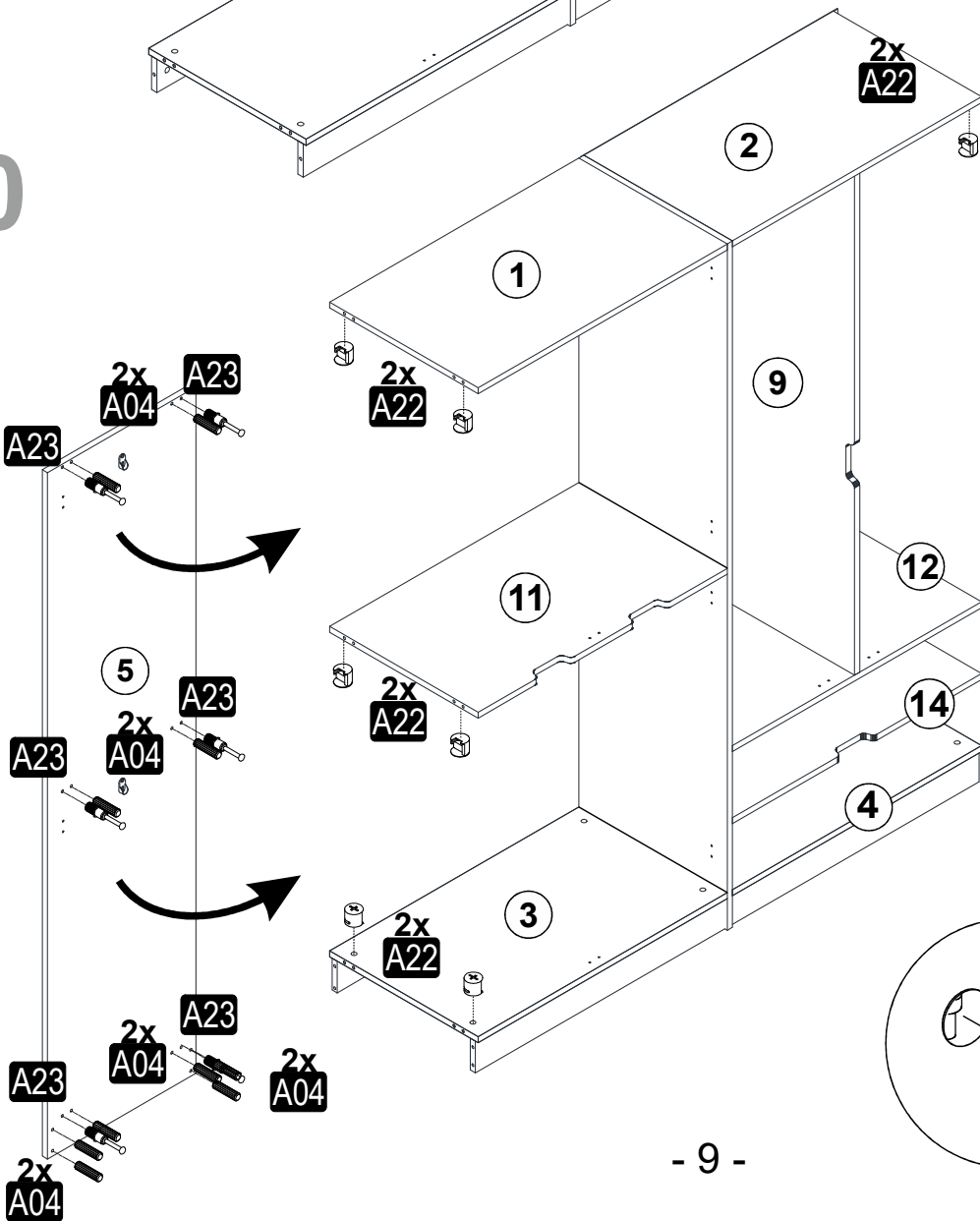




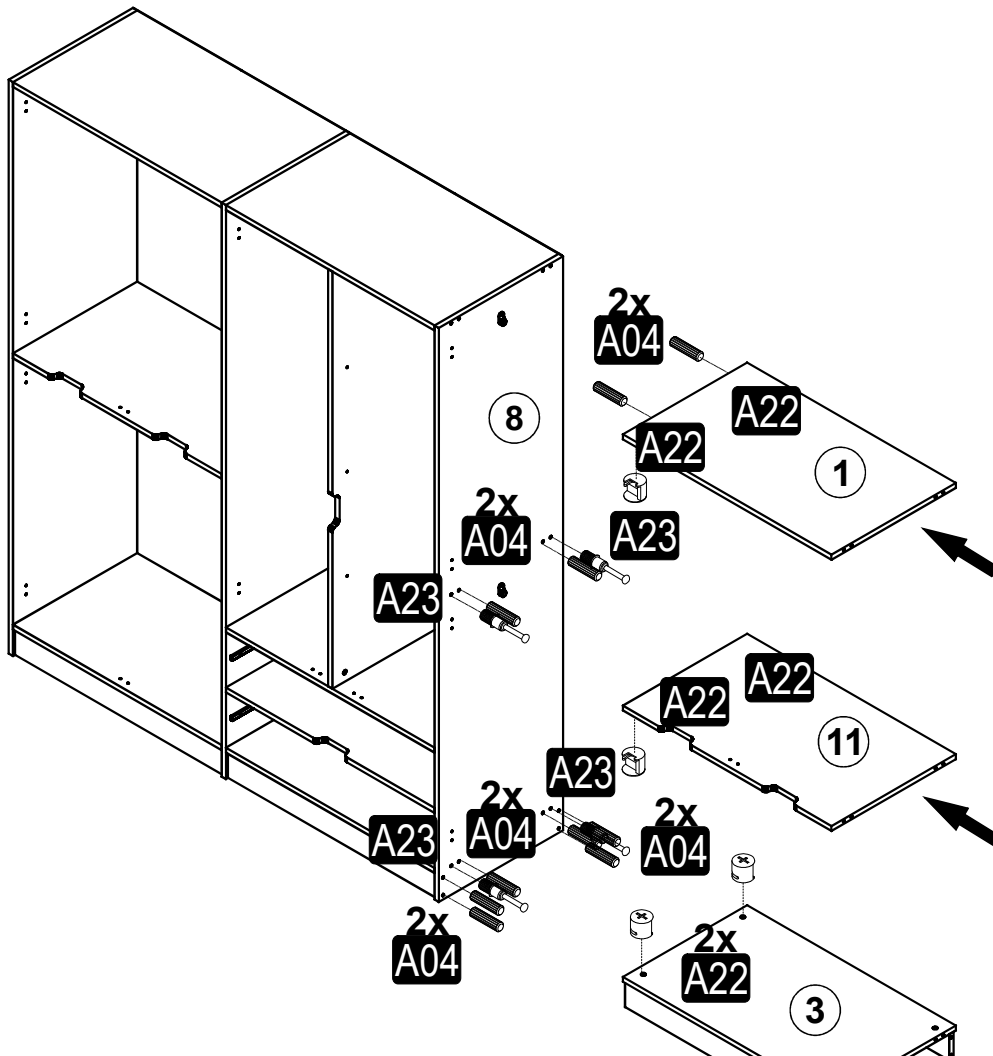
9



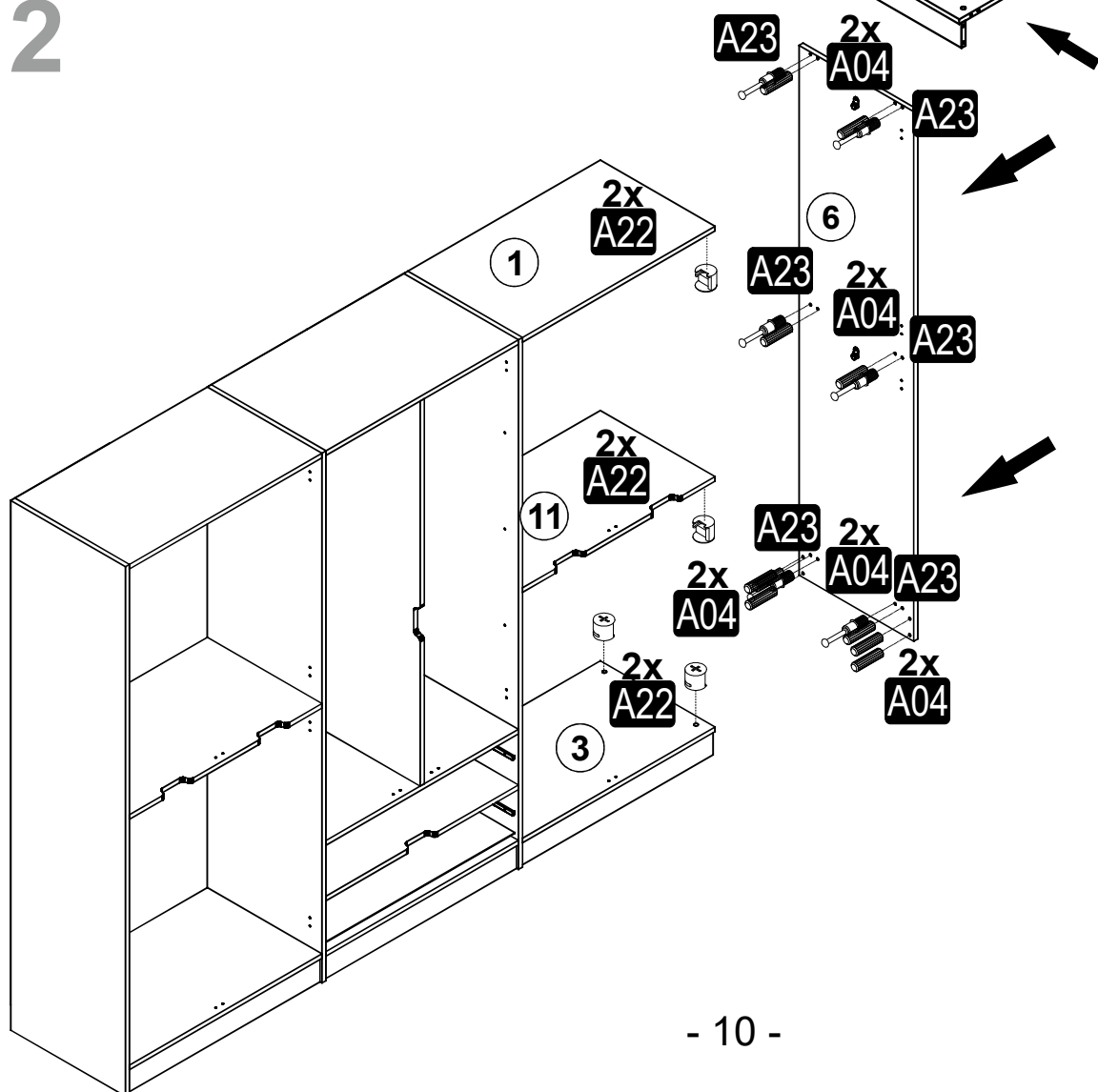
10



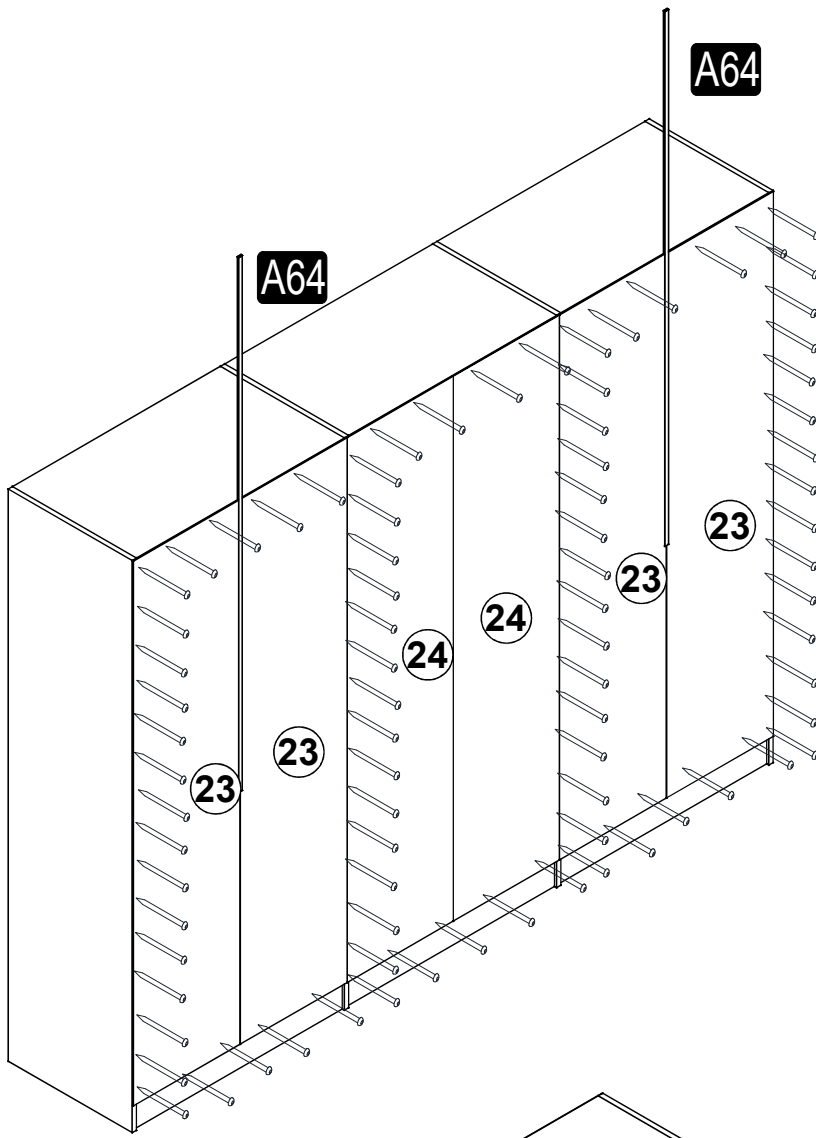
11



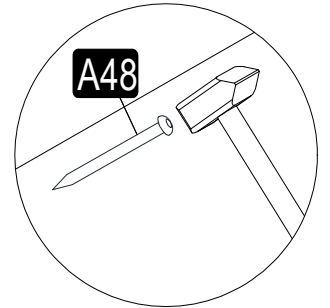
12



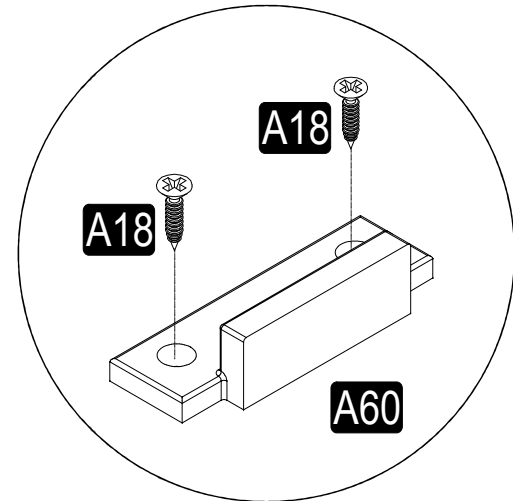
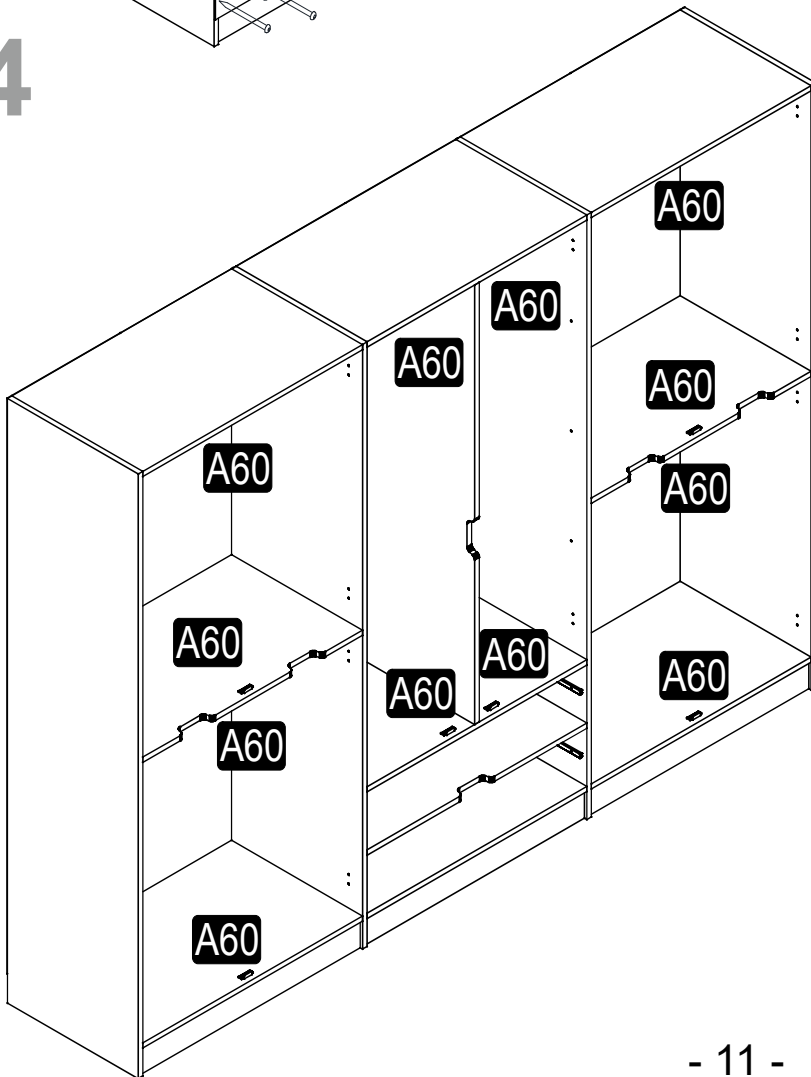
13



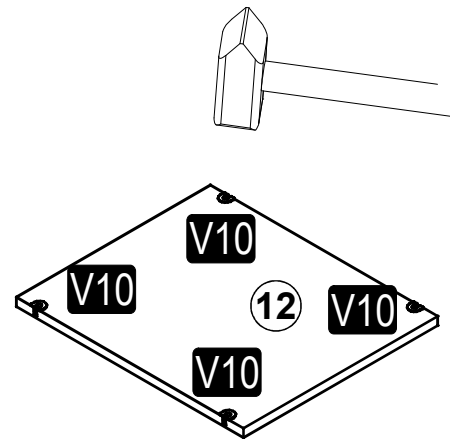
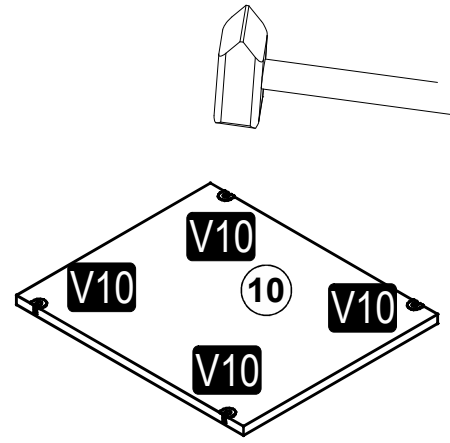
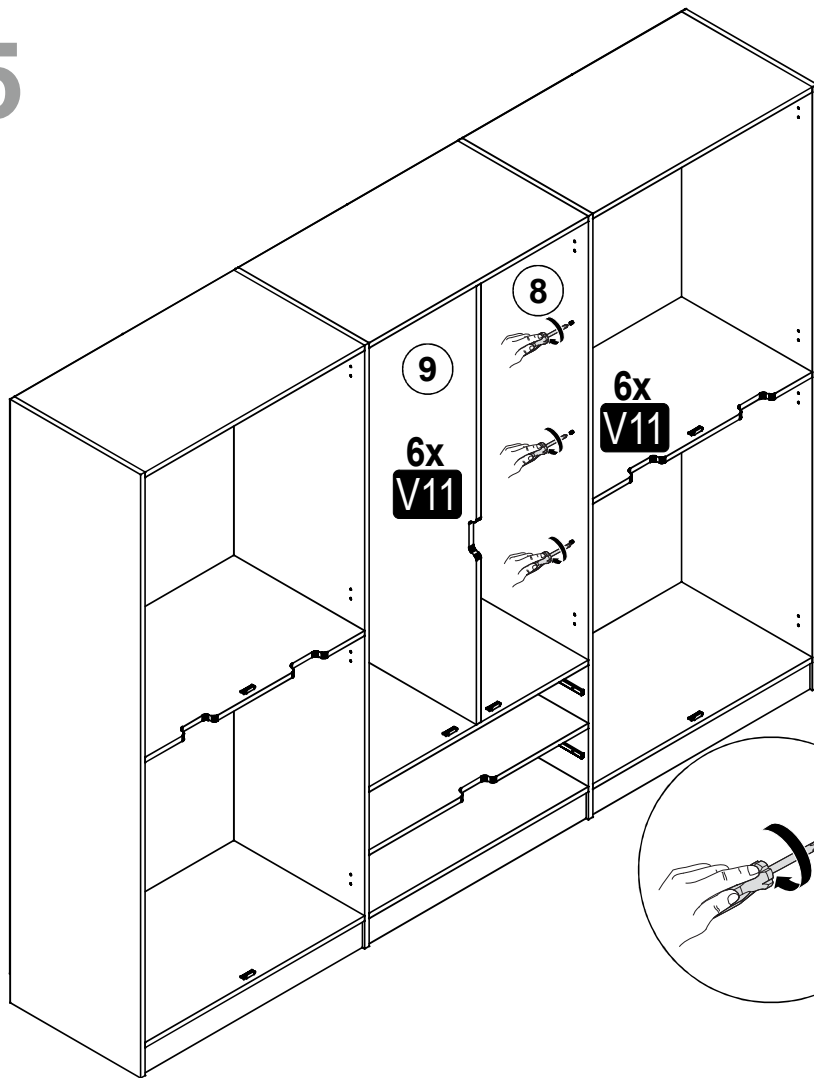
78x  
A48



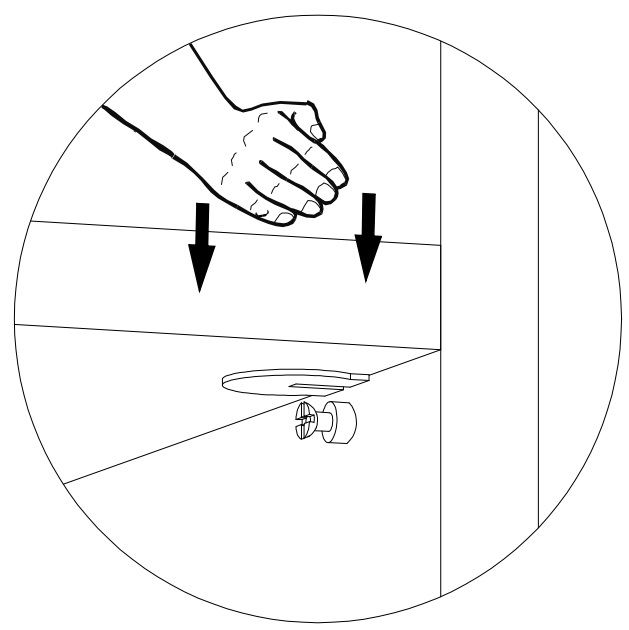
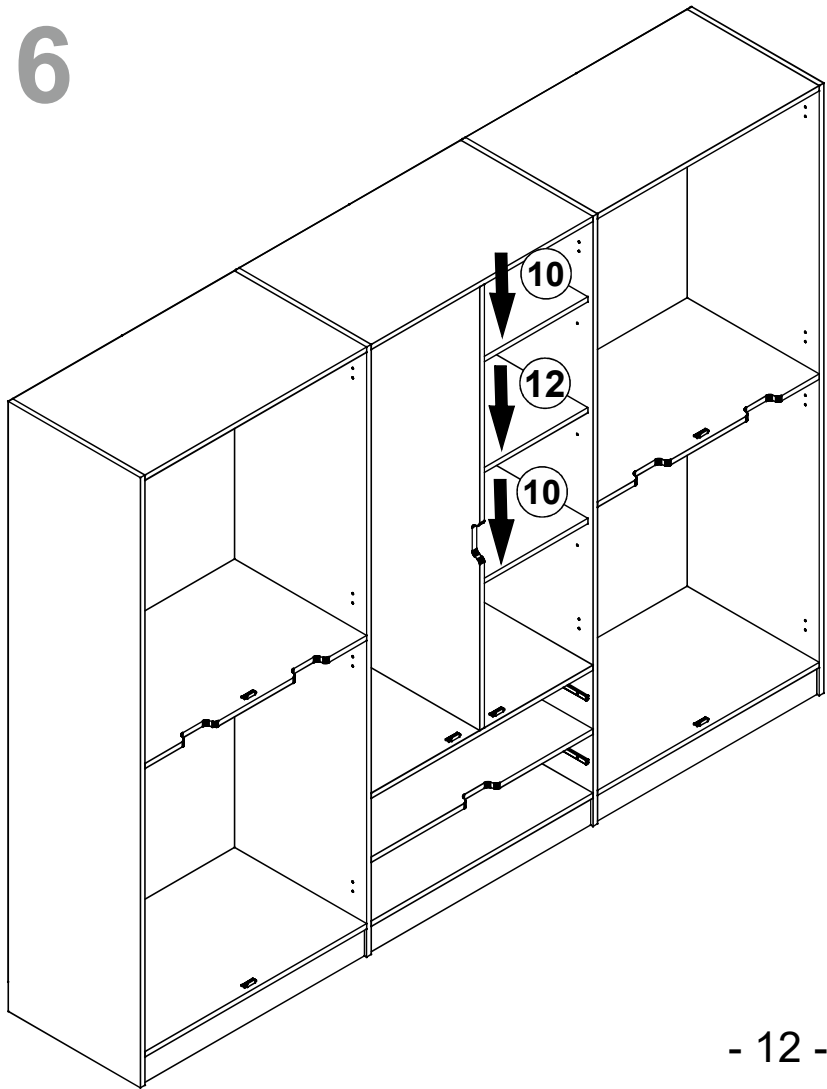
14



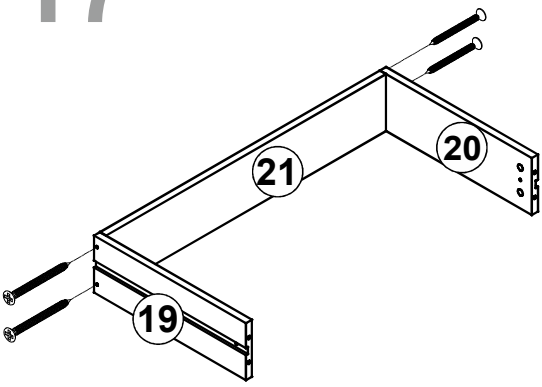
# 15



# 16

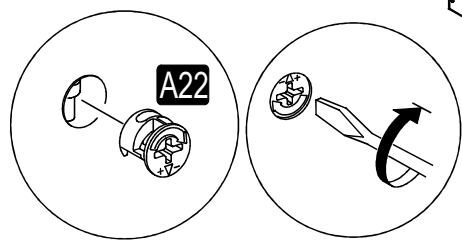
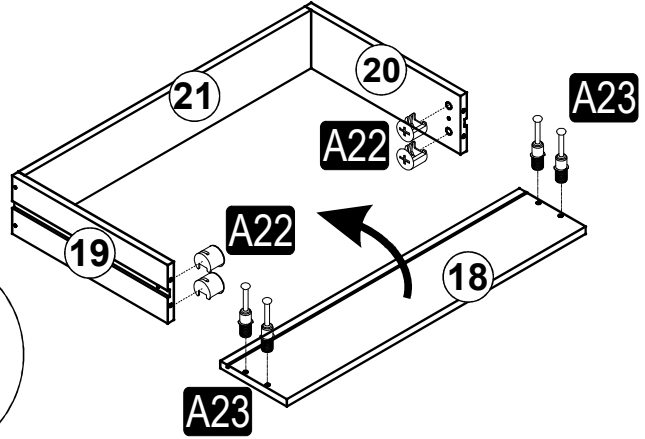
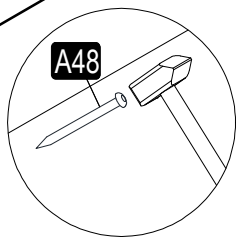
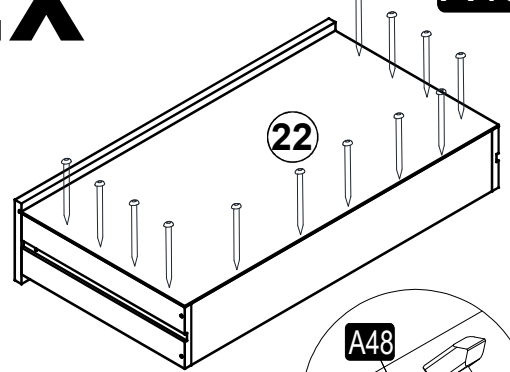


17

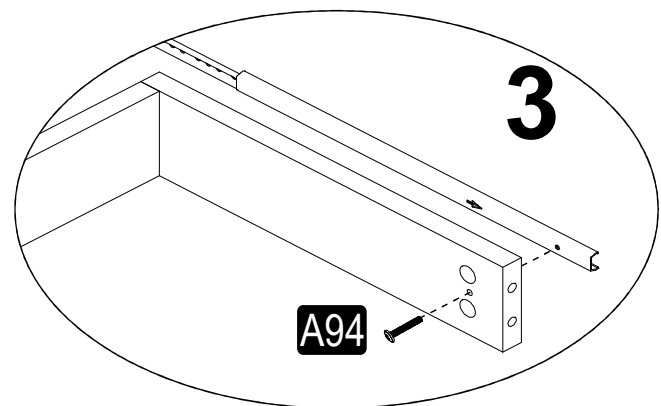
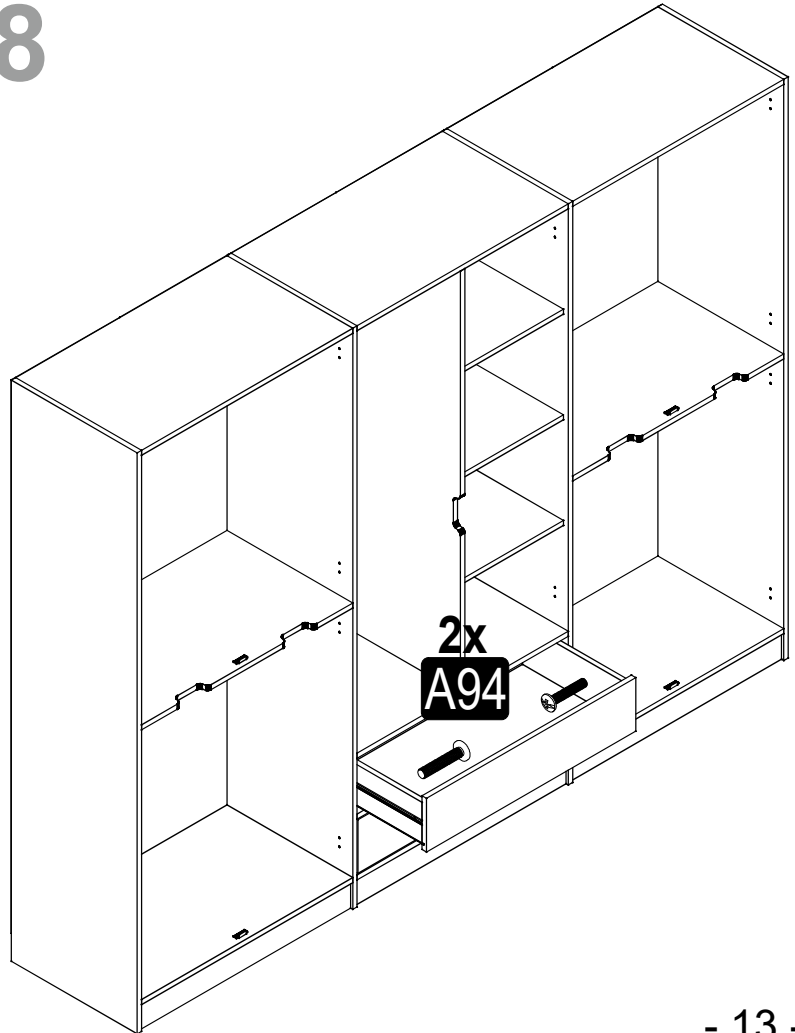


2x

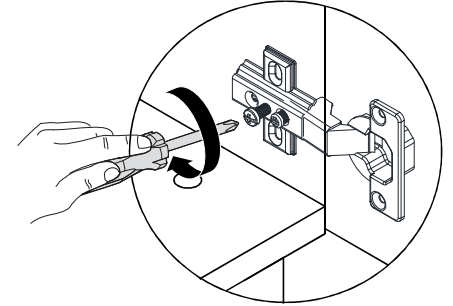
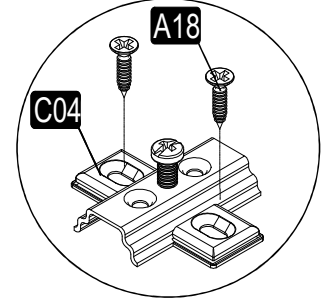
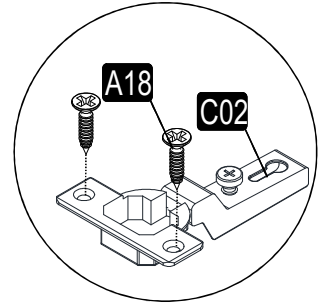
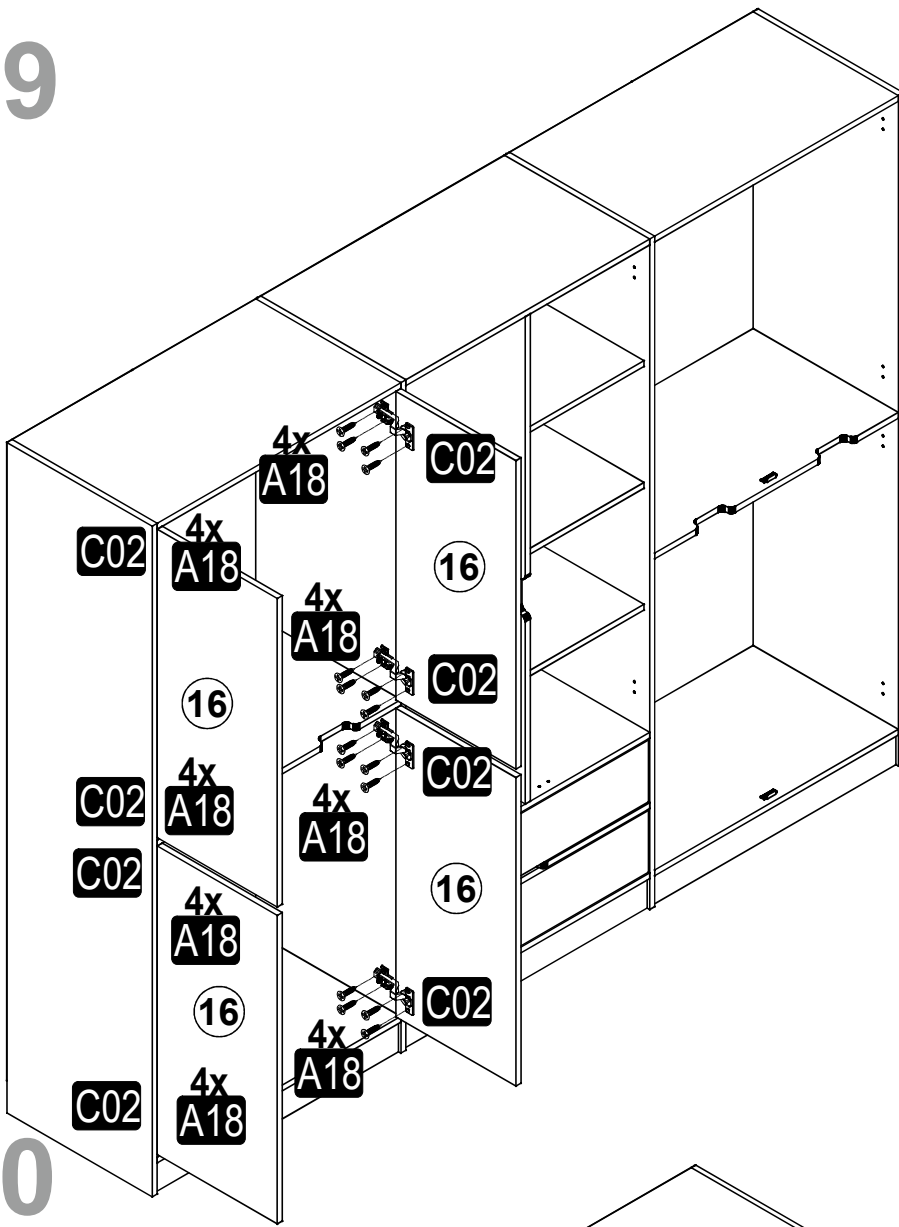
13x  
A48



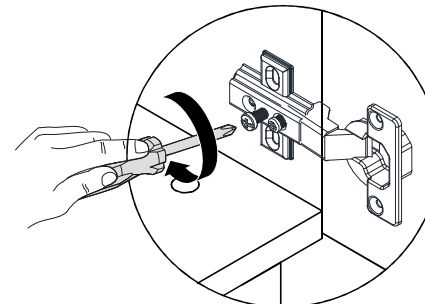
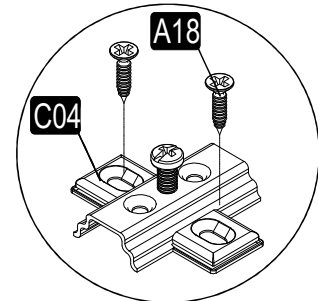
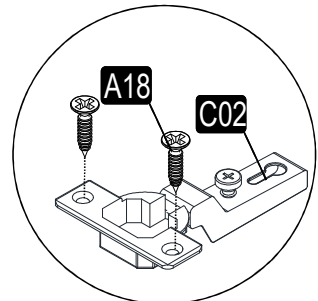
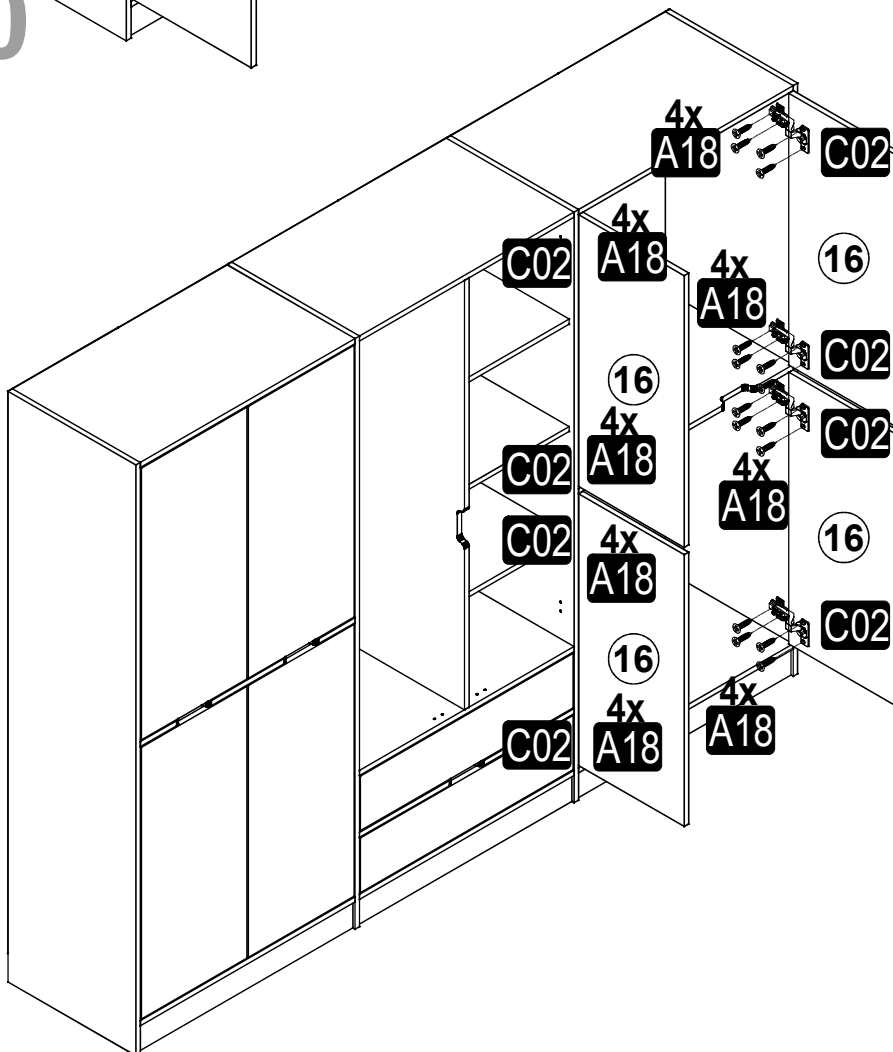
18



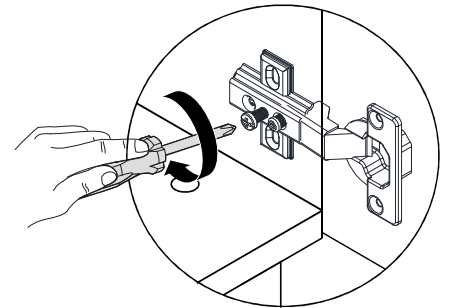
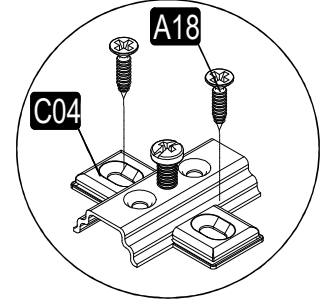
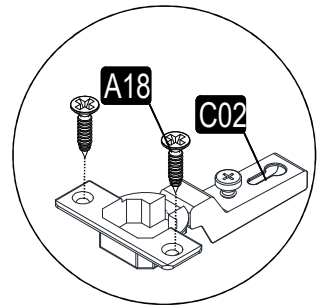
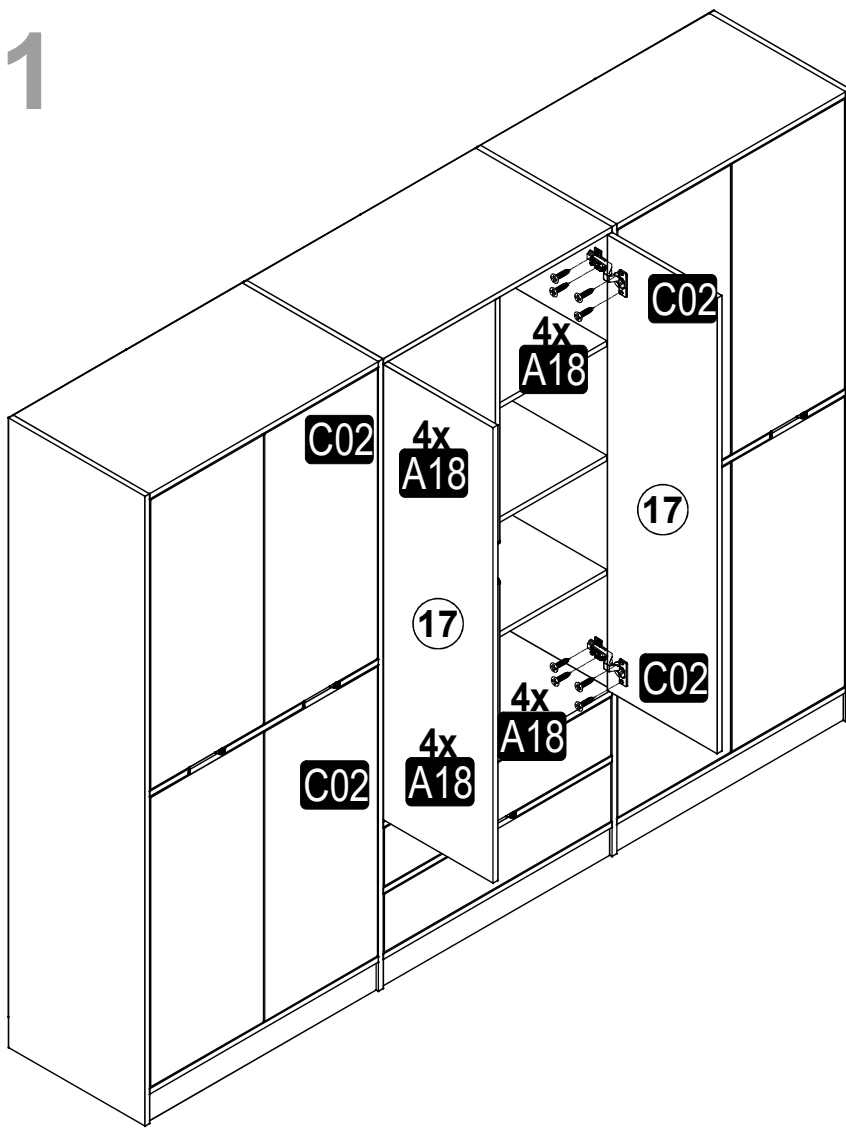
19



20



# 21



# 22

