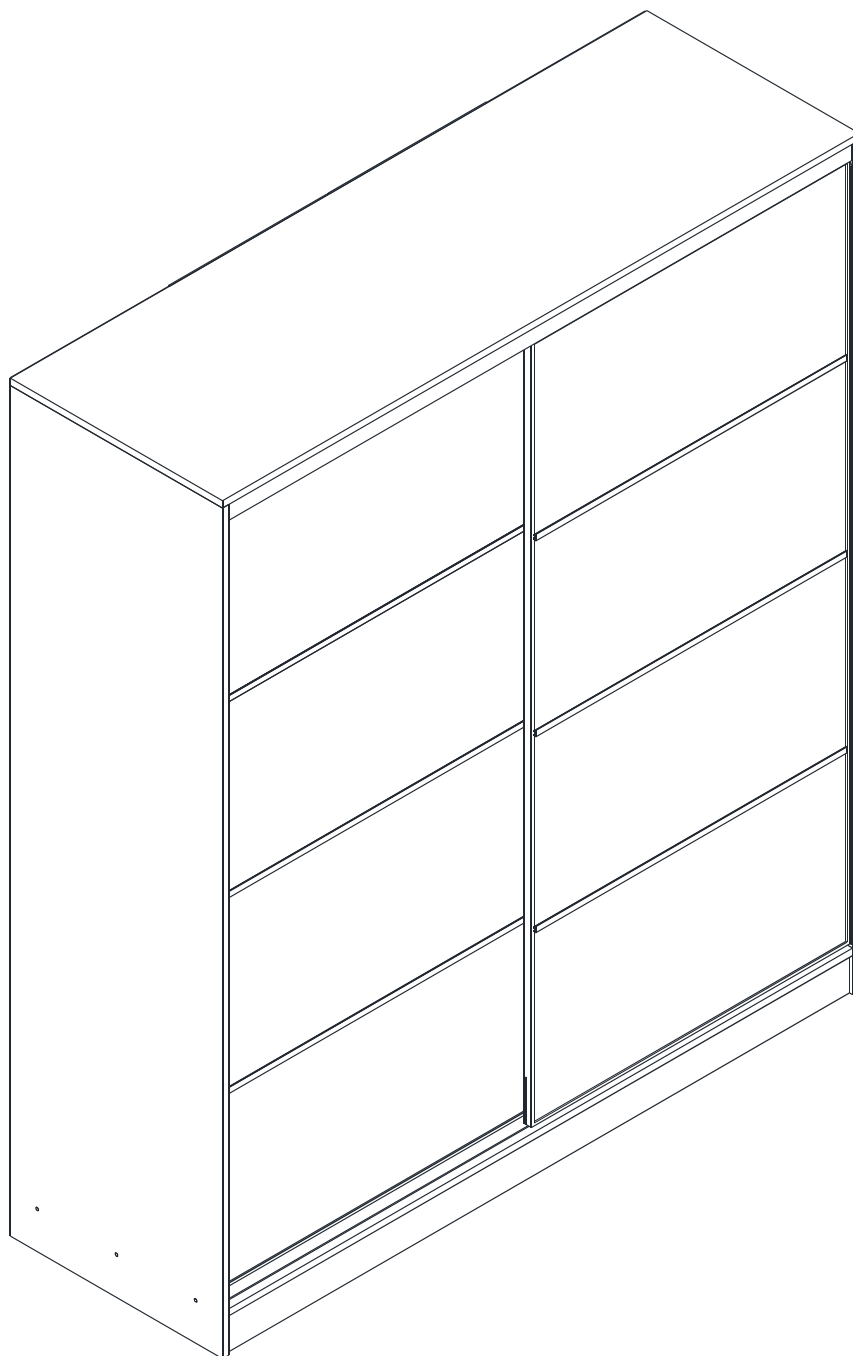


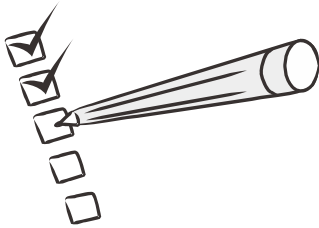
KALE



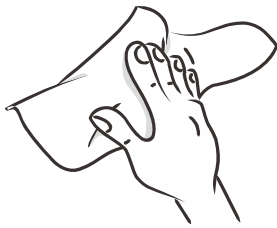
Dear Customer,

We design and produce our products for people to love and have fun with them as we do.

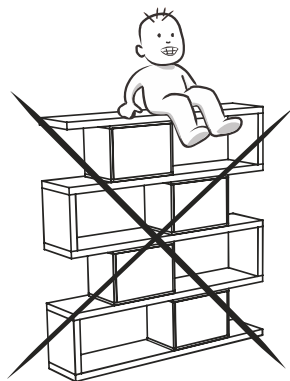
The product you bought was subjected to all sorts of tests and control before sending out to you.



Before start assembling, please check the whole components and accessories according to the lists. If you bought more than one product, to prevent confusion be sure that you completed the first product. Then start the other product's assembling.



Before start assembling, please clean all the components with a damp cloth. Also for usual cleaning, this will be enough.

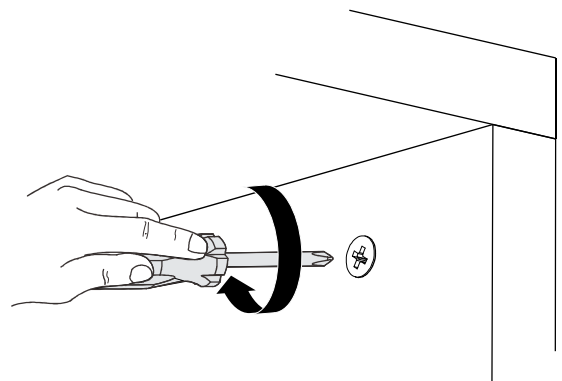
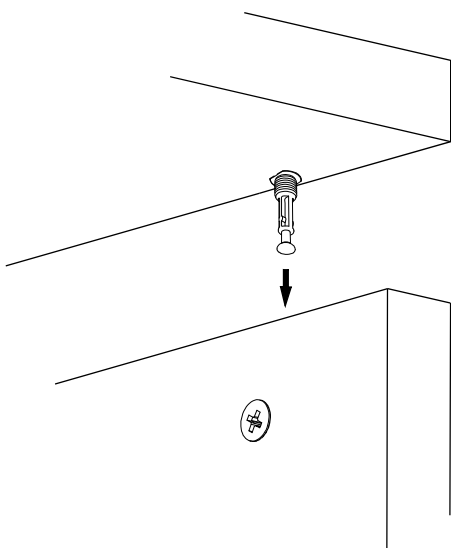
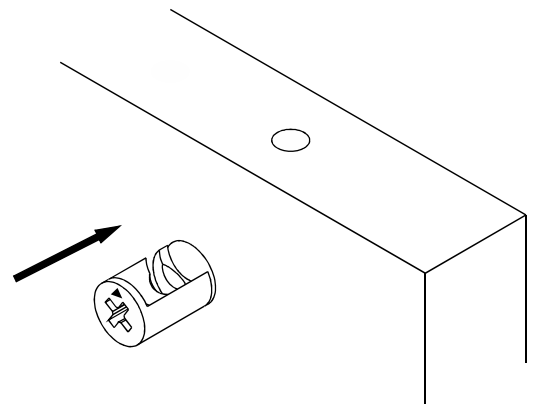
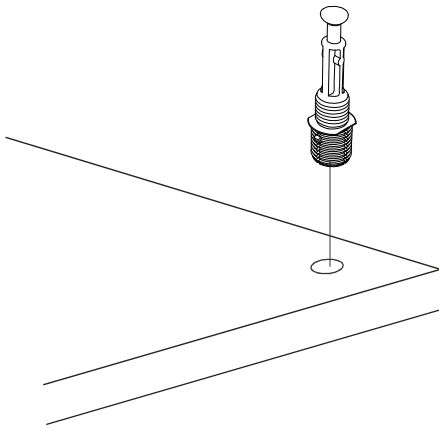
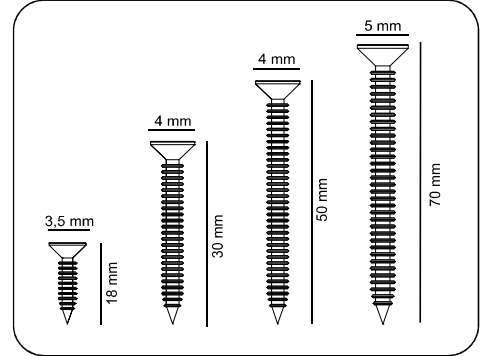
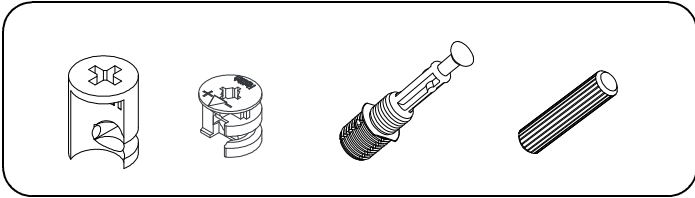


Do not use your furniture for out of purposes. If you would like to use it, please contact us for further questions.

Do not directly contact your furniture with excessive heat, cold and humidity because the product can be affected..

ATTENTION !!

Minifix is the main connection material used in products. Before starting assembly, please check the drawings below.

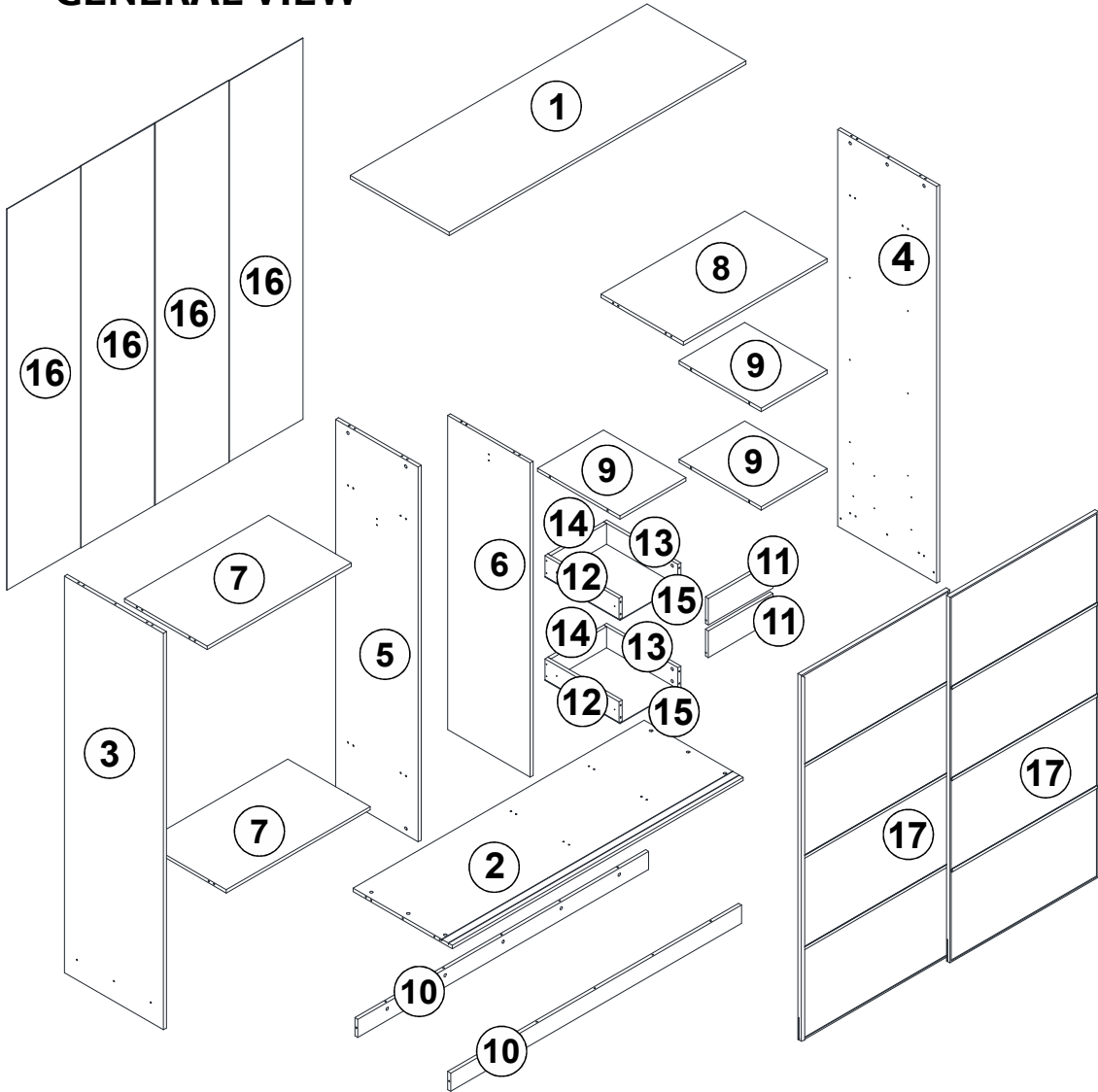


ACCESSORY LIST

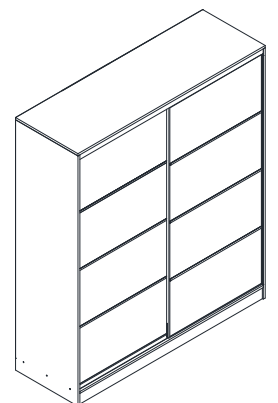
SÜRGÜLÜ CAM KAPAK

A23 Minifix M8 8x34 40x	A22 Minifix G18 15x14 50x	A04 PLSTK KVLV 8x30 32x	A18 YHB VD 3,5x18 68x	A17 YHB VD 4x50 8x
A49 YSB MVD 4x22 8x	D05 TLSKPK RAY 35x450 2x	A14 U Minifix 8x86 2x	A93 TK BŞL MNFX 6x	V10 RFIX 20x14 12x
V11 RFIX VD 5x13 12x	H15 ALM RAY 1764 mm 1x	H47 ERK SRG RY 1764mm 2x	H14 SRG FRN 4x	H16 SRG TKR 4x
A06 DORE 18 mm 40x	H17 PSTN PL 8x	A24 ASK FLNS 4x	A55 ASK BRS 445 mm 1x	A55 ASK BRS 863 mm 1x
A64 HARKLK CTS 1966 mm 2x	A48 ARKLK CVS 76x			

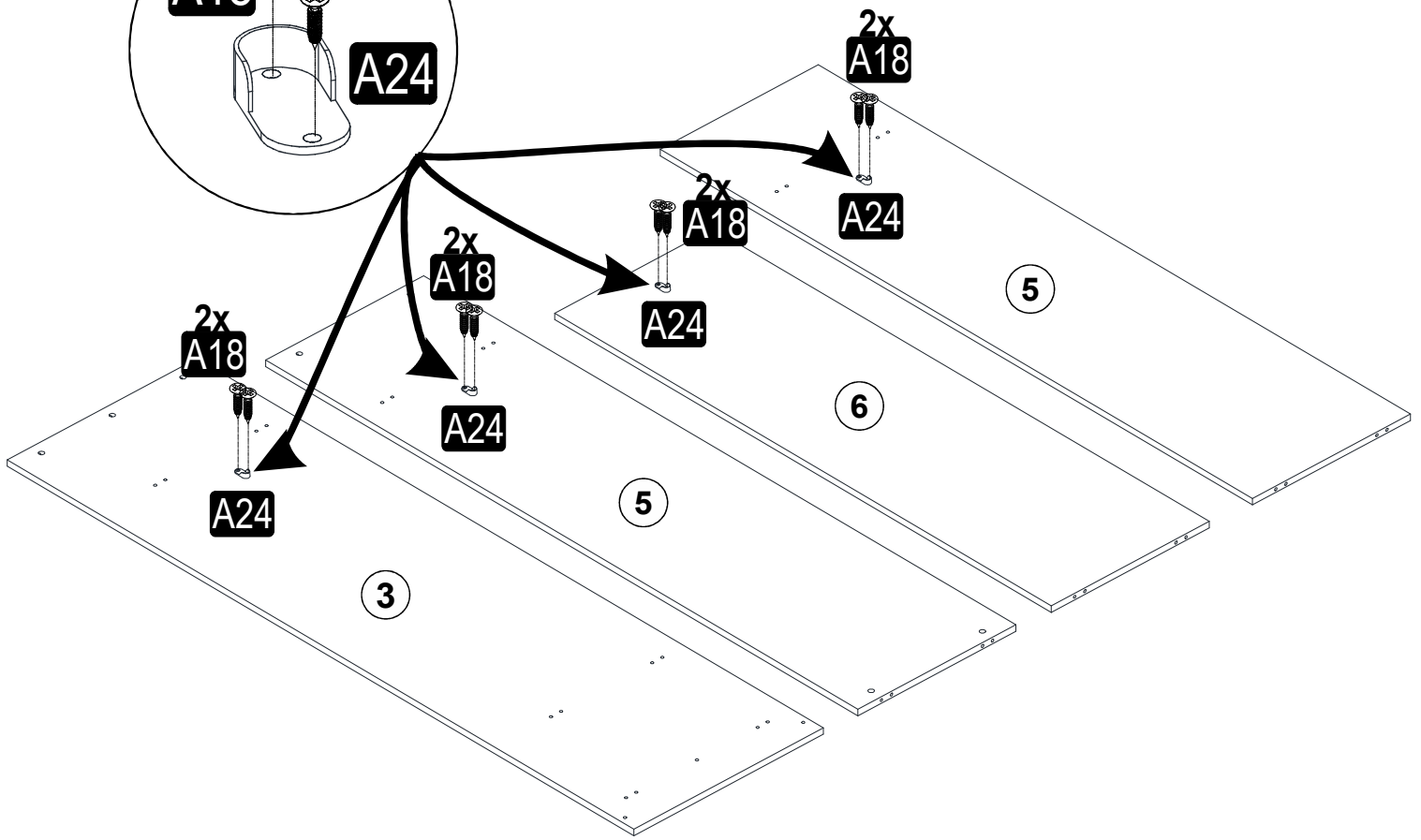
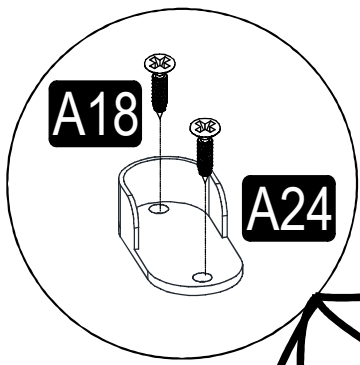
GENERAL VIEW



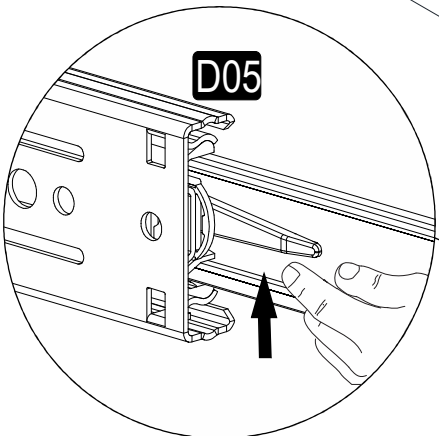
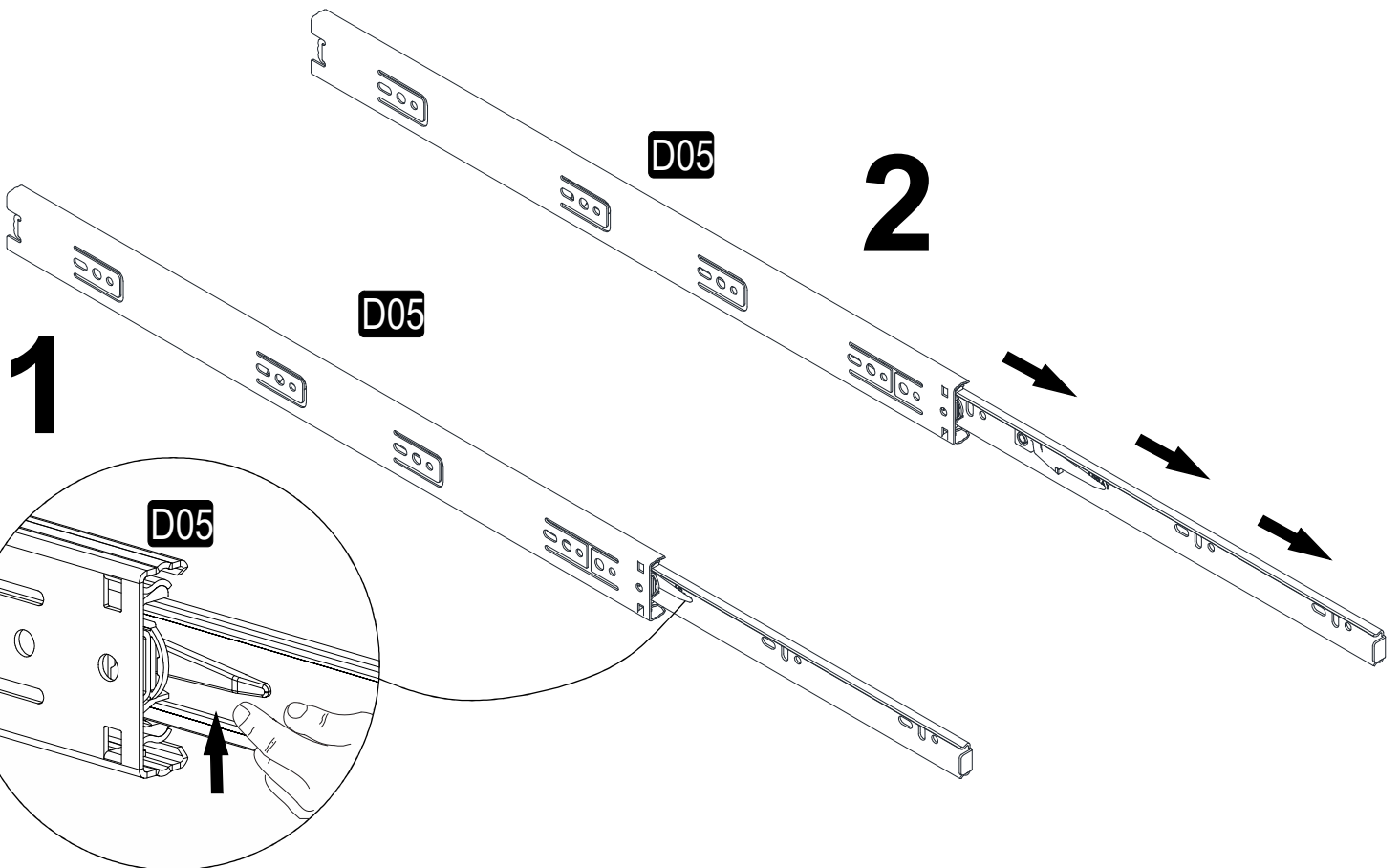
.01	1	1800	600	18
.02	1	1764	600	18
.03	1	2082	600	18
.04	1	2082	600	18
.05	1	1968	500	18
.06	1	1650	500	18
.07	2	873	500	18
.08	1	873	500	18
.09	3	500	400	18
.10	2	1764	96	18
.11	2	392	140	18
.12	2	450	110	18
.13	2	450	110	18
.14	2	338	110	18
.15	2	455	374	3
.16	4	2000	447	3
.17	2	1920	900	20



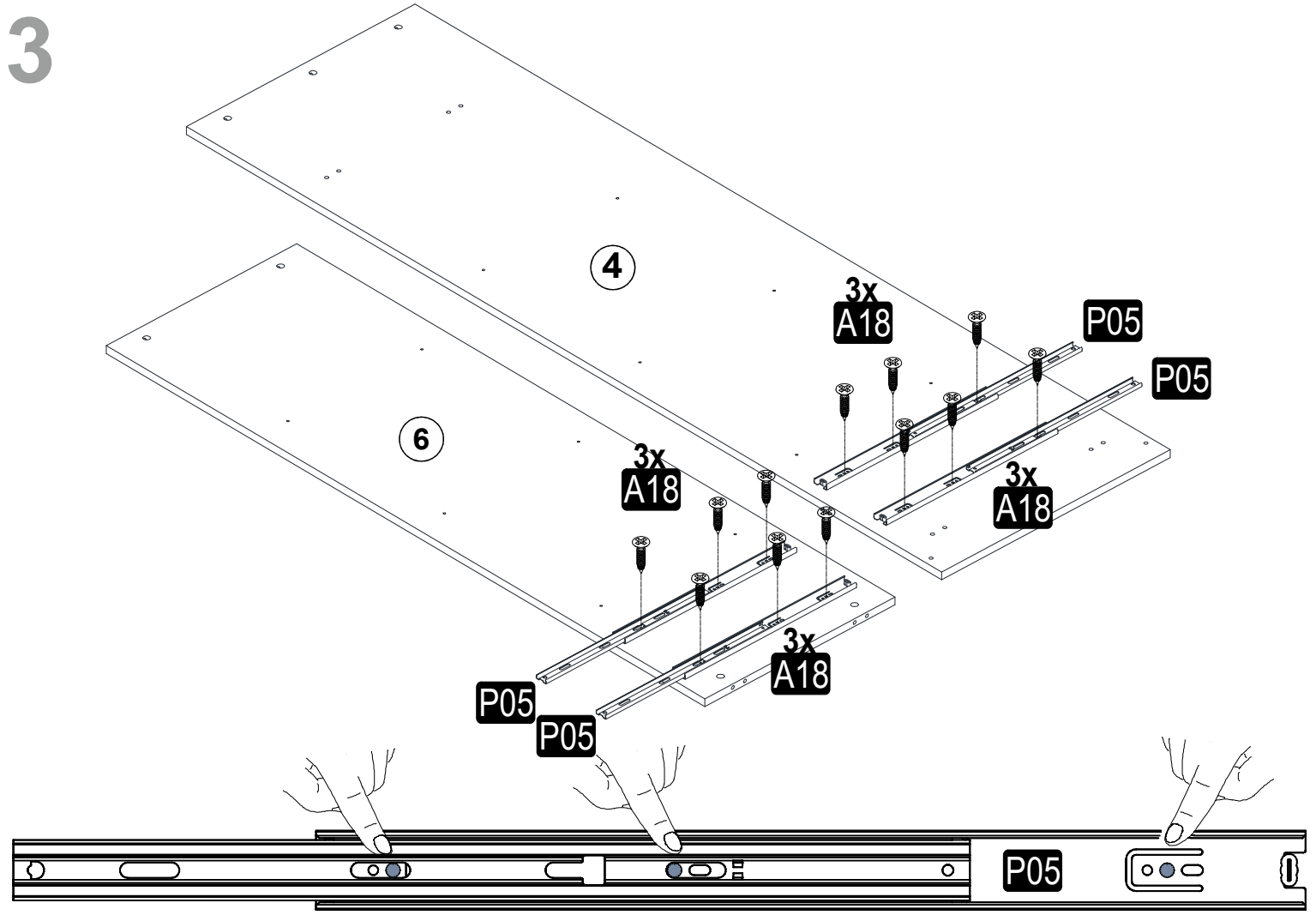
1



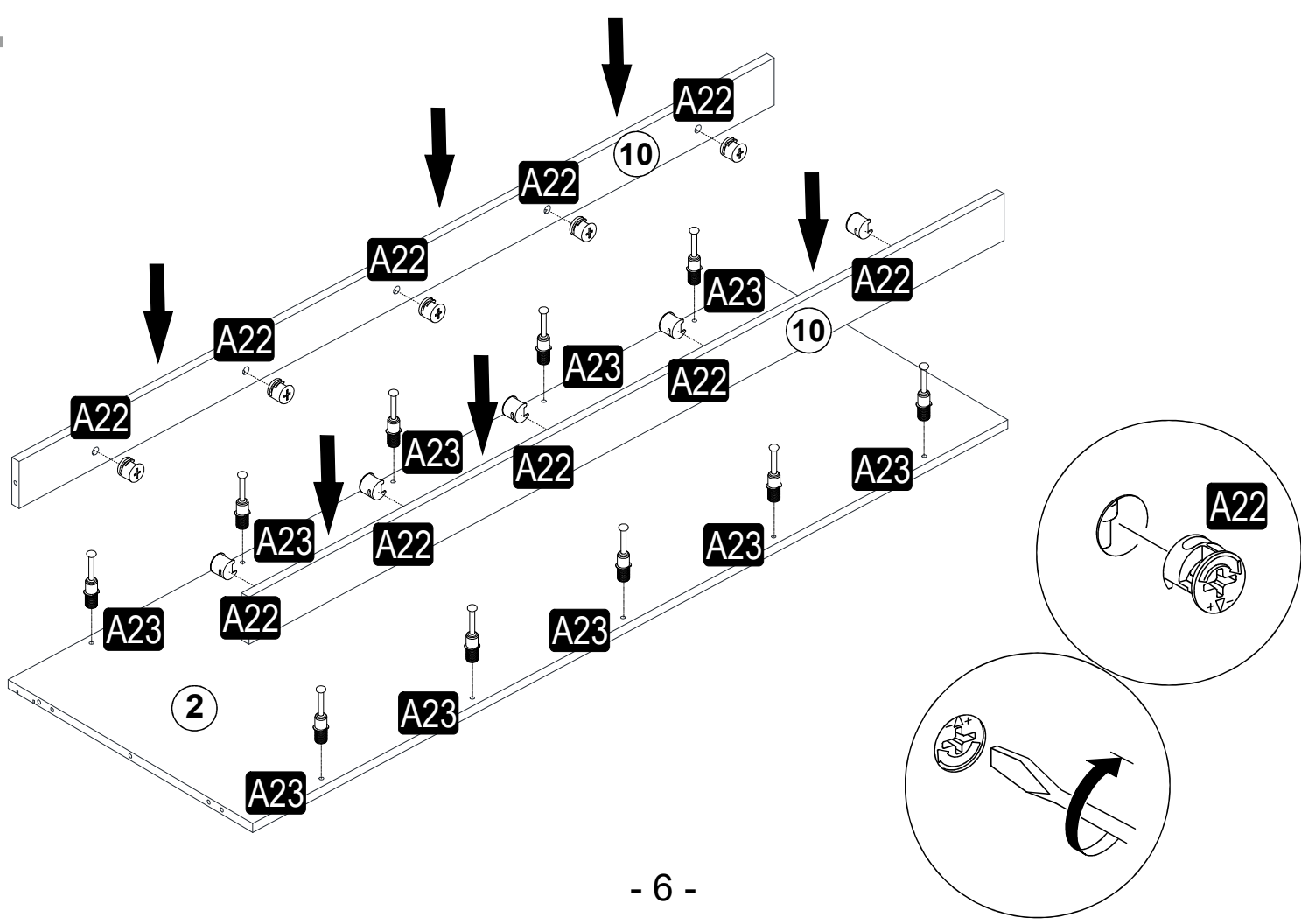
2



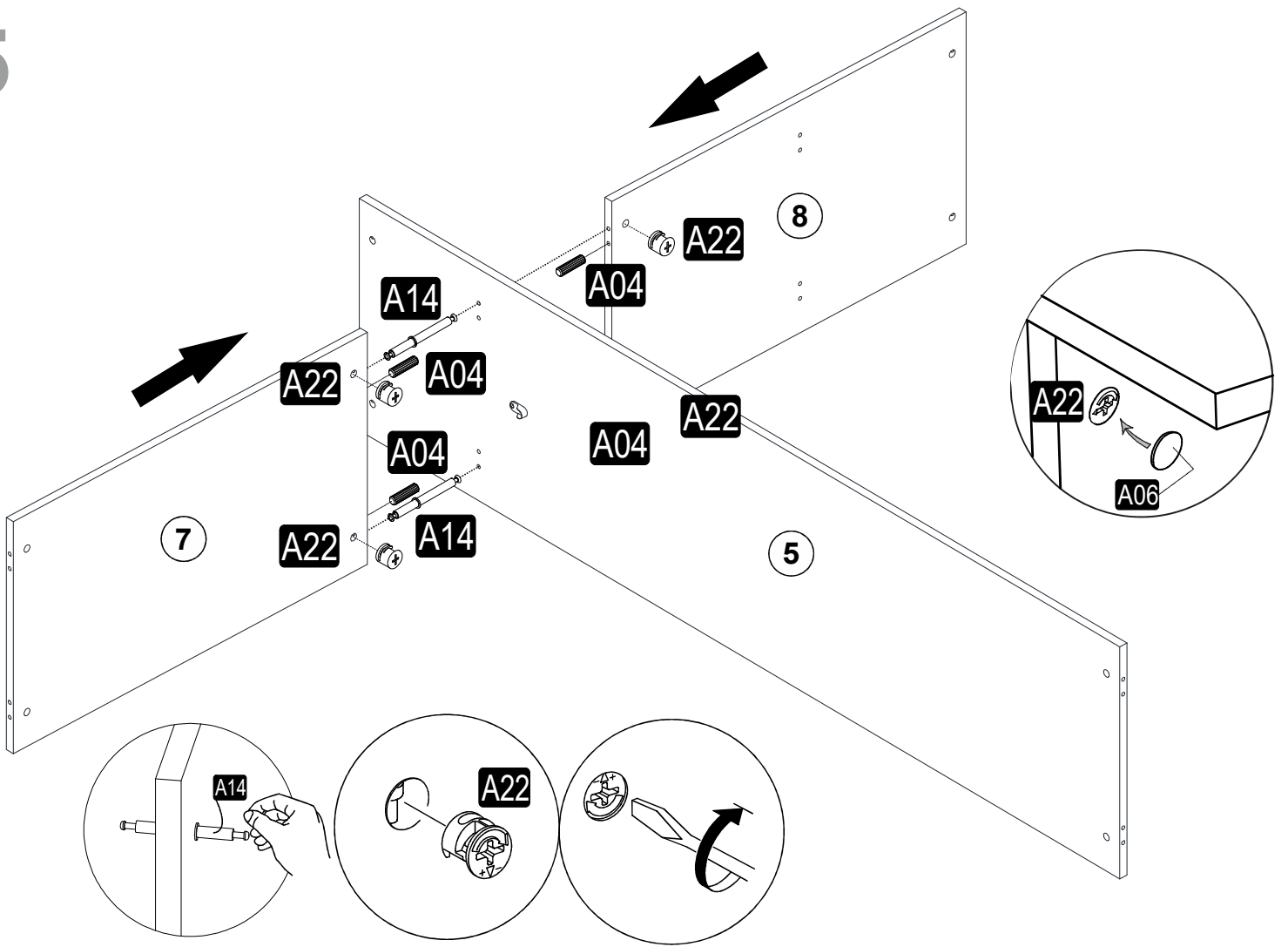
3



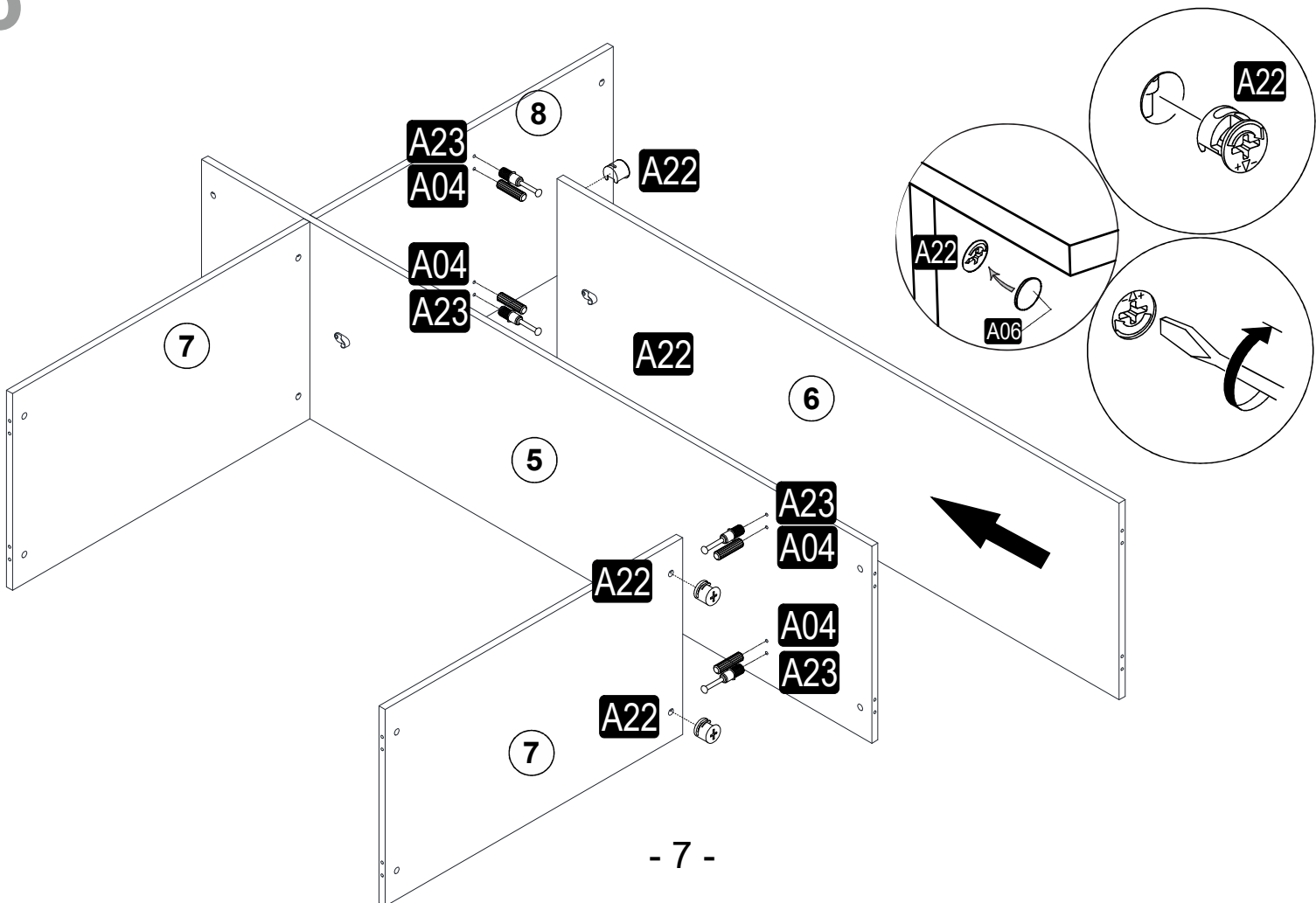
4



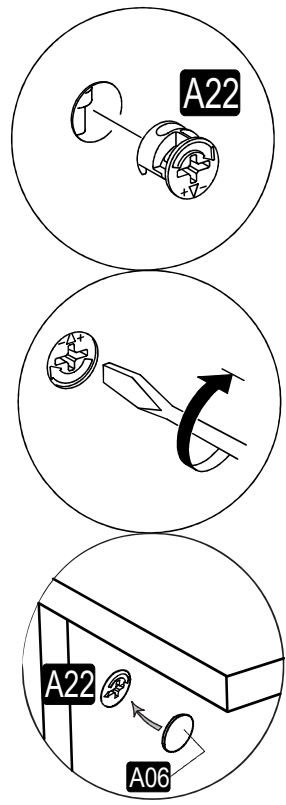
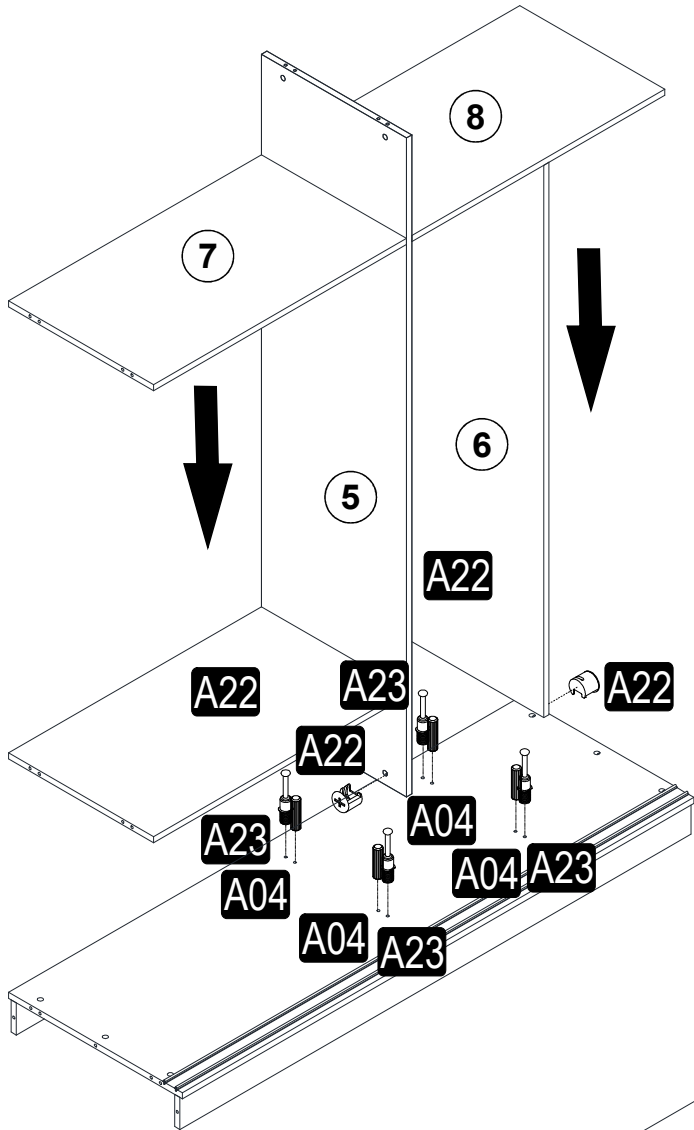
5



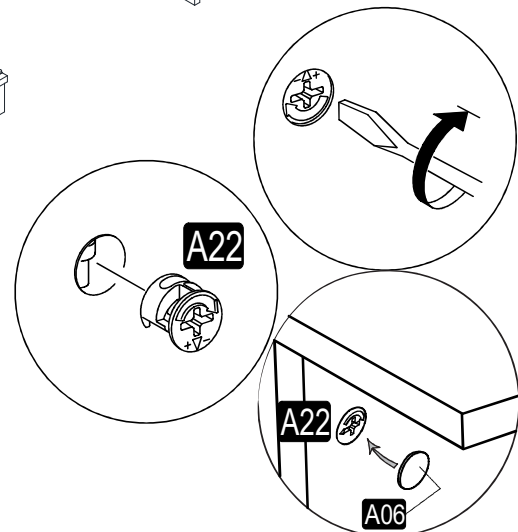
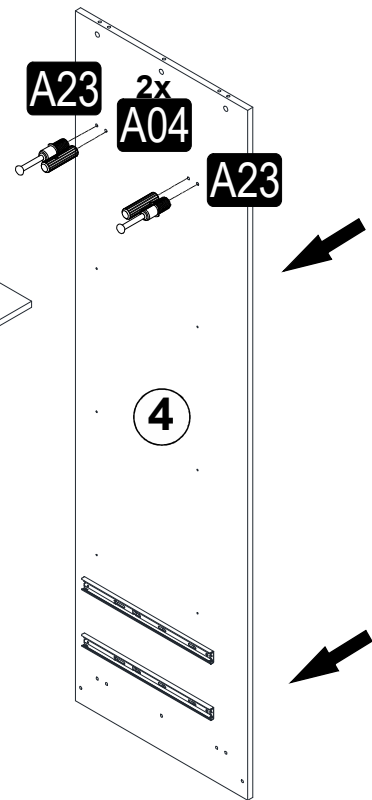
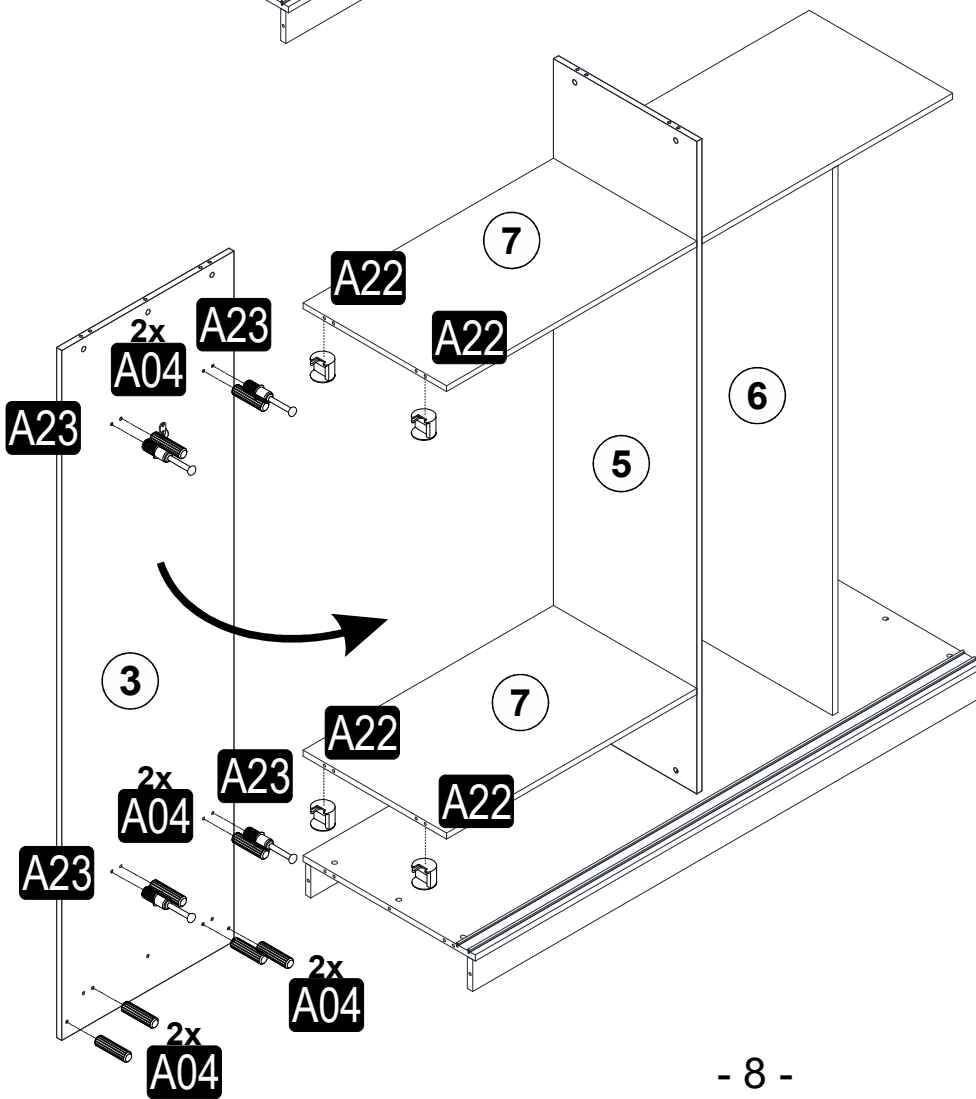
6



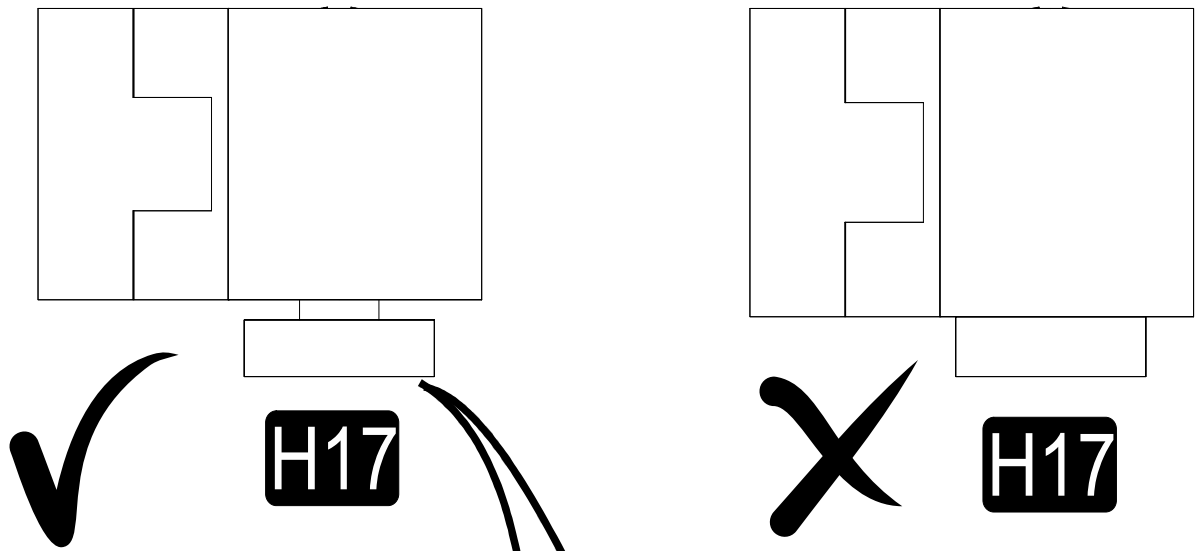
7



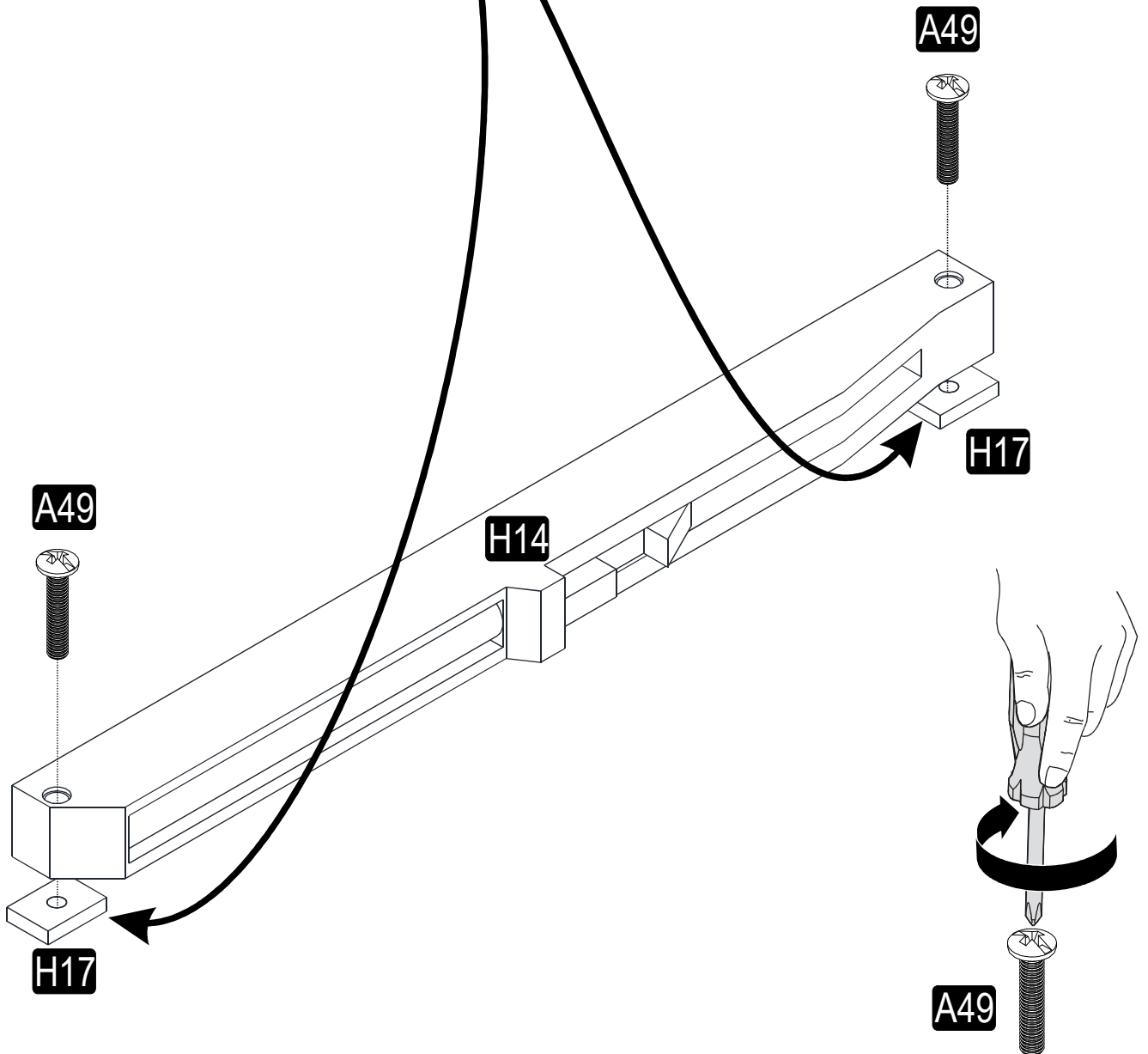
8



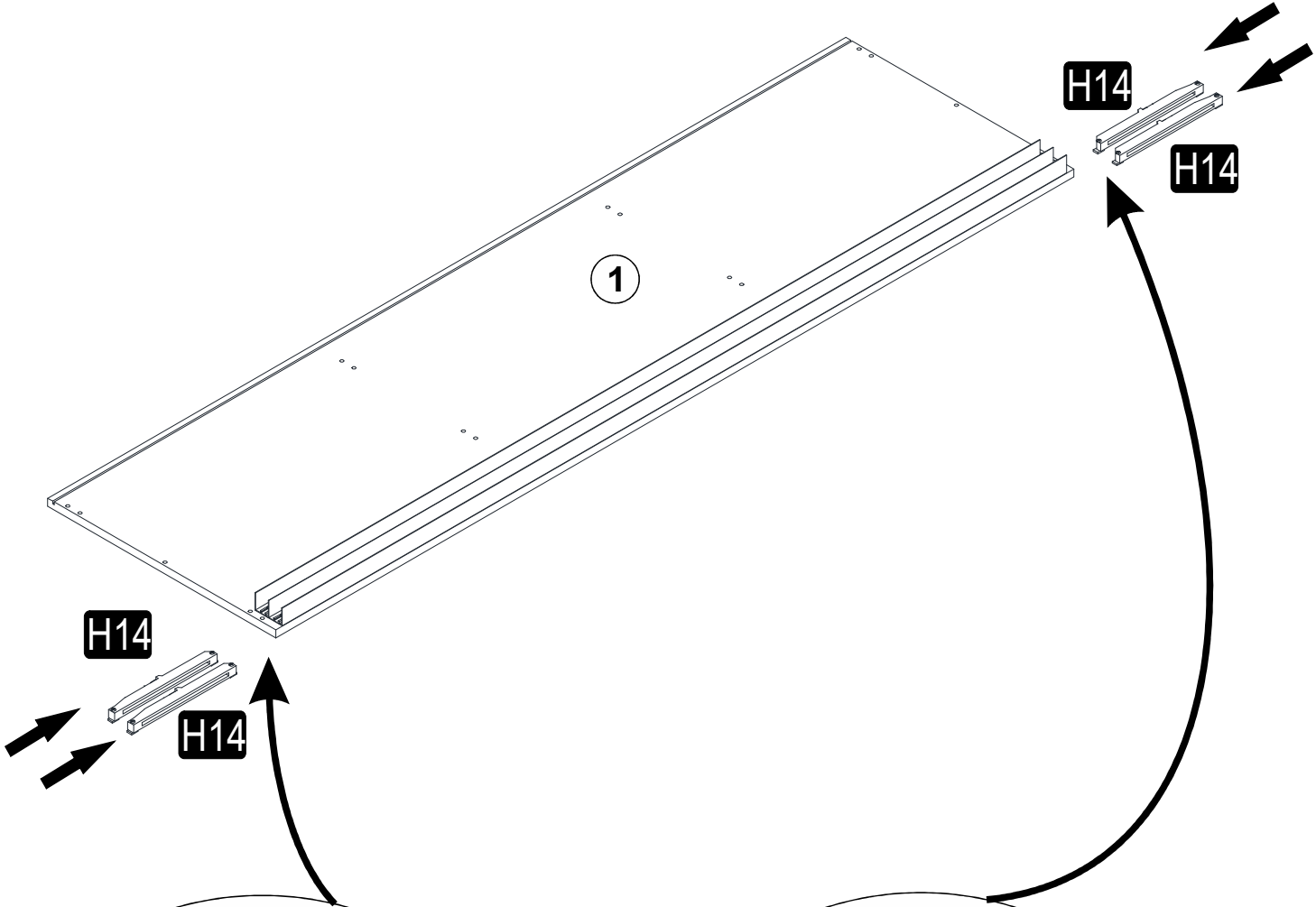
11



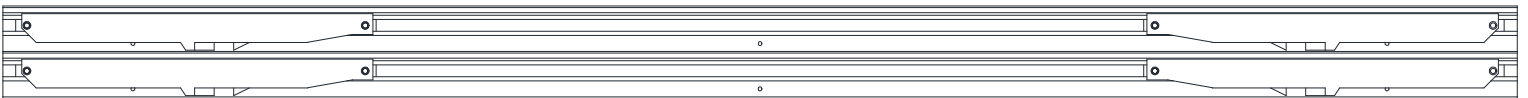
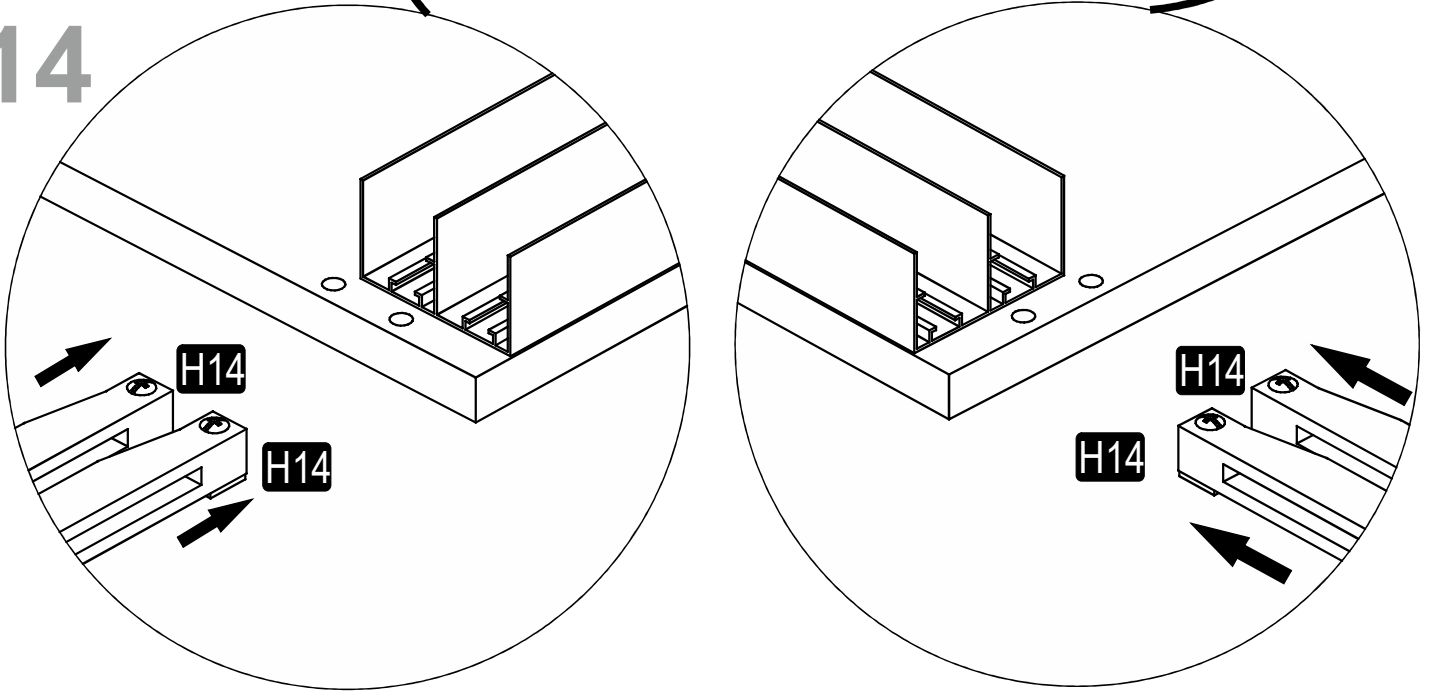
12



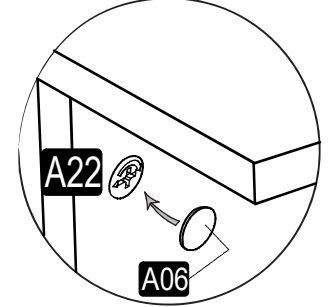
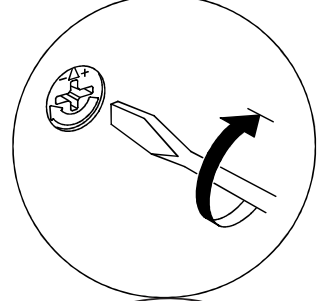
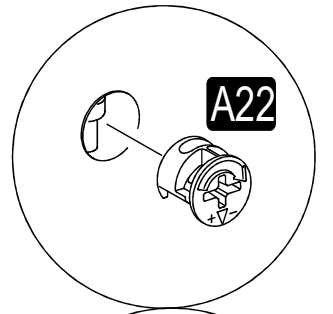
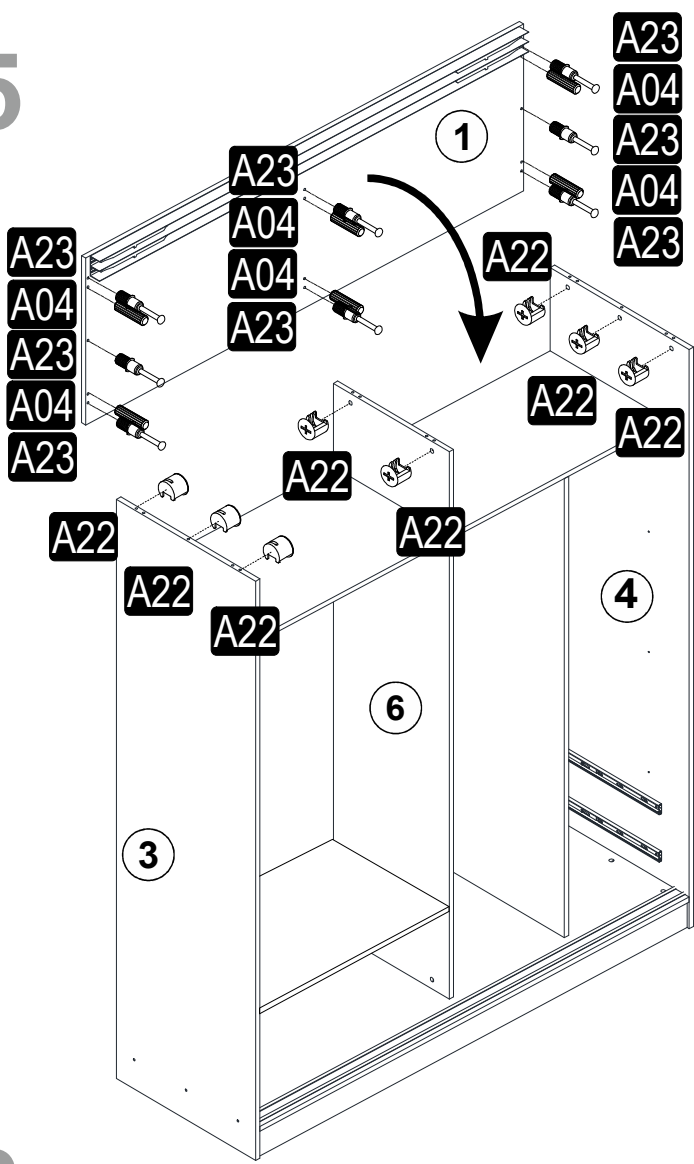
13



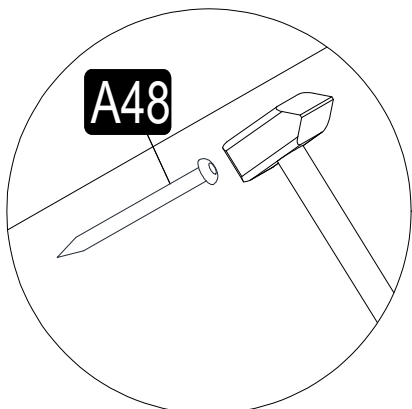
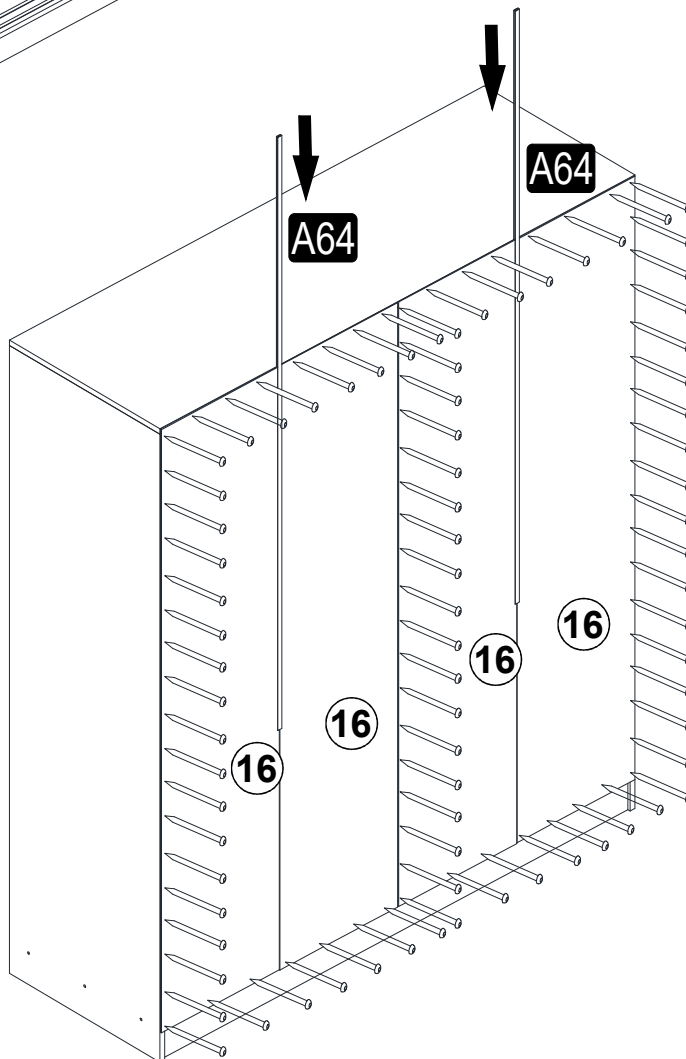
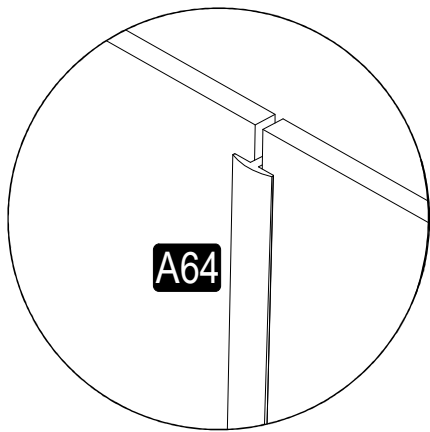
14



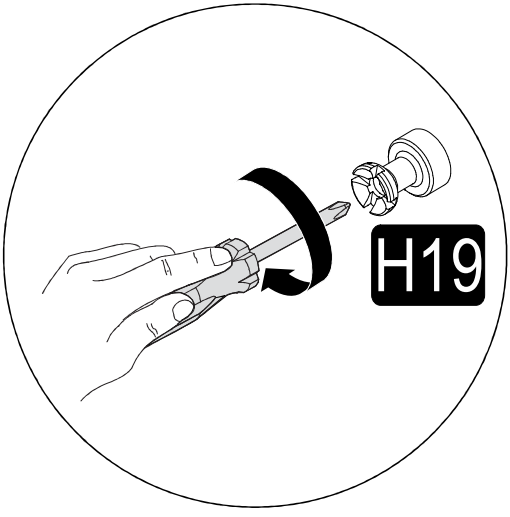
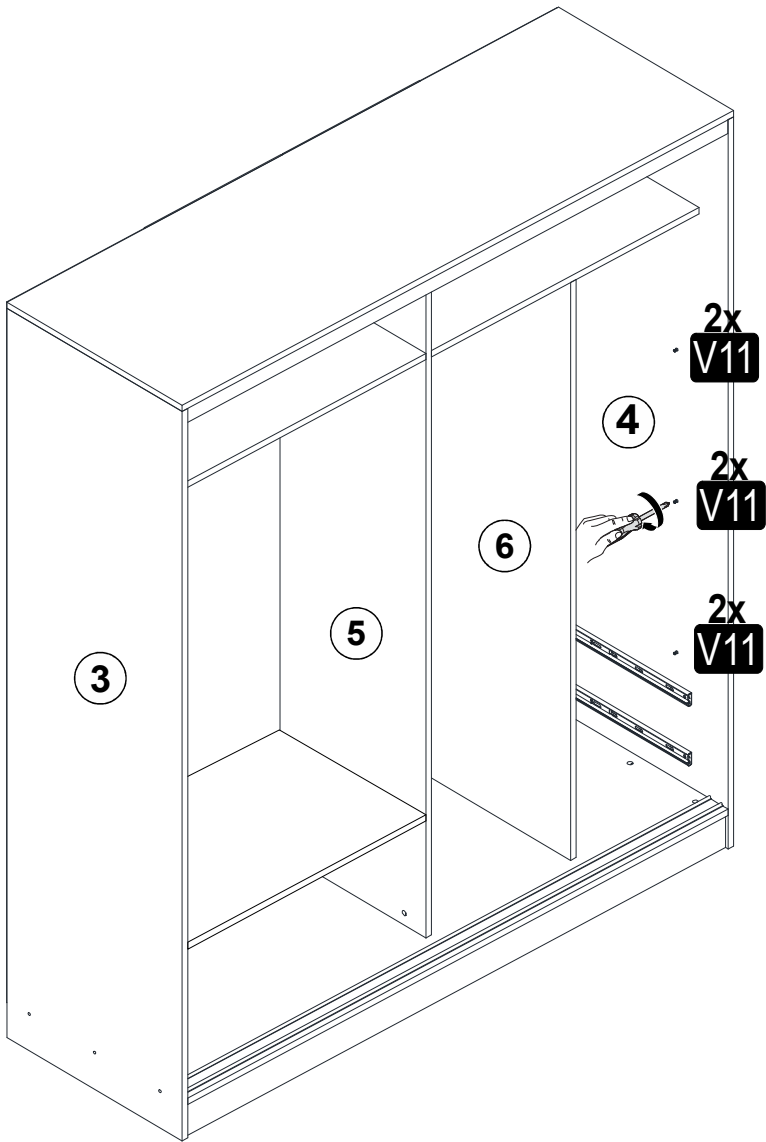
15



16

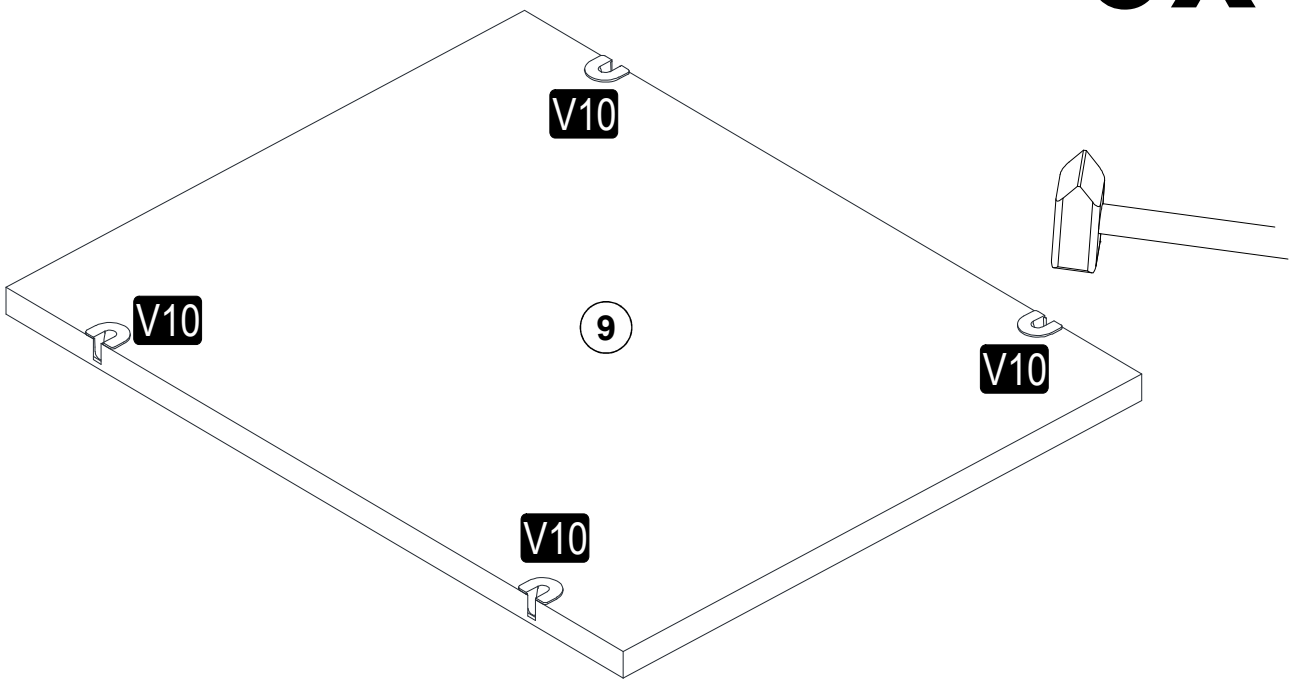


17

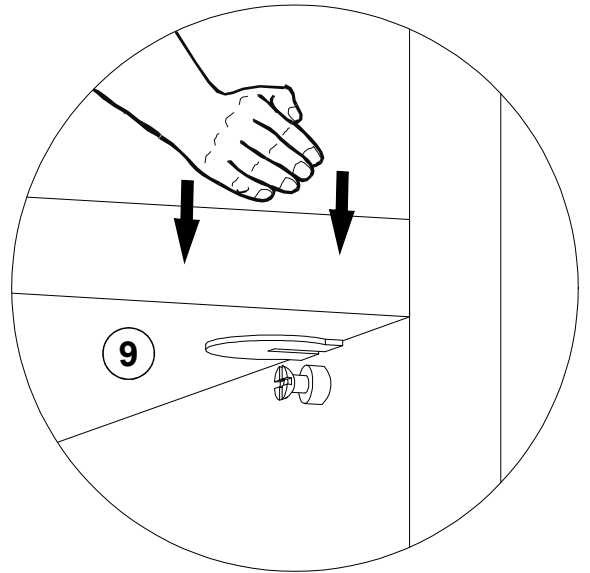
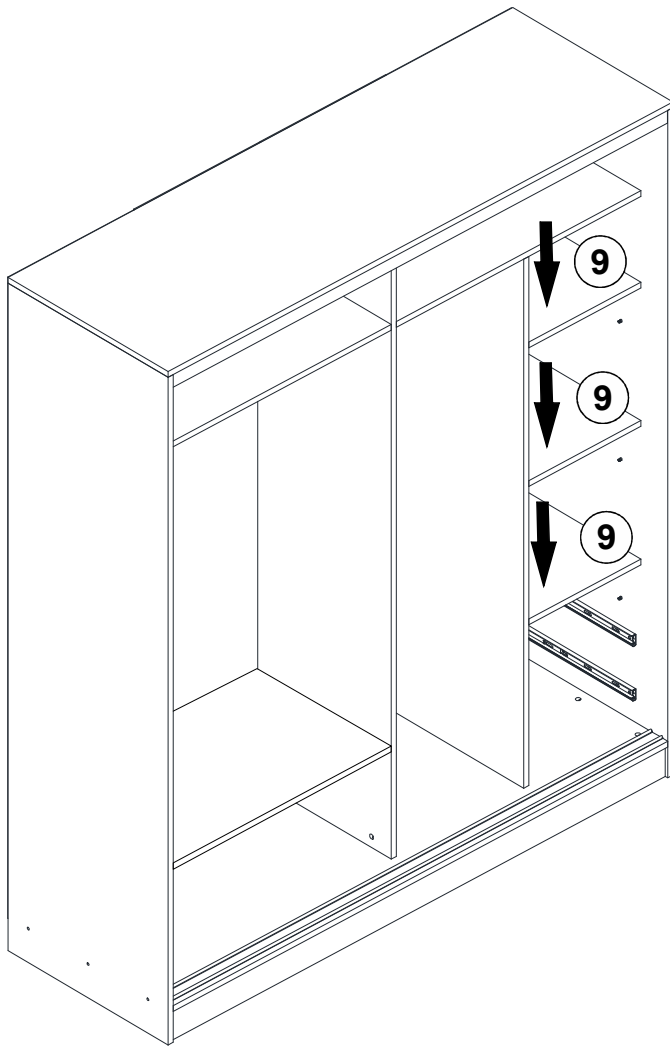


18

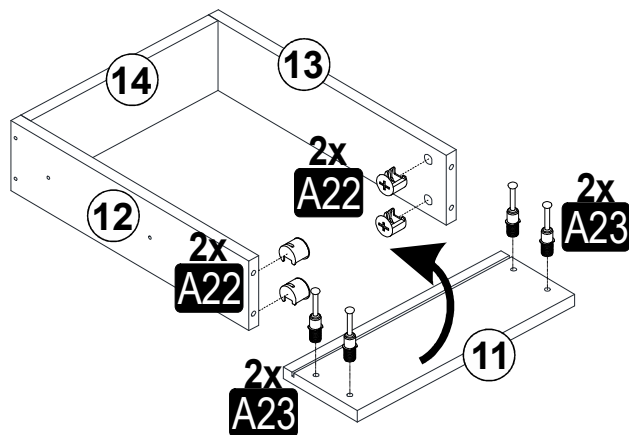
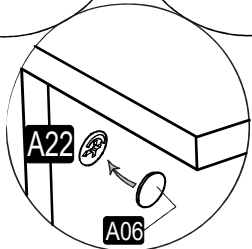
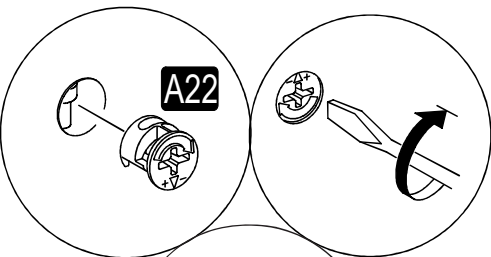
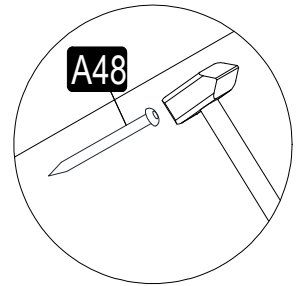
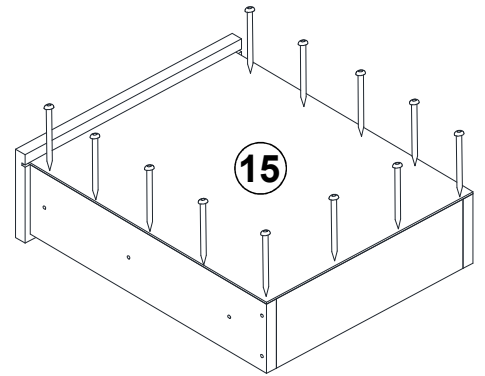
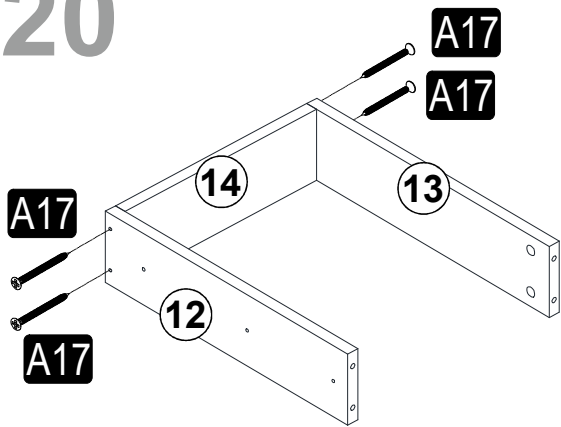
3x



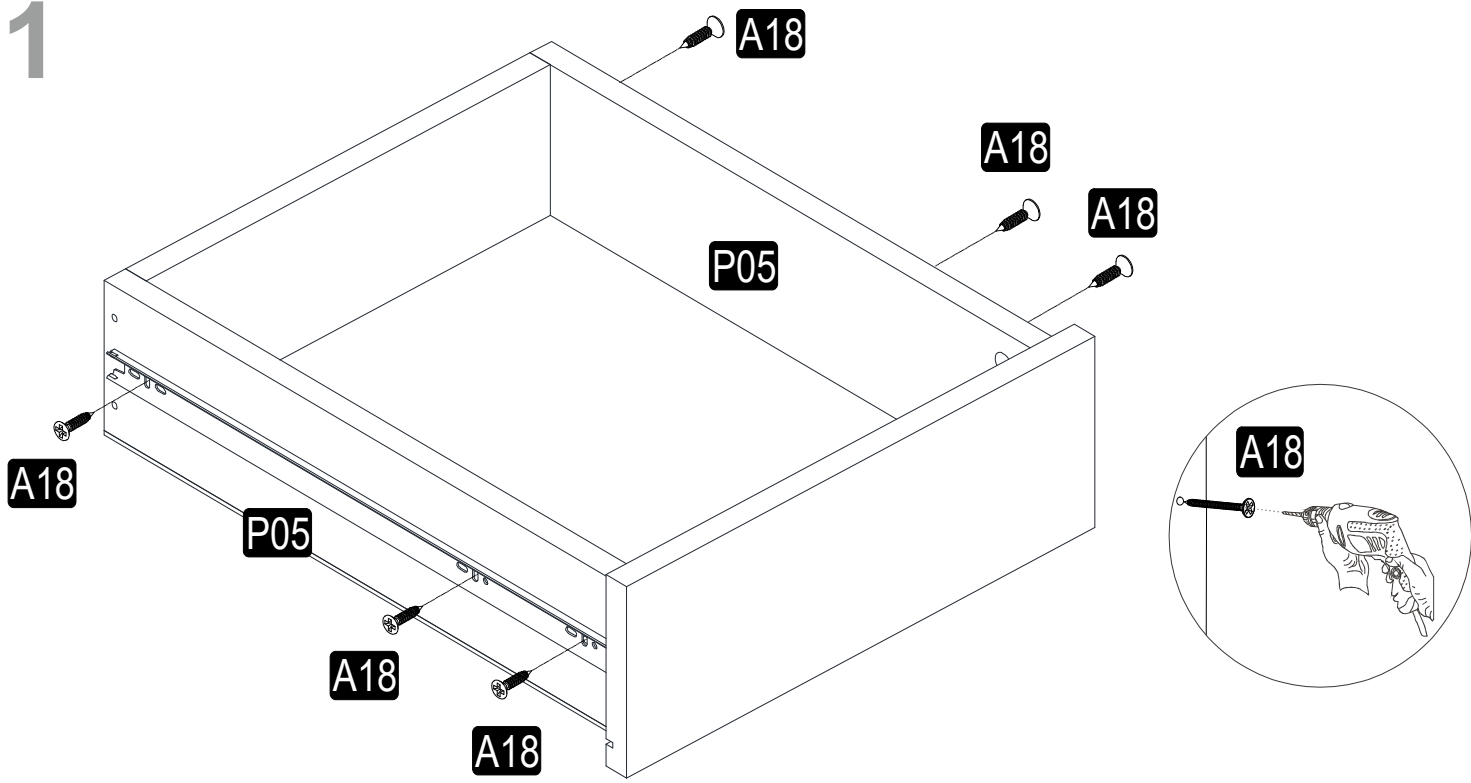
19



20

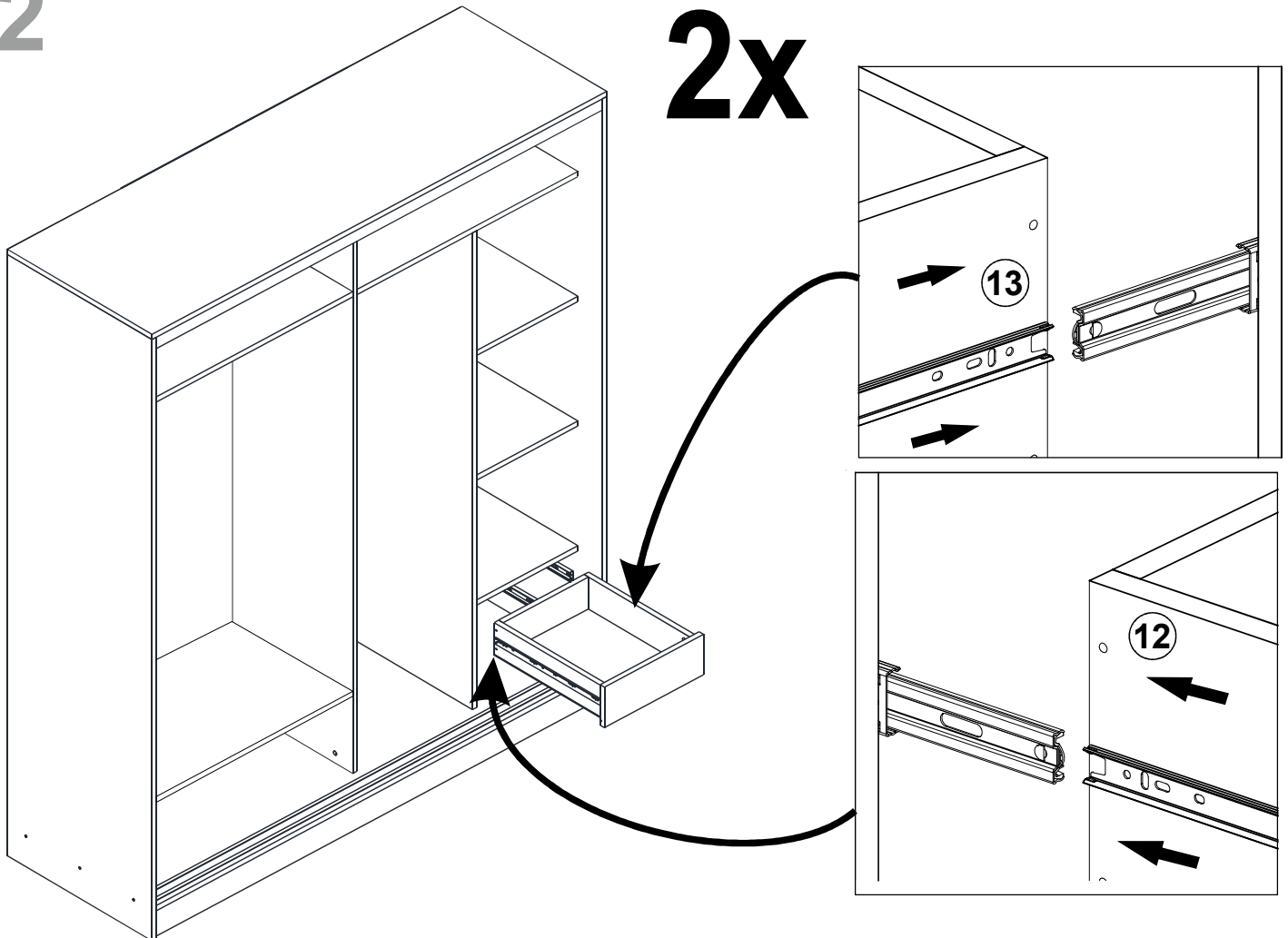


21

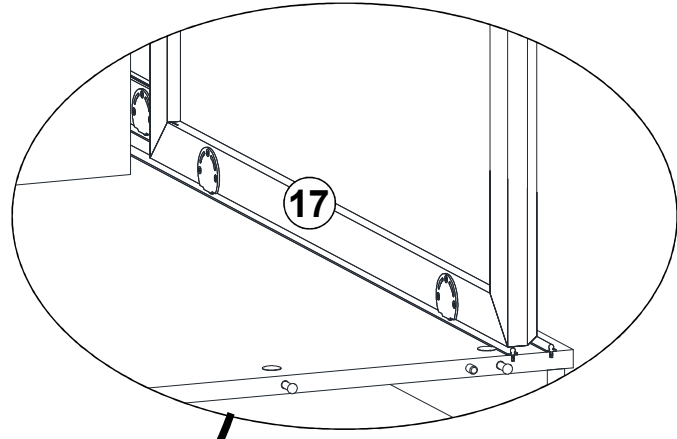
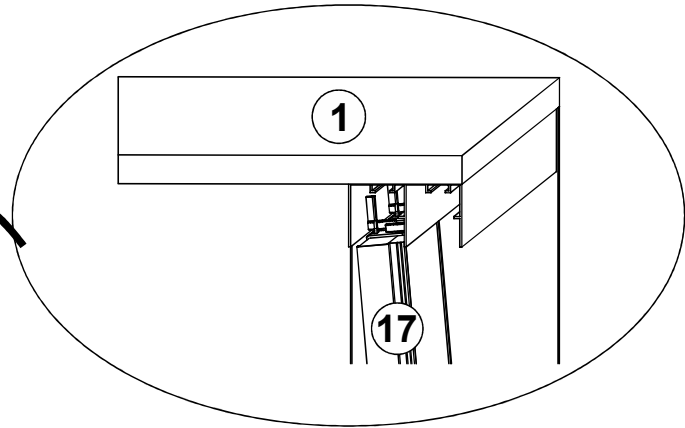
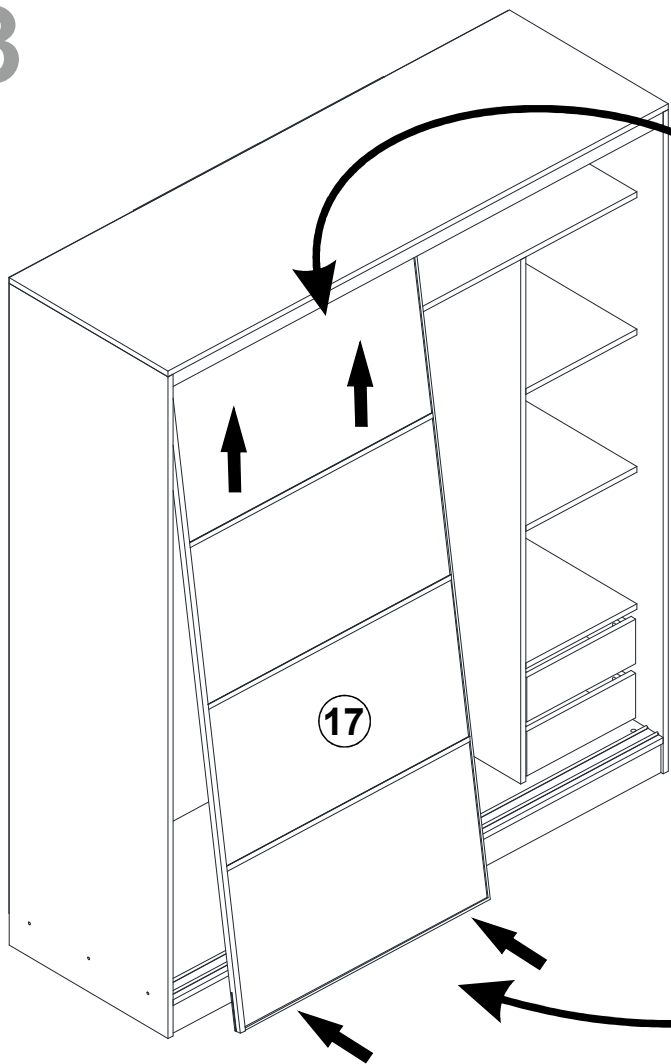


22

2x



23



24

