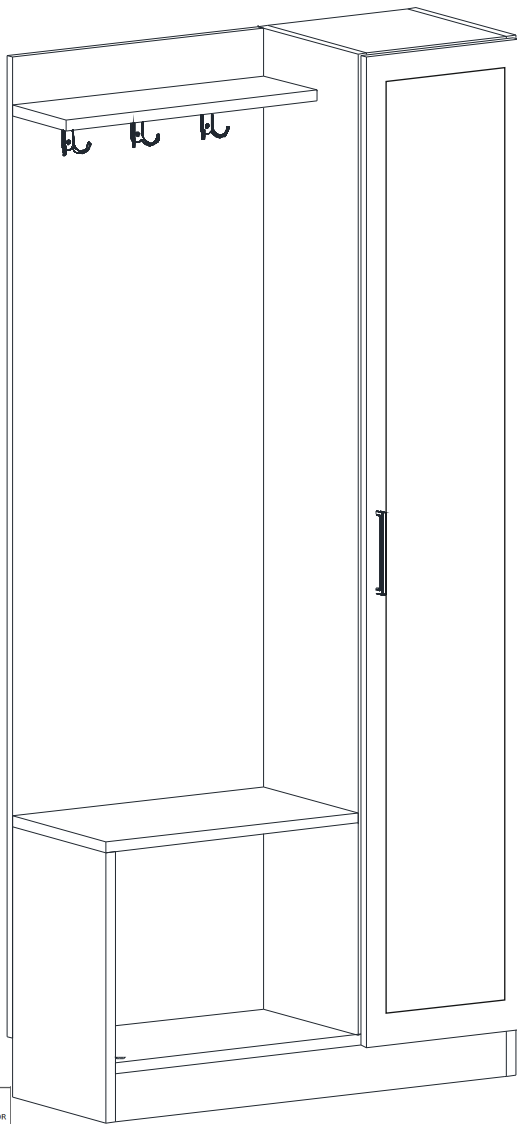
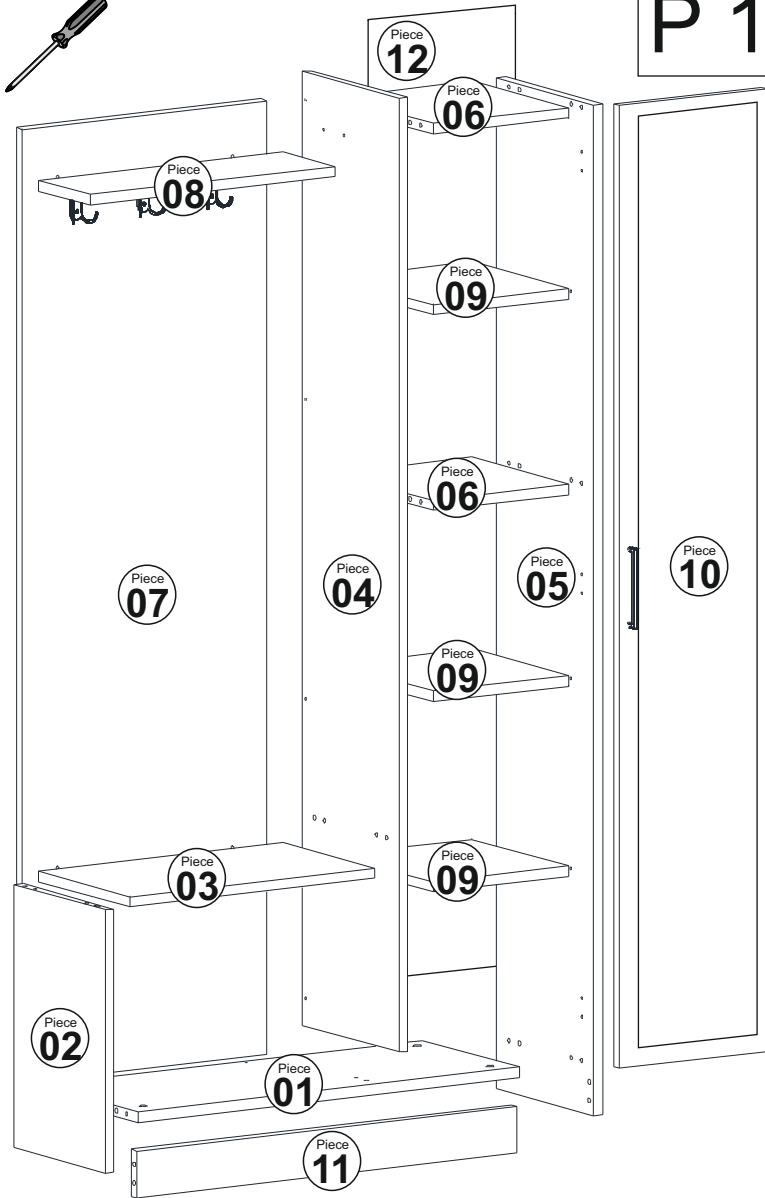


# Assembly Manual

# Orion Hallstand



The necessary tools (not included)



## ACCESSORY LIST

<p>Minifix Head A01 18x</p>	<p>Minifix Screw A02 18x</p>	<p>Dowel A03 22x</p>	<p>Pim A40 12x</p>	<p>Hanger A35 3x</p>
<p>Hinge A12 3x</p>	<p>Hinge A13 3x</p>	<p>4x50 Screw A11 13x</p>	<p>128 mm Handle A18 1x</p>	<p>Nail A28 16x</p>
		<p>3,5x18 Screw A10 18x</p>		

## ASSEMBLY PIECES

NO	Lenght	Widht	Thick	PCS
1	764	300	18	1
2	450	282	18	1
3	491	282	18	1
4	1632	300	18	1
5	1730	300	18	1
6	273	300	18	2
7	1632	491	18	1
8	491	160	18	1
9	273	280	18	3
10	1647	297	18	1
11	764	80	18	1
12	1645	300	3	1

Dear Customer,

The product you bought was subjected to all sorts of test and control before sending out to you. Even in this situation, sometimes happen that some component is damaged durin the transportation. In such please do not sent the whole article back us. Just request/order the damaged part. While requesting the required part, describe it exactly by looking to service card. Missing part will be sent you as soon as possible. Before start assembling, please check the whole components and accessories according to the lists. After being sure that every part and accessory are okay and right, start assembling. Before start assembling, please clean all the components with a damp cloth. If you bought more than one product, to prevent confusion be sure that you completed the first product. Then start the other product's assembling.

Never drag the products. While carrying, disassociate and lift the product and carry with minimum 2 people. For long distances carry the product with the package.

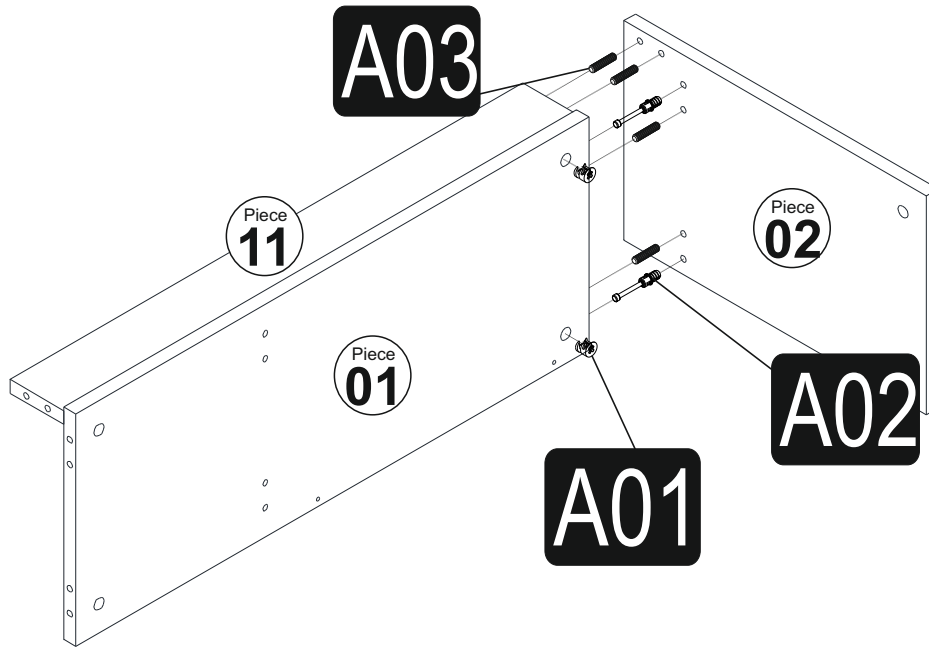
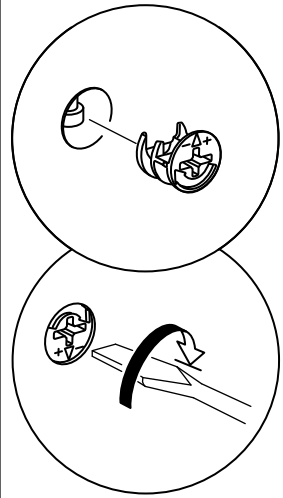
It is very easy to clean the surfaces of your product. It is enough to wipe a damp and soapy cloth or other household cleaners.

Do not directly contact your furniture with excessive heat, cold and humidity because the product can be affected.

Do not use your furniture out of purposes.

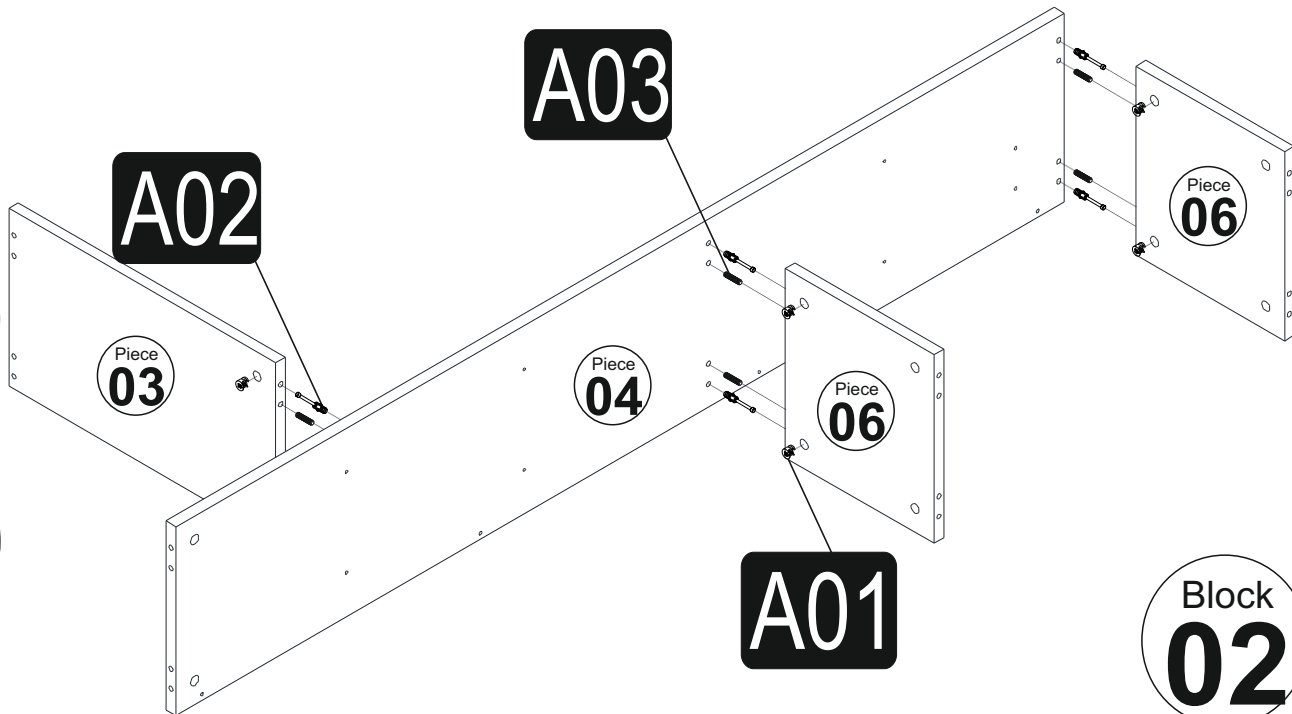
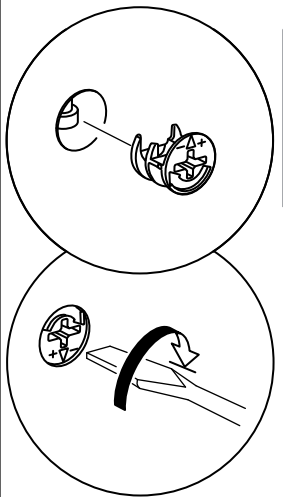
## 1. Step

P 2



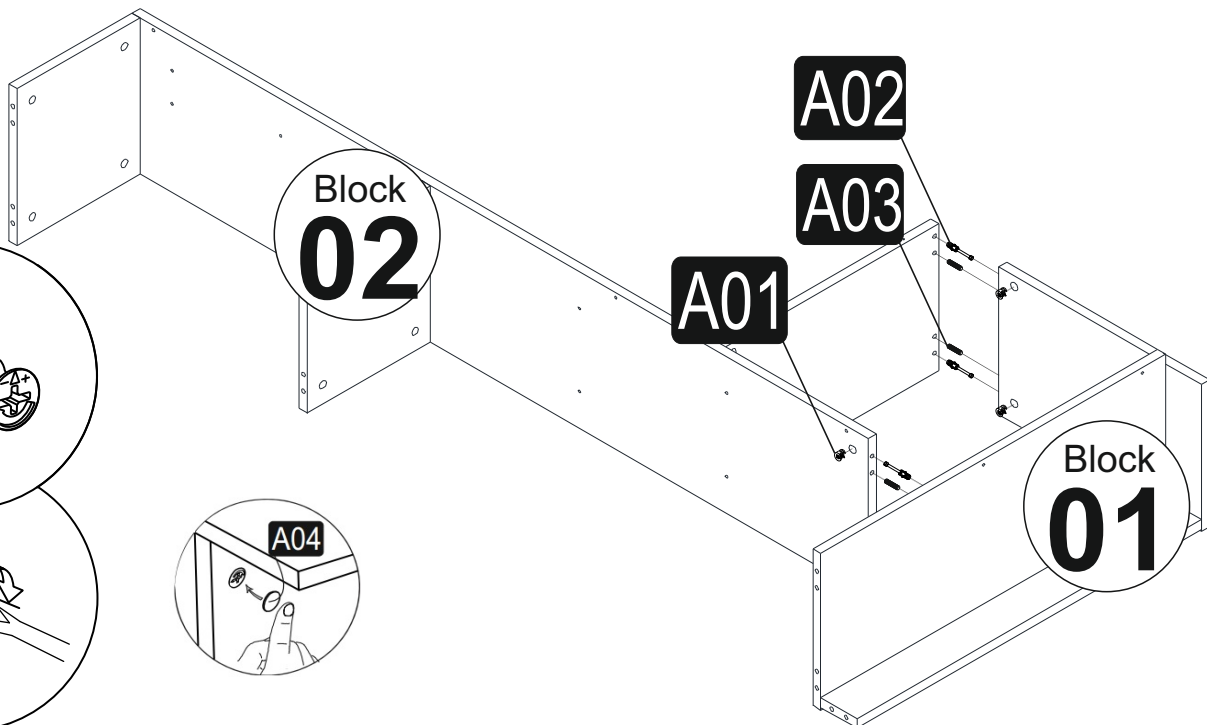
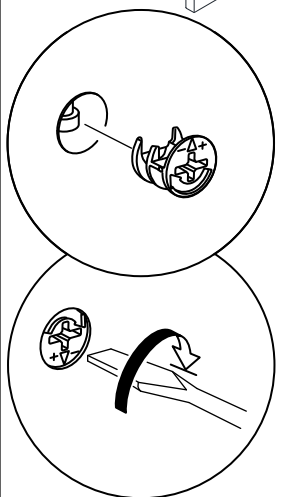
Block  
**01**

## 2. Step



Block  
**02**

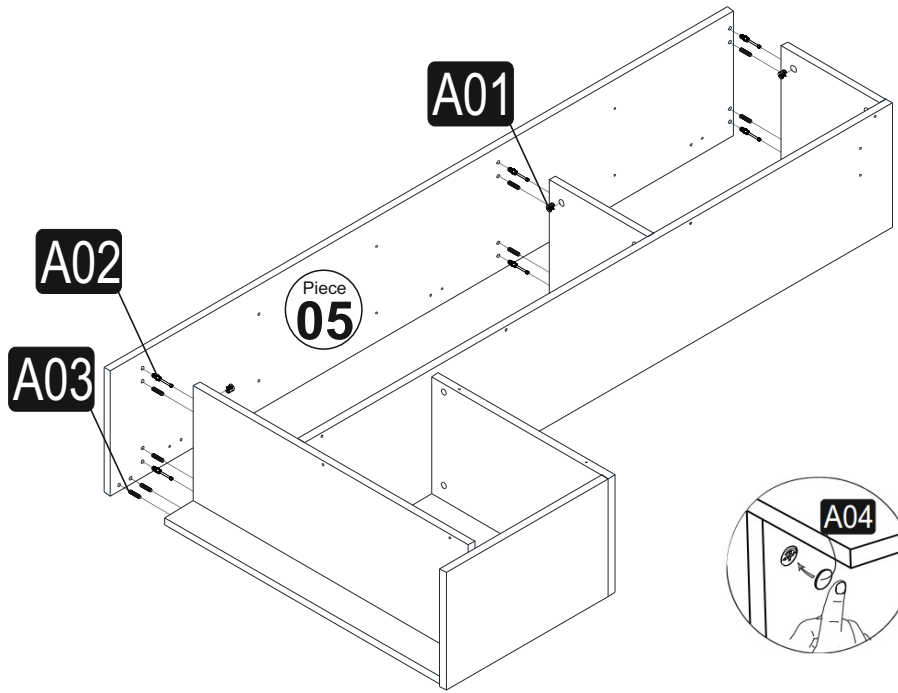
## 3. Step



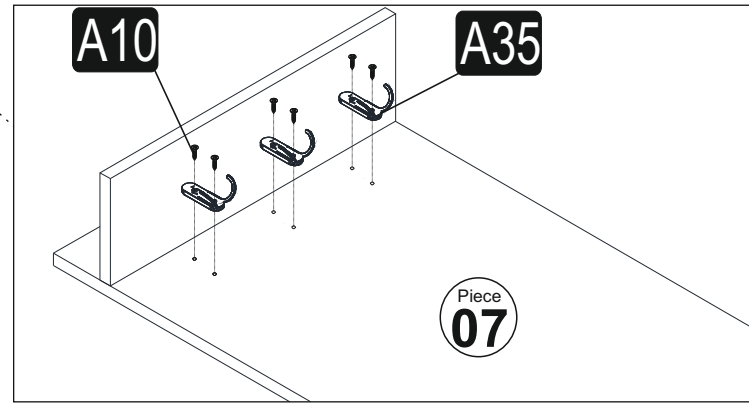
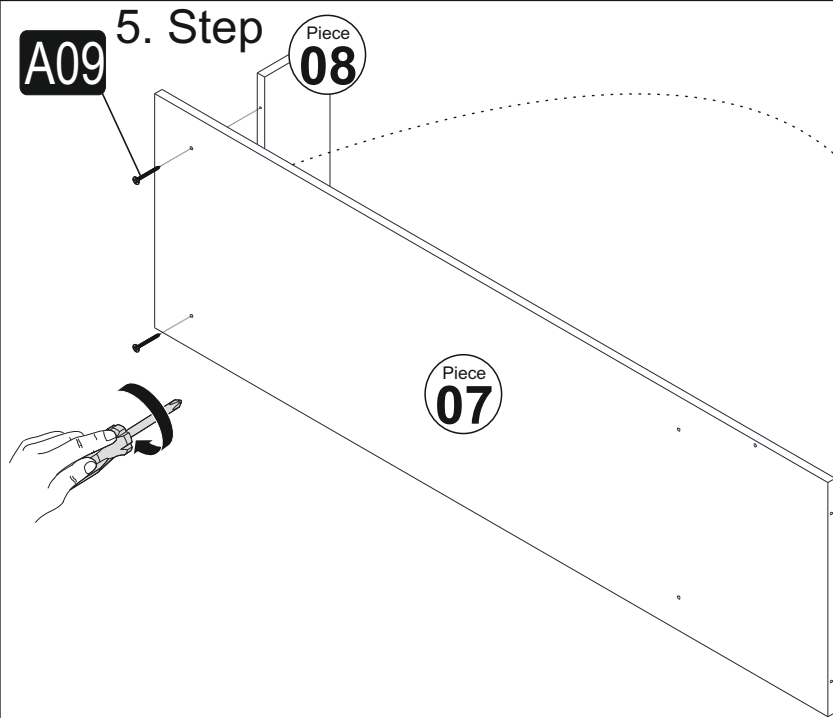
Block  
**01**

## 4. Step

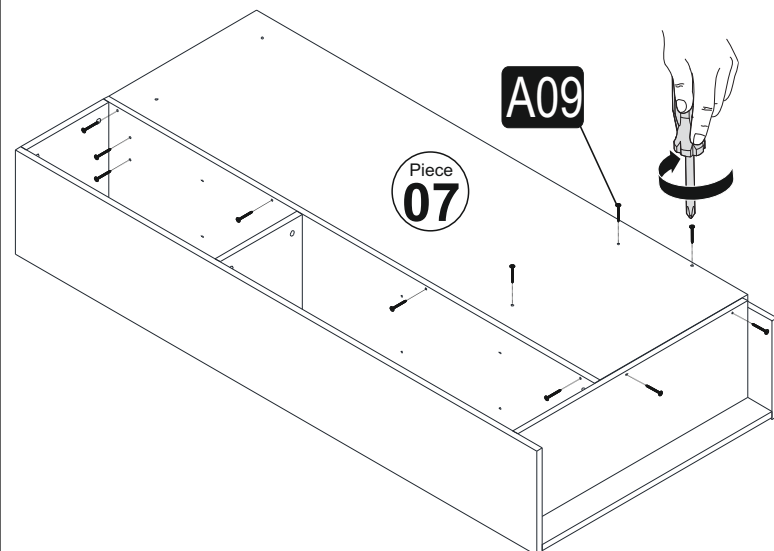
P 3



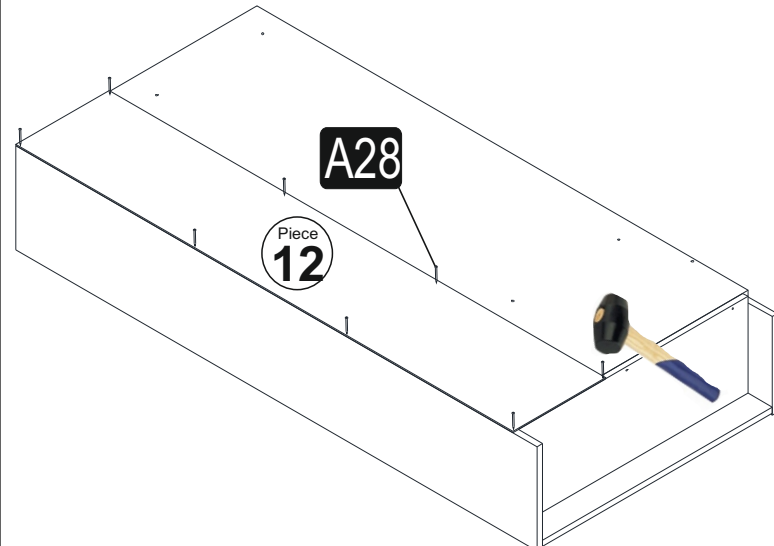
## 5. Step



## 6. Step



## 7. Step



## 8. Step

