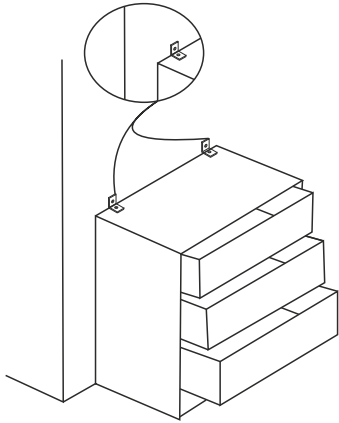


Dear Customer,

We design and produce our products for people to love and have fun with them as we do. The product you bought was subjected to all sorts of tests and control before sending out to you.



Attention!

Using excessive force to the furniture can cause furniture to fall. This can damage you both financially and physically. In order to avoid this situation, please use wall mounting fixtures



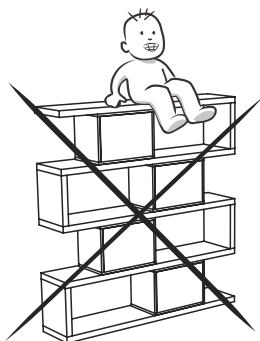
Before start assembling, please check the whole components and accessories according to the lists. If you bought more than one product, to prevent confusion be sure that you completed the first product. Then start the other product's assembling.



Before start assembling, please clean all the components with a damp cloth. Also for usual cleaning, this will be enough.



Although all the products are produced and packed carefully, sometimes happen that some component is damaged during the transportation. In such a case please check the missing or damaged part and do not hesitate to contact us. You can send e-mail to or reach us at

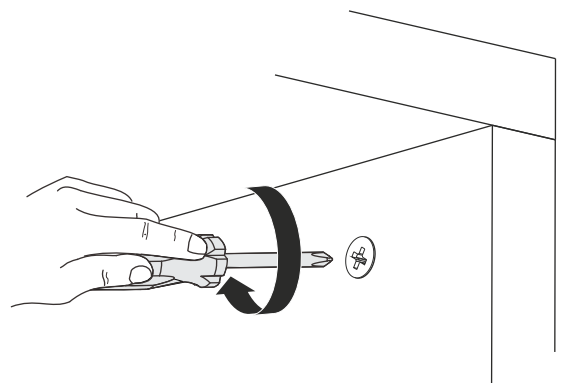
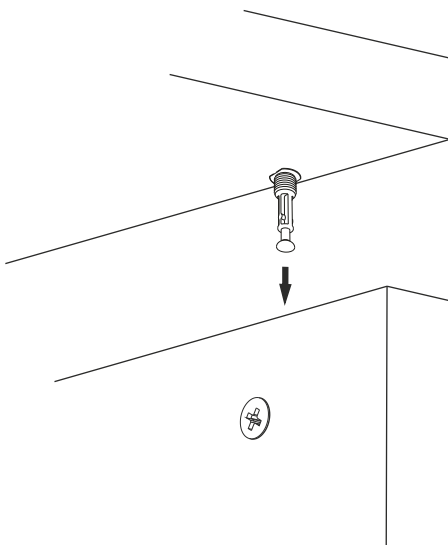
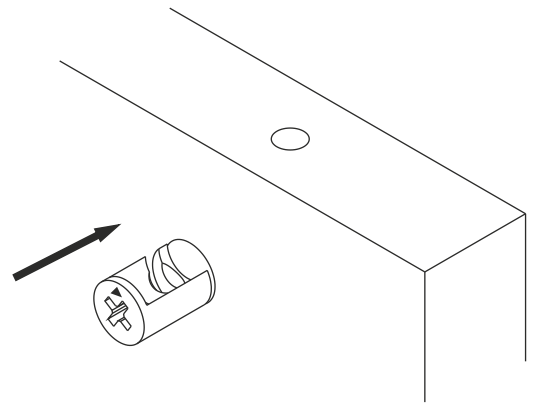
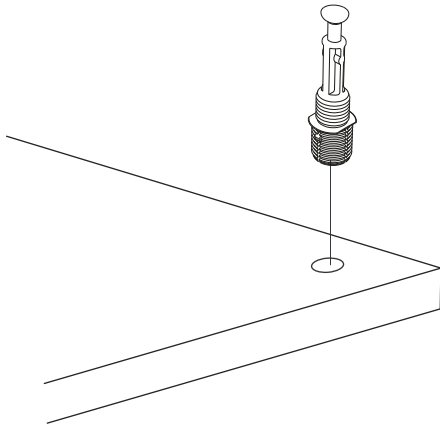
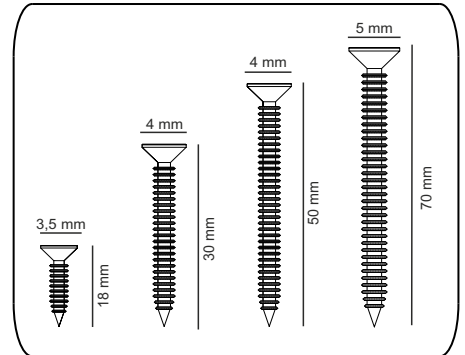
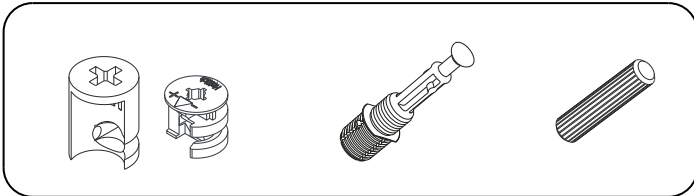


Do not use your furniture for out of purposes. If you would like to use it, please contact us for further questions.

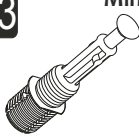

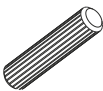
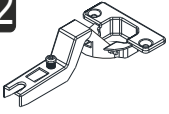
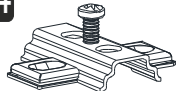
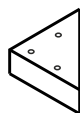



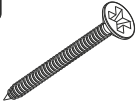
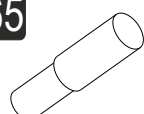

Do not directly contact your furniture with excessive heat, cold and humidity because the product can be affected.

ATTENTION !!

Minifix is the main connection material used in this products. Before starting assembly, please check the drawings below.

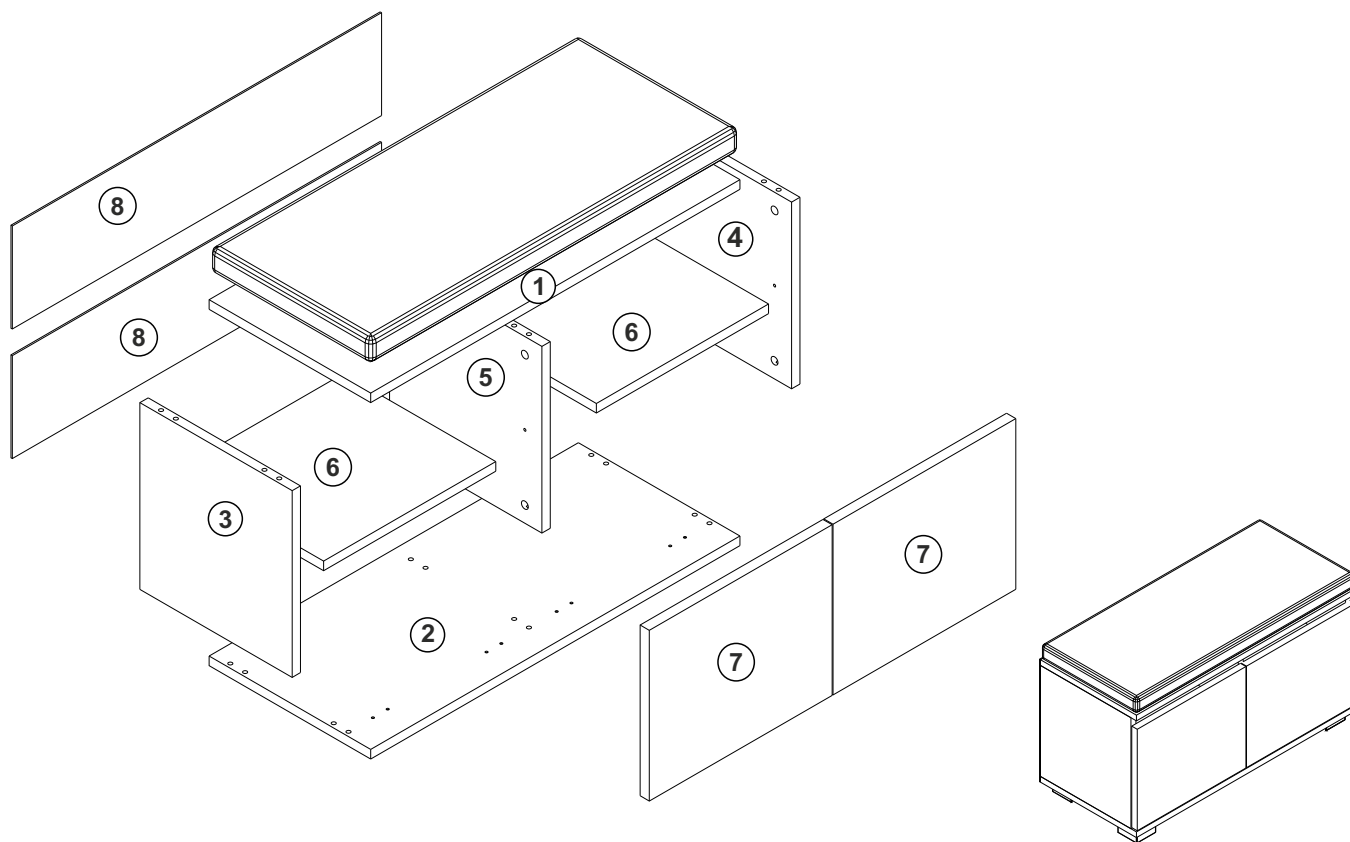


ACCESSORY LIST

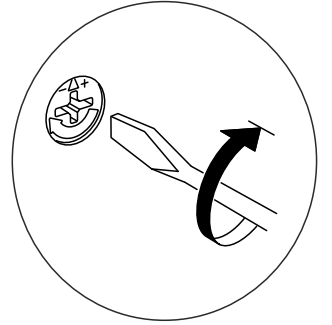
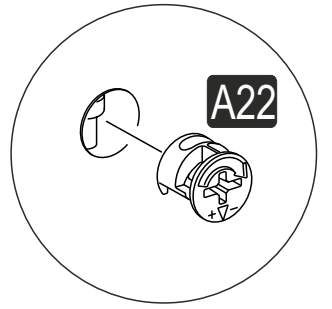
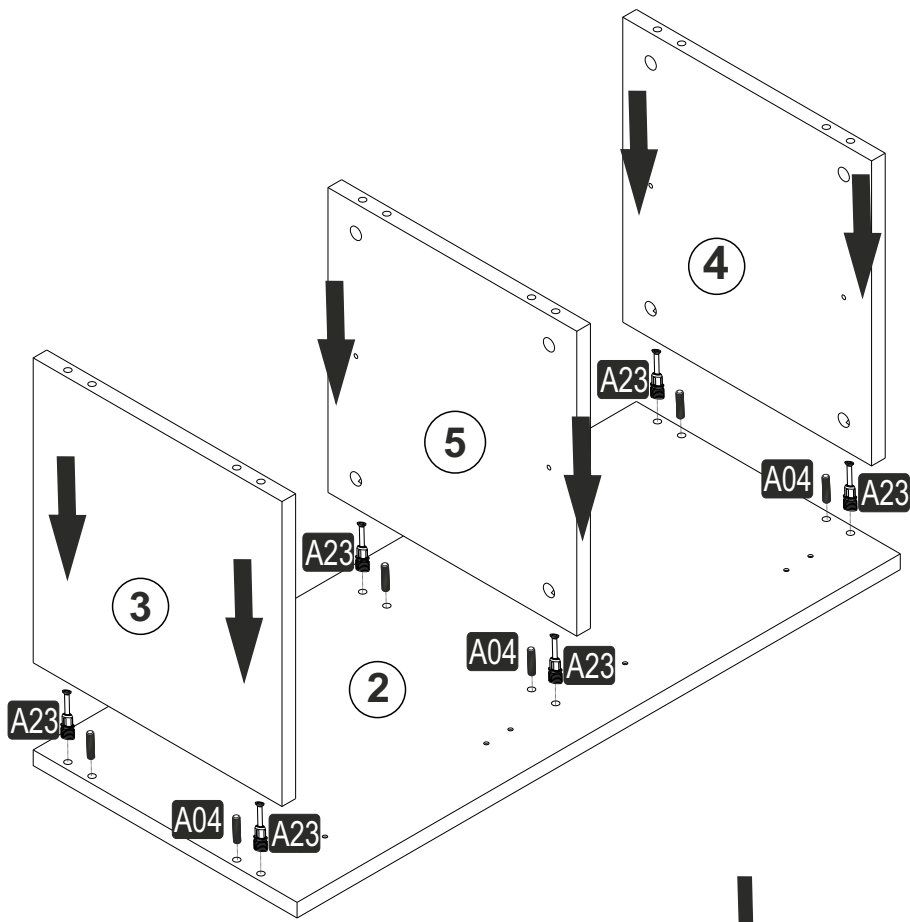
A23  Minifix M10 12x	A22  Minifix G18 12x	A04  KVLV 12x	C02  SDM 4x	C04  MA 4x
A57  BLACK 30mm 4x	A18  3,5x18 16x	A48  AC 25x	A06  18 mm CRGN 12x	A41  4x25 12x
A65  RP 8x	A90 double-sided tape  60mm 4x			

NO	PART CODE	PIECE	LENGHT	WDHT	THICKNESS
1	01668.01	1	800	350	18
2	01668.02	1	800	350	18
3	01668.03	1	350	330	18
4	01668.04	1	350	330	18
5	01668.05	1	350	330	18
6	01668.06	2	373	330	18
7	01668.07	2	396	320	18
8	01668.08	2	800	193	3

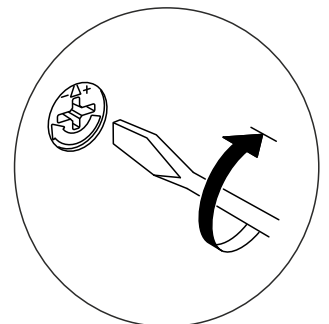
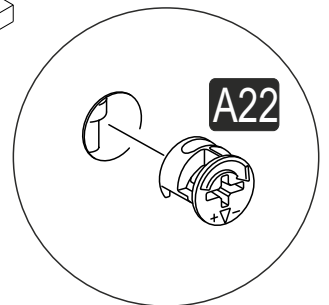
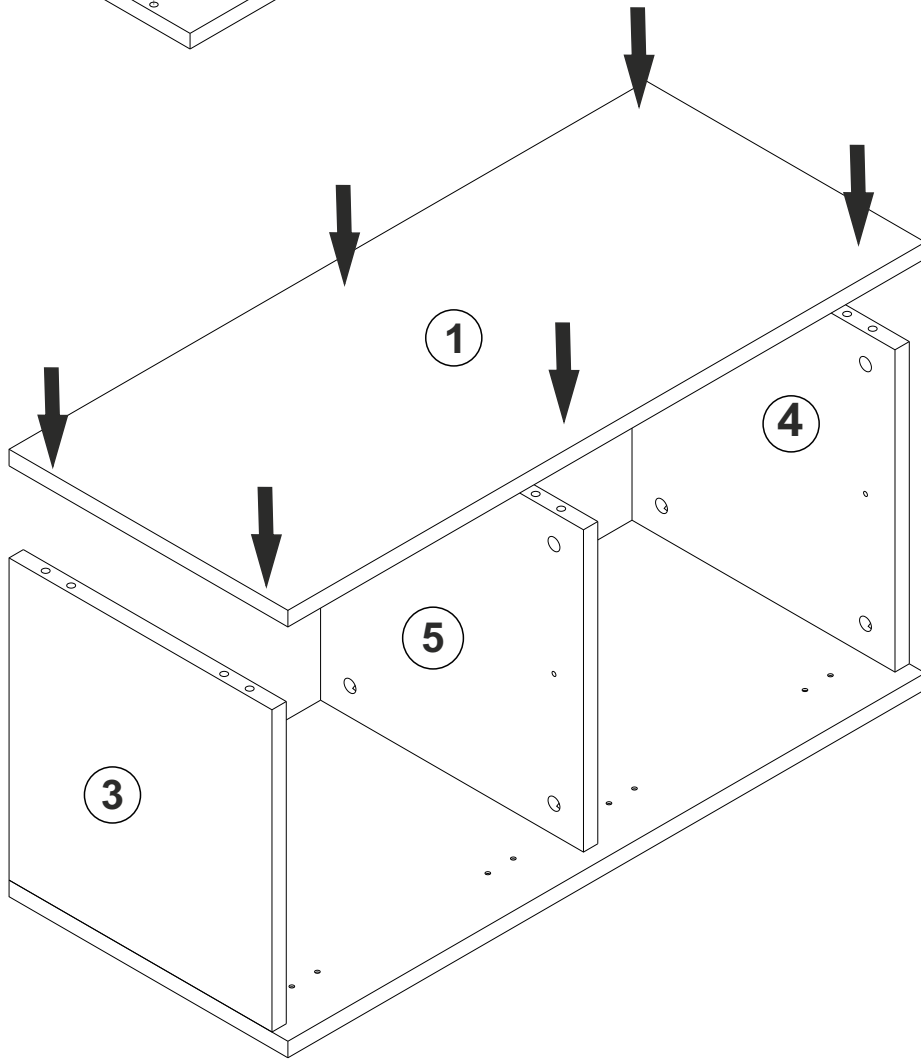
GENERAL VIEW



1

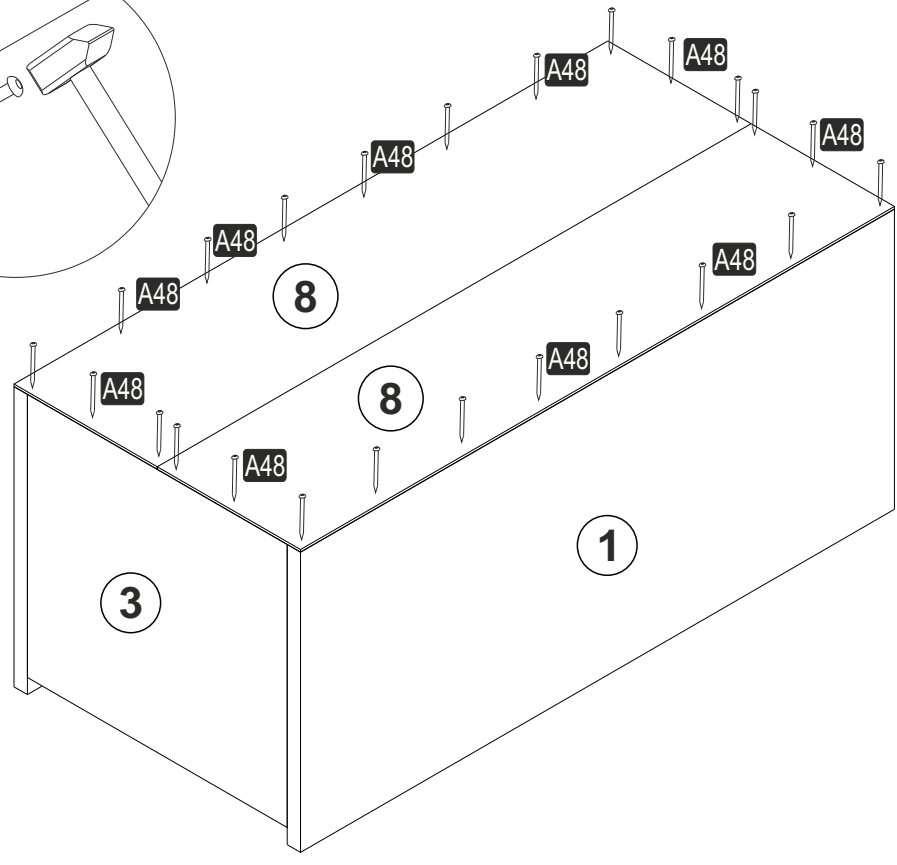
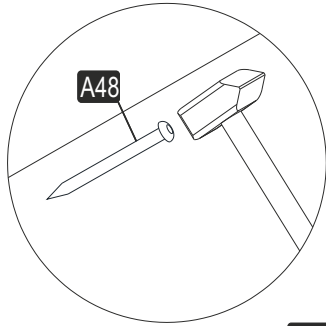


2

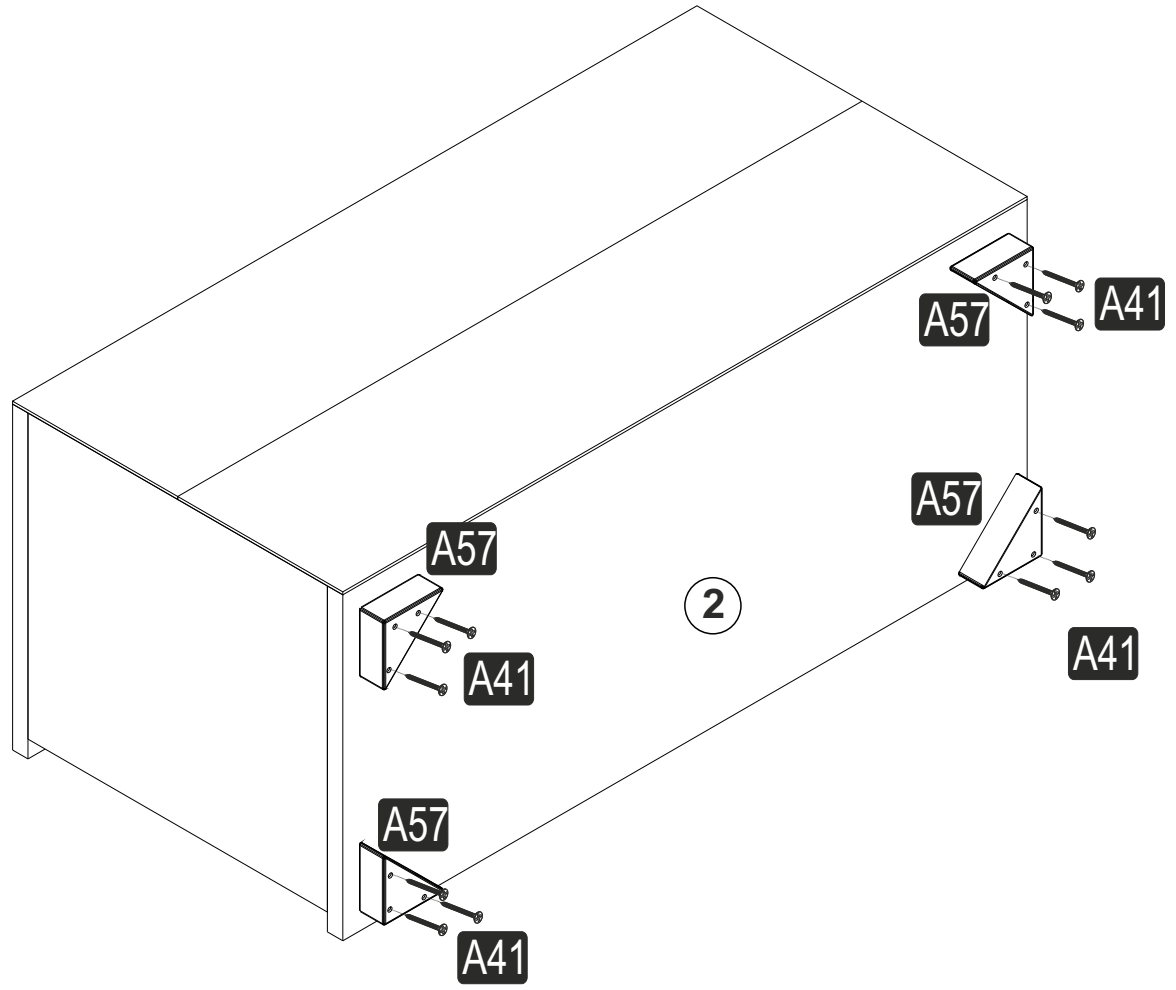


4

3

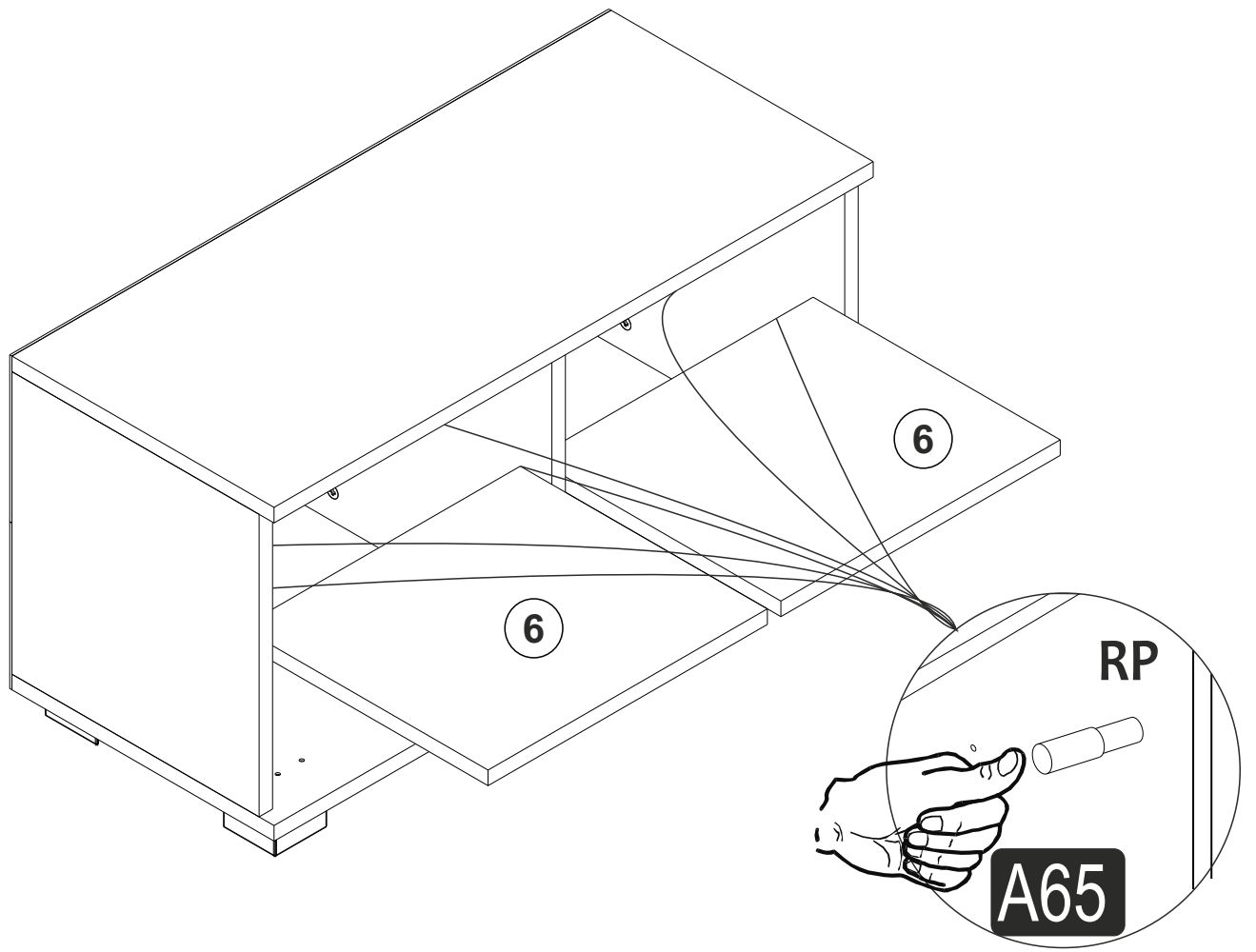


4



5

5



6

