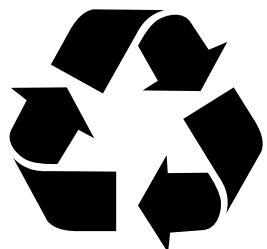
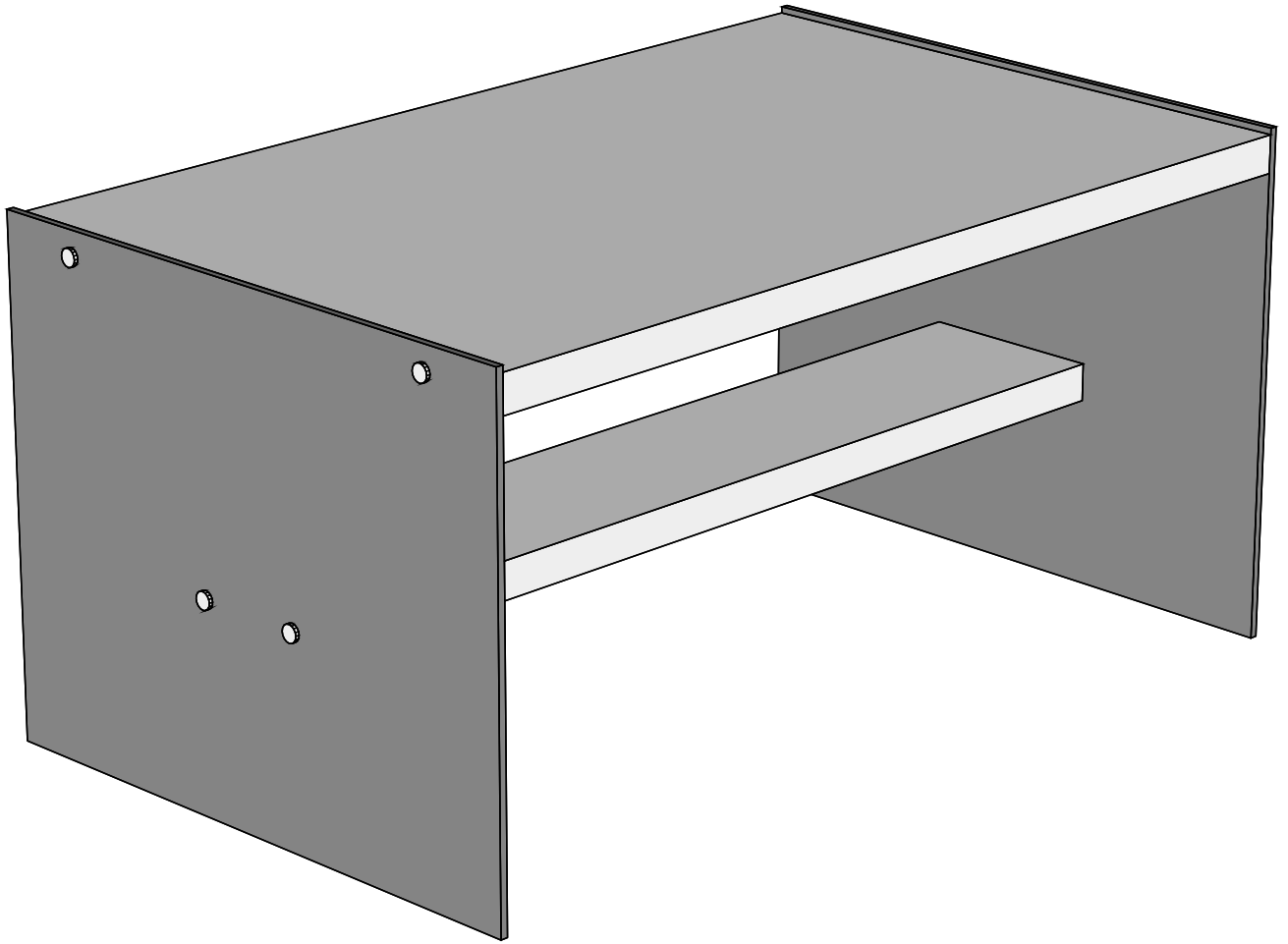
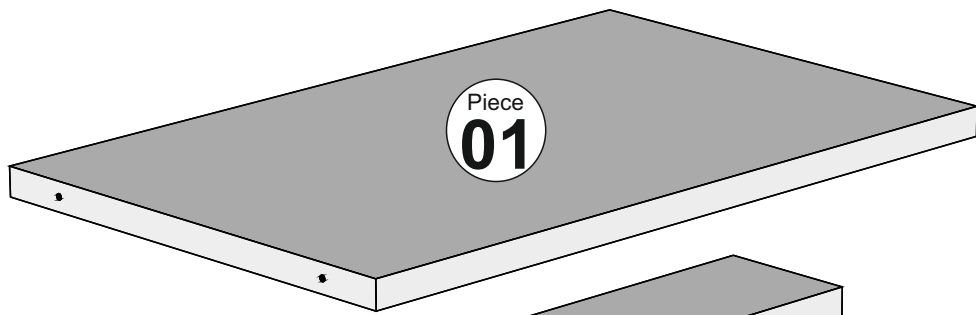
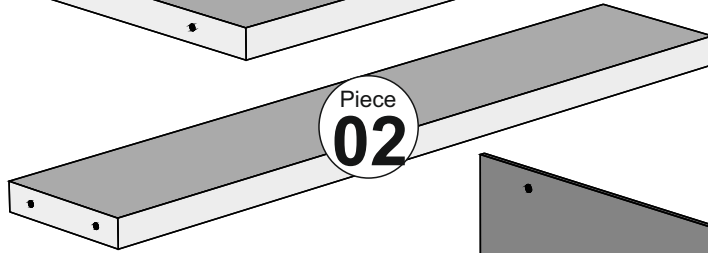


**NEO** still

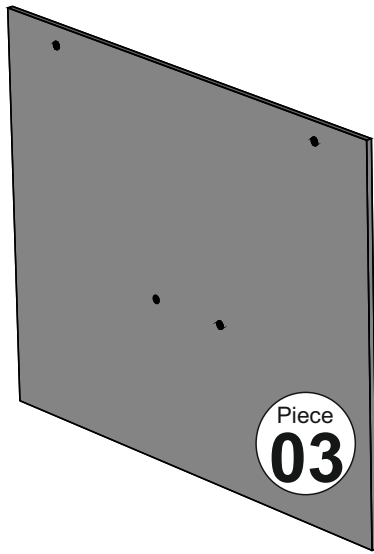




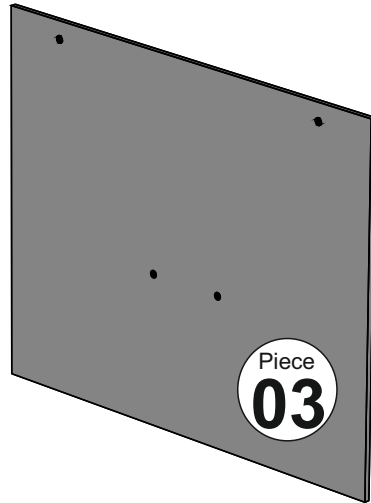
Piece  
**01**



Piece  
**02**



Piece  
**03**



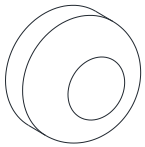
Piece  
**03**

**A35**



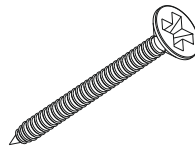
**x8**

**A36**



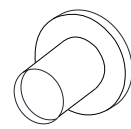
**x8**

**A09**



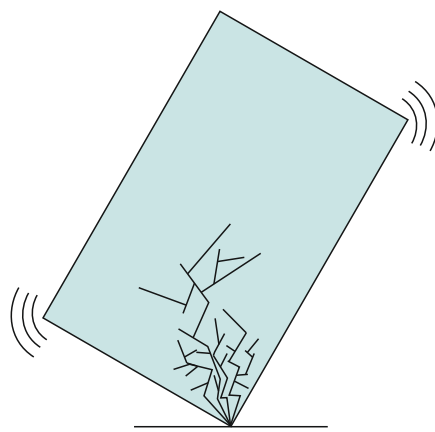
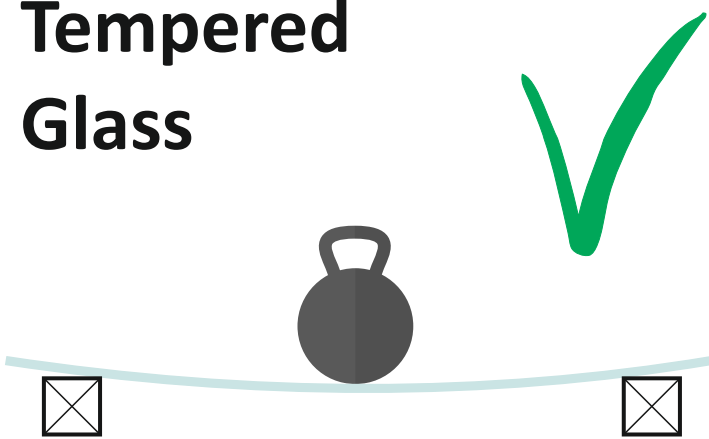
**x8**

**A11**



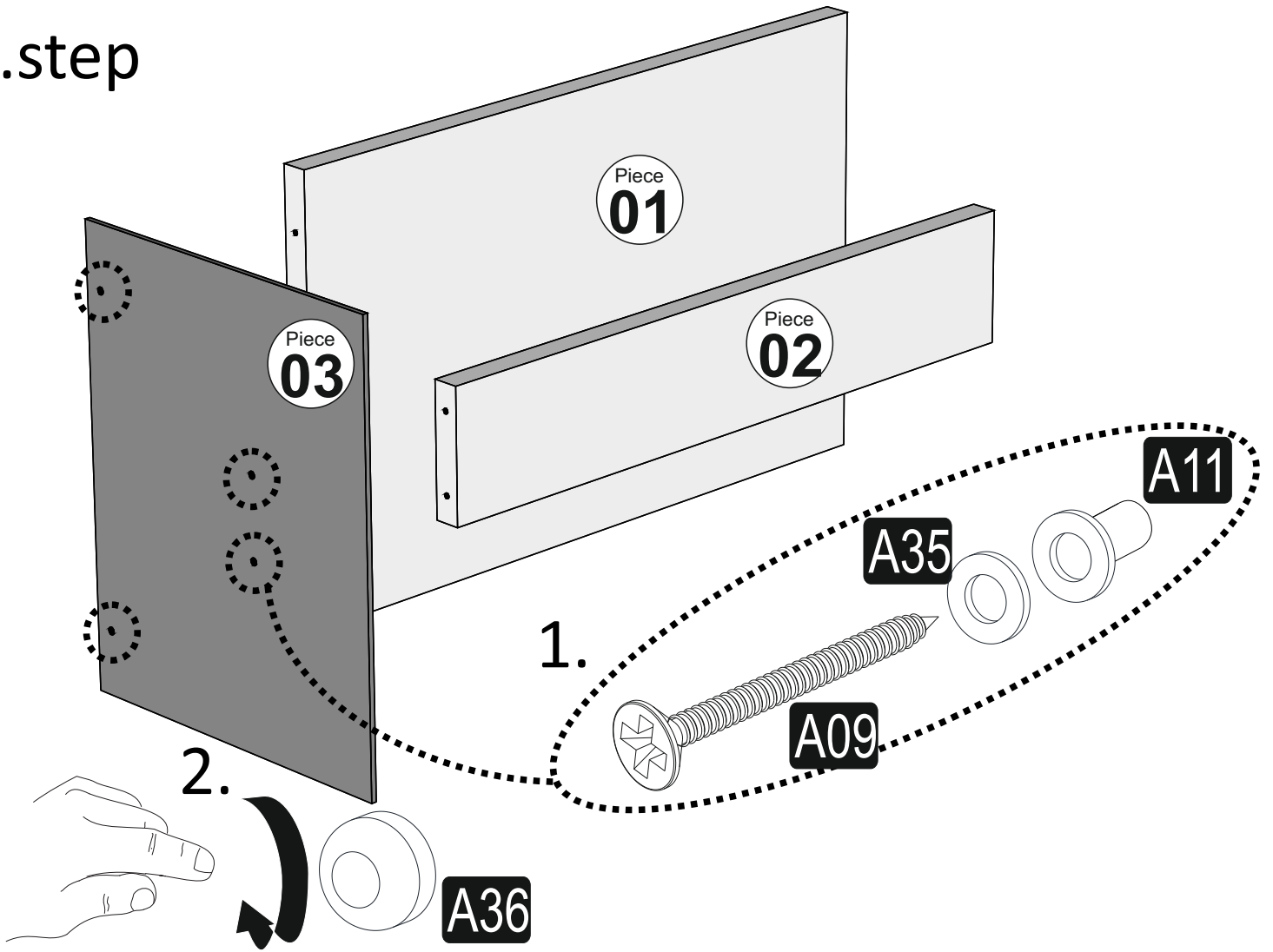
**x8**

**Tempered  
Glass**

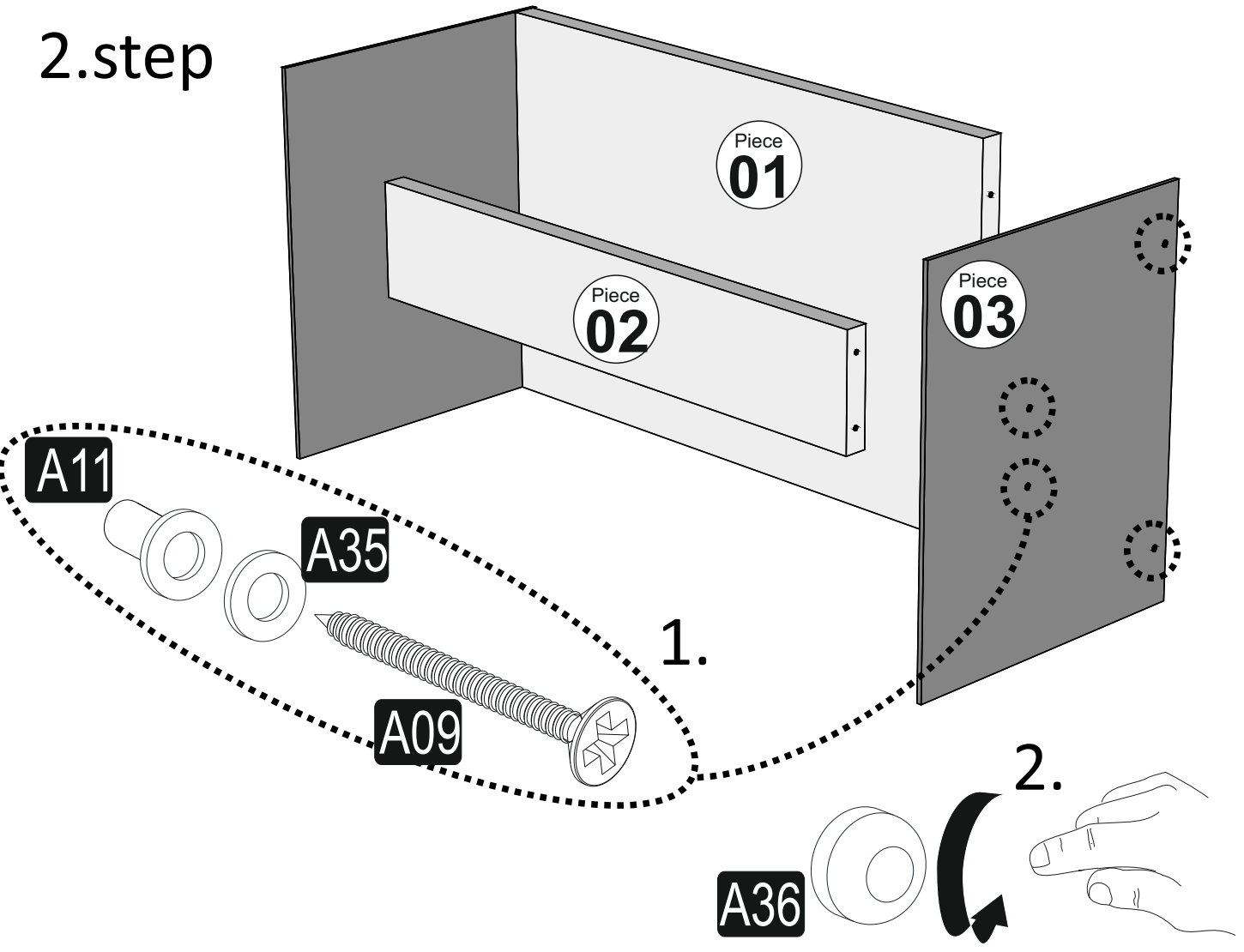


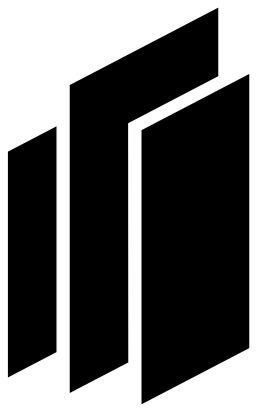
**Avoid  
impacts from  
the corners**

# 1.step

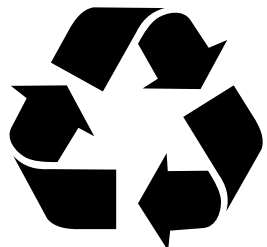
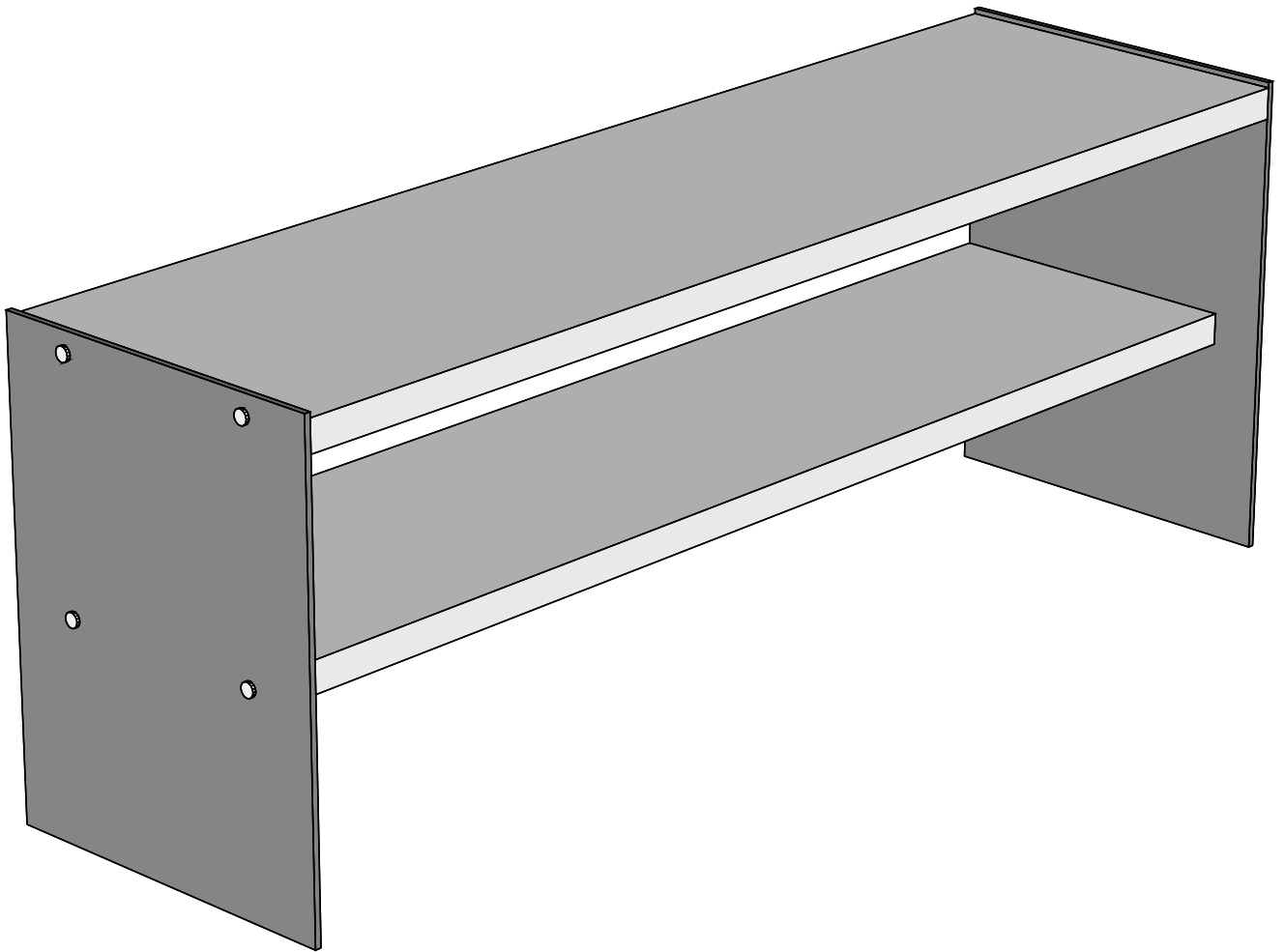


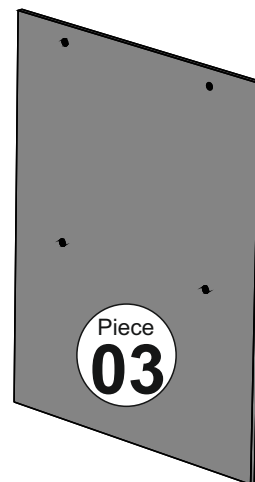
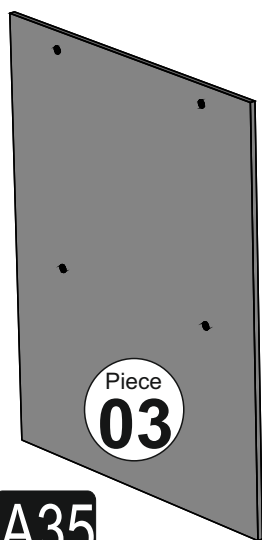
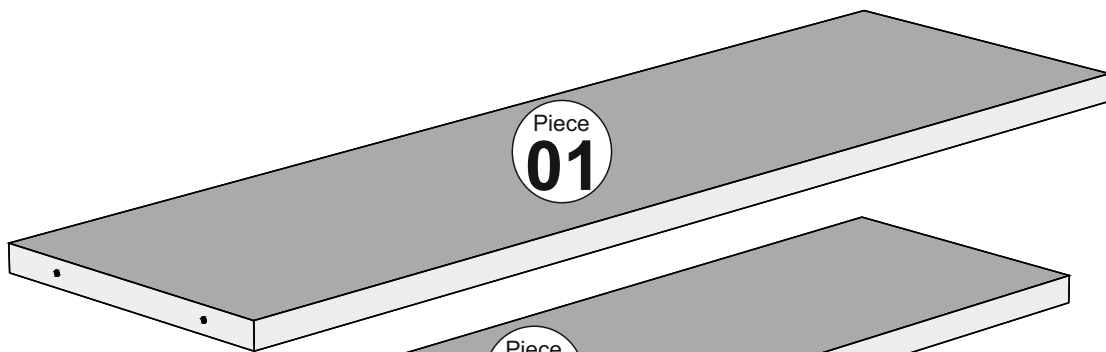
# 2.step





**NEO** still



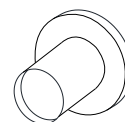
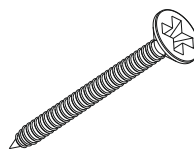
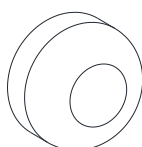


**A35**

**A36**

**A09**

**A11**



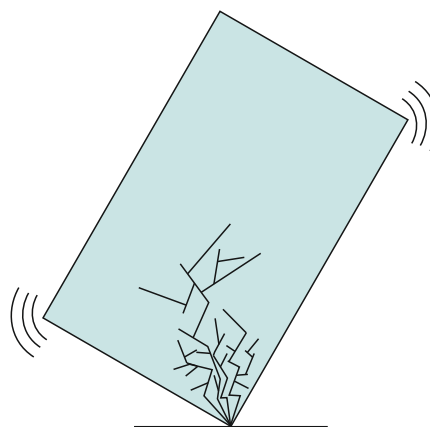
**x8**

**x8**

**x8**

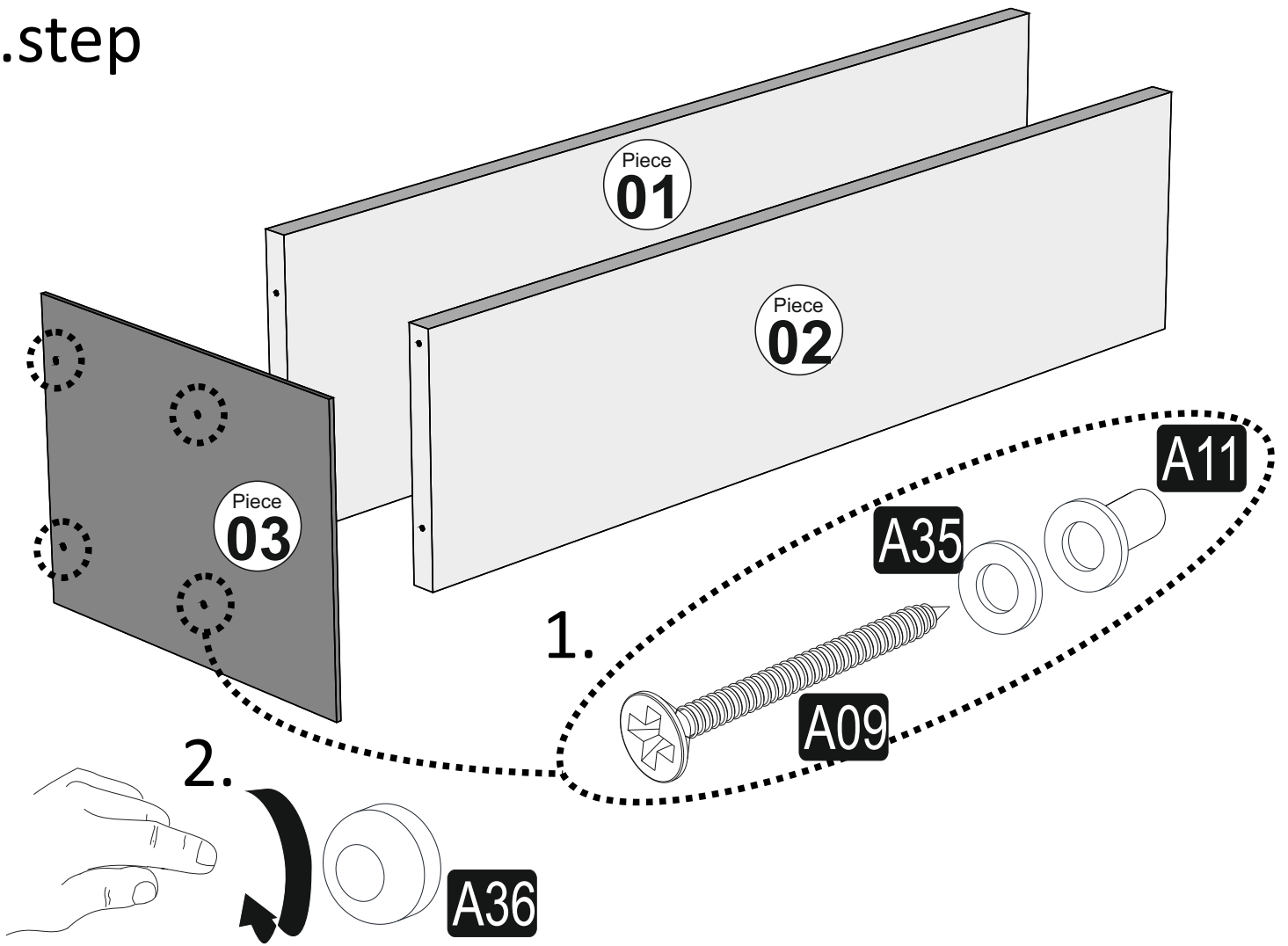
**x8**

**Tempered  
Glass**



**!** Avoid impacts from the corners

# 1.step



# 2.step

