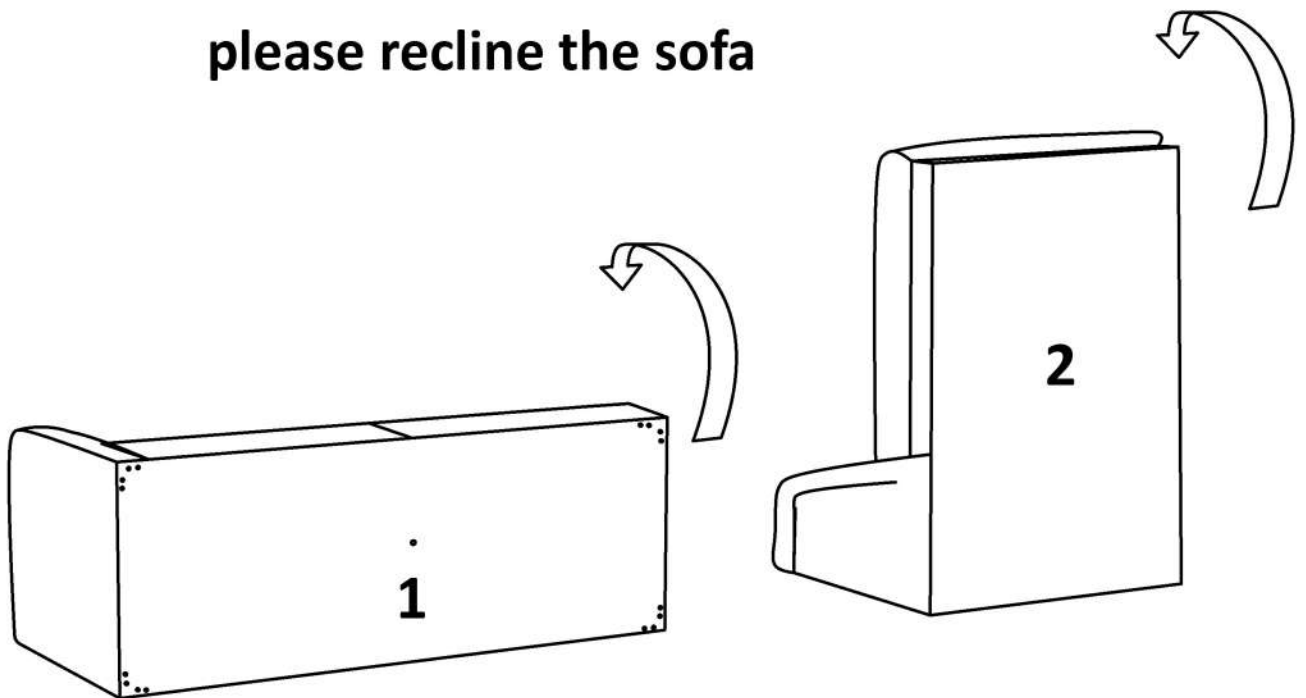


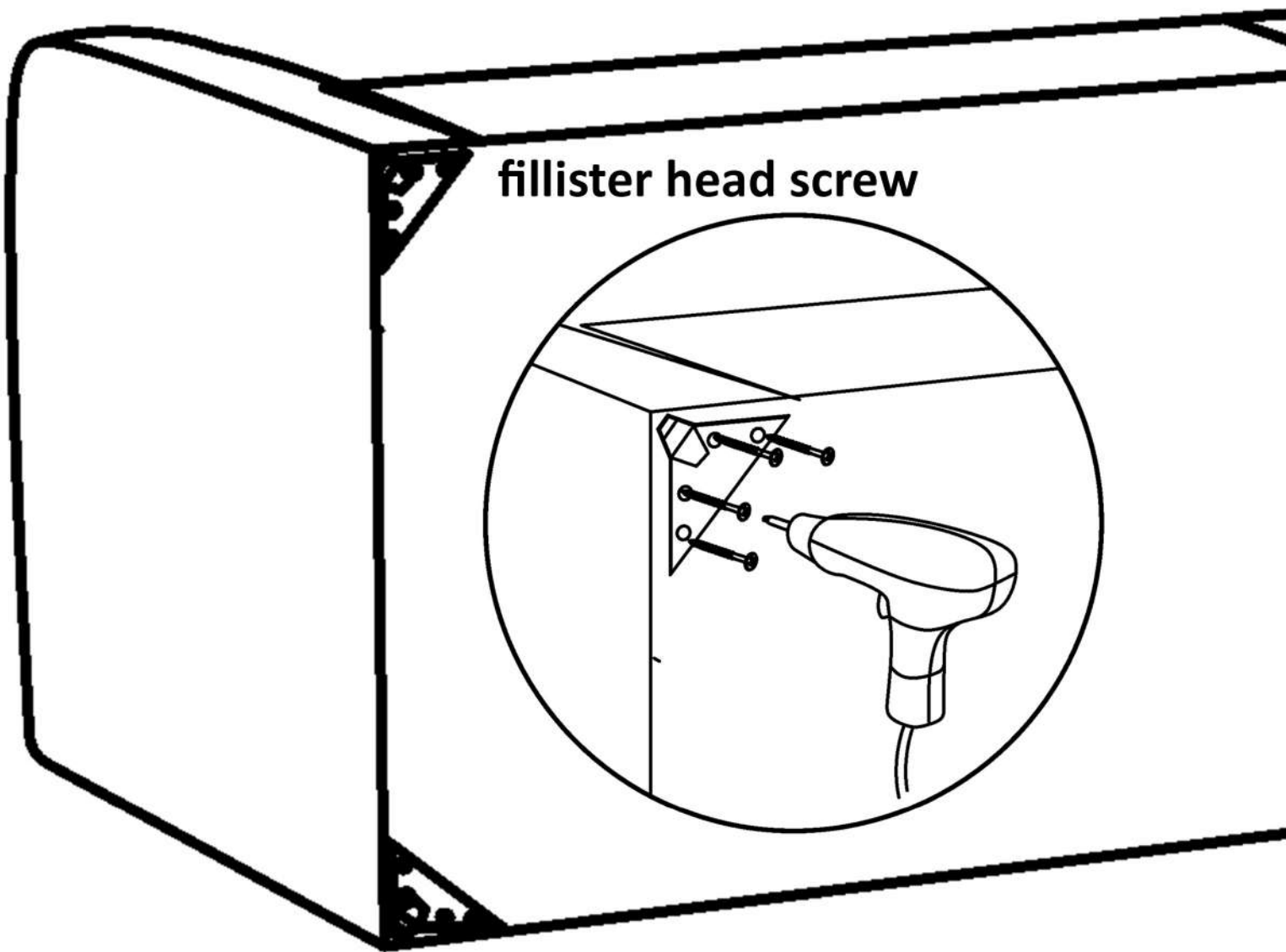
sofa includes 8 iron legs and 2 plastic adjustable middle leg.

STEP 1

please recline the sofa

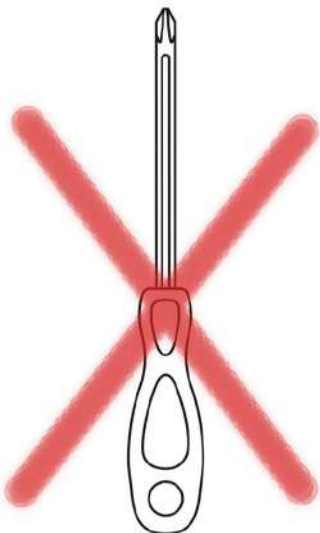


STEP 2



fillister head screw

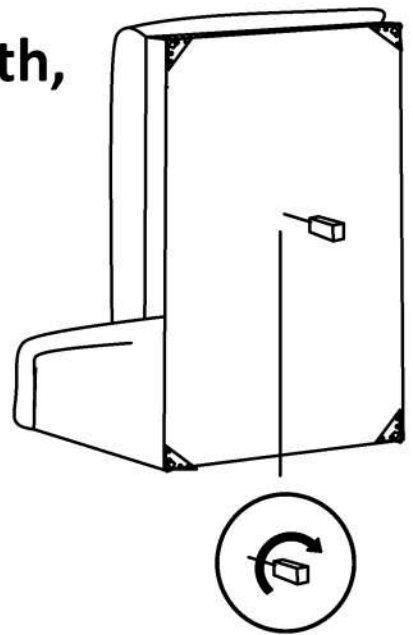
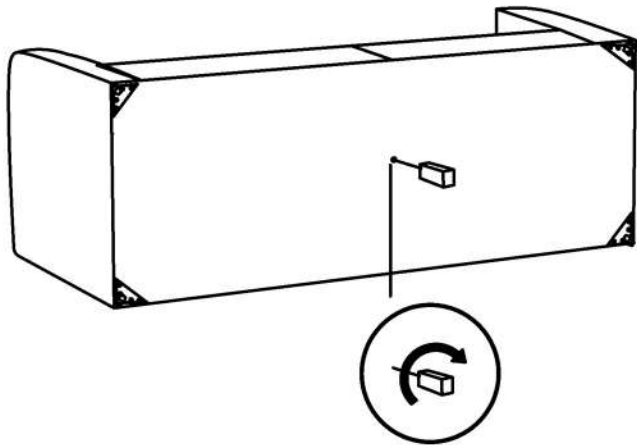
please use a drill
for fixing the legs



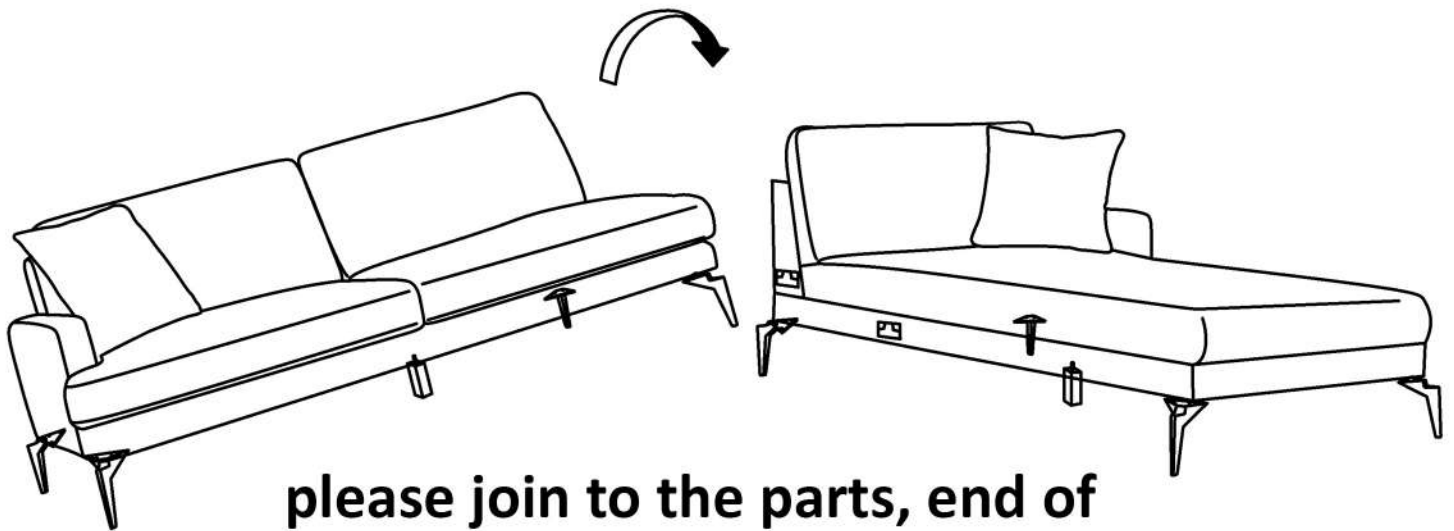
please don't use screwdriver

STEP 3

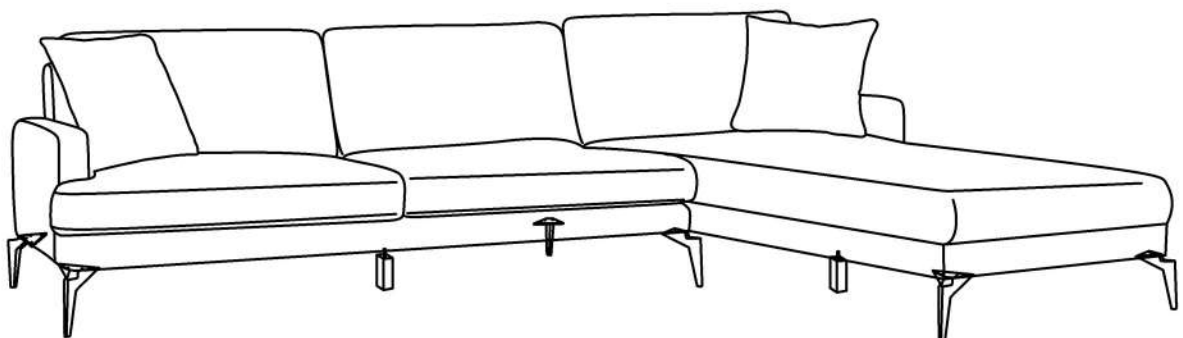
please find the fixing hole underneath,
place the adjustable plastic leg



STEP 4



please join to the parts, end of
the fixing legs



have a nice seating