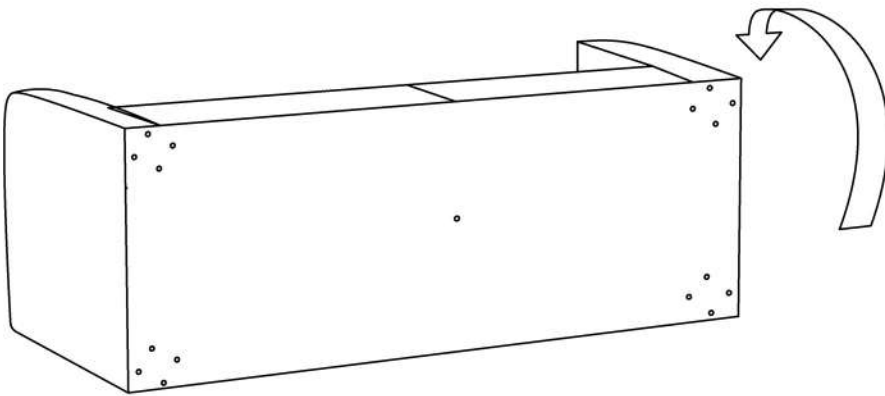
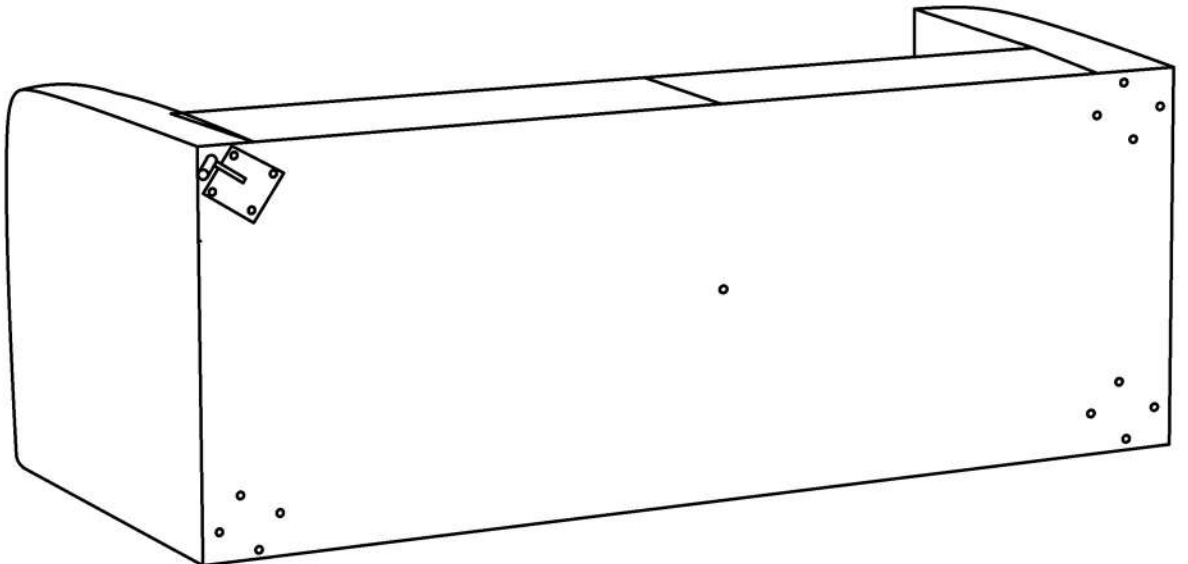


sofa includes 4 iron legs and 1 plastic adjustable middle leg.

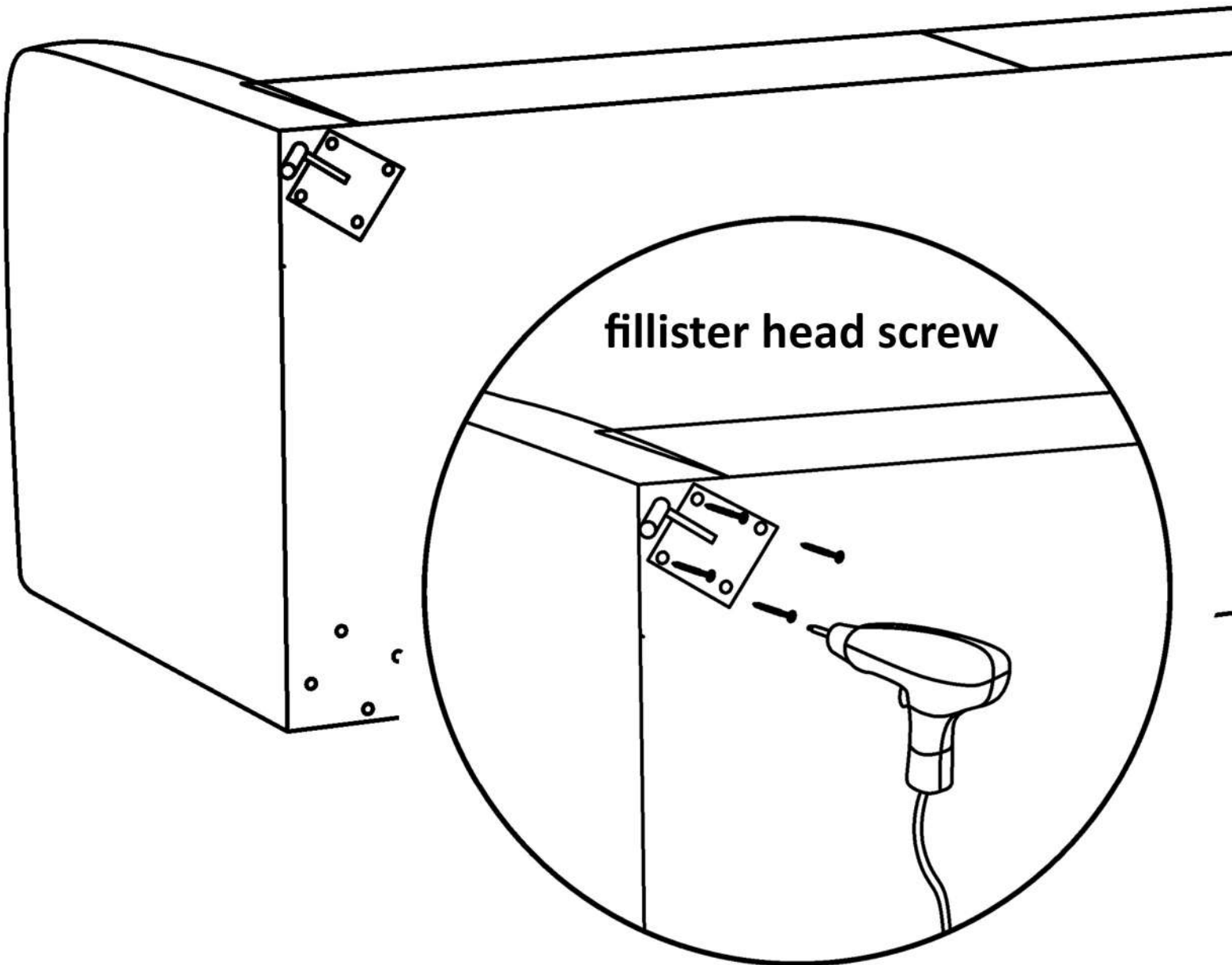
STEP 1



please recline the sofa

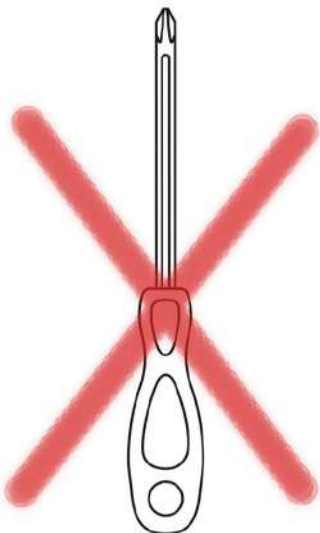


STEP 2



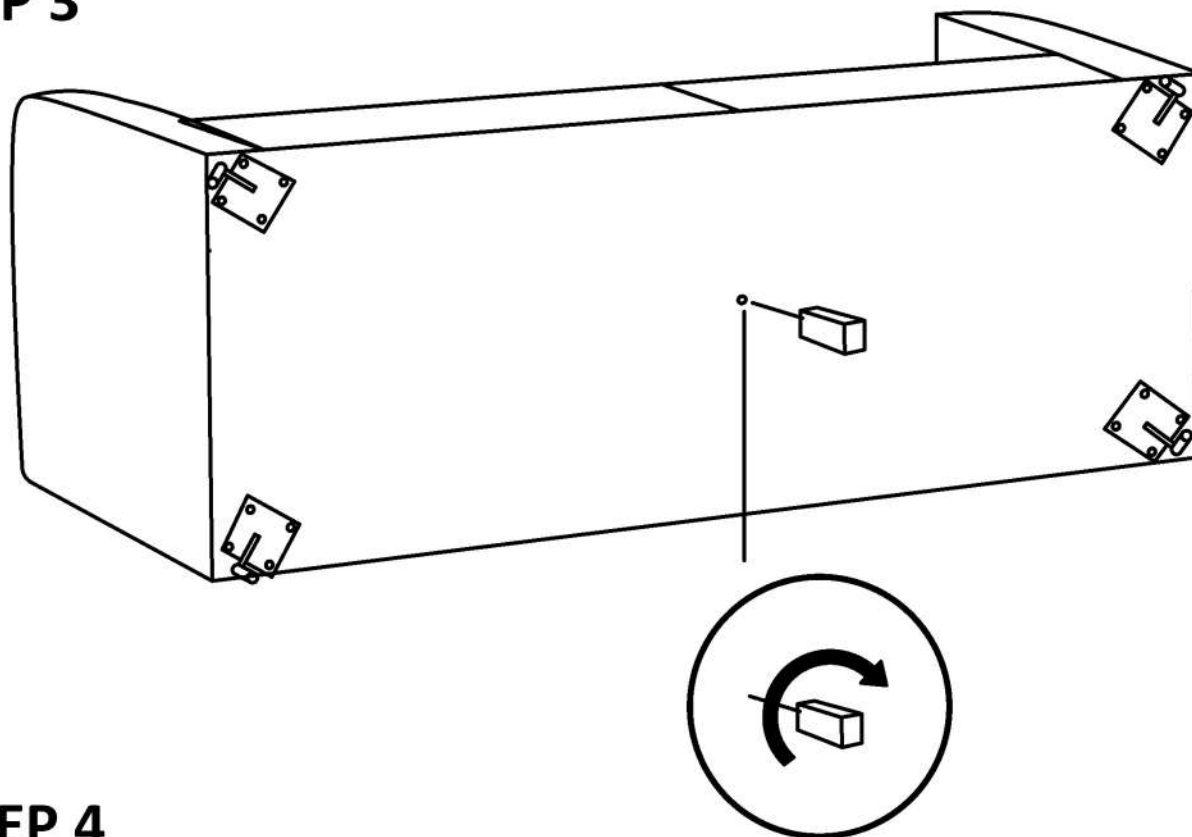
fillister head screw

please use a drill
for fixing the legs



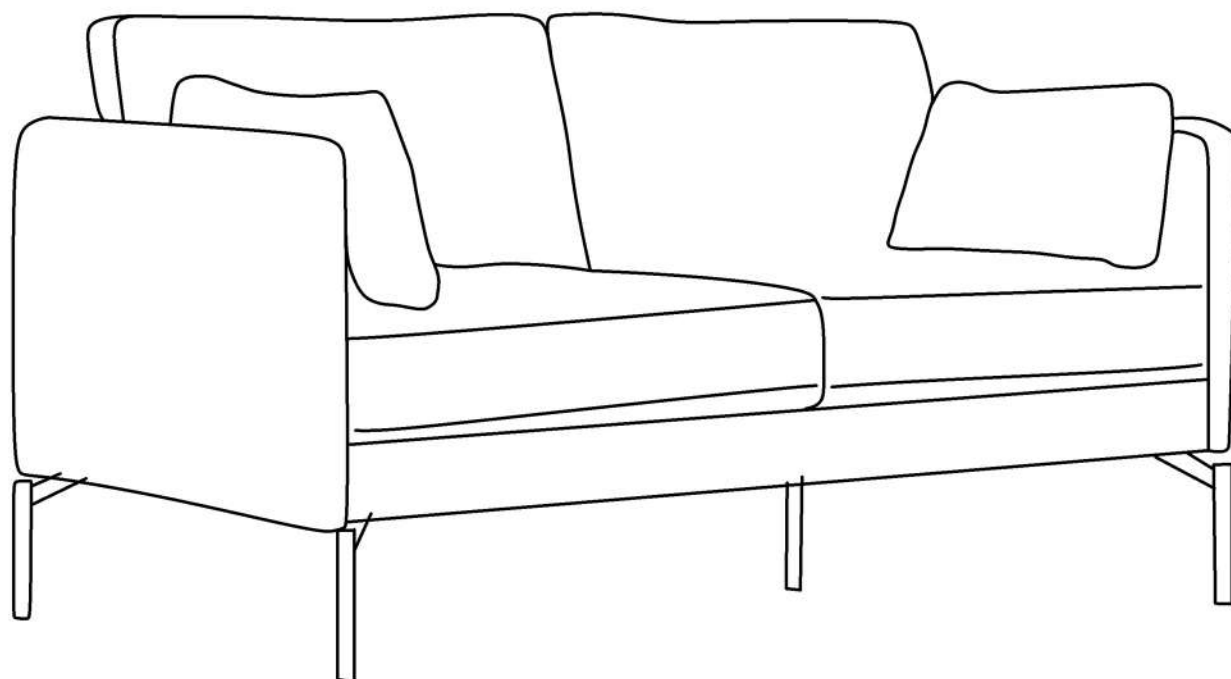
please don't use screwdriver

STEP 3



STEP 4

**please find the fixing hole underneath,
place the adjustable plastic leg**



have a nice seating