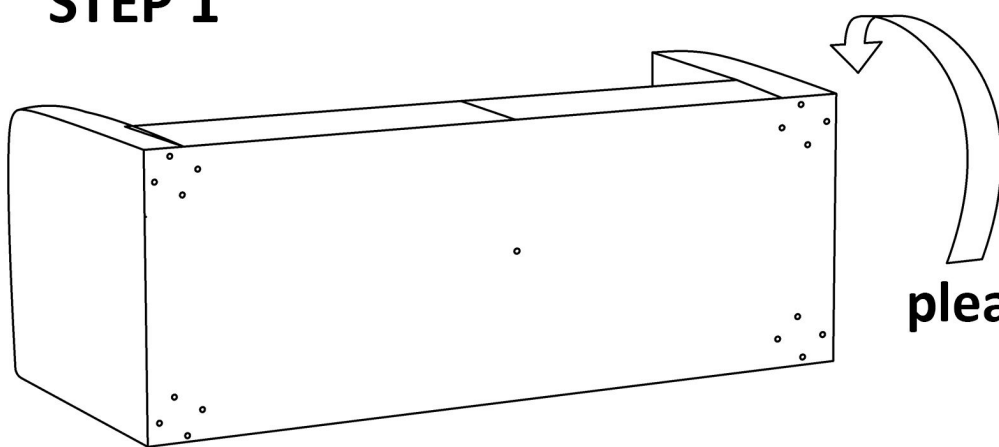
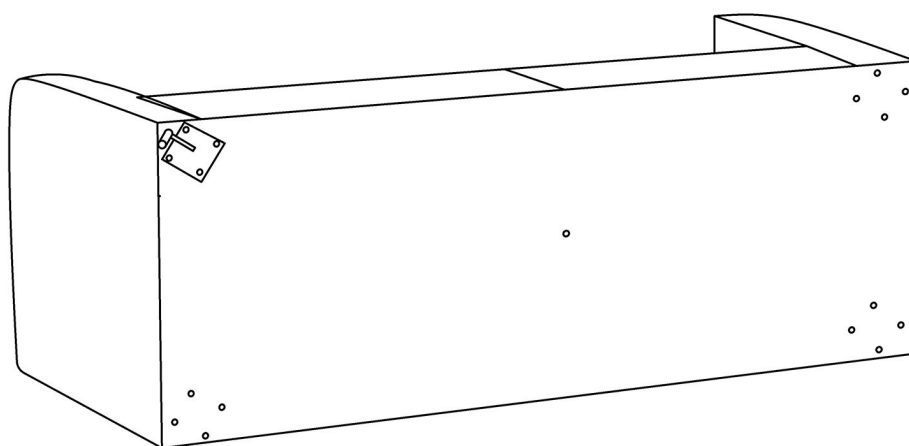


sofa includes 4 iron legs and 1 wooden middle leg.

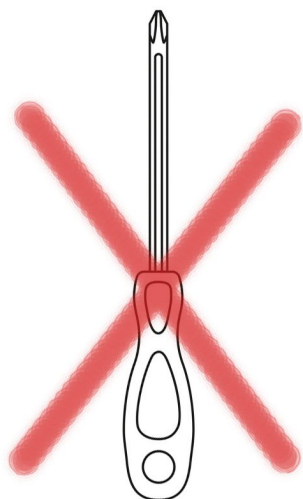
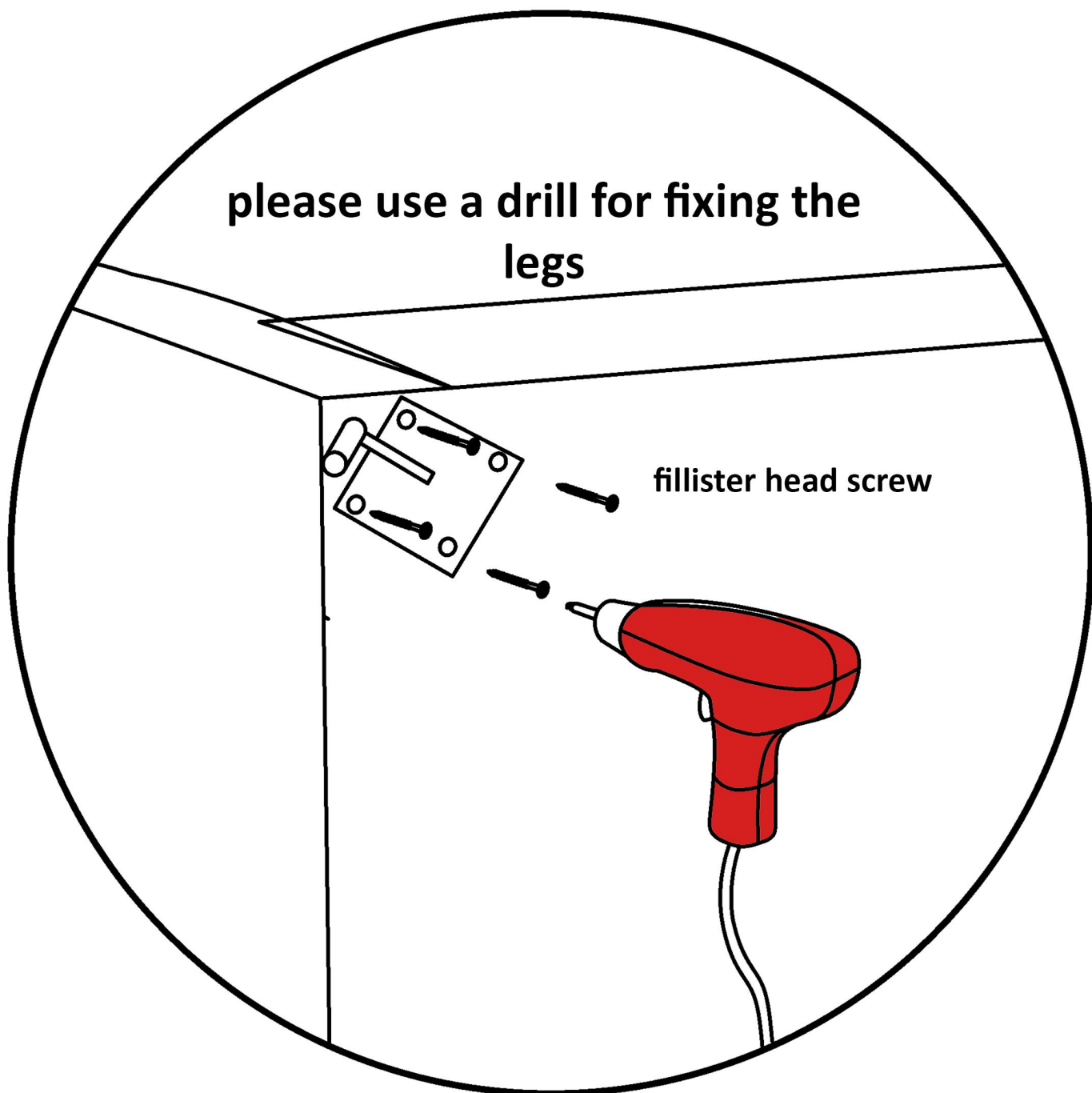
STEP 1



please recline the sofa

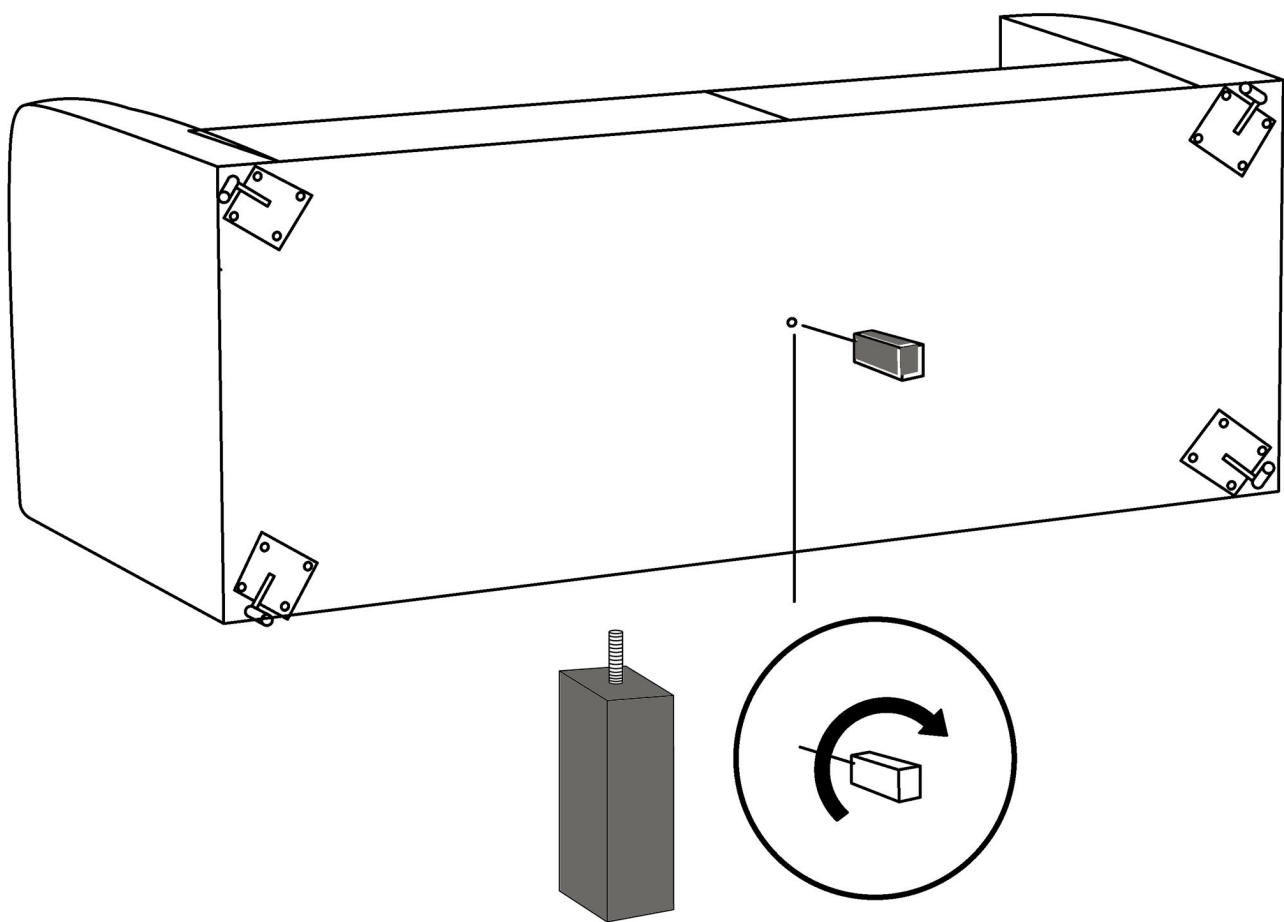


STEP 2

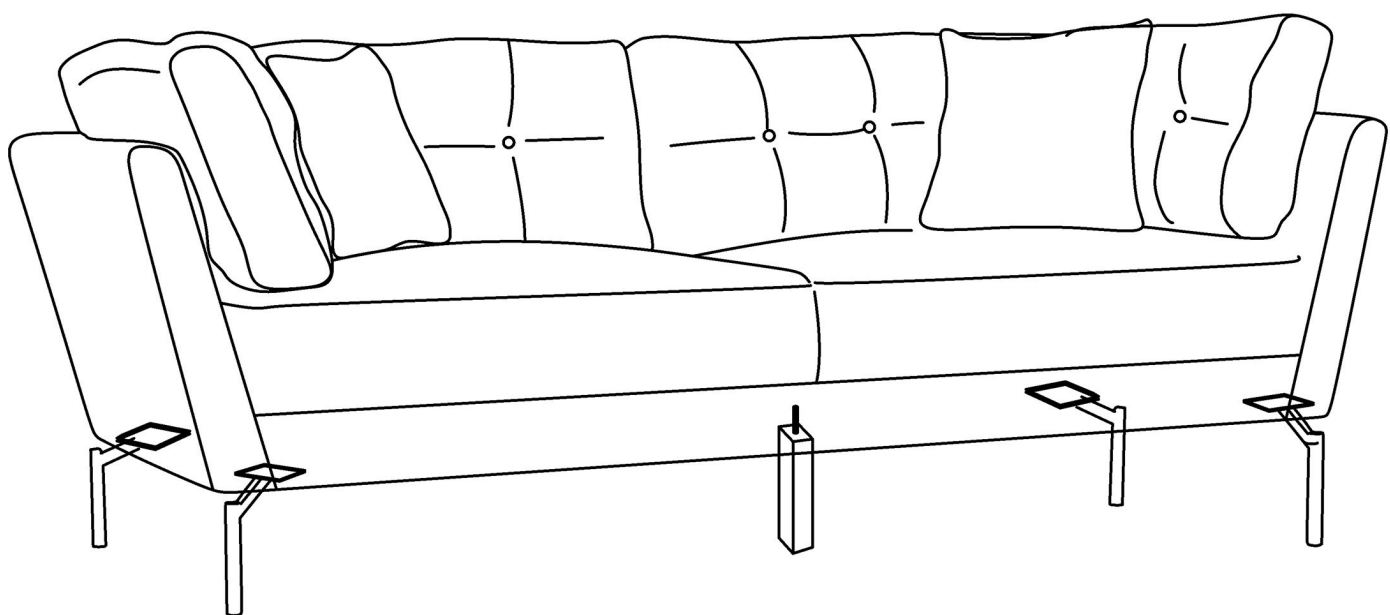


please don't use screwdriver

STEP 3



please find the fixing hole underneath, place the wooden leg and turn right



have a nice seating