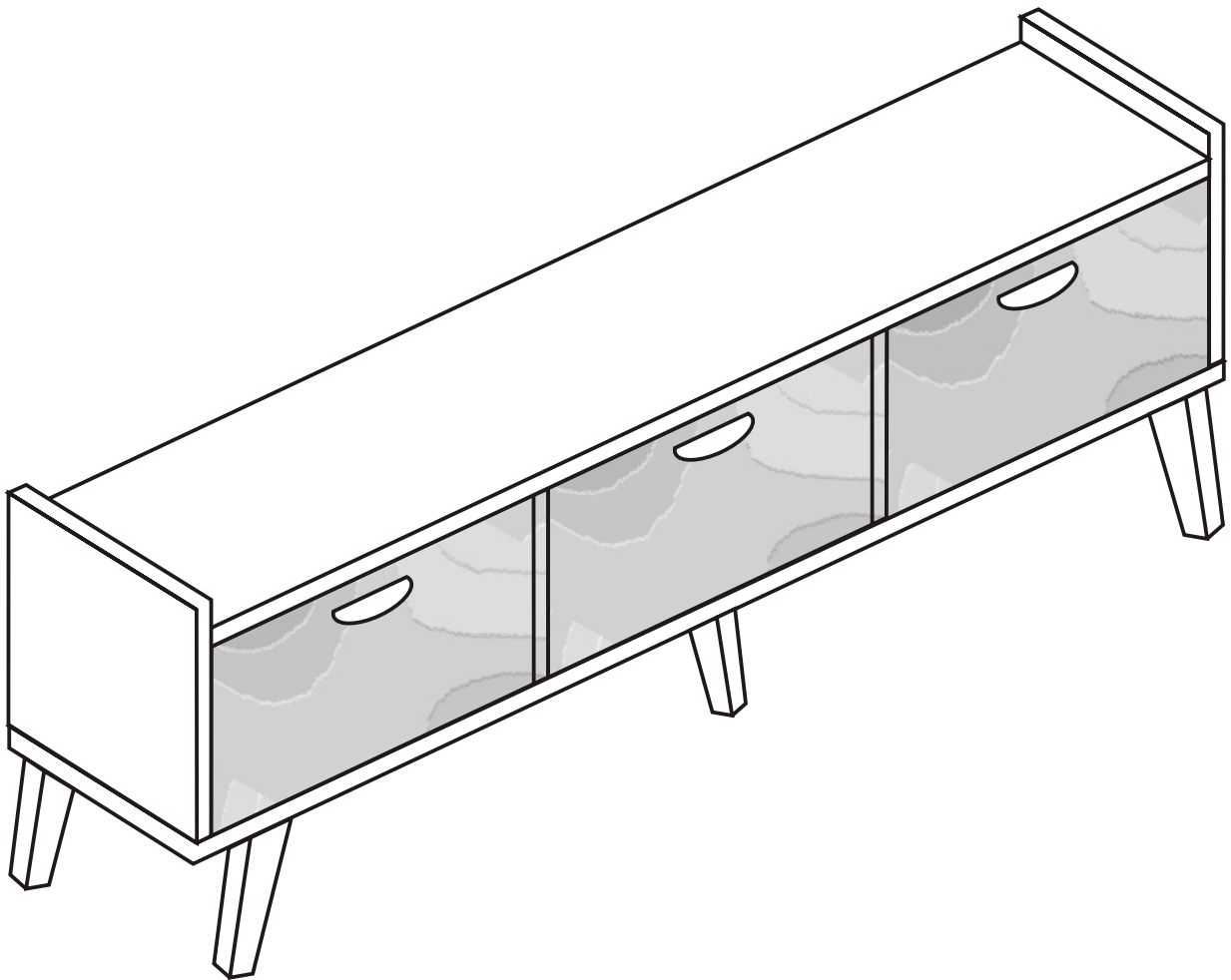


# LIDYA . TV

---

Assembly Manual



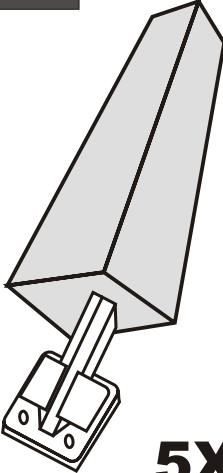
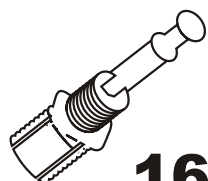


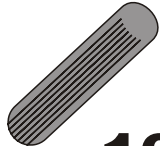

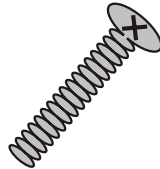


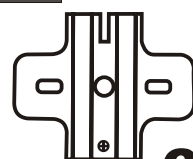
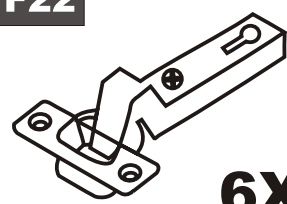
---

**Kalune Design**  
Furniture

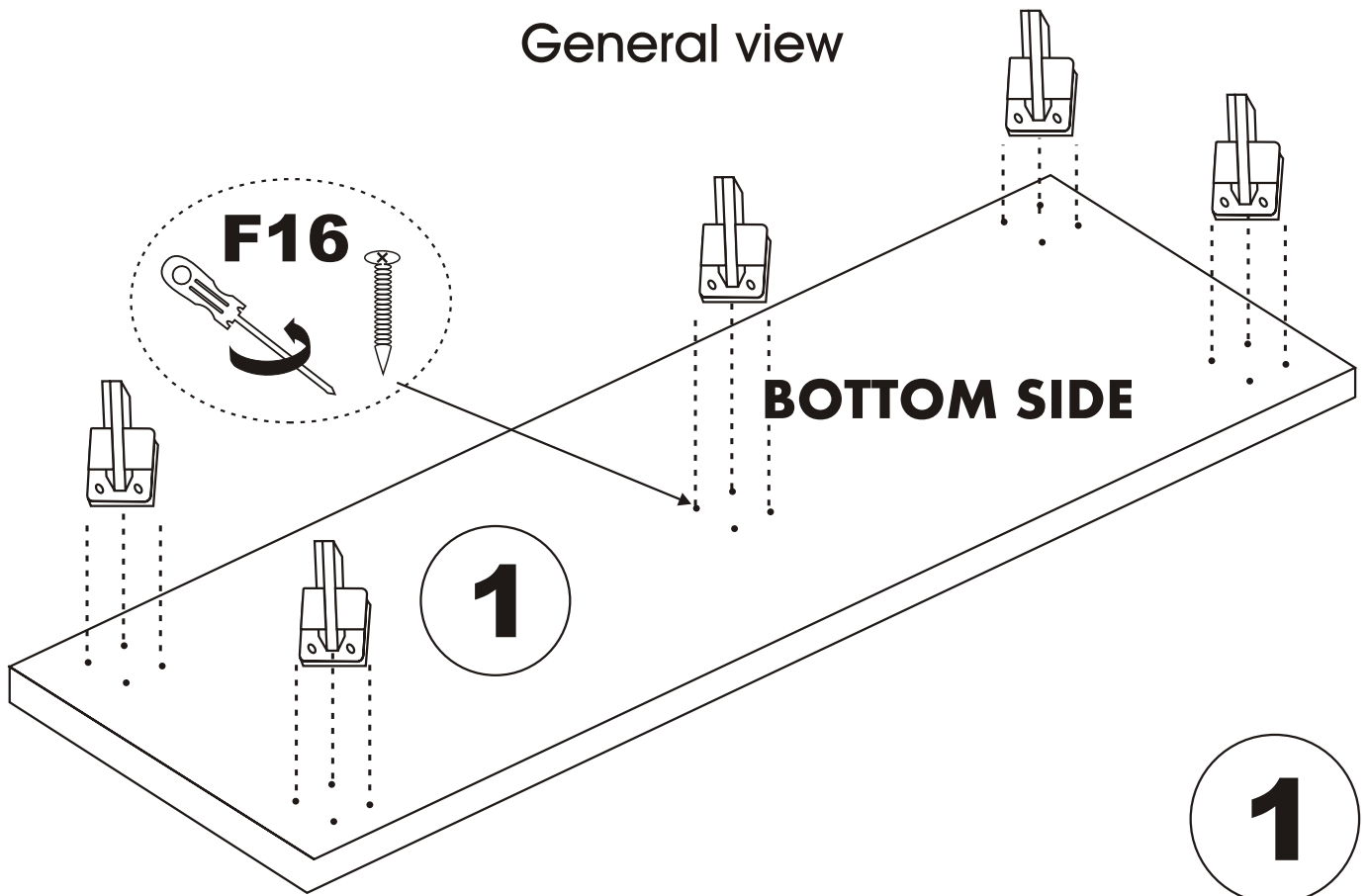
# ATTENTION !!

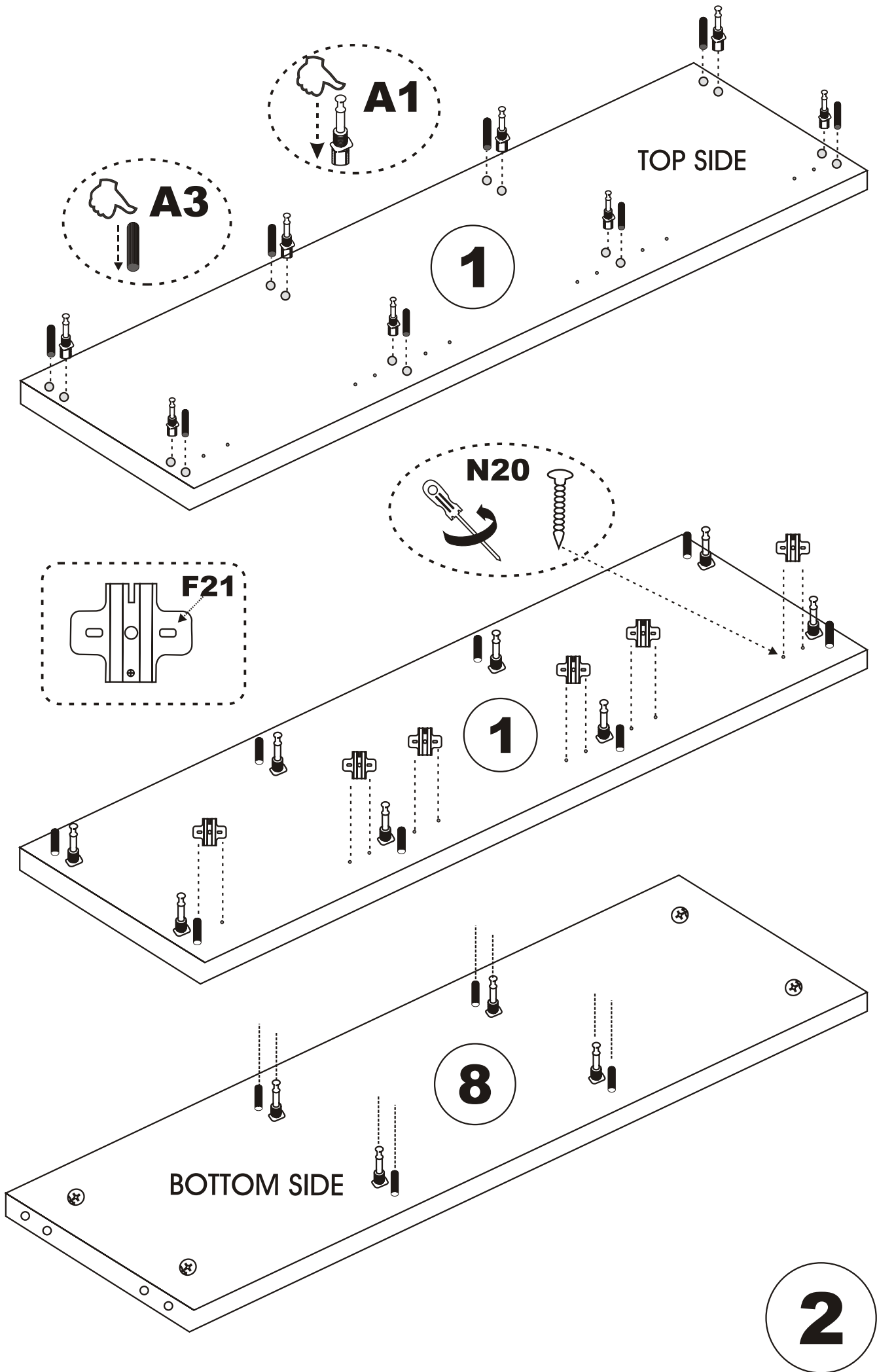
Minifix is the main connection material used in Decortile products ,  
Before starting assembly , Please check the drawings below

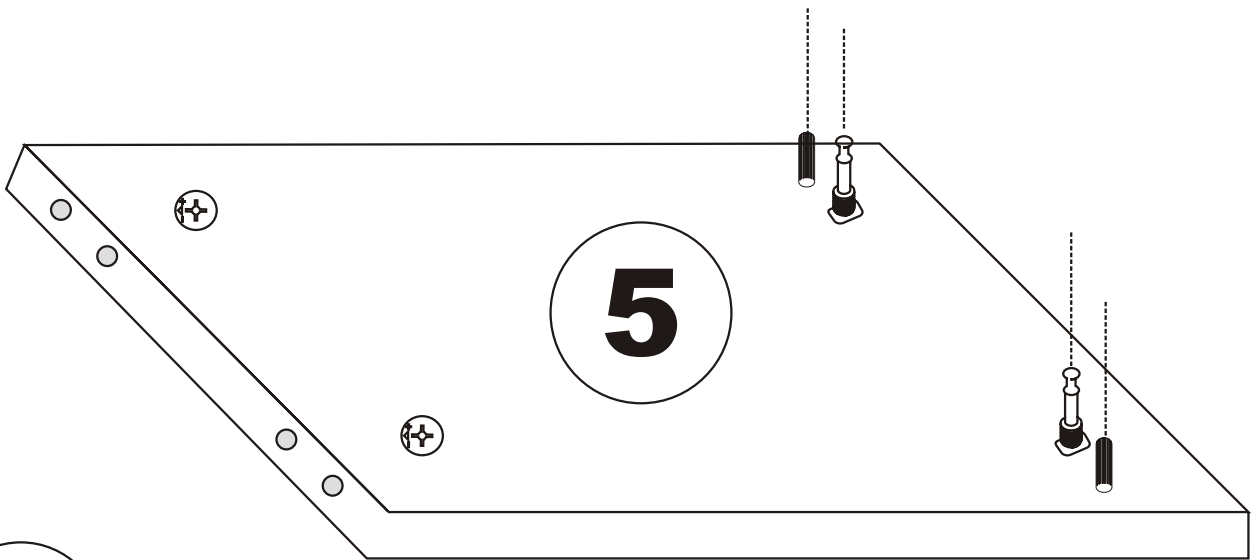
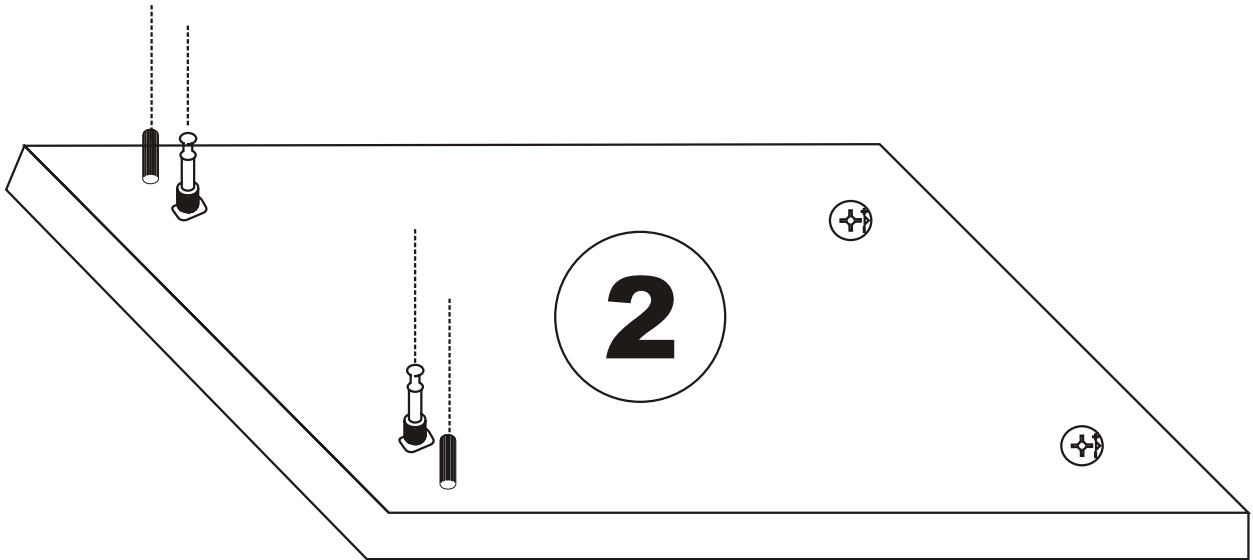
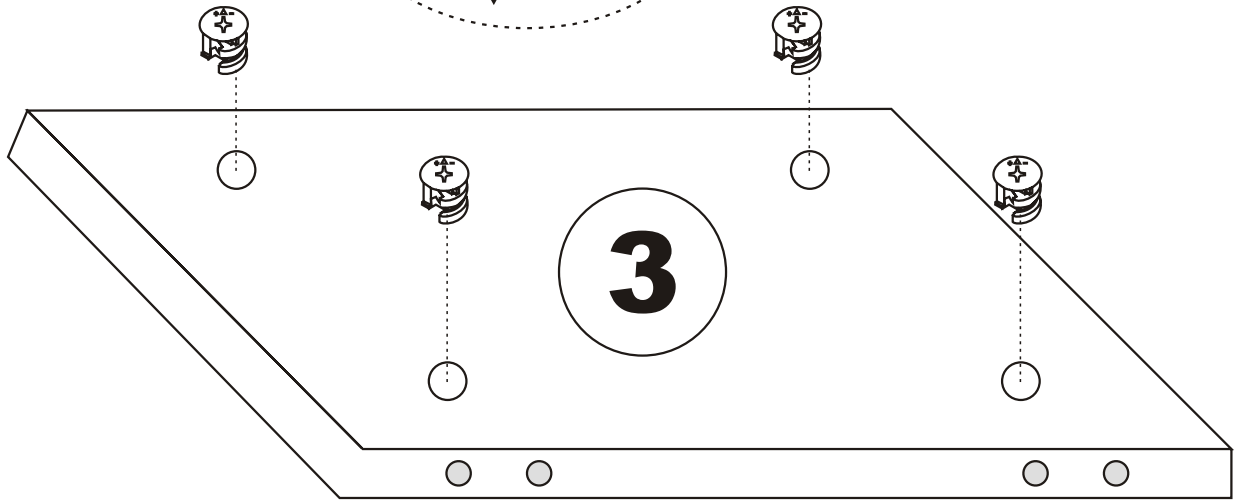
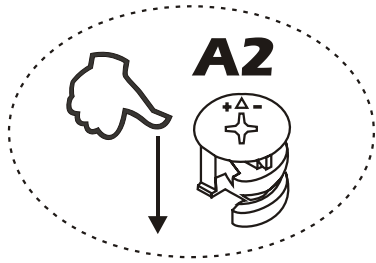
## Accessory List

<b>K10</b>  <b>5X</b>	<b>A1</b> Minifix  <b>16X</b>	<b>A2</b> Minifix  <b>16X</b>	<b>K05</b>  <b>3X</b>
	<b>A3</b>  <b>16X</b>	<b>N20</b> 3,5X18  <b>25X</b>	<b>K03</b>  <b>6X</b>
<b>F16</b>  <b>20X</b>	<b>M18</b>  <b>25X</b>	<b>F21</b>  <b>6X</b>	<b>F22</b>  <b>6X</b>

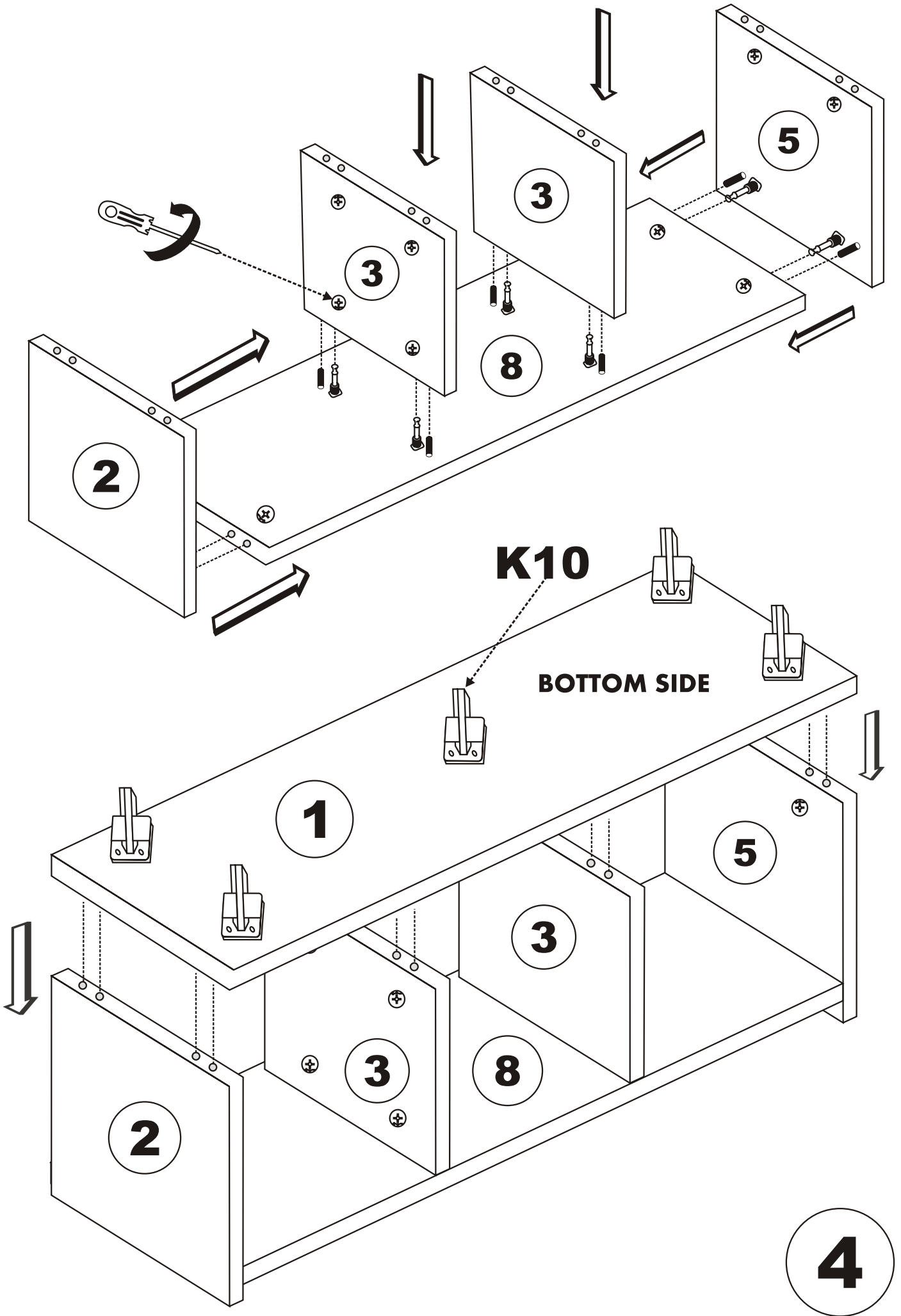
## General view

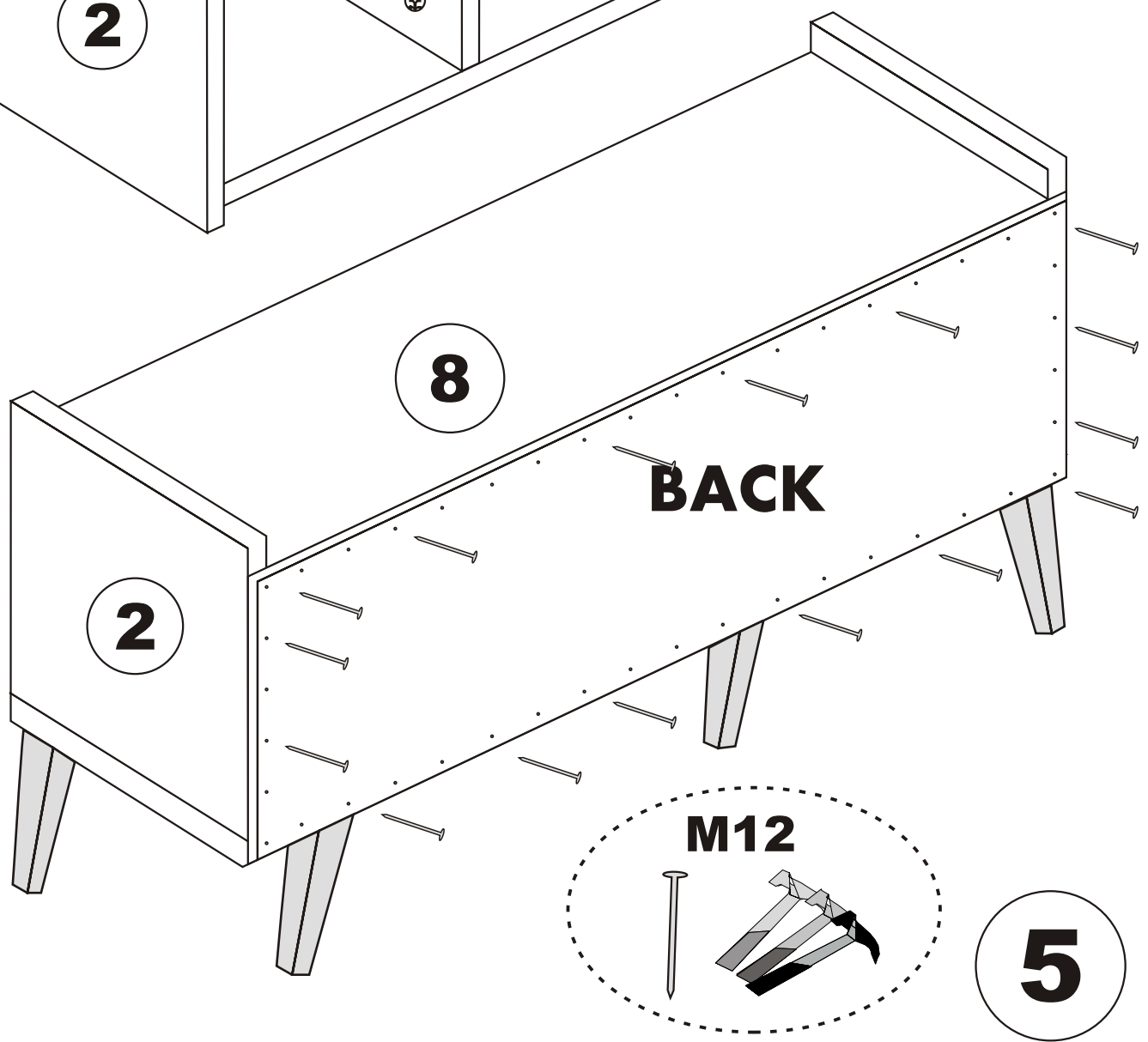
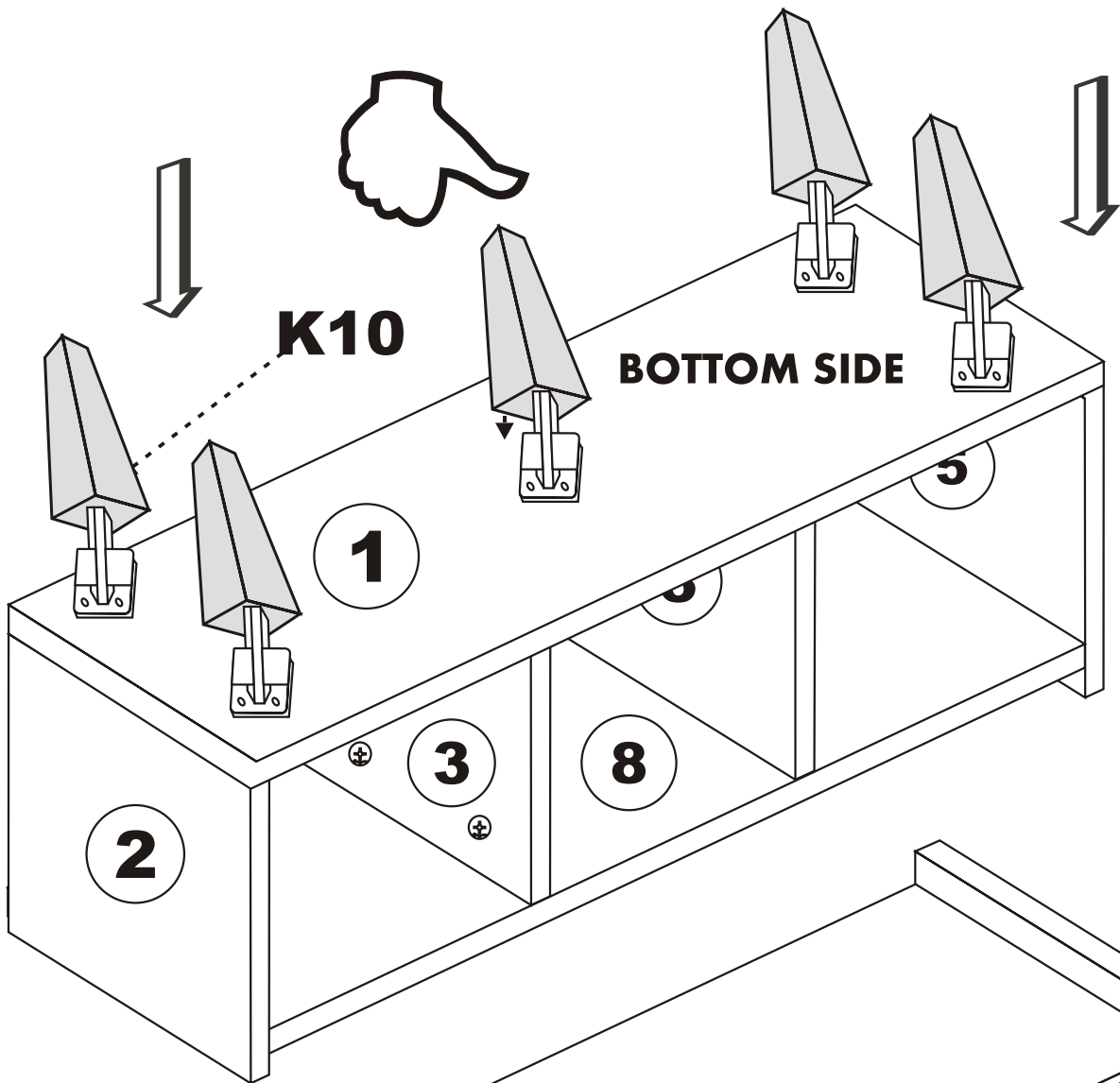


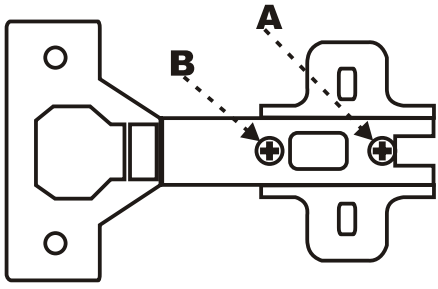








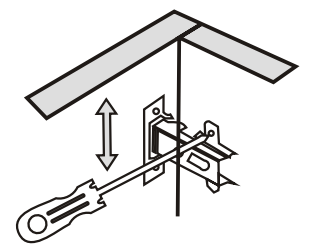
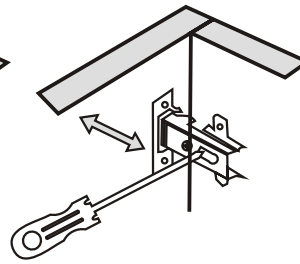
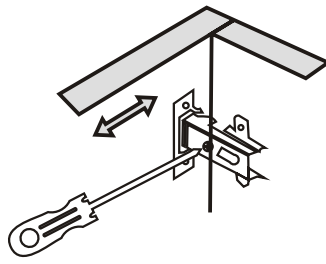




Settings of hinge

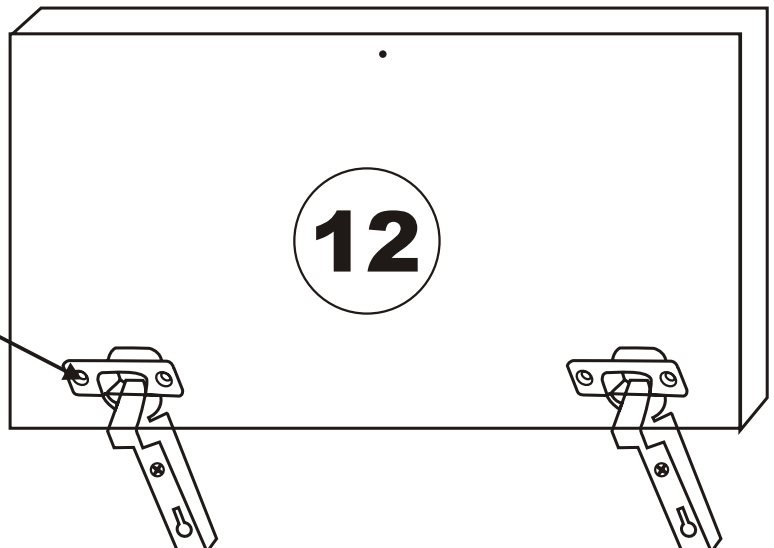
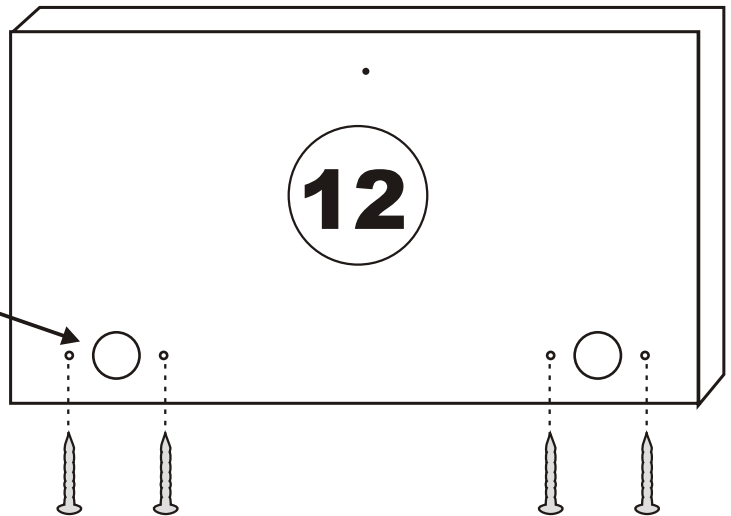
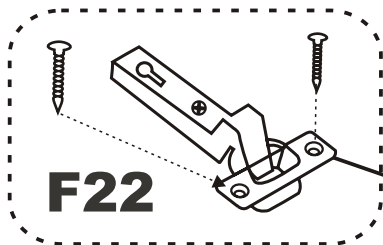
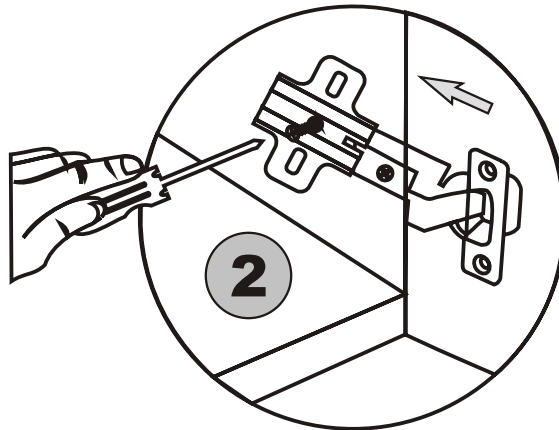
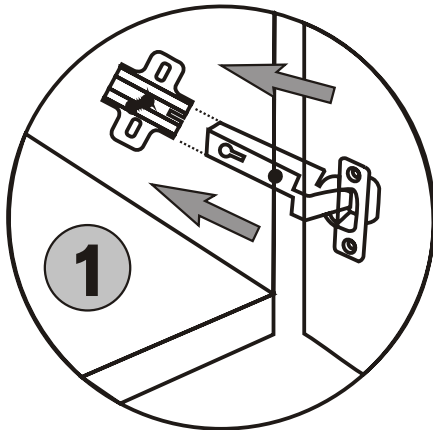
Settings of hinge

Settings of hinge

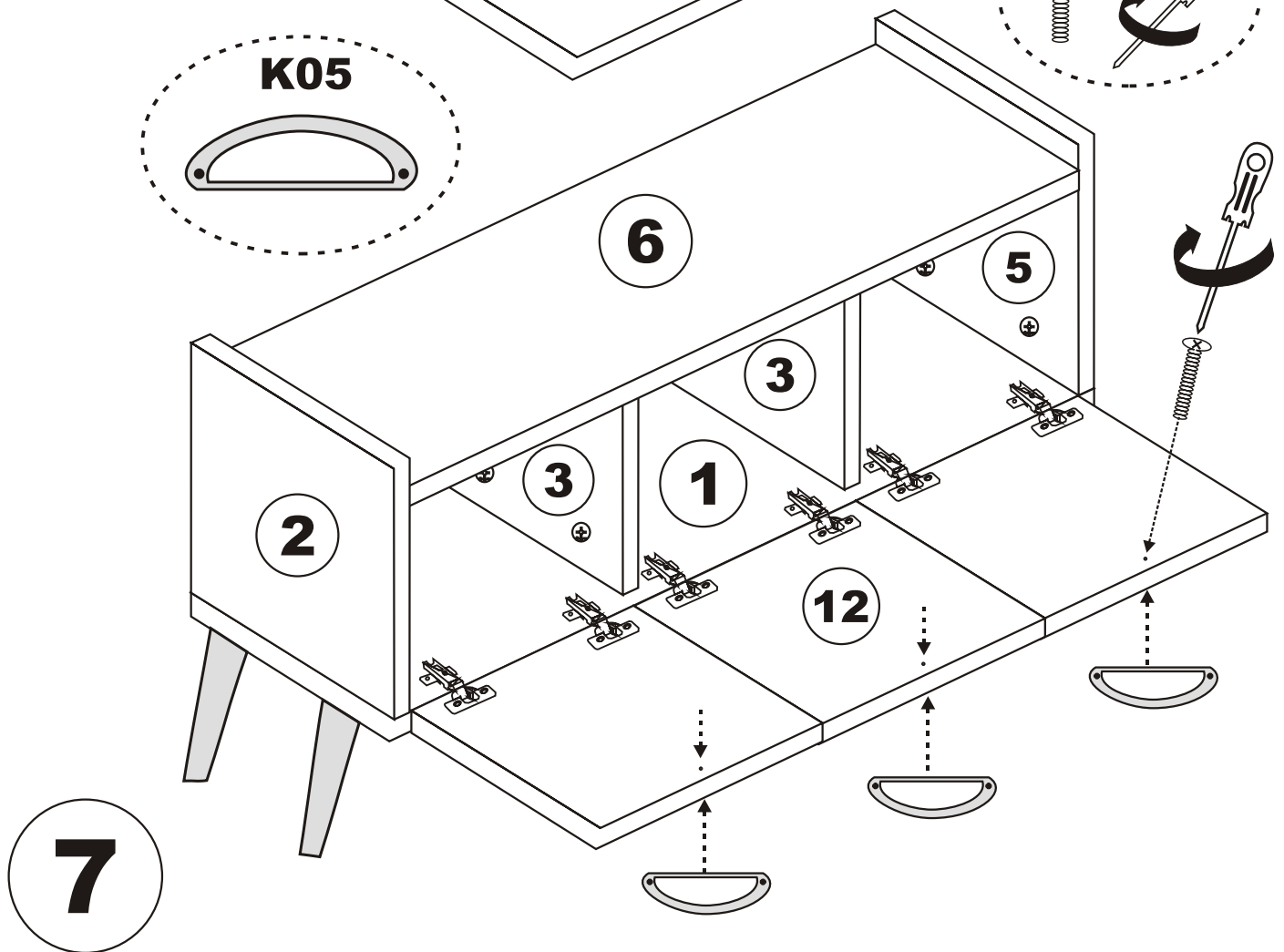
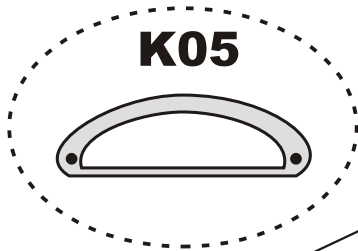
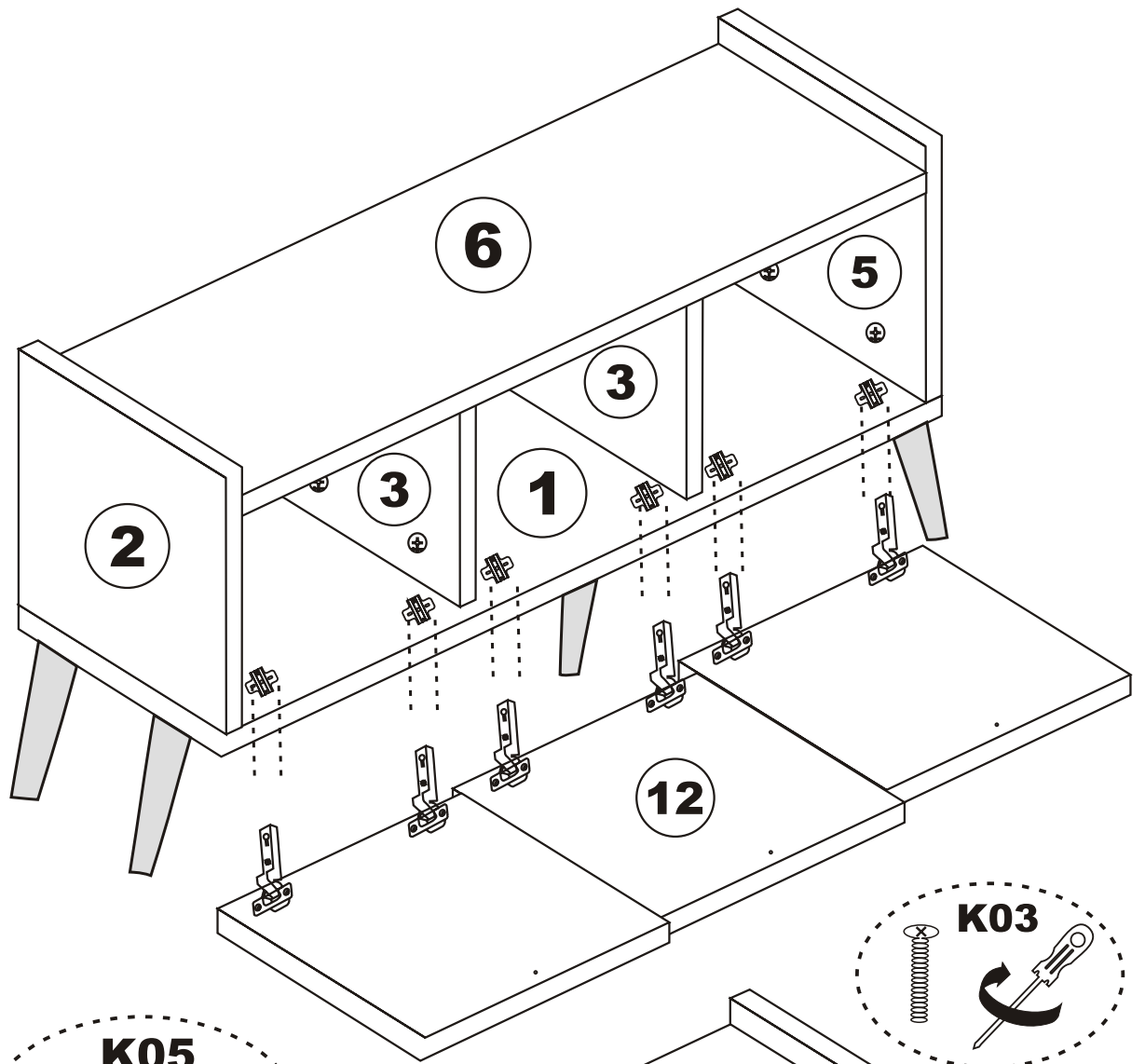


A - To connect the hinge to door  
B - to arrange the door

Arrows to show the directions for arrangement of doors.



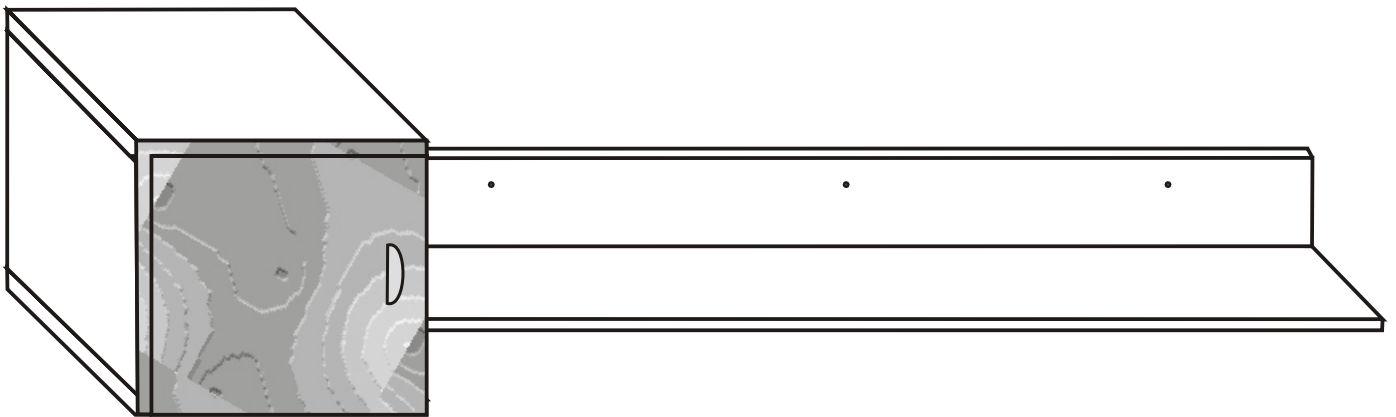
6



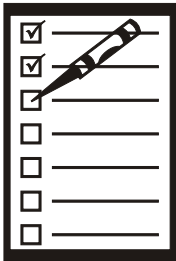
# LIDYA DUAR RAFI

---

## Assembly Manual



**Dear Customer,**  
**We design and produce our products for people to love and have fun with them as we do.**  
**The product you bought was subjected to all sorts of tests and control before sending out to you**



**Before start assembling,please chesck the whole components and accessories according to the lists.**

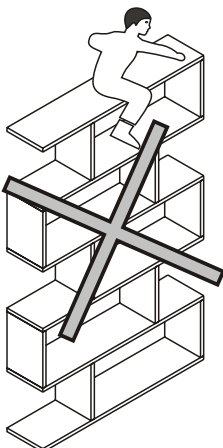
**If you bought more than one product,to prevent confusion be sure that you completed the first product. Then start the other product's assembling**



**Before start assembling,please clean all the compenents with a damp cloth . Also for usual cleaning,this will be enough**



**Despite the careful control and packaging of the products,if you encounter a problem during shipping check the necessary parts and contact the dealer from whom you bought the product in case of a problem**

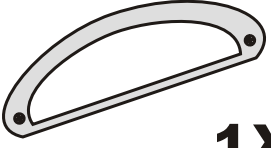
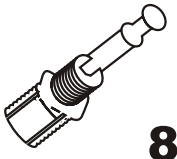
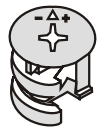
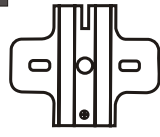
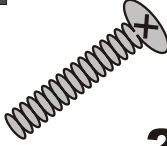
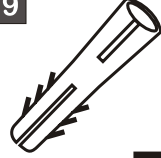

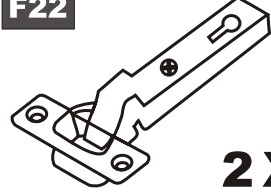

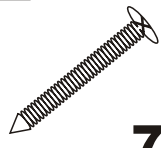
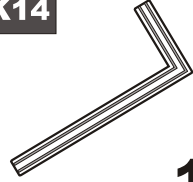
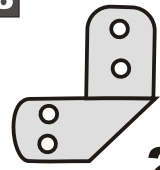


**Do not use your furniture for out of purposes.Do not directly contact your furniture with excessive heat, cold and humidity because the product can be affected..**

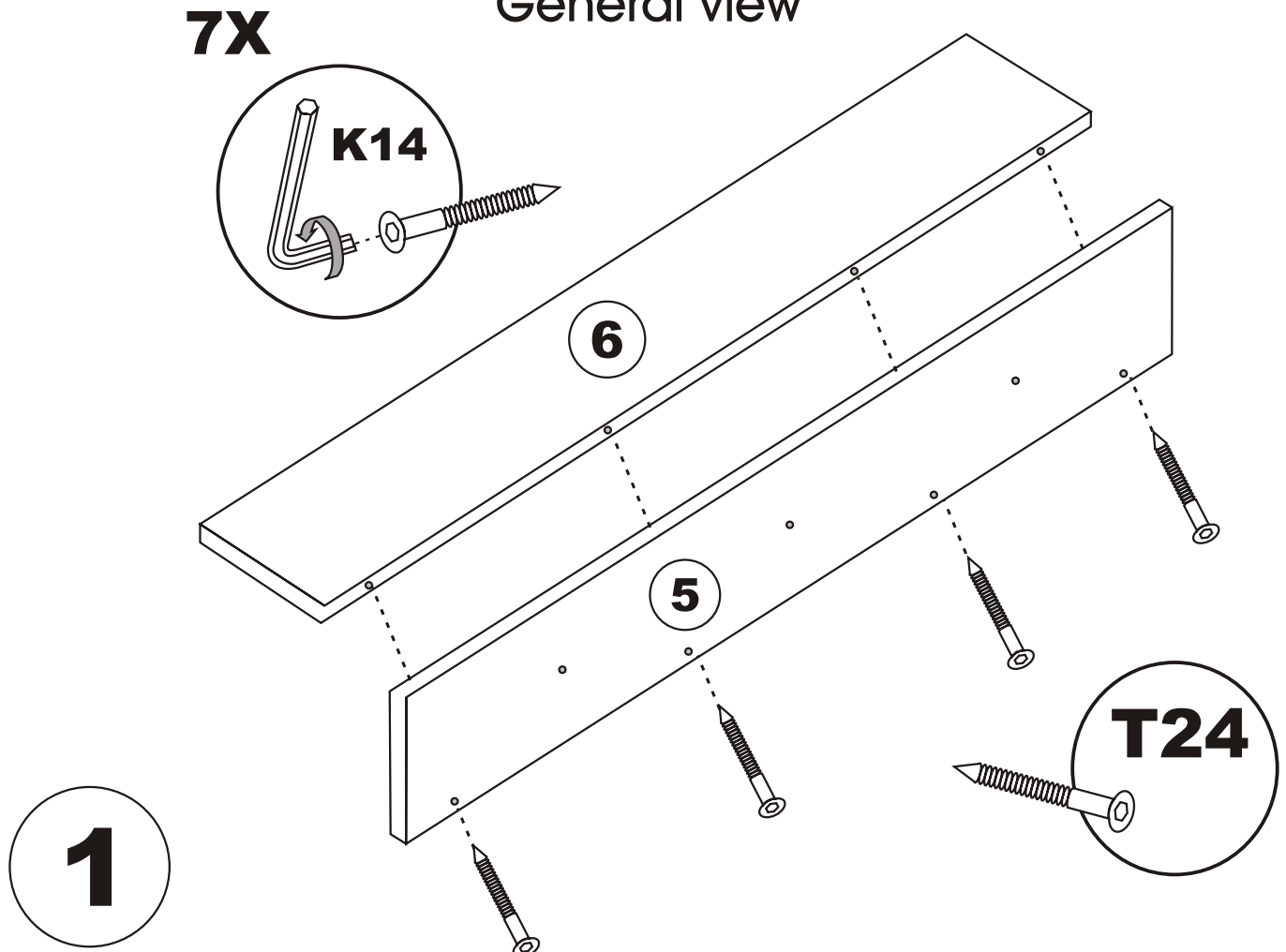
# ATTENTION !!

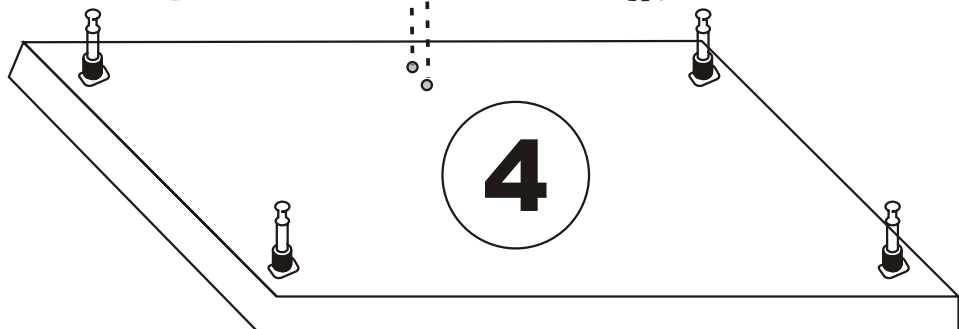
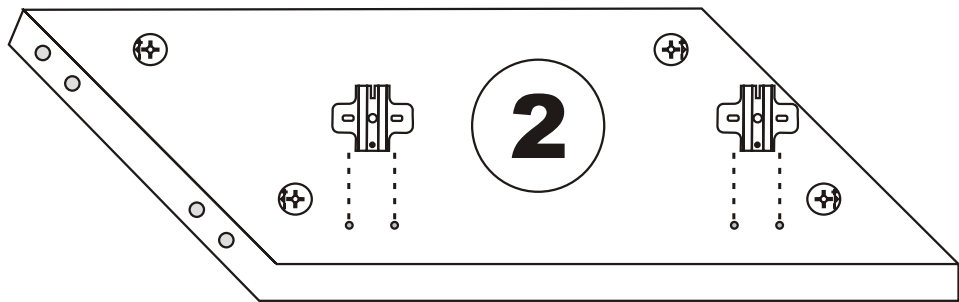
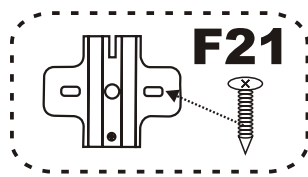
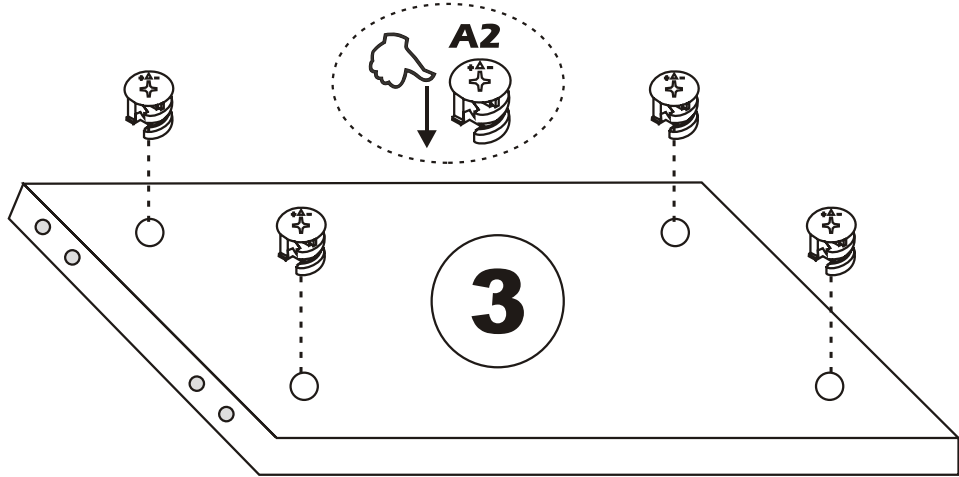
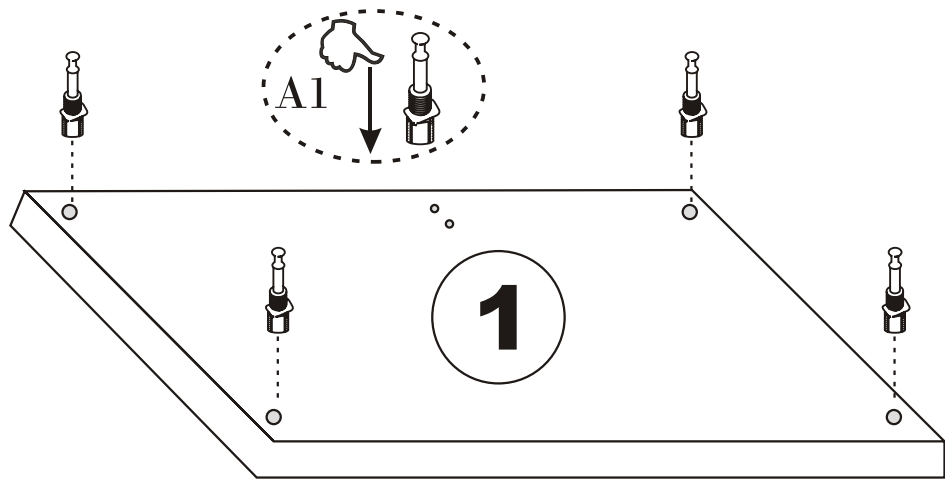
Minifix is the main connection material used in Decortile products ,  
Before starting assembly , Please check the drawings below

## Accessory List

<b>K05</b>  <b>1X</b>	<b>A1</b> Minifix  <b>8X</b>	<b>A2</b> Minifix  <b>8X</b>	<b>F21</b>  <b>2X</b>
<b>K03</b>  <b>2X</b>	<b>N19</b>  <b>7X</b>	<b>N20</b> 3,5X18  <b>12X</b>	<b>F22</b>  <b>2X</b>
<b>T24</b> 6x50m  <b>4X</b>	<b>F16</b>  <b>7X</b>	<b>K14</b>  <b>1X</b>	<b>Y18</b>  <b>2X</b>

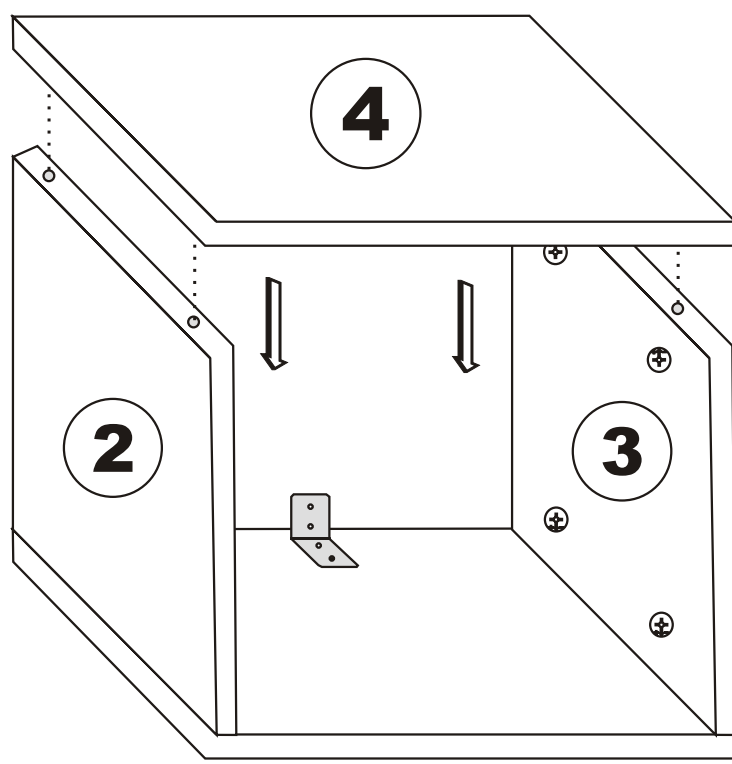
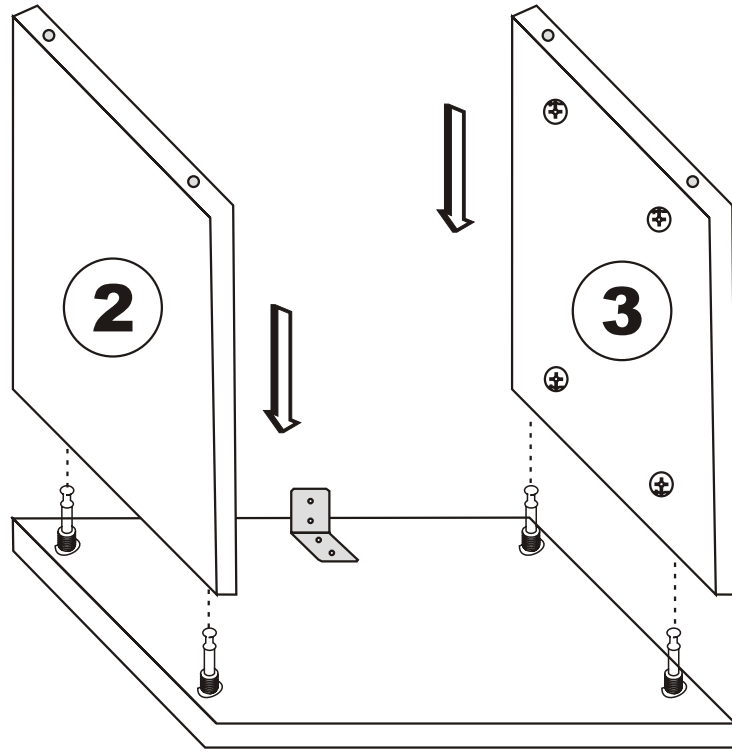
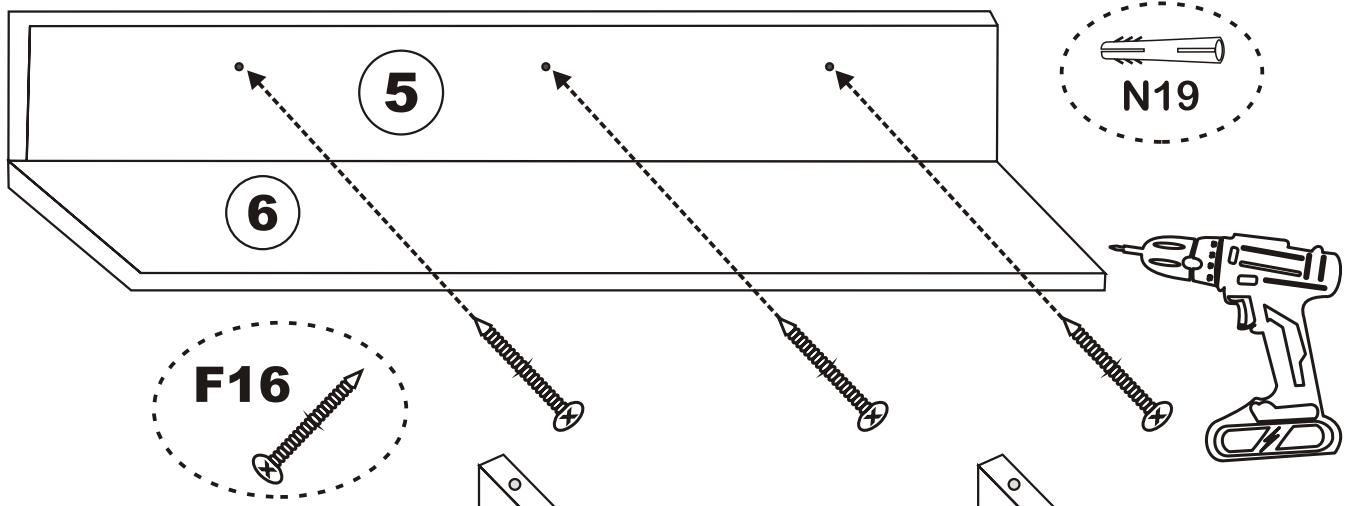
## General view





**2**



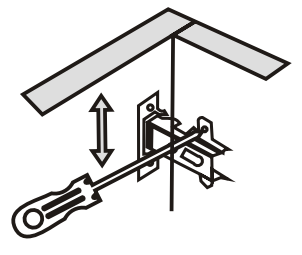
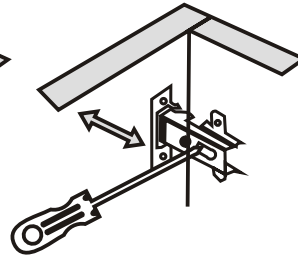
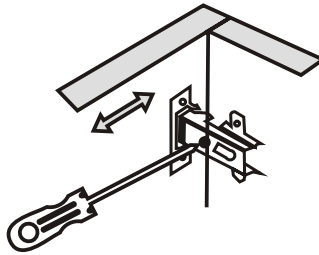
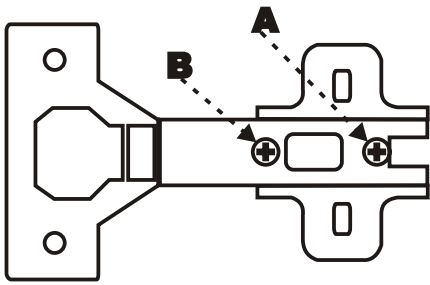


**3**

Settings of hinge

Settings of hinge

Settings of hinge



**A** - To connect the hinge to door  
**B** - to arrange the door

Arrows to show the directions for arrangement of doors.

