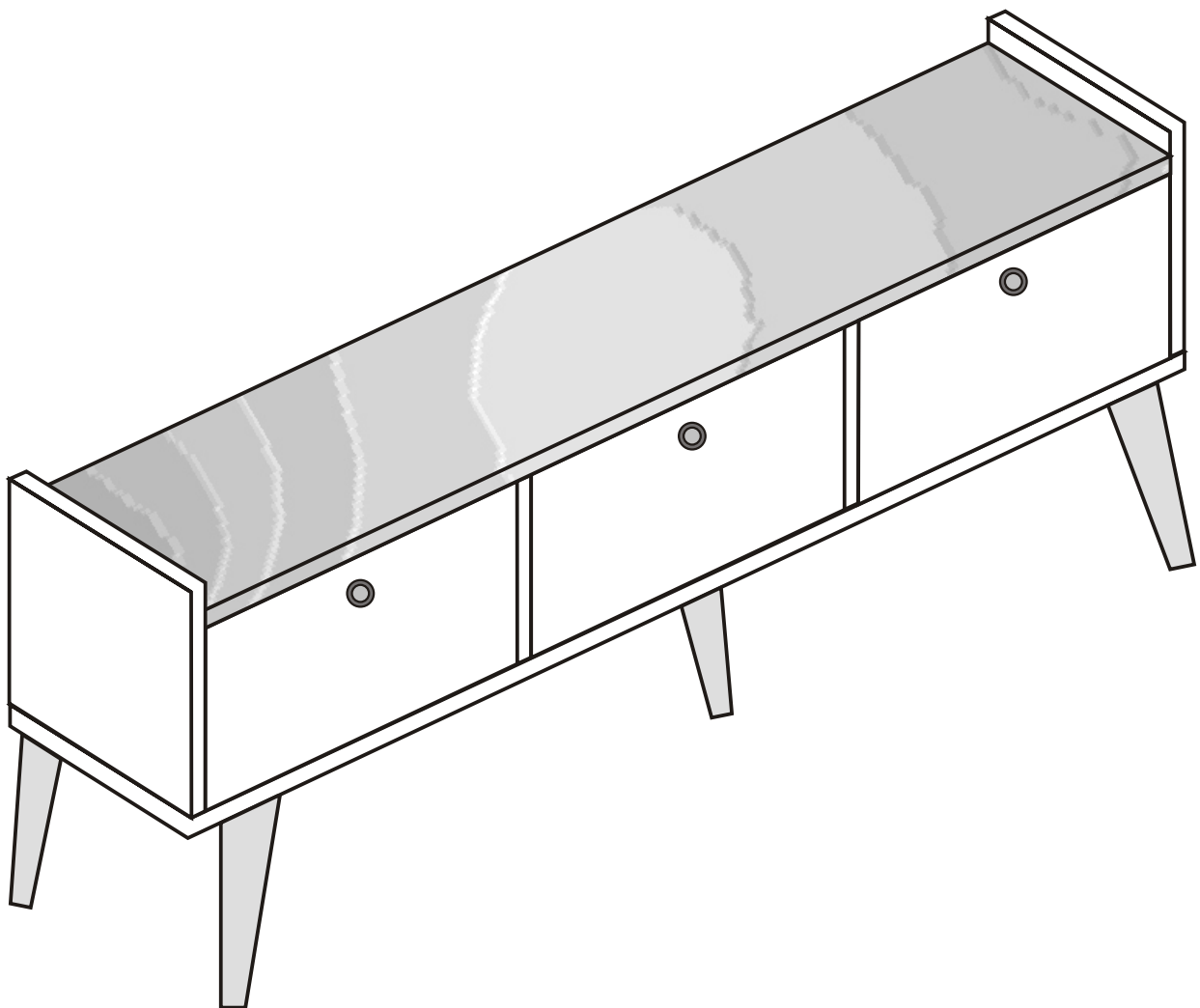


LIDYA . TV

Assembly Manual

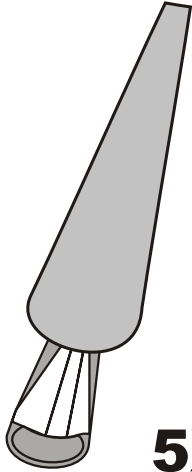
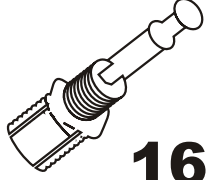


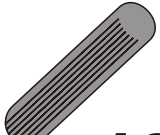

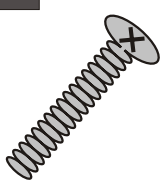

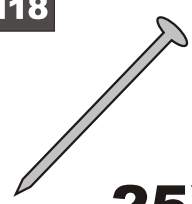
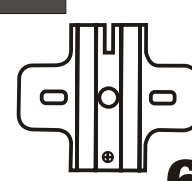
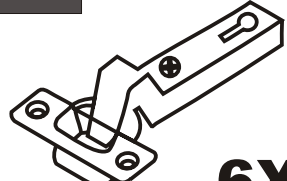


Kalune Design
Furniture

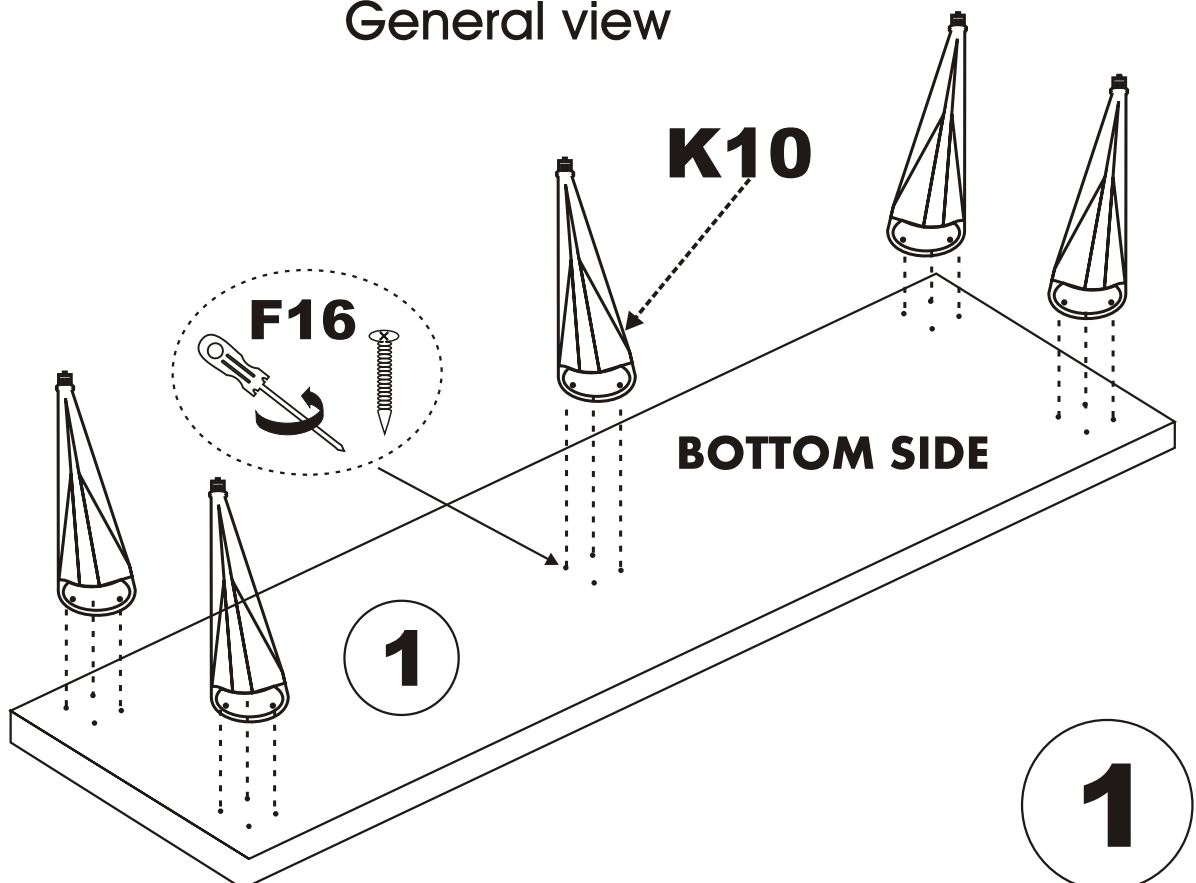
ATTENTION !!

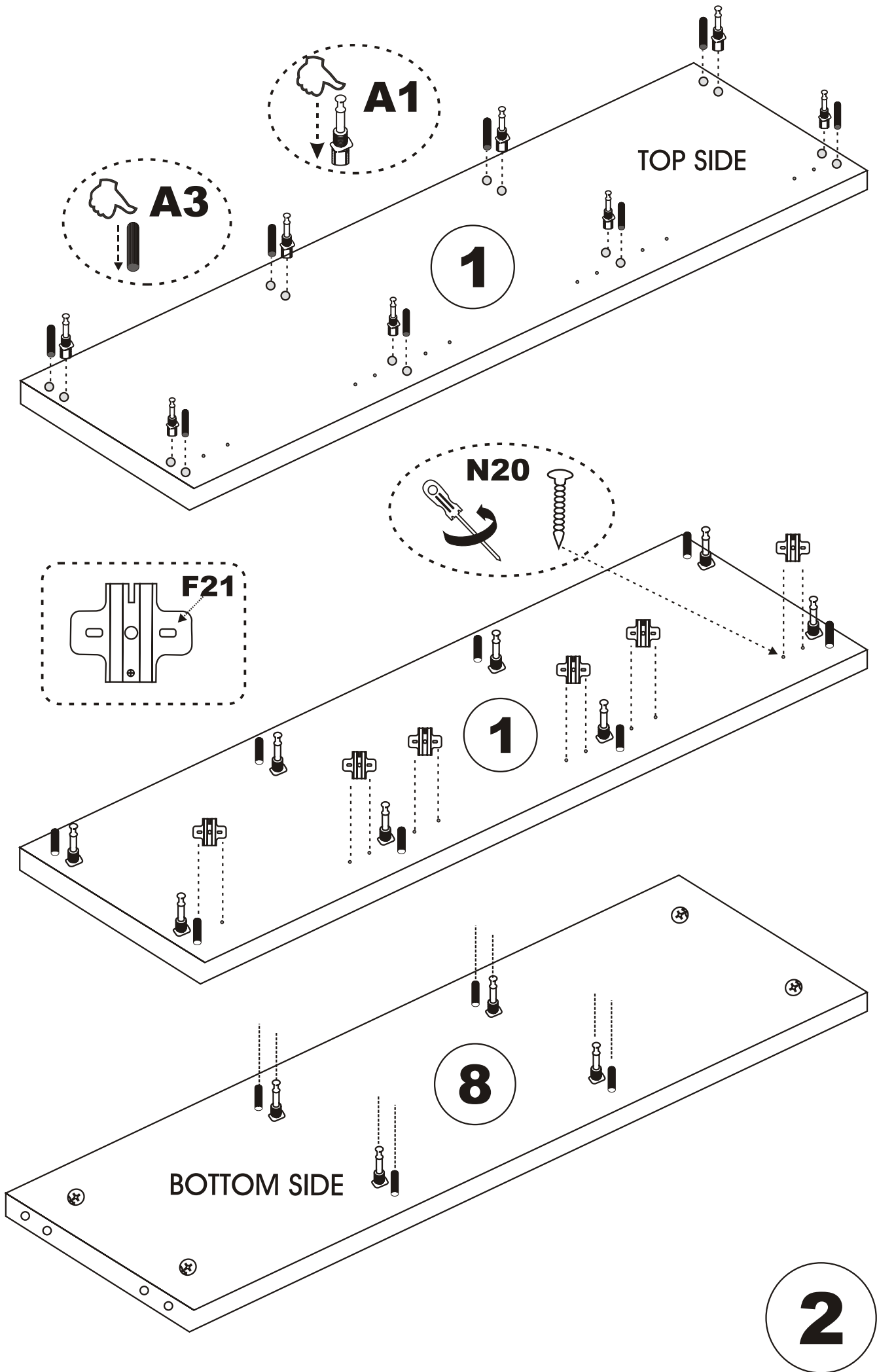
Minifix is the main connection material used in Decortile products ,
Before starting assembly , Please check the drawings below

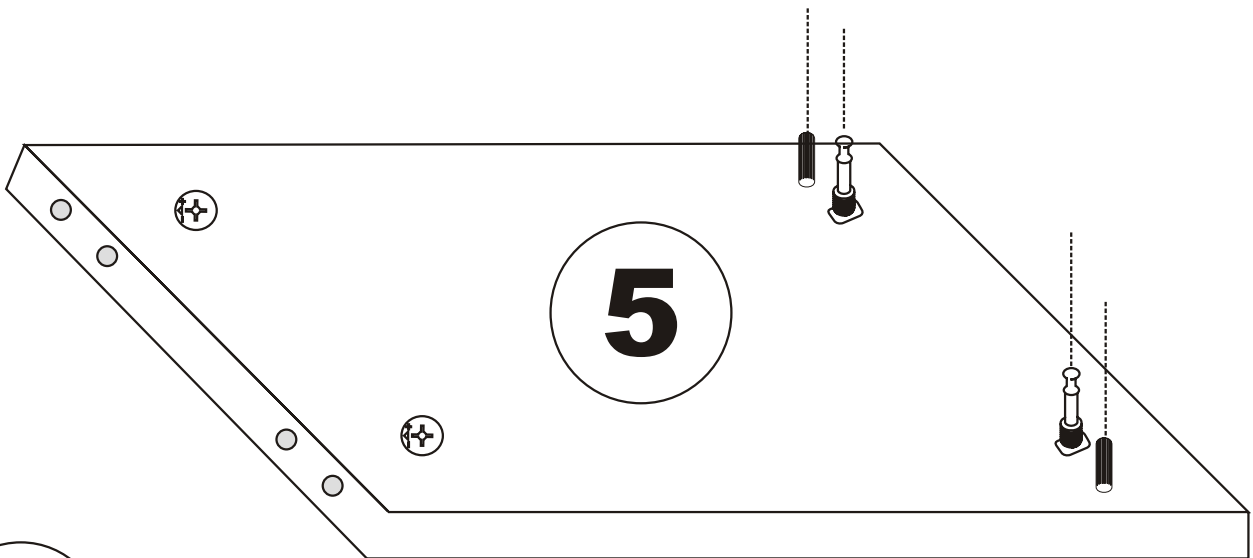
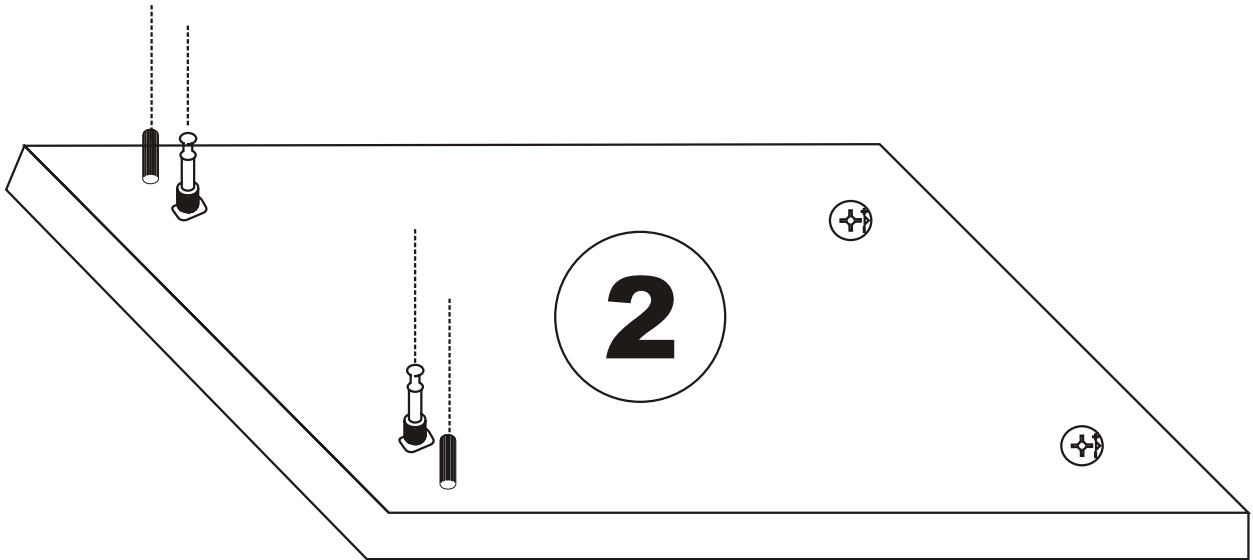
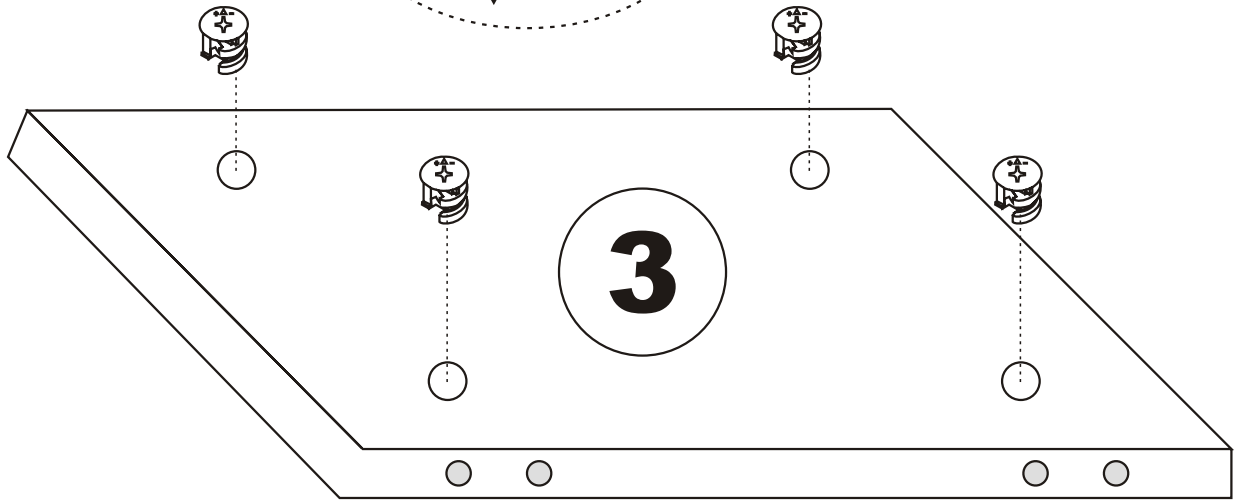
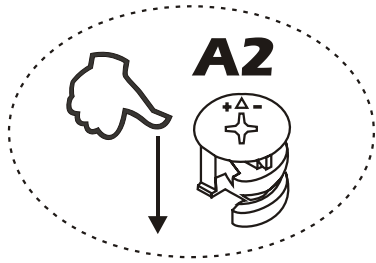
Accessory List

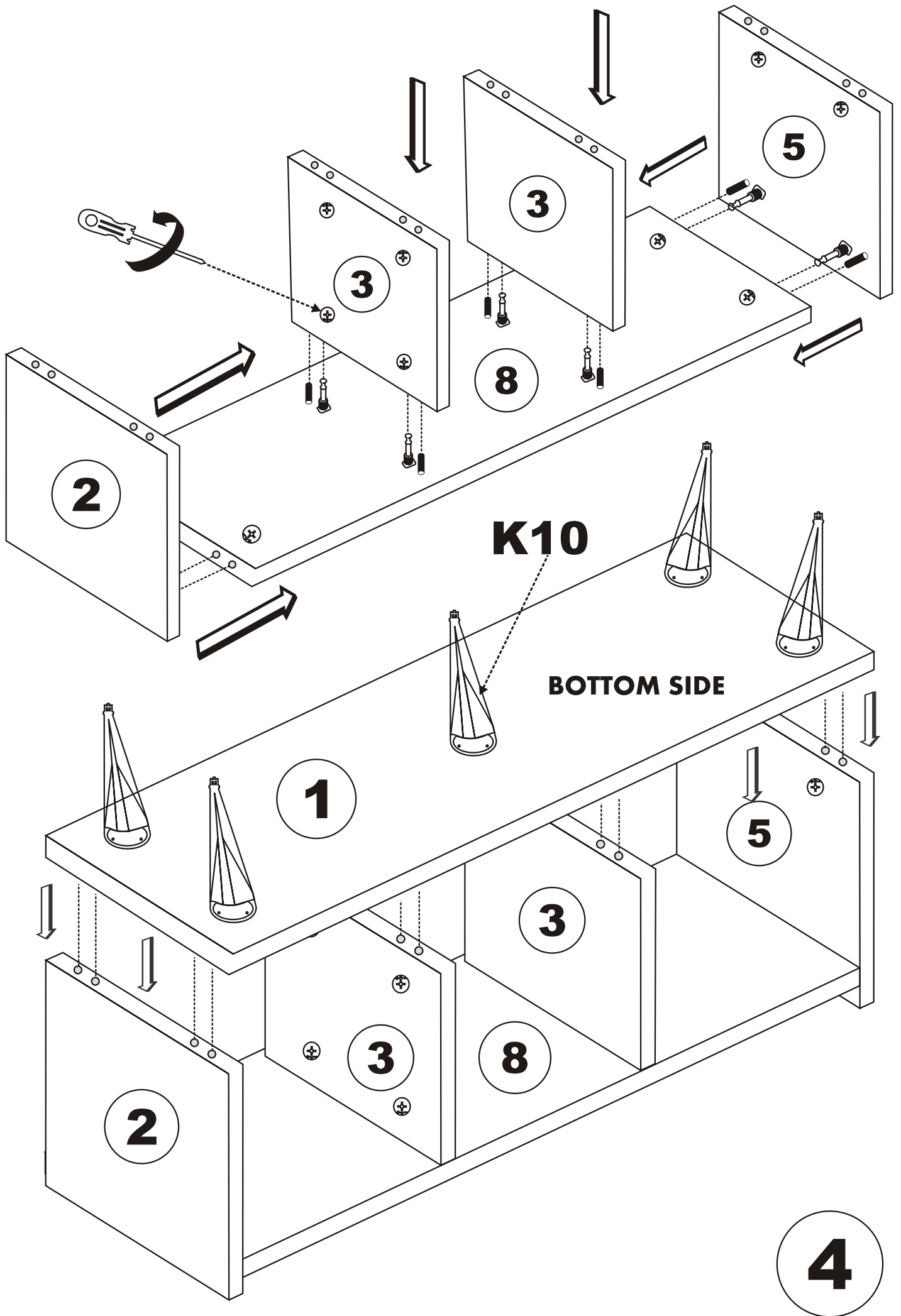
K10  5X	A1 Minifix  16X	A2 Minifix  16X	K05  3X
	A3  16X	N20 3,5X18  25X	K03  3X
F16  20X	M18  25X	F21  6X	F22  6X

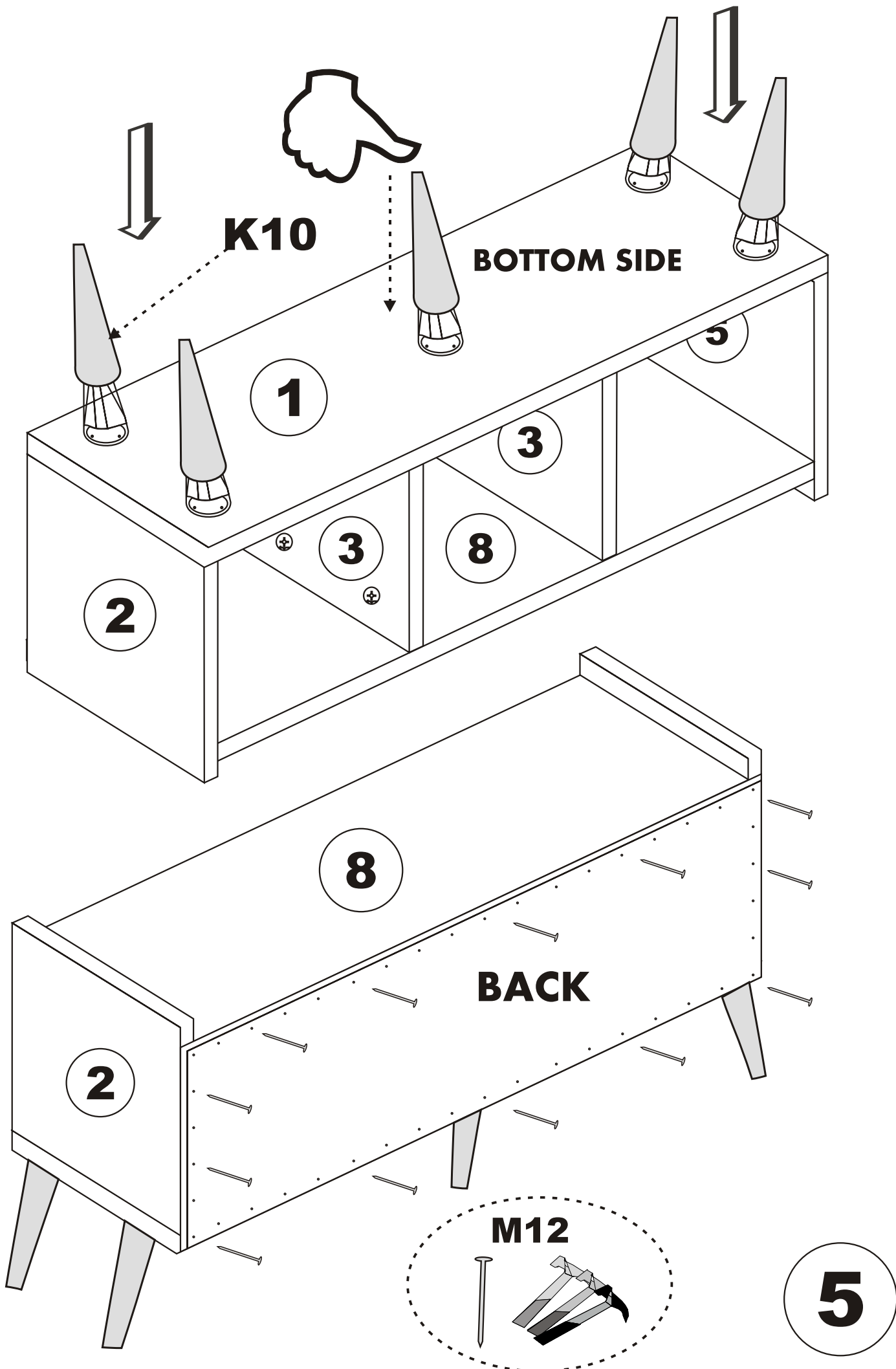
General view

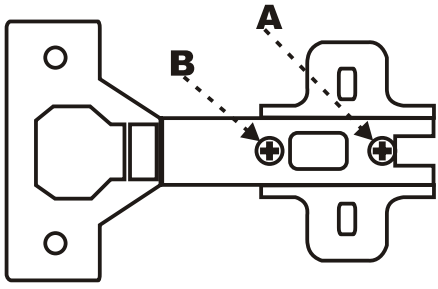








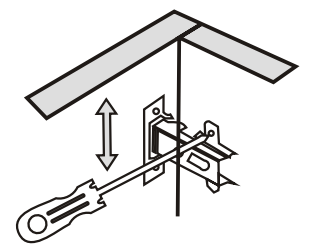
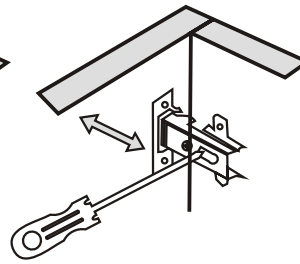
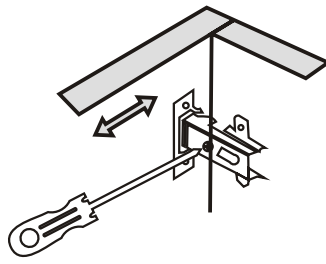




Settings of hinge

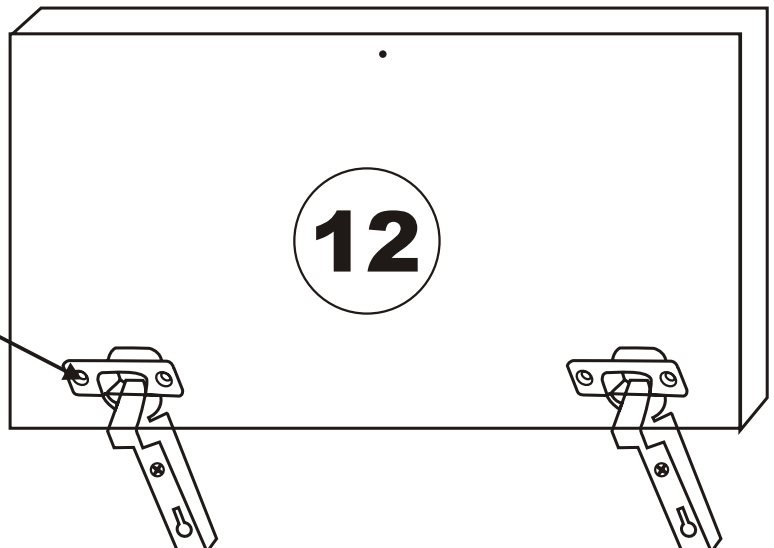
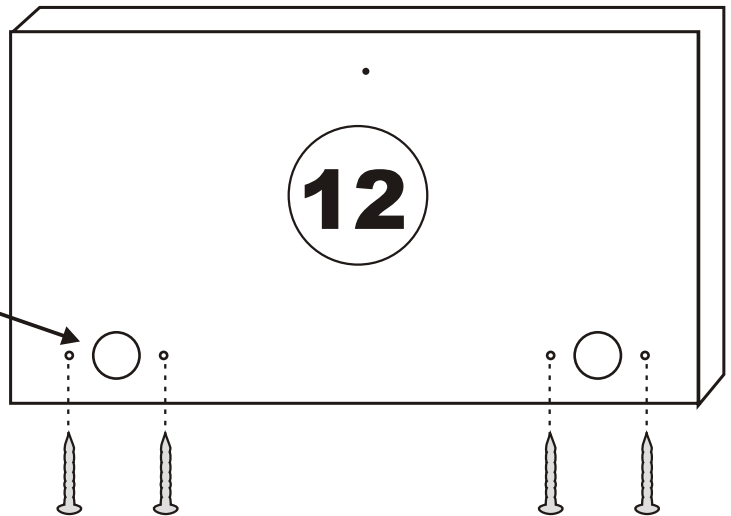
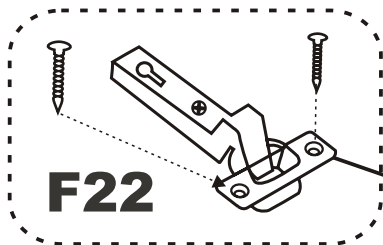
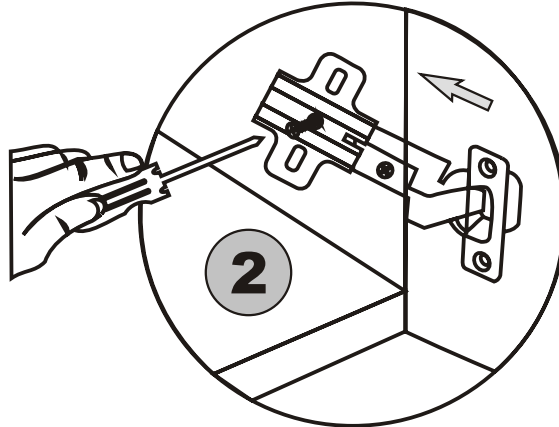
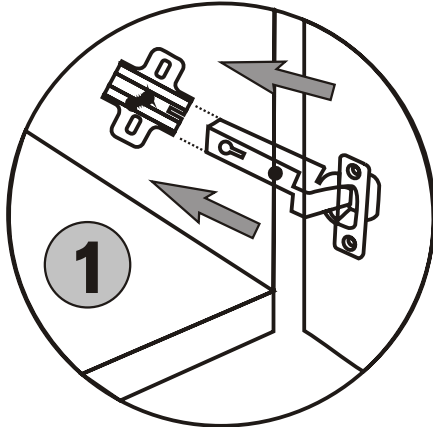
Settings of hinge

Settings of hinge

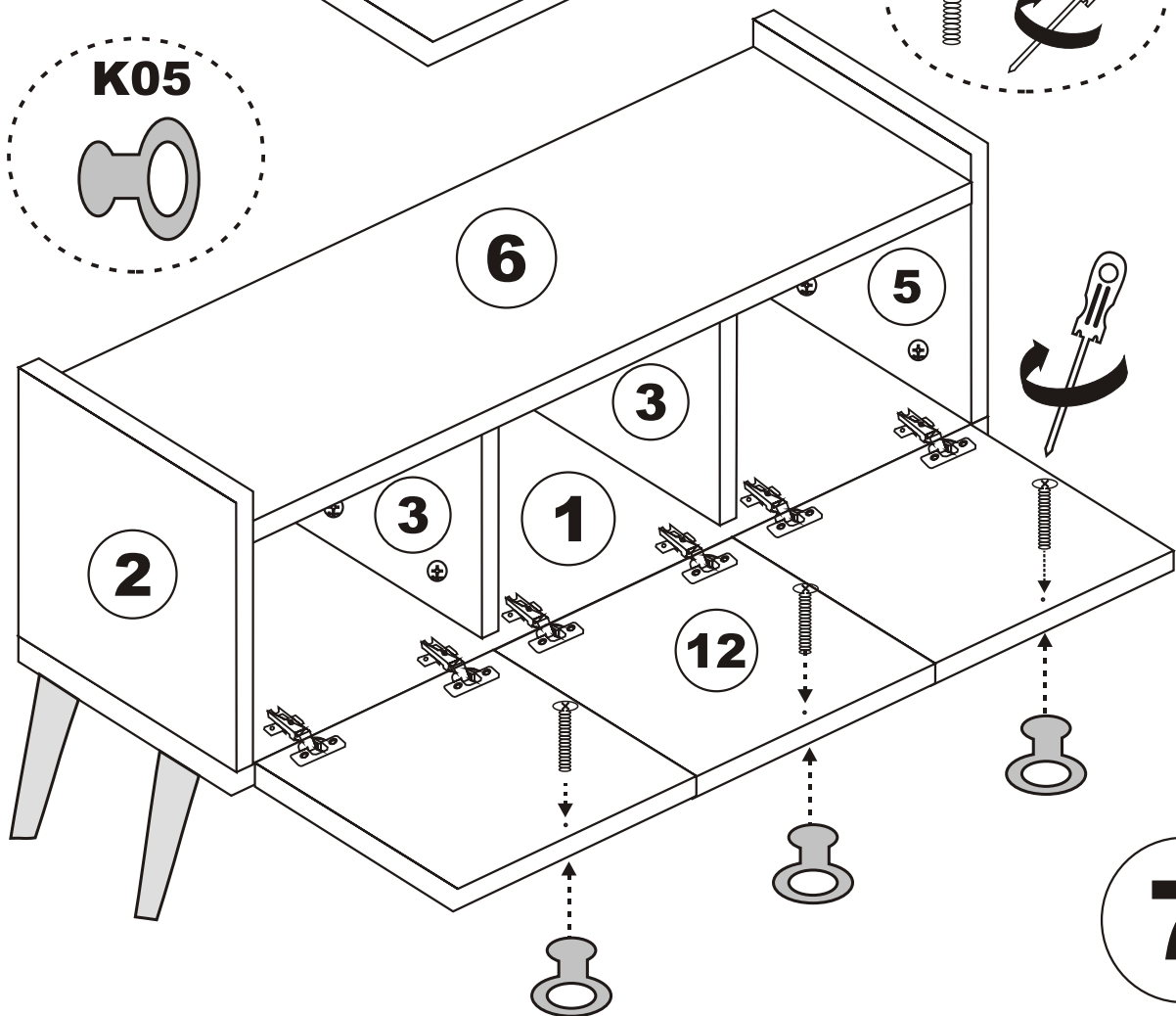
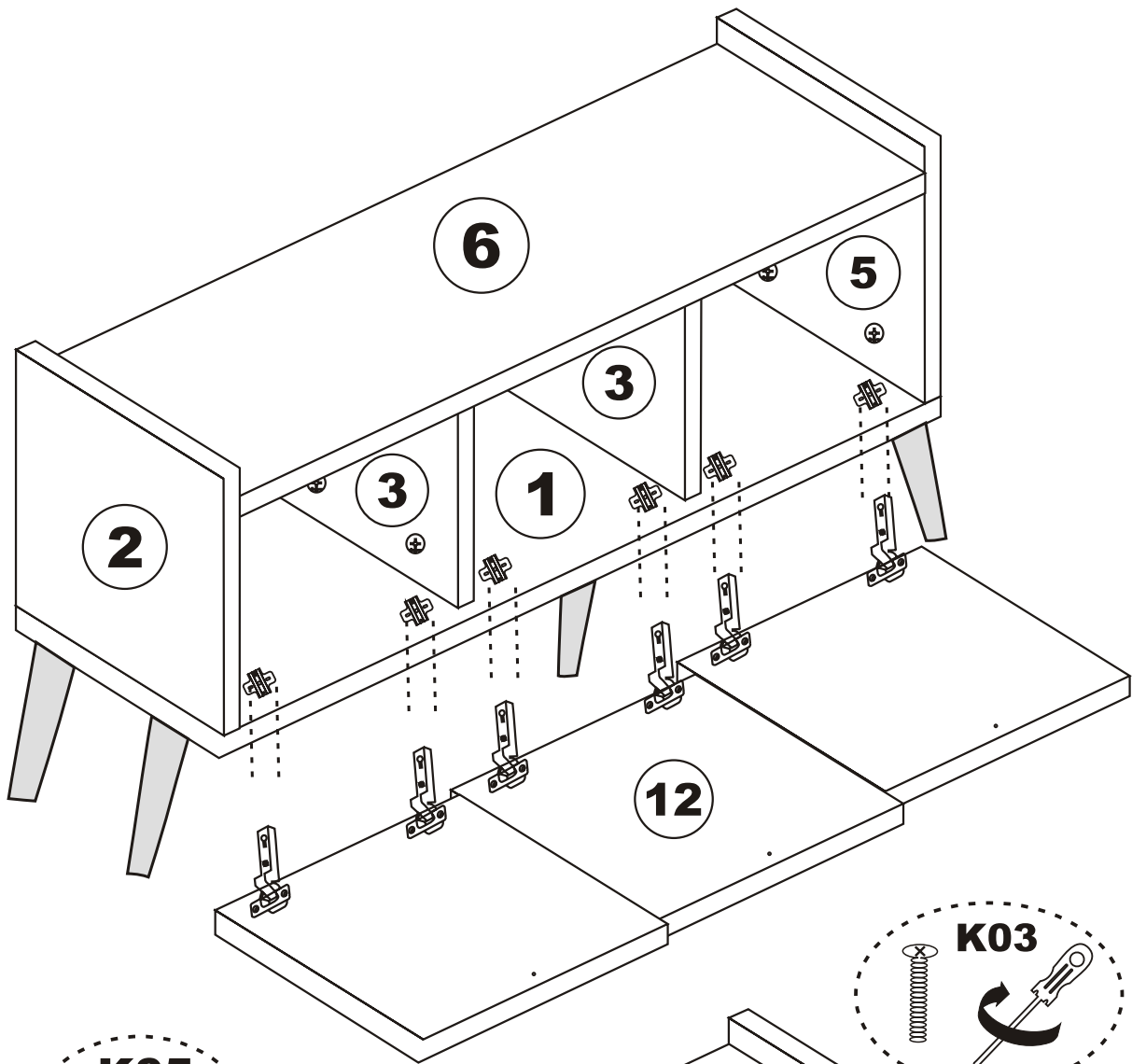


A - To connect the hinge to door
B - to arrange the door

Arrows to show the directions for arrangement of doors.



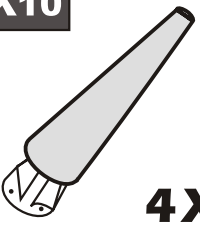


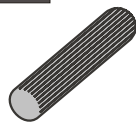

6



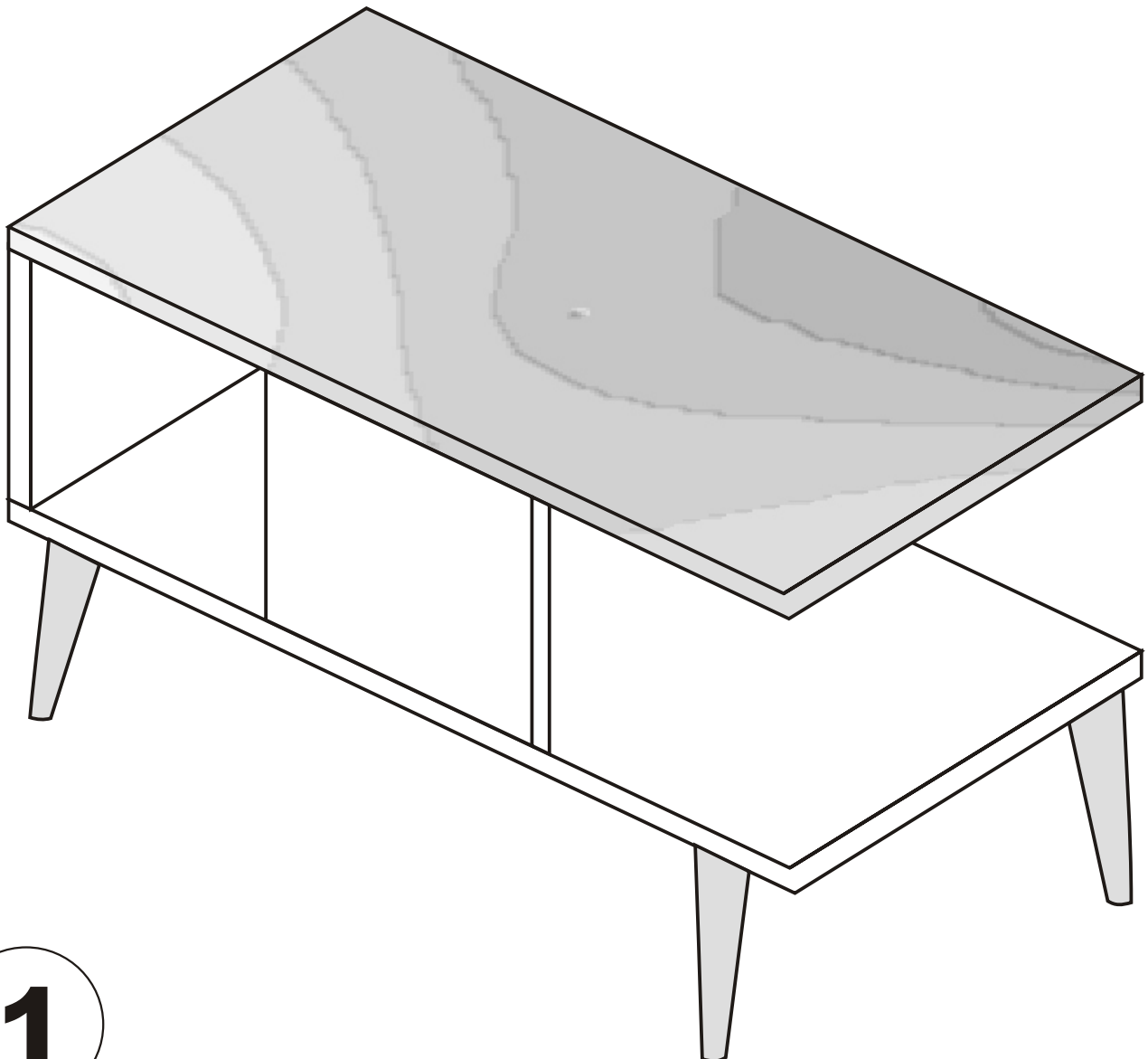
COFFEE TABLE

ATTENTION !!

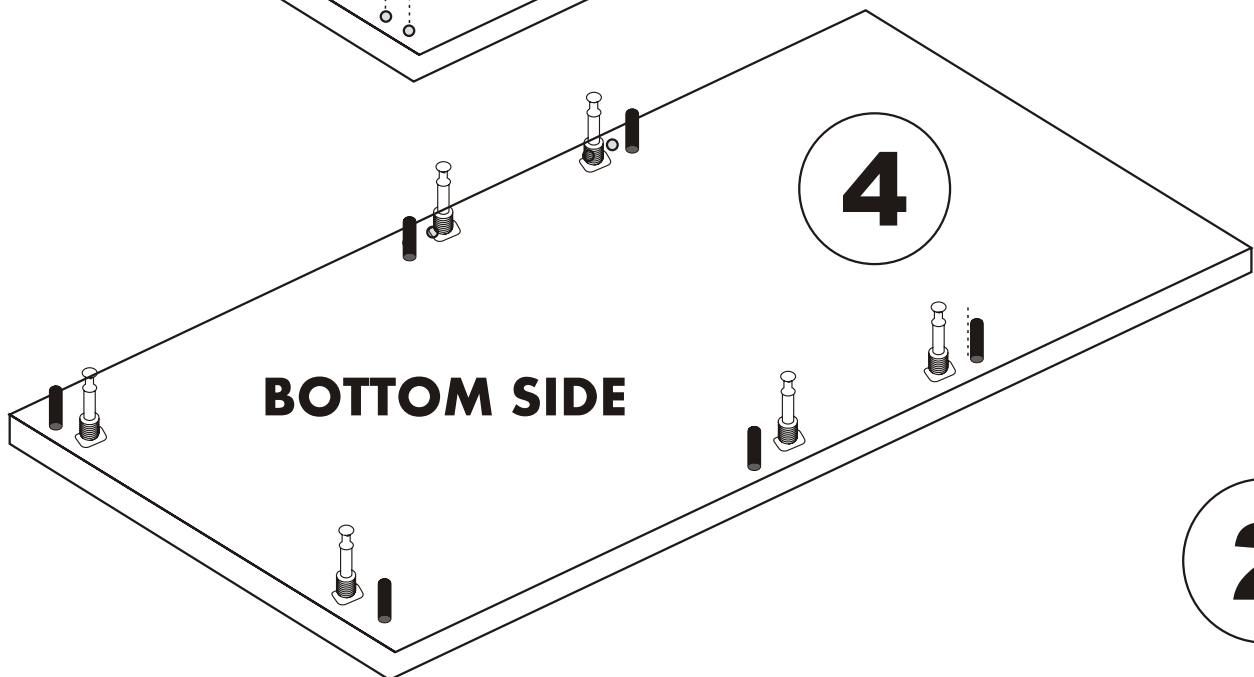
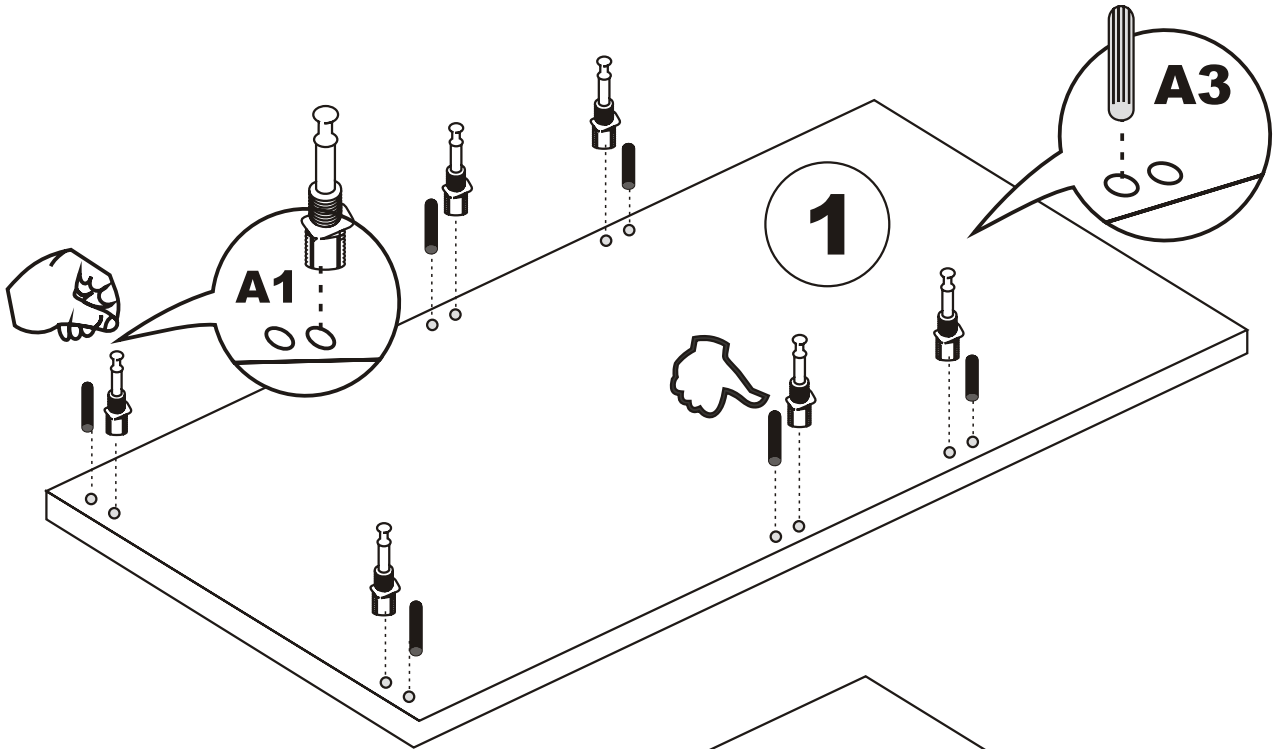
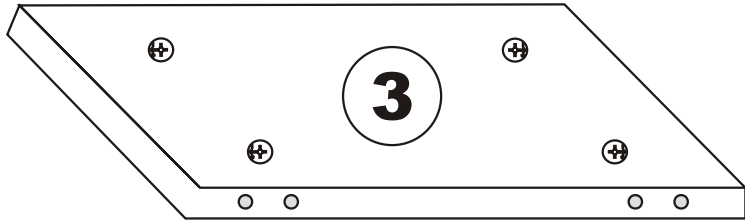
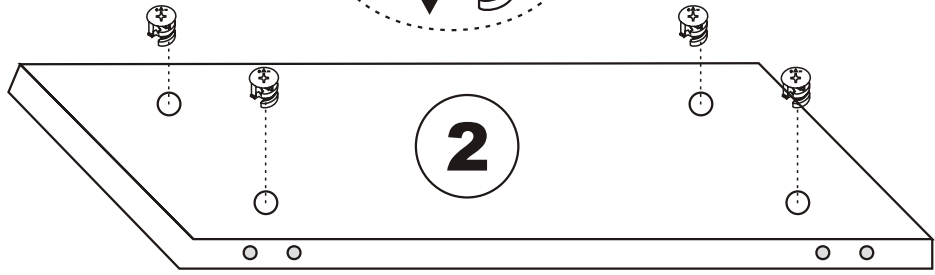
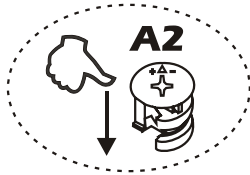
Minifix is the main connection material used in Decortile products ,
Before starting assembly , Please check the drawings below
Accessory List

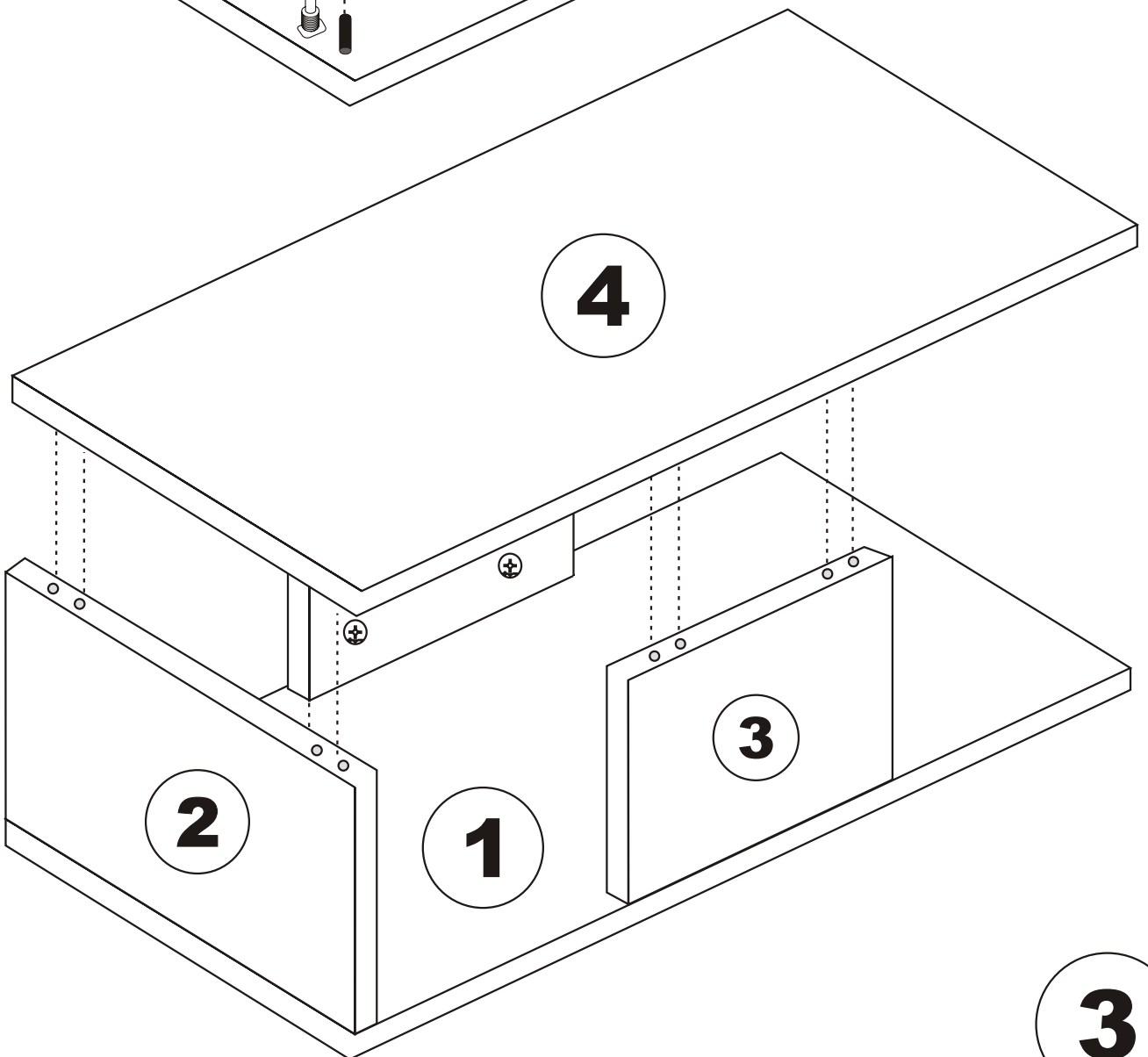
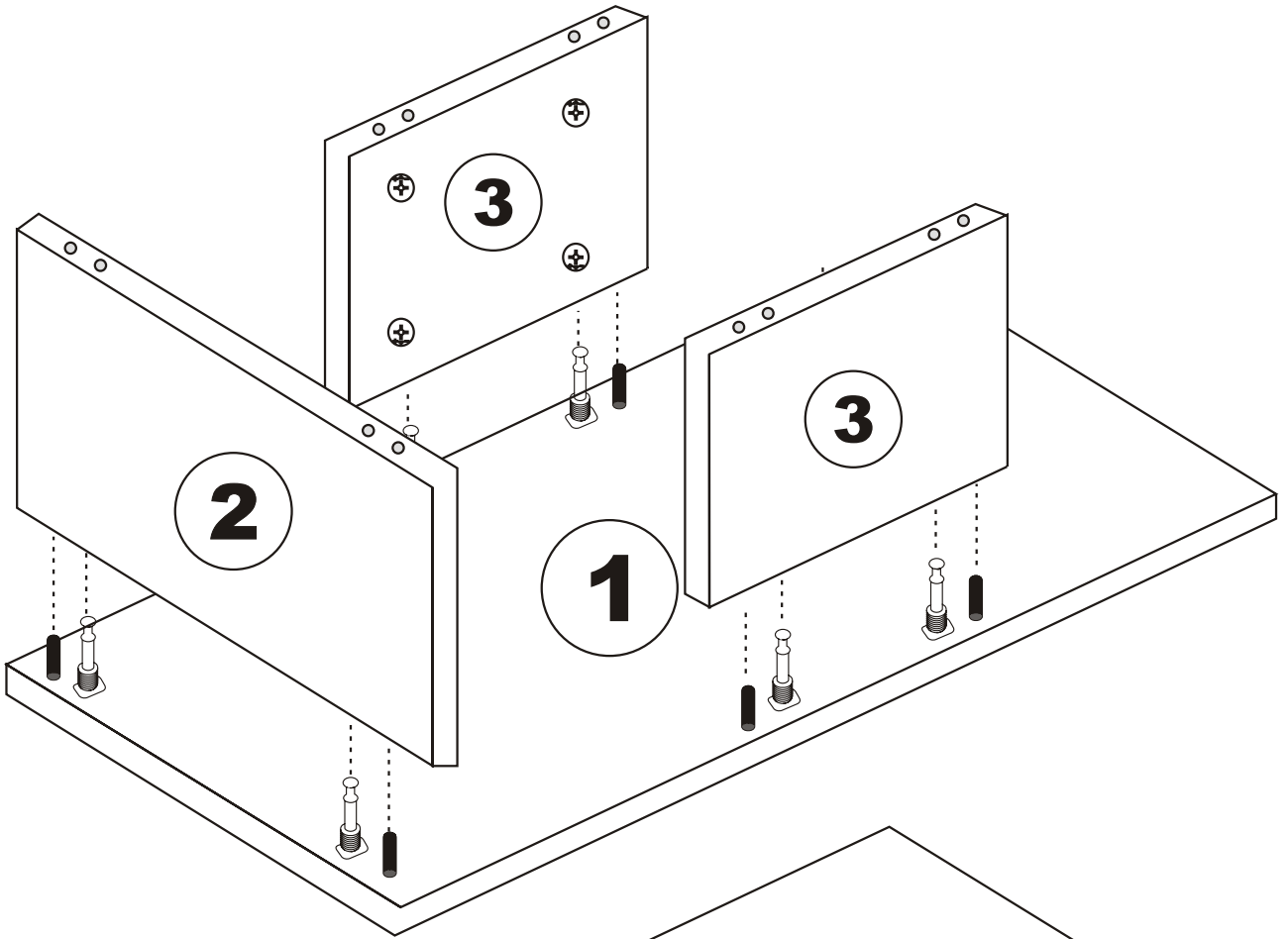
K10  4X	A1 Minifix  12X	A2 Minifix  12X	A3  12X	F16 4X25  16X
--	--	--	---	--

General view

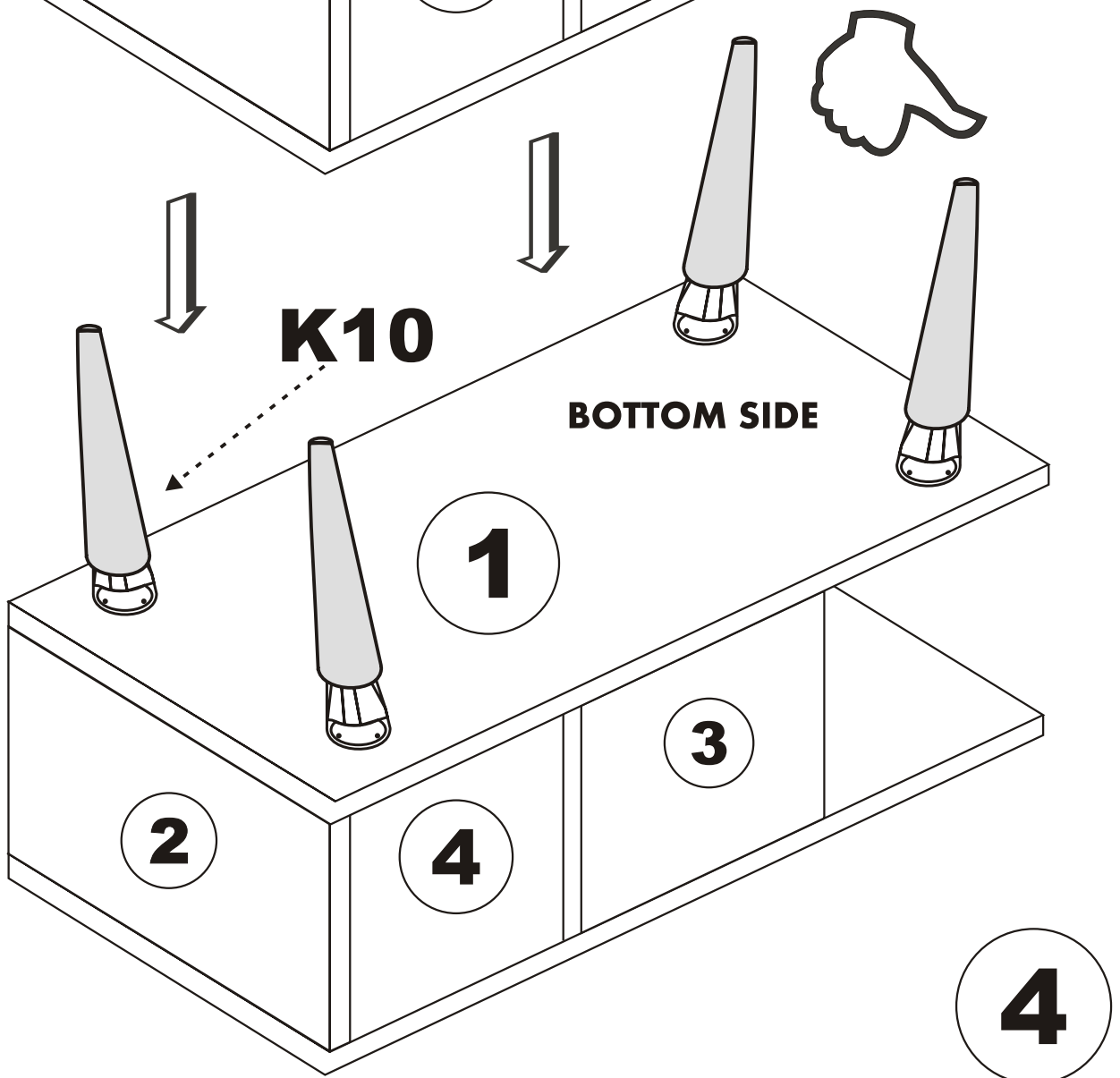
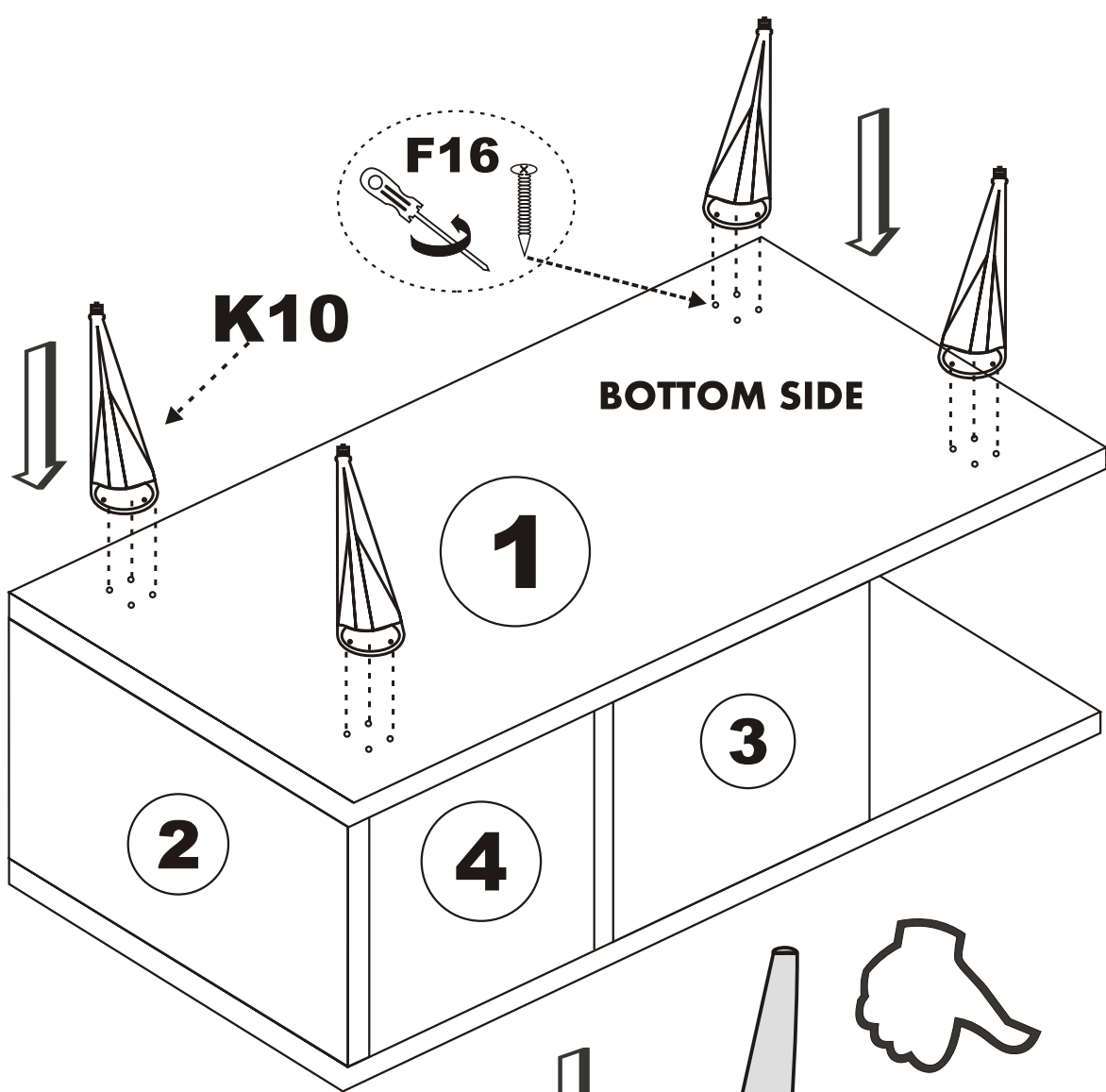


1



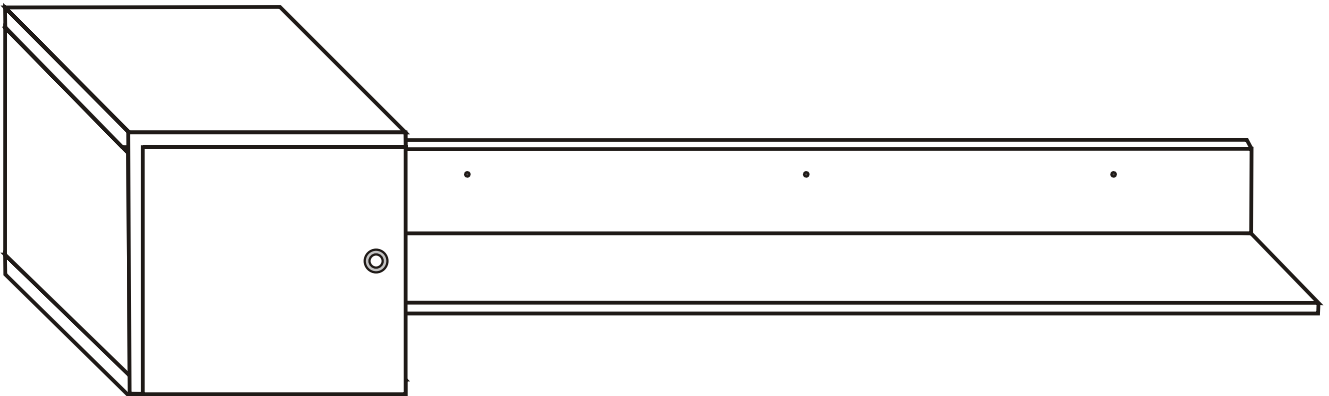


3



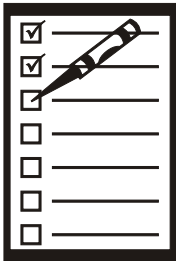
LIDYA DUAR RAFI

Assembly Manual



Kalune Design
Furniture

Dear Customer,
We design and produce our products for people to love and have fun with them as we do.
The product you bought was subjected to all sorts of tests and control before sending out to you



Before start assembling,please chesck the whole components and accessories according to the lists.

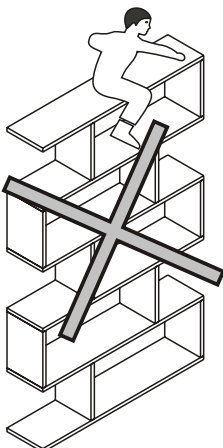
If you bought more than one product,to prevent confusion be sure that you completed the first product. Then start the other product's assembling



Before start assembling,please clean all the compenents with a damp cloth . Also for usual cleaning,this will be enough



Despite the careful control and packaging of the products,if you encounter a problem during shipping check the necessary parts and contact the dealer from whom you bought the product in case of a problem


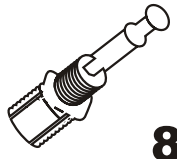

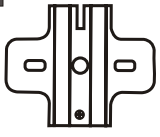
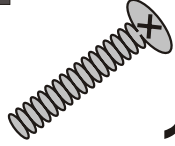


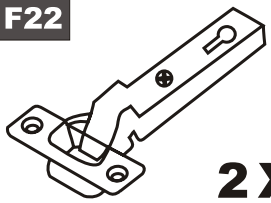


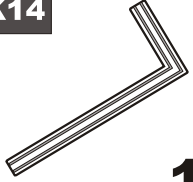
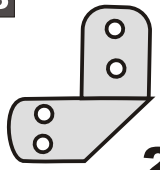


Do not use your furniture for out of purposes.Do not directly contact your furniture with excessive heat, cold and humidity because the product can be affected..

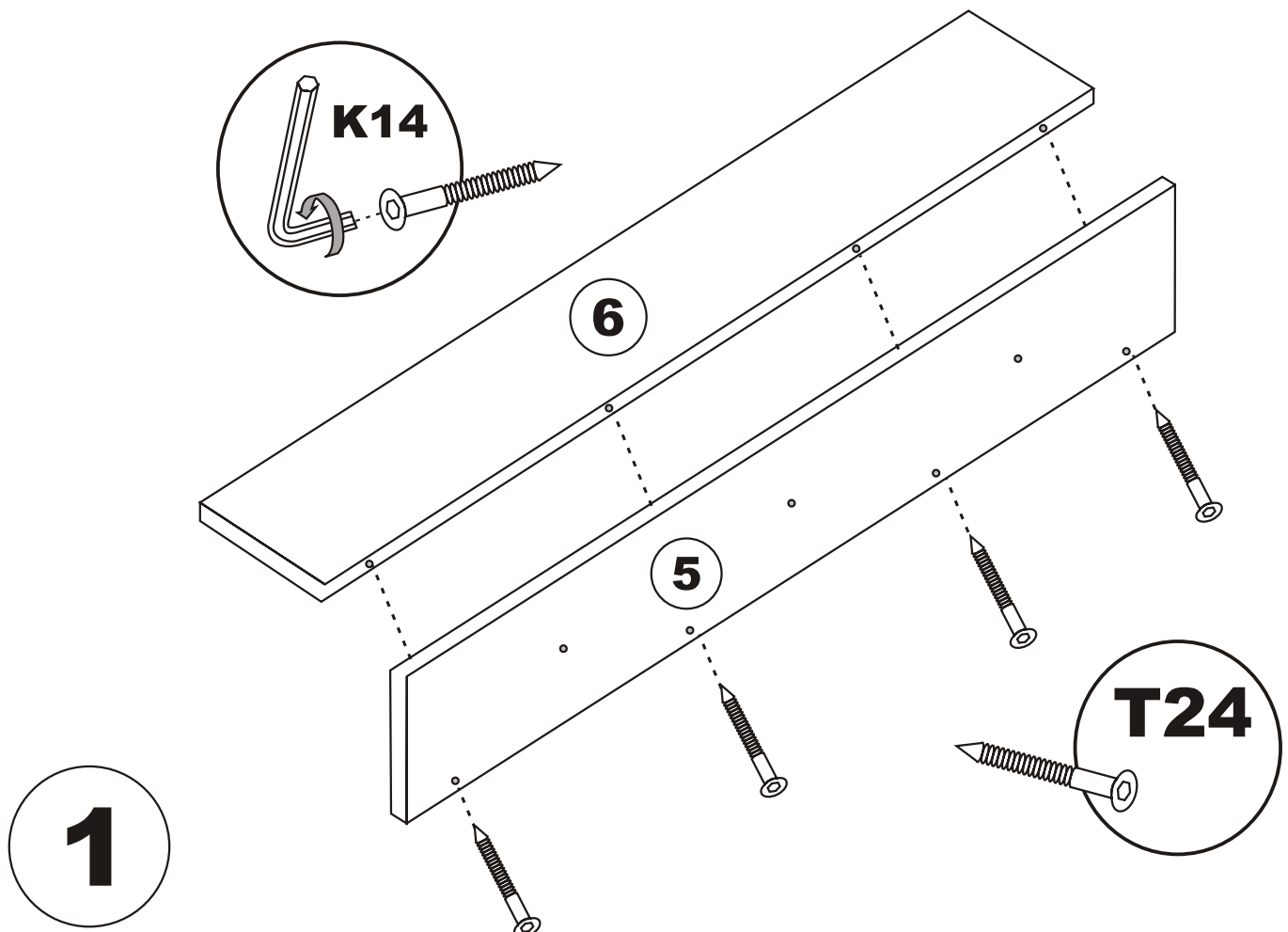
ATTENTION !!

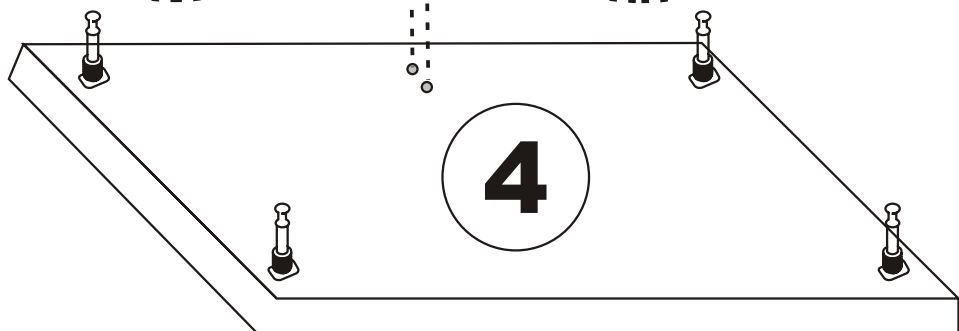
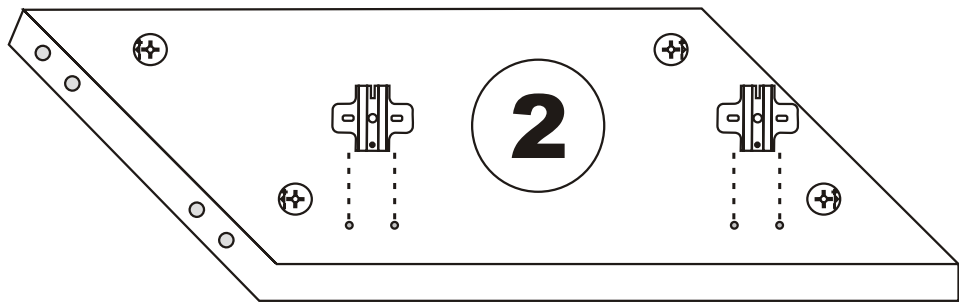
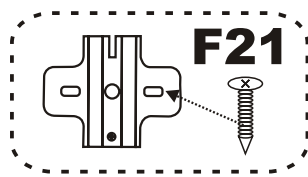
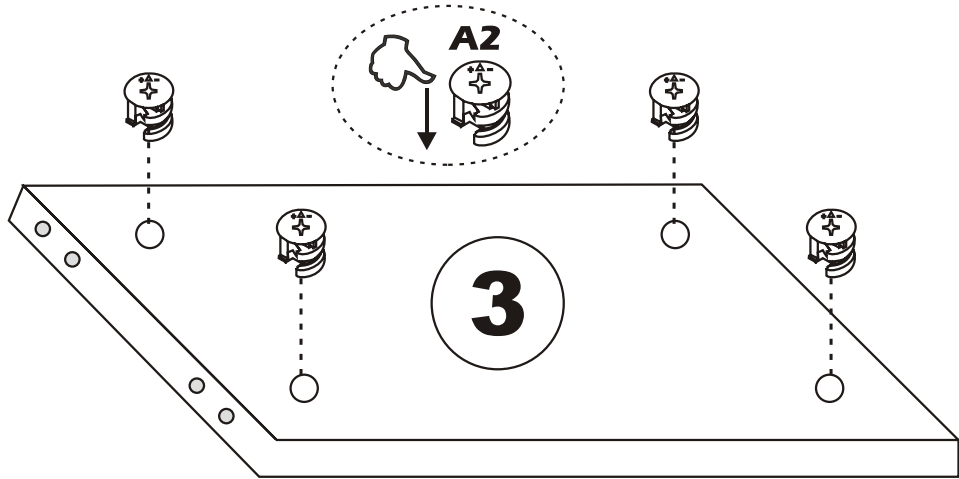
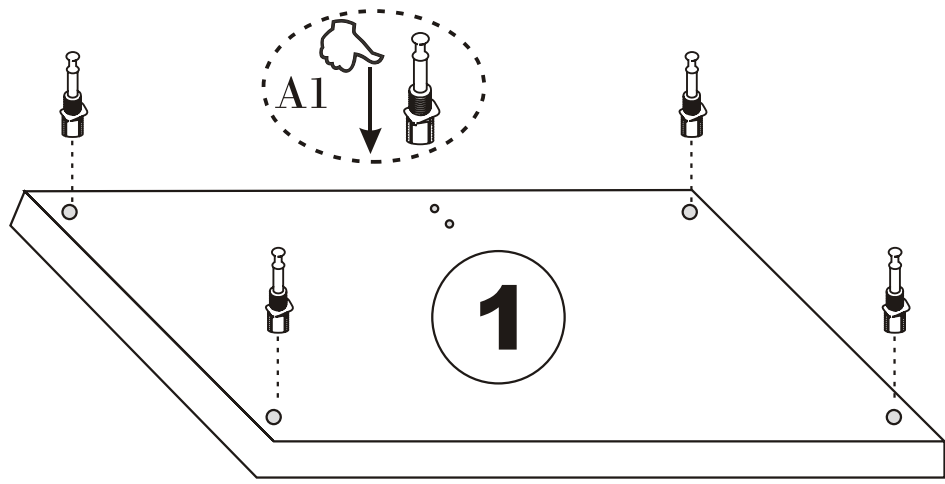
Minifix is the main connection material used in Decortile products ,
Before starting assembly , Please check the drawings below

Accessory List

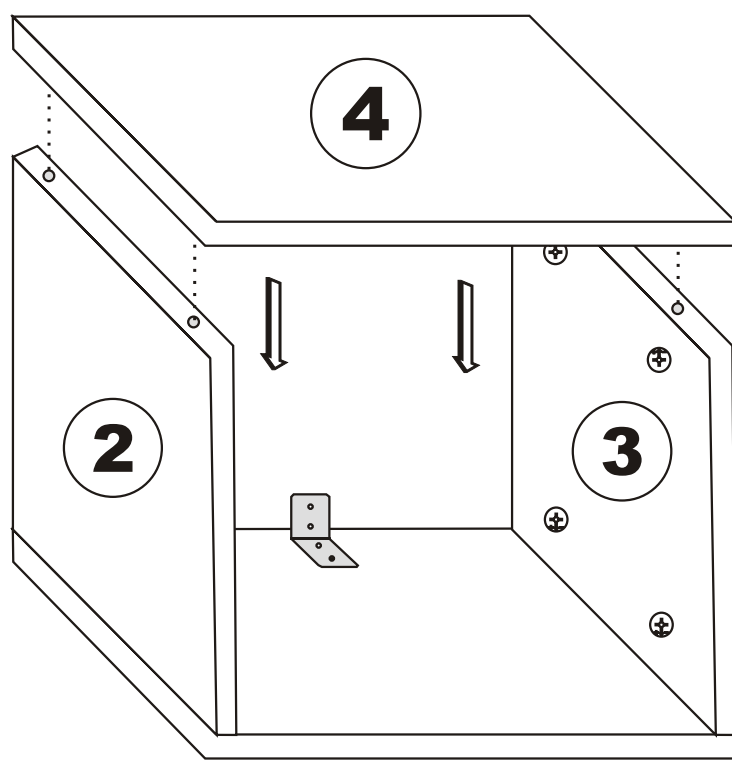
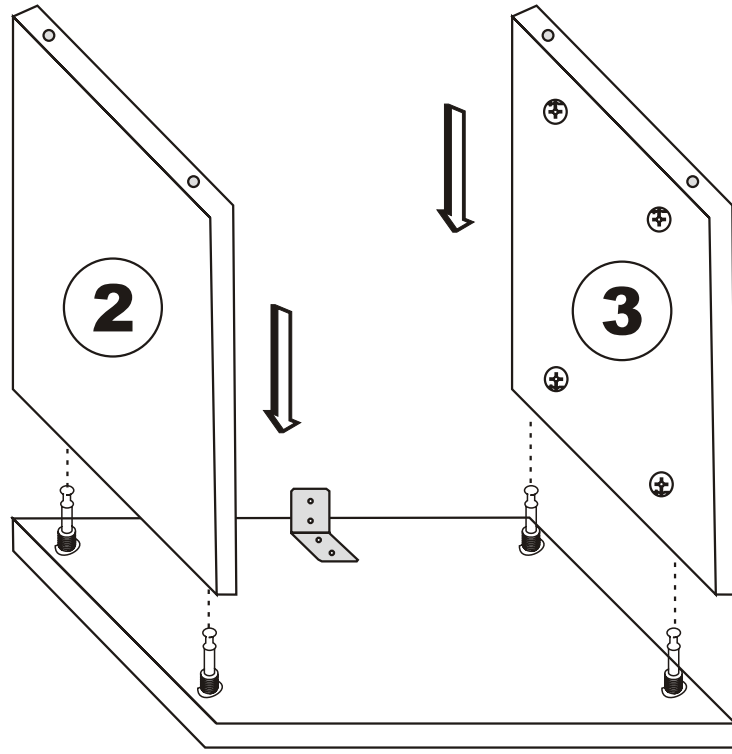
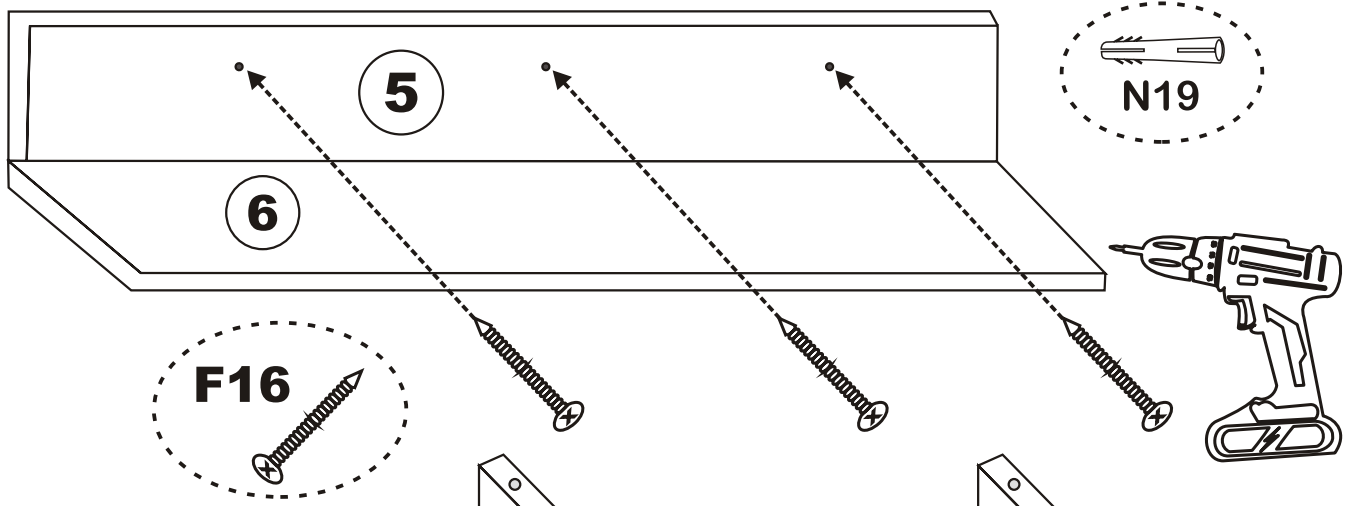
K05  1X	A1 Minifix  8X	A2 Minifix  8X	F21  2X
K03  1X	N19  7X	N20 3,5X18  12X	F22  2X
T24 6x50m  4X	F16  7X	K14  1X	Y18  2X

General view





2

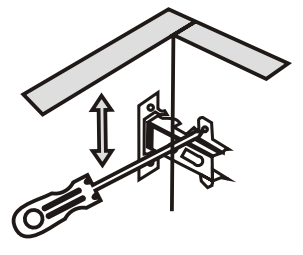
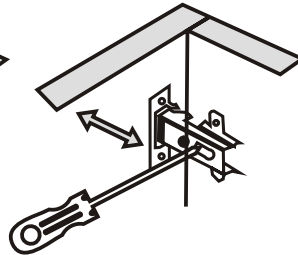
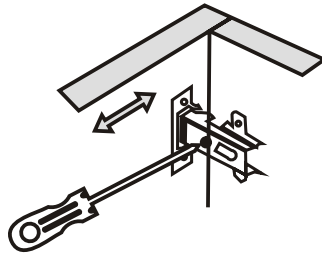
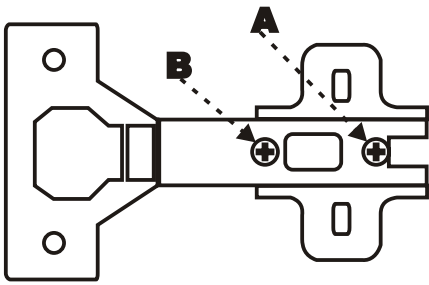


3

Settings of hinge

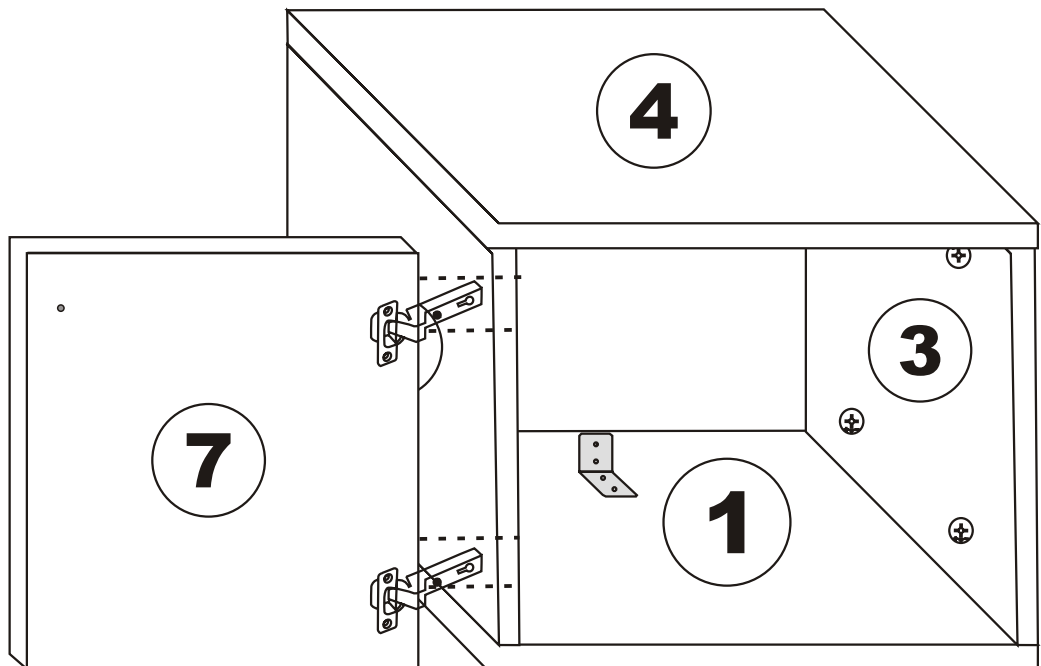
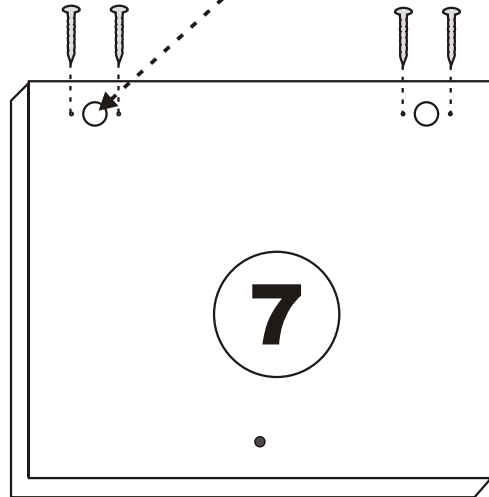
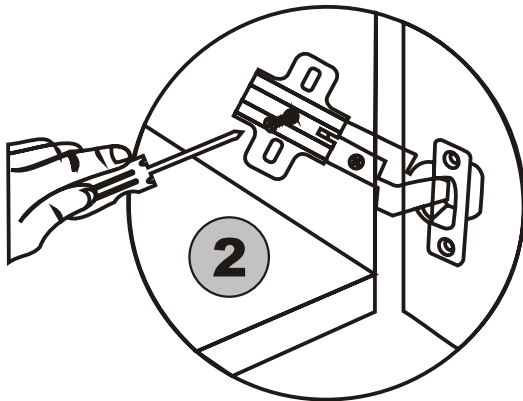
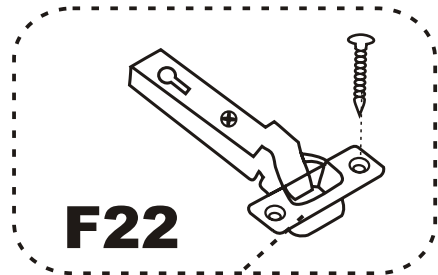
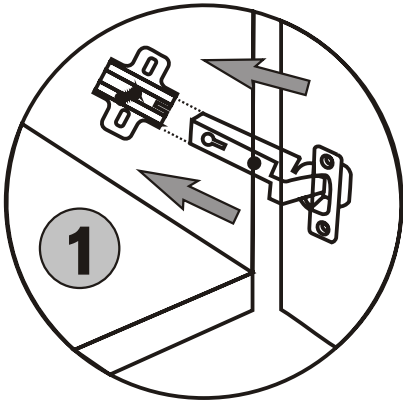
Settings of hinge

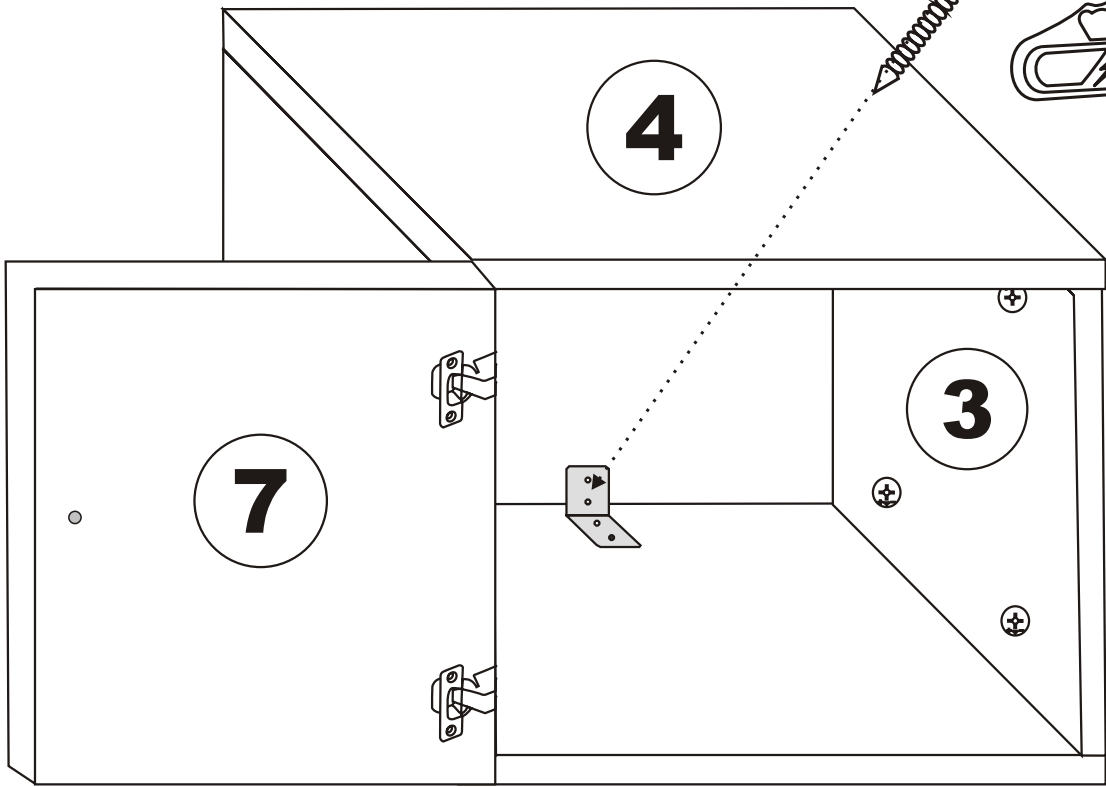
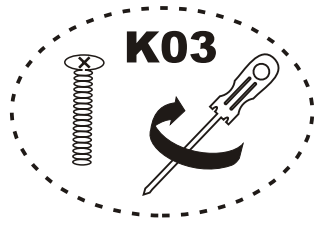
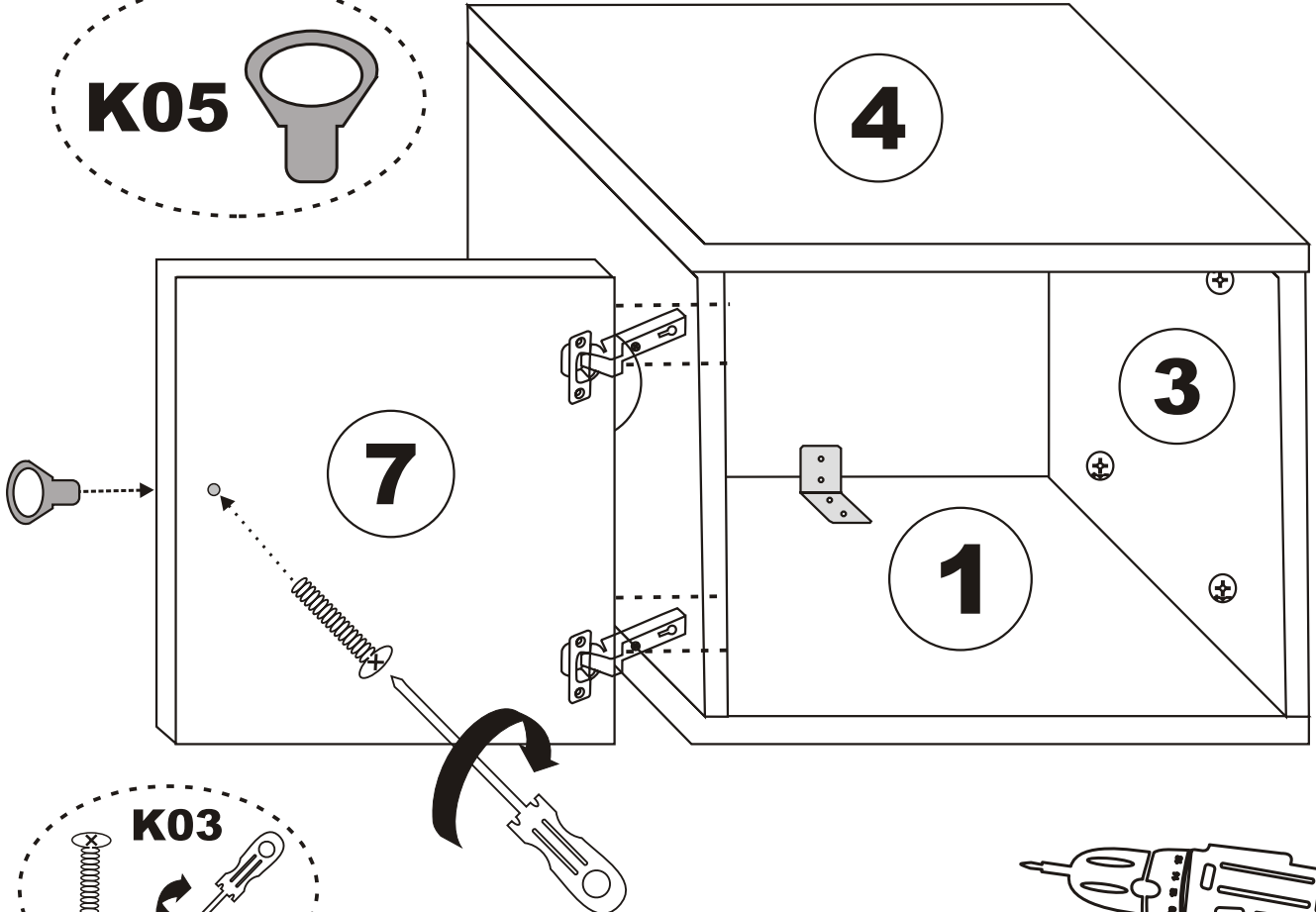
Settings of hinge



A - To connect the hinge to door
B - to arrange the door

Arrows to show the directions for arrangement of doors.





5