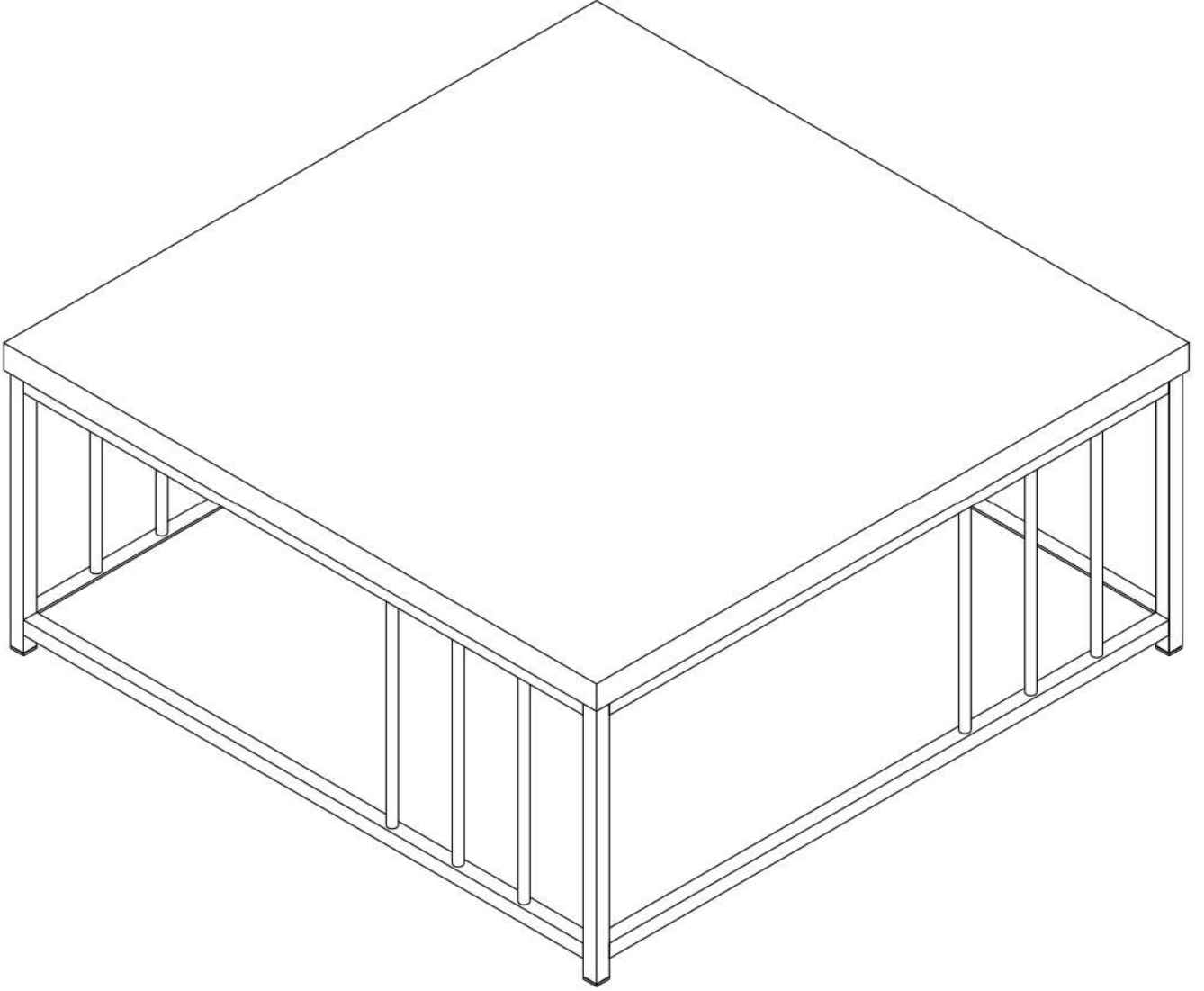


ZENN ORTA SEHPA

MONTAJ VE KULLANIM KILAVUZU



Dear Customer,

All of our products have been checked and tested at every step, from the design process to the production and delivery process, to ensure that you enjoy the products and use them safely for many years.



Before starting the assembly, take all the parts out of the box and check them according to the assembly manual. If you have purchased more than one product, install the products in order to avoid mixing parts and accessories.

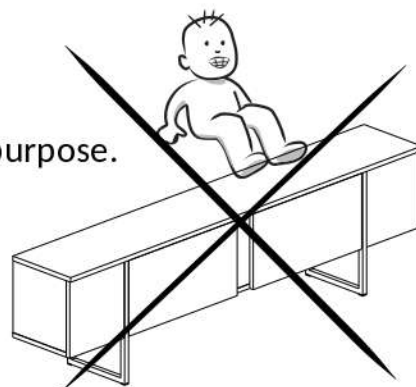
Before starting the assembly, clean each part with a damp cloth. This cleaning will also be sufficient for general use of the product.



Although the products are carefully checked and packaged, if you encounter a problem during shipping, you can check the necessary parts and contact us.

Any problem that occurs will be fixed free of charge as soon as possible.

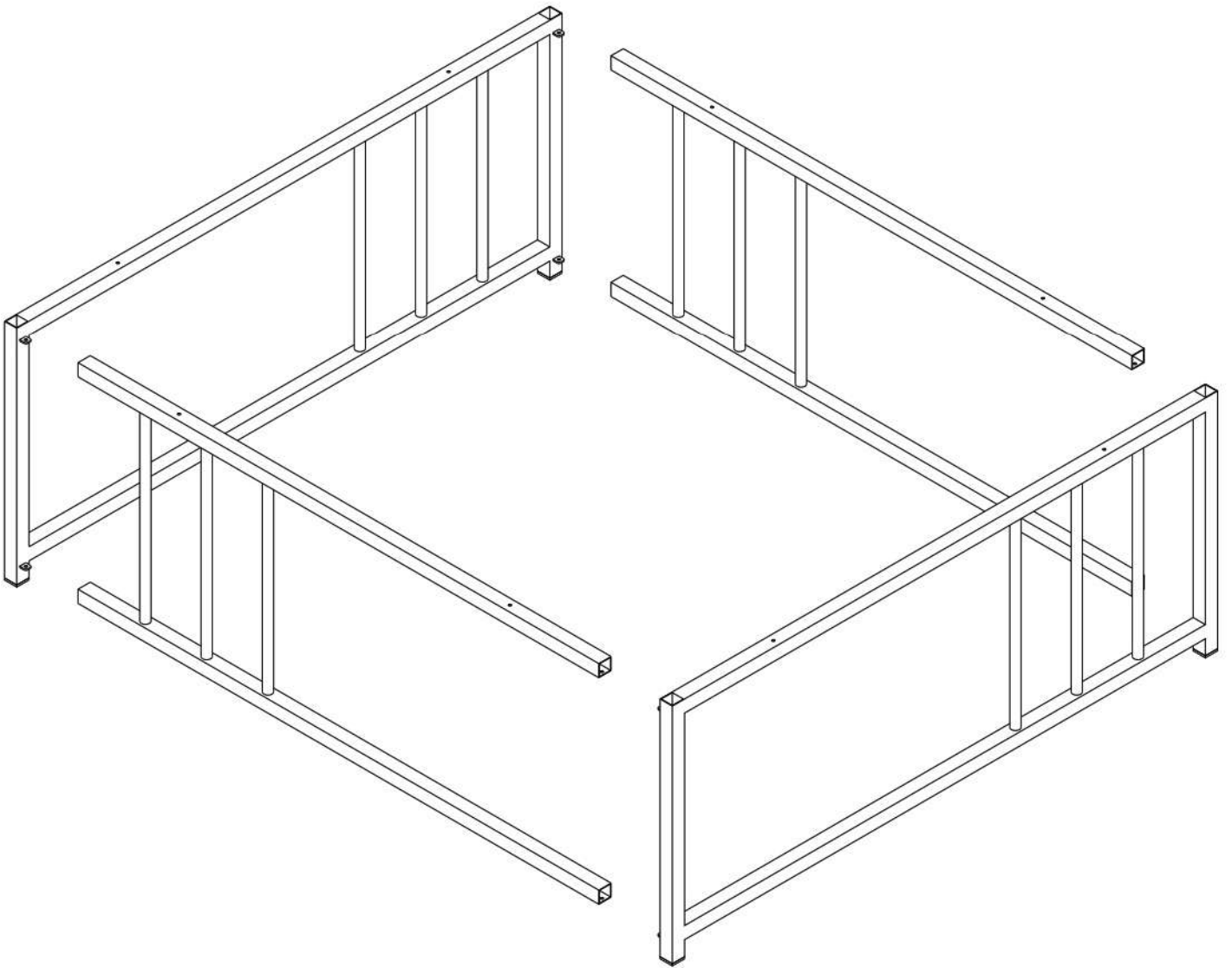
Do not use your furniture for purposes other than its intended purpose. Please contact us when considering different purposes of use. Furniture can be damaged when it comes into direct contact with cold, heat or moisture. Therefore, prevent your furniture from coming into direct contact with these factors.



ZENN ORTA SEHPA

MONTAJ VE KULLANIM KILAVUZU

A01	3x35 Vida	A02	METRİK 4 Vida	A03	3x18 Vida
	9x		9x		7x

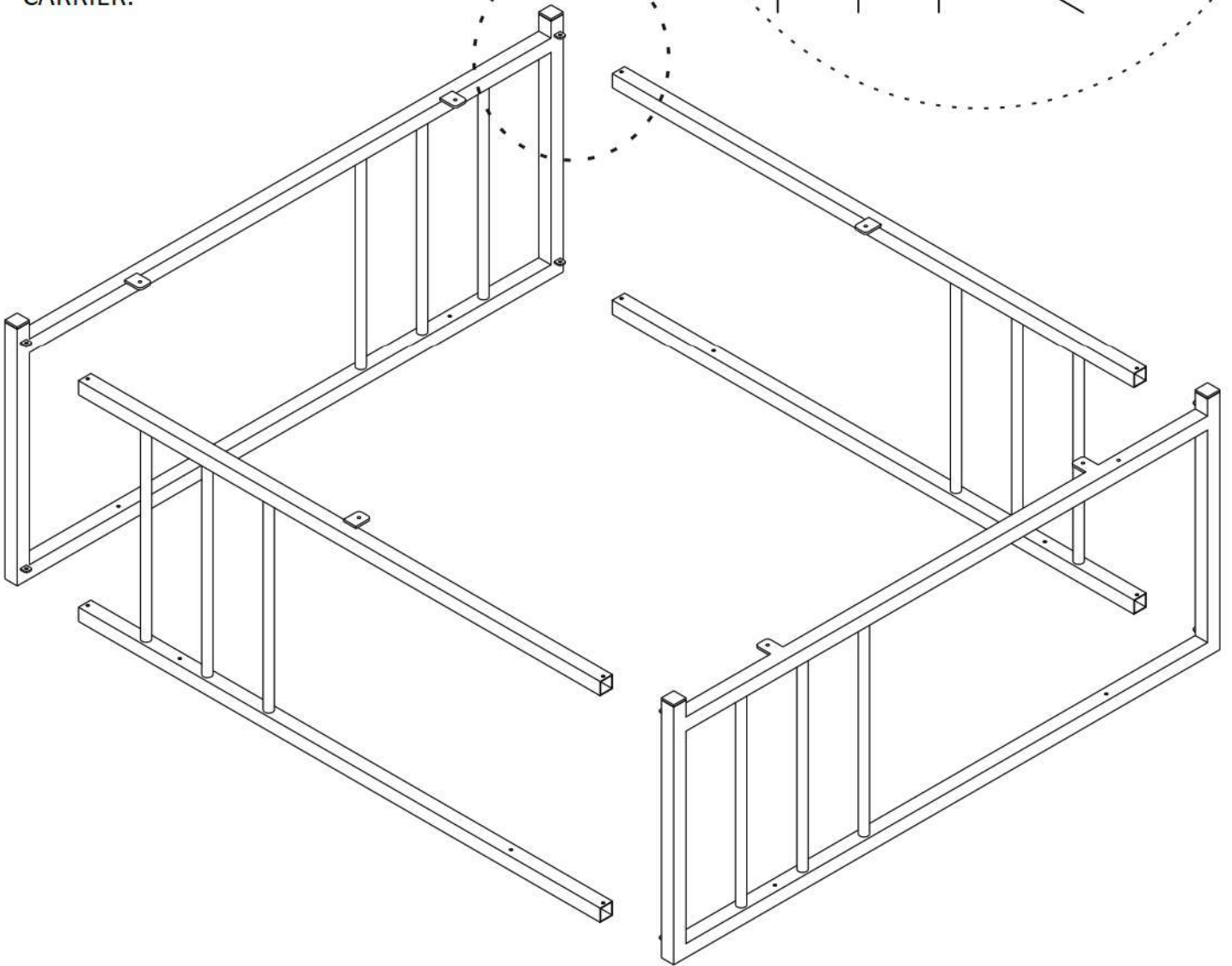


01

STEP

ŞEKİL " A "

Note: Bring the BOTTOM PART of the stand up. Align the feet slightly as shown in the image. METRIC 4 screw used in "FIGURE A" FIX with YOU CREATED THE IRON CARRIER.



02

STEP

Note :
BEFORE INSTALLING THE TOP TABLE
FOR A GENERAL CHECK IF THERE IS A
SCREW THAT IS NOT COMPLETELY FIXED
FIX THE SCREWS.
THE TOP TABLE IS HALF A CENTIM
LARGER THAN THE IRON LEGS.
USING 8 PIECES 3*35 LARGE SCREWS
FIX IT THROUGH THE 8 READY D-2
HOLES

D-2

ÜST TABLA

ALT TABLA

D-1

Note :
DEAR CUSTOMER, IN THE
FINAL STAGE, FIRST THE
BOTTOM LINE
WITH HOLES AT THE BOTTOM
WITH 6 PCS 3*18 SMALL
SCREWS
MOUNT D-1 TO IRONS.

