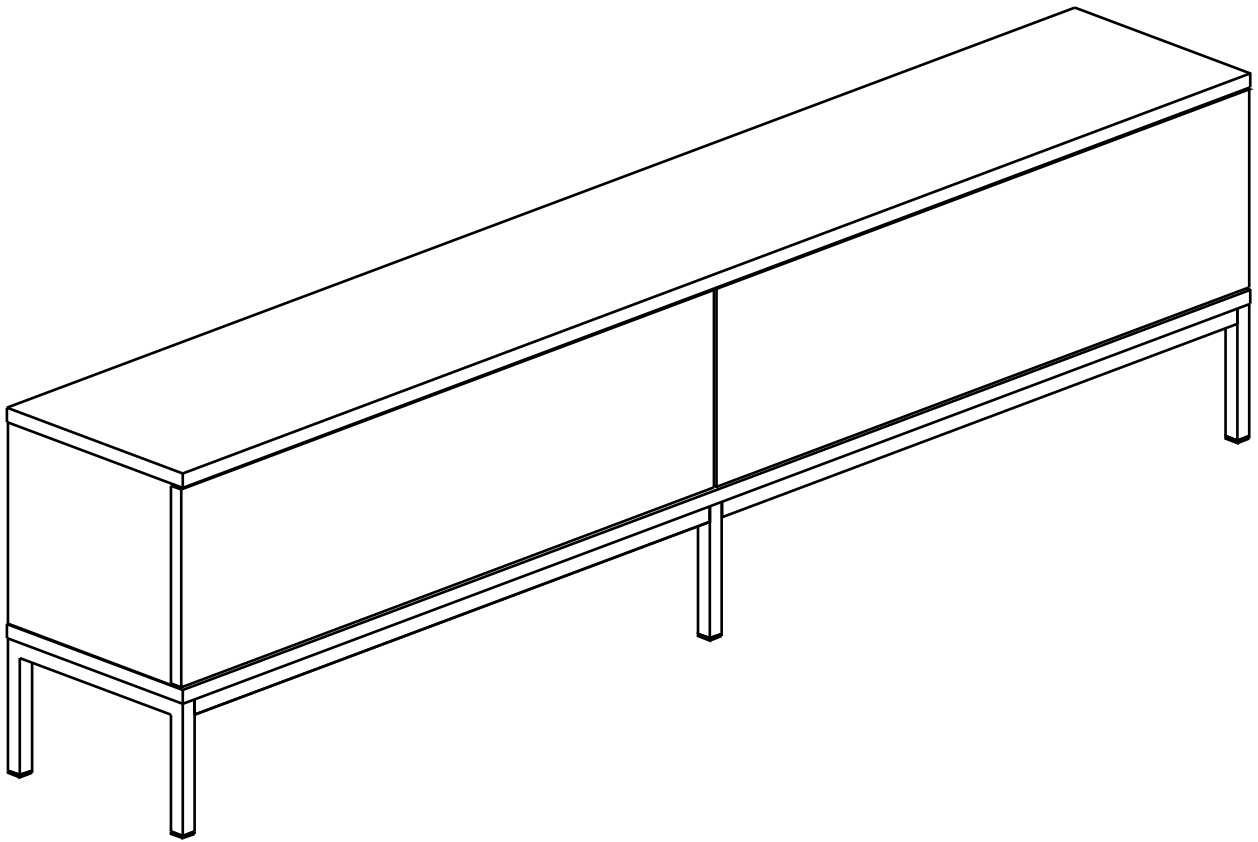


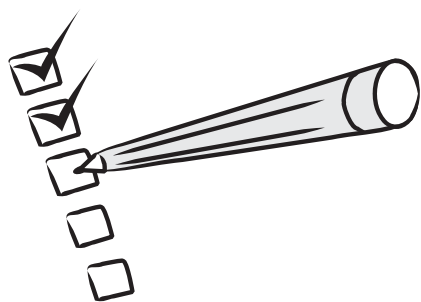
LORD TV UNIT

INSTALLATION AND USER MANUAL



Dear Customer.

All our products, from the design process to production and delivery
At every step, the products have been checked and tested to ensure that
you enjoy them and use them safely for many years.

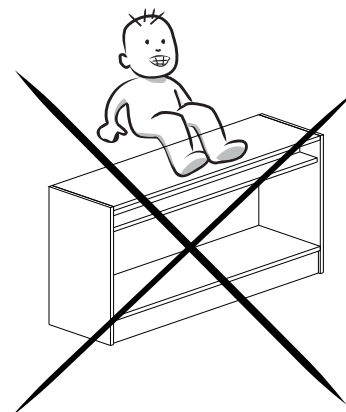


Before starting the assembly, take all the parts out of the box and check them according to the assembly manual. If you have purchased more than one product, install the products in order to avoid mixing parts and accessories.

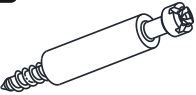


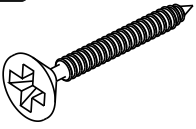
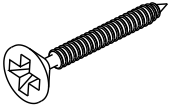

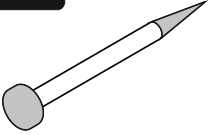

Before starting the assembly, clean each part with a damp cloth. This cleaning will also be sufficient for general use of the product.



Do not use your furniture for purposes other than its intended purpose. Please contact us when considering different purposes of use.
Furniture can be damaged when it comes into direct contact with cold, heat or moisture. Therefore, prevent your furniture from coming into direct contact with these factors.



ACCESSORY LIST

A1 Minifix Miles  6x	A2 Dowel  4x	A3 Minifix Body k18  6x	A4 4x70 Screw  6x
A5 4x35 Screw  5x	A6 3x18 Screw  17x	A7 Backrest Nail  20x	A8 Super Hinge  4x

