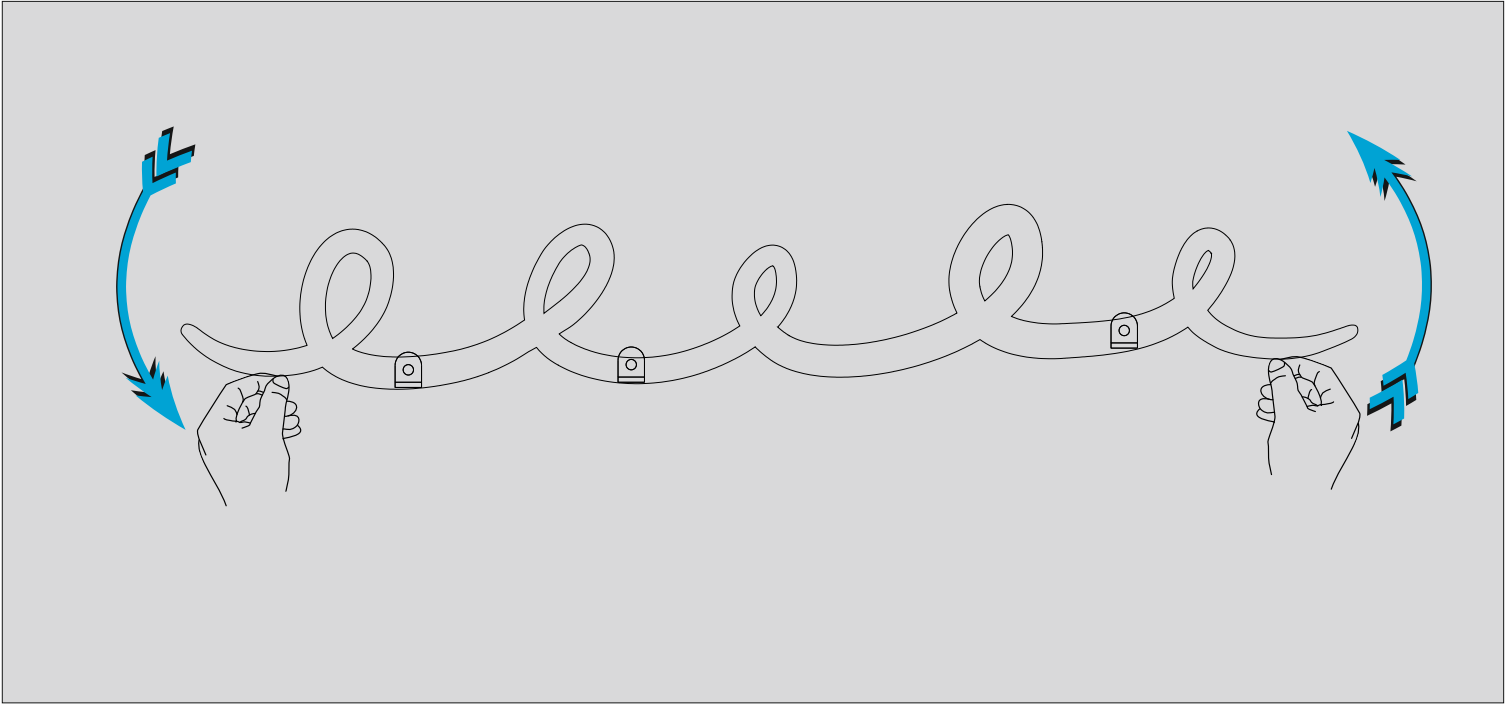
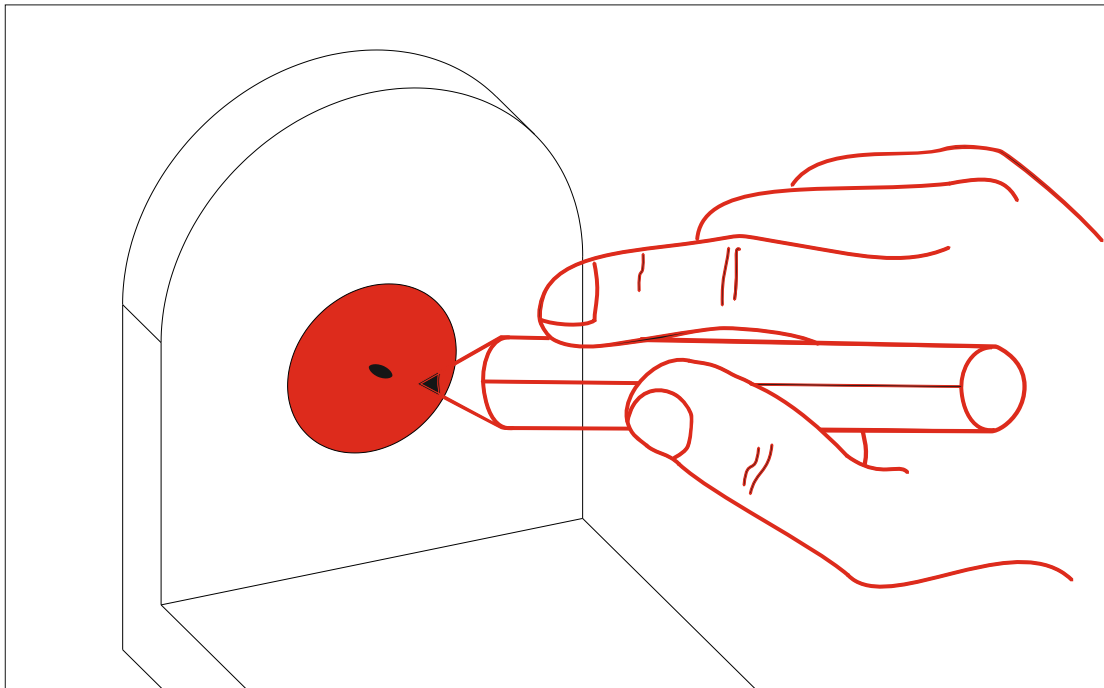


# Step 1

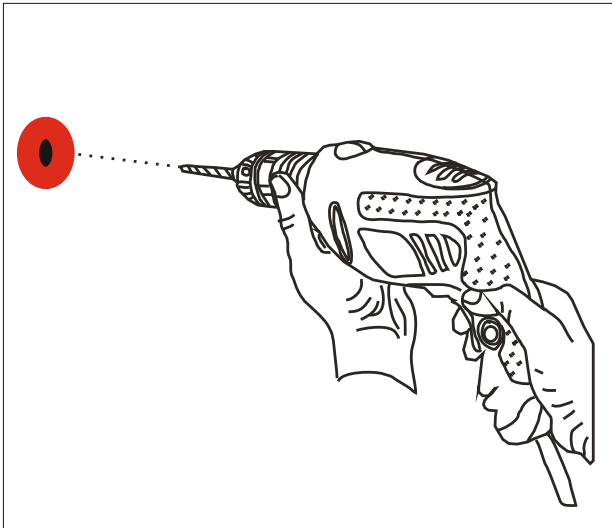
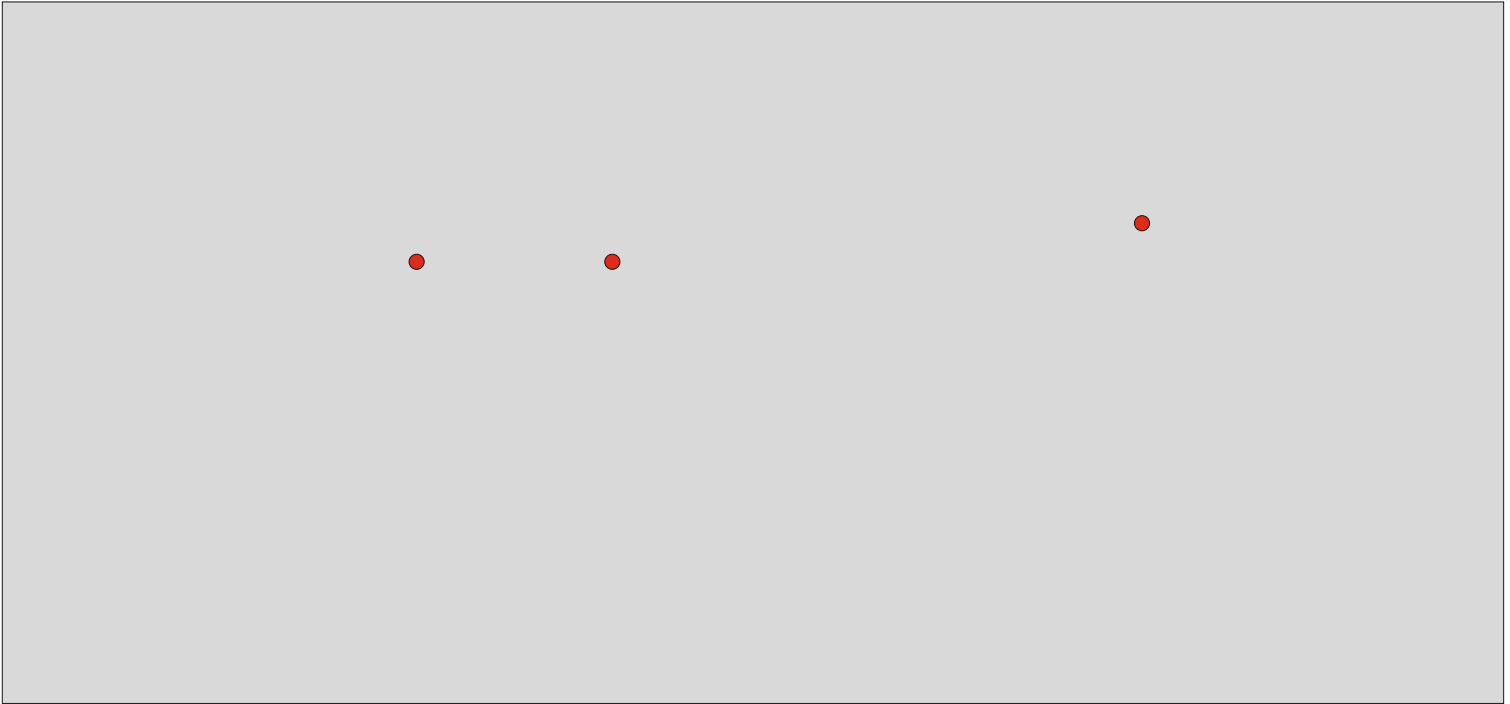


**Set the position of the product on the wall as desired**

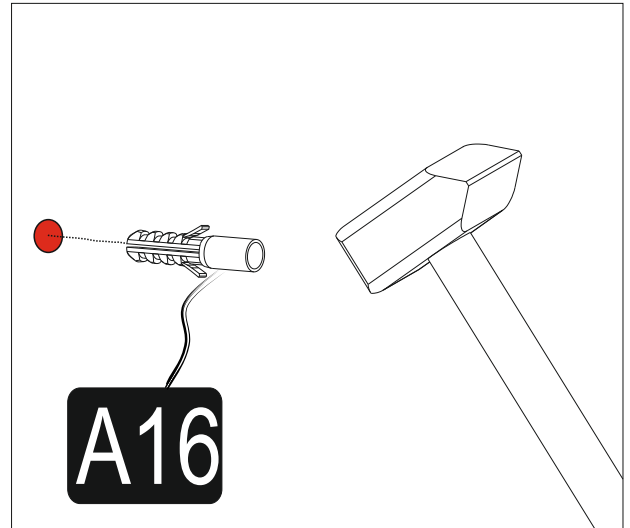


**Mark the center of the hole with a pen.**

# Step 2

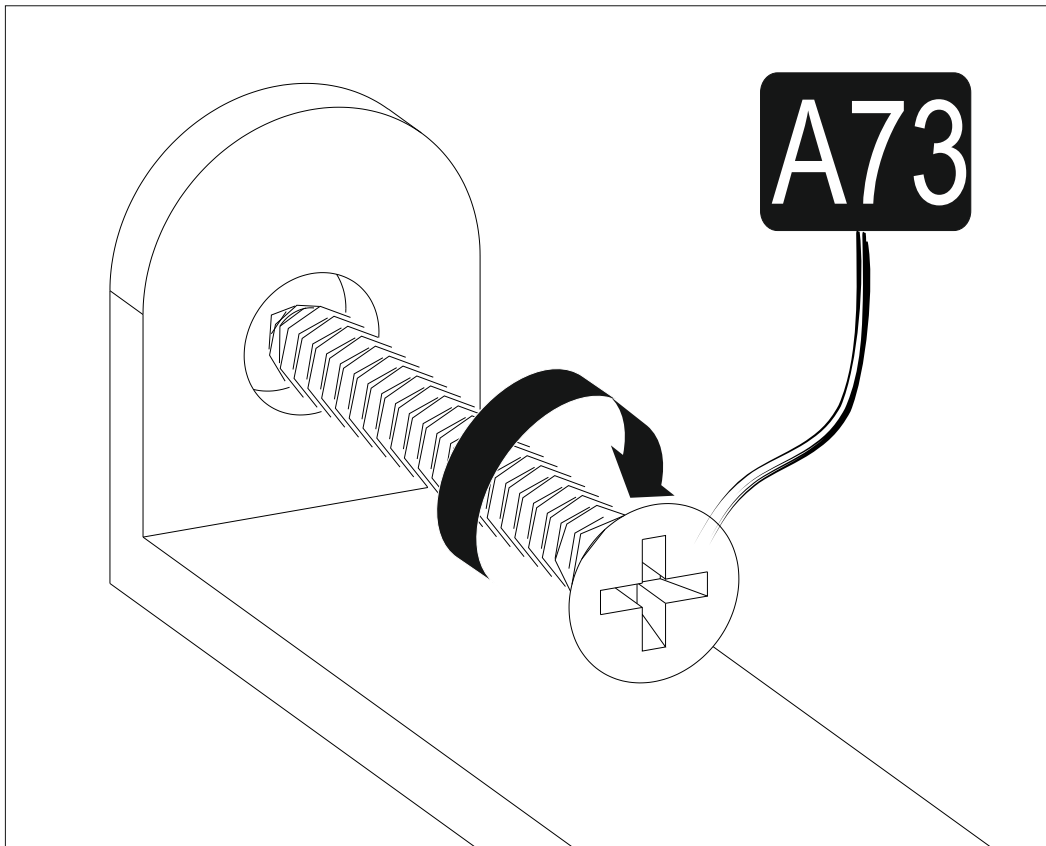
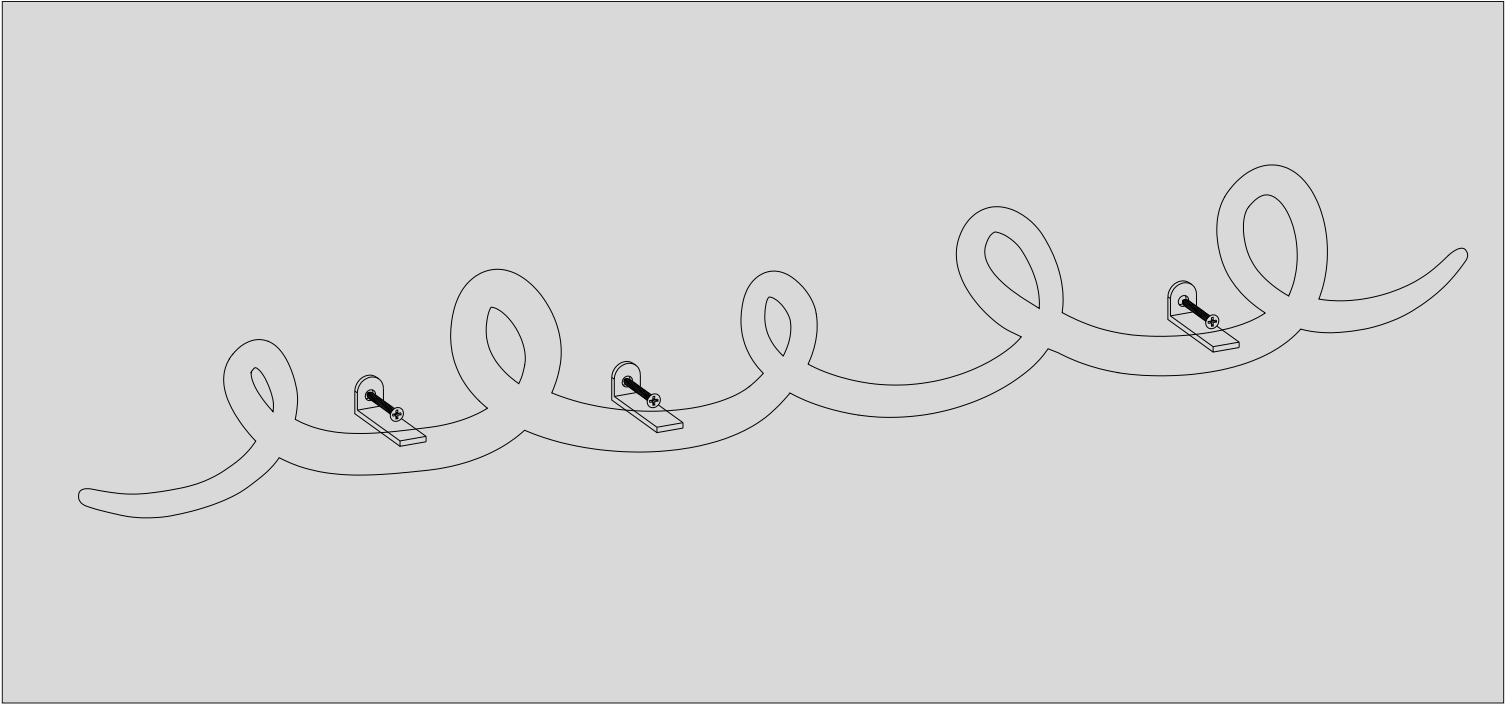


**Drill the marked locations with a drill**



**Attach the plugs to the drilled places.**

# Step 3



**Align the product again on the wall and connect with the specified screw**

