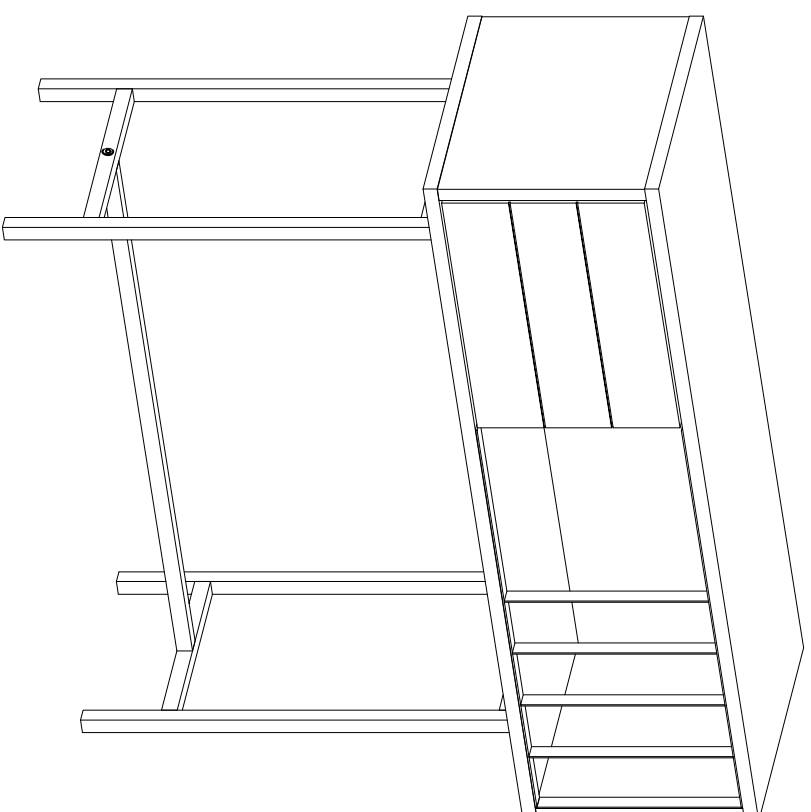
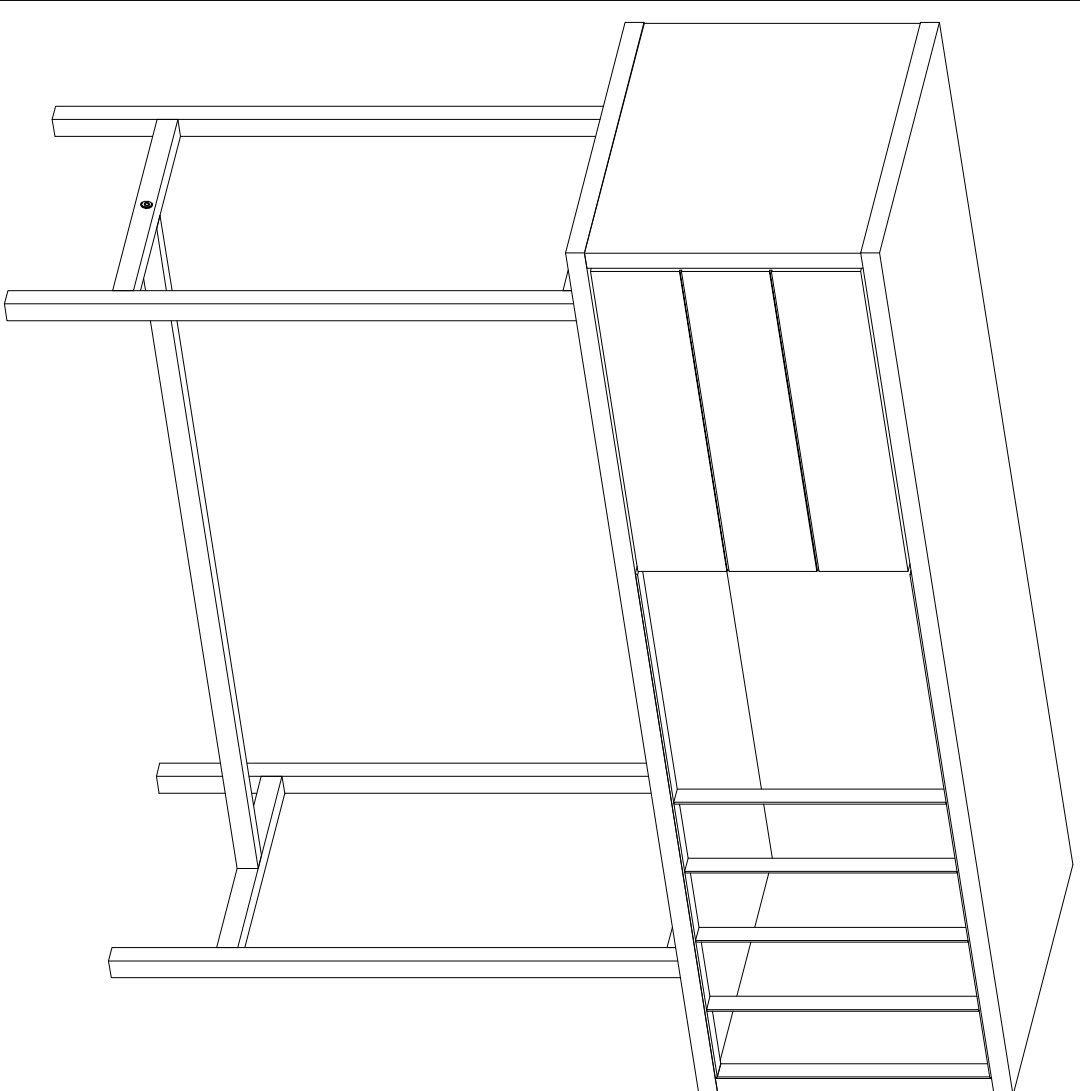
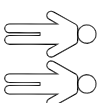


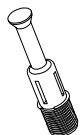

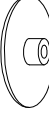
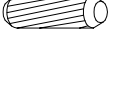


DEC20001 PACO


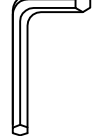


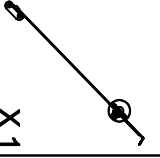
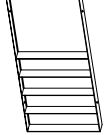


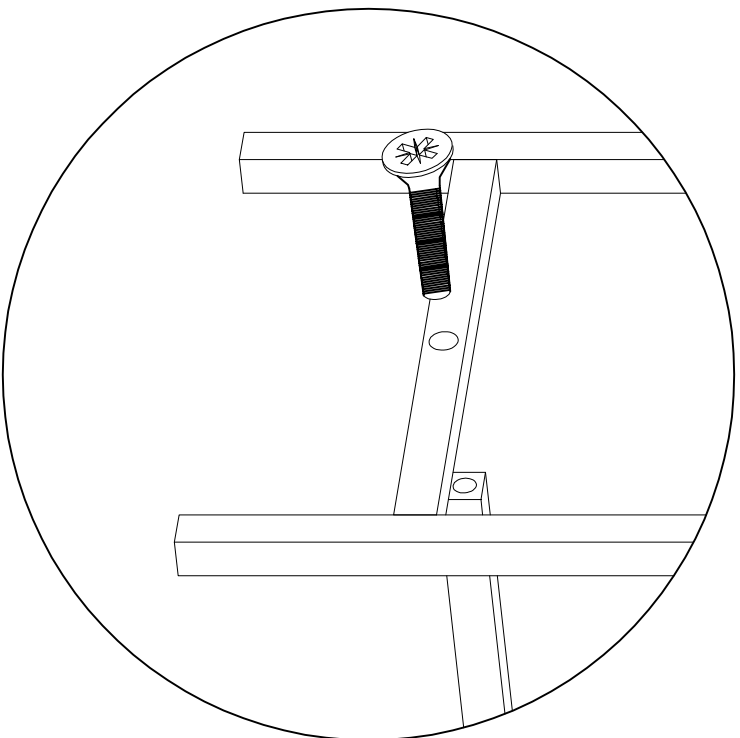
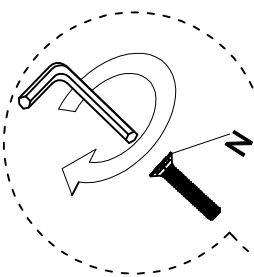
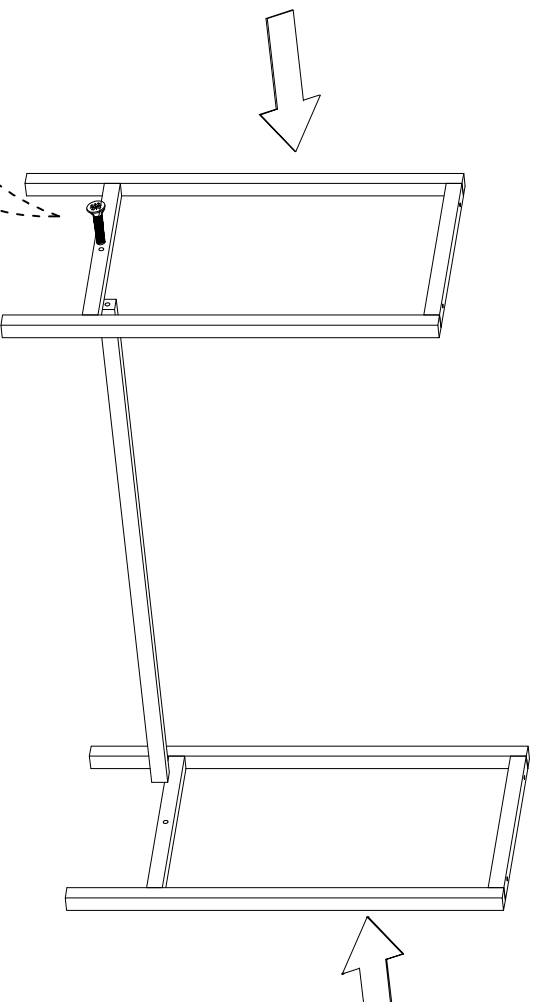
DECORMET

MATERIALS



					
A X 12	B X 12	C X 12	D X 12	G X 16	N X 6
MINIFIX GIB	MINIFIX BODY	MINSTOPPER	DOWEL	3,5 x 18 SCREW	METRIC SCREW

					
O X 3	P X 1	R X 3	U X 2	AF X 1	BF X 1
HANDLE SCREW	ALLEN KEY	HANDLE	HINGE(Crank 16)	BAR SCISSORS	SEPARATOR



DEC20001 PACCO

NO	NAME	PIECE	NO	ISIM	MIKTAR
1	BOTTOM PART		1	ALT TABLA	1 ADET
2	LEFT PART		2	SOL YAN	1 ADET
3	MIDDLE PART		3	ORTA DIKME	1 ADET
4	RIGHT PART		4	SAĞ YAN	1 ADET
5	BACK PART		5	ARKALIK	1 ADET
6	TOP PART		6	ÜST TABLA	1 ADET
7	METAL PART		7	METAL SEPERATÖR	1 ADET
8	COVER PART		8	KAPAK	1 ADET

