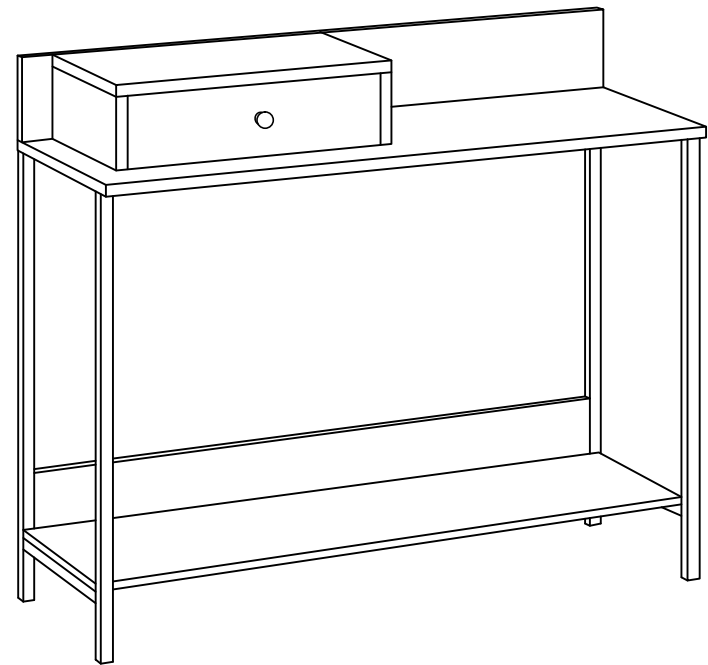
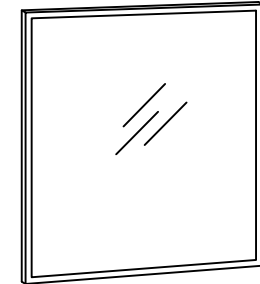
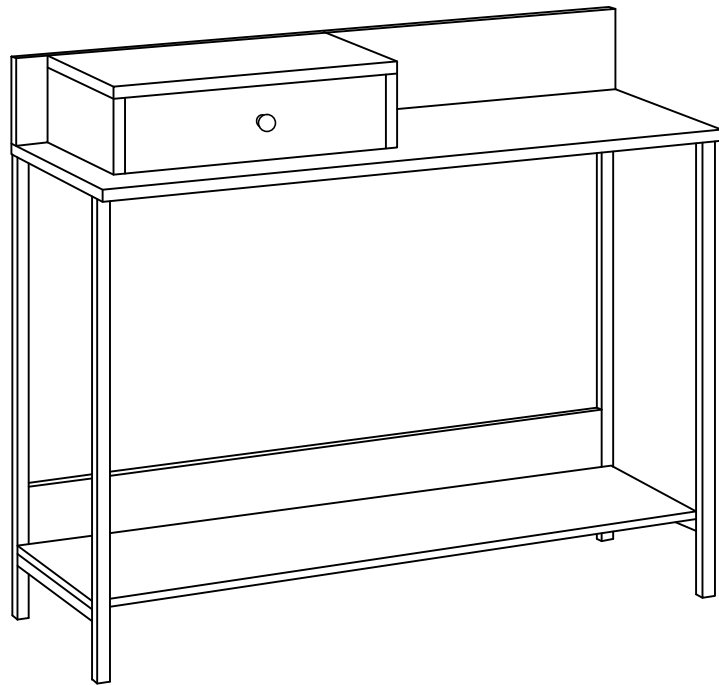
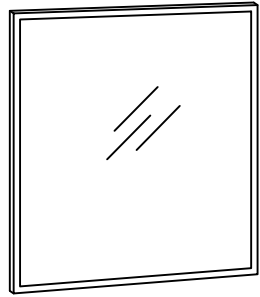
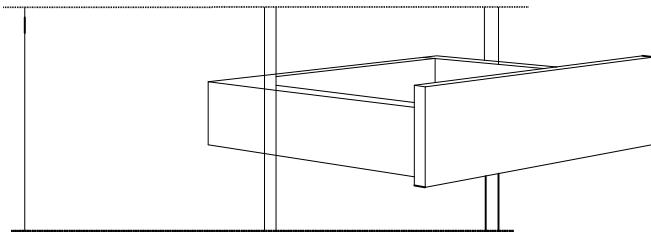
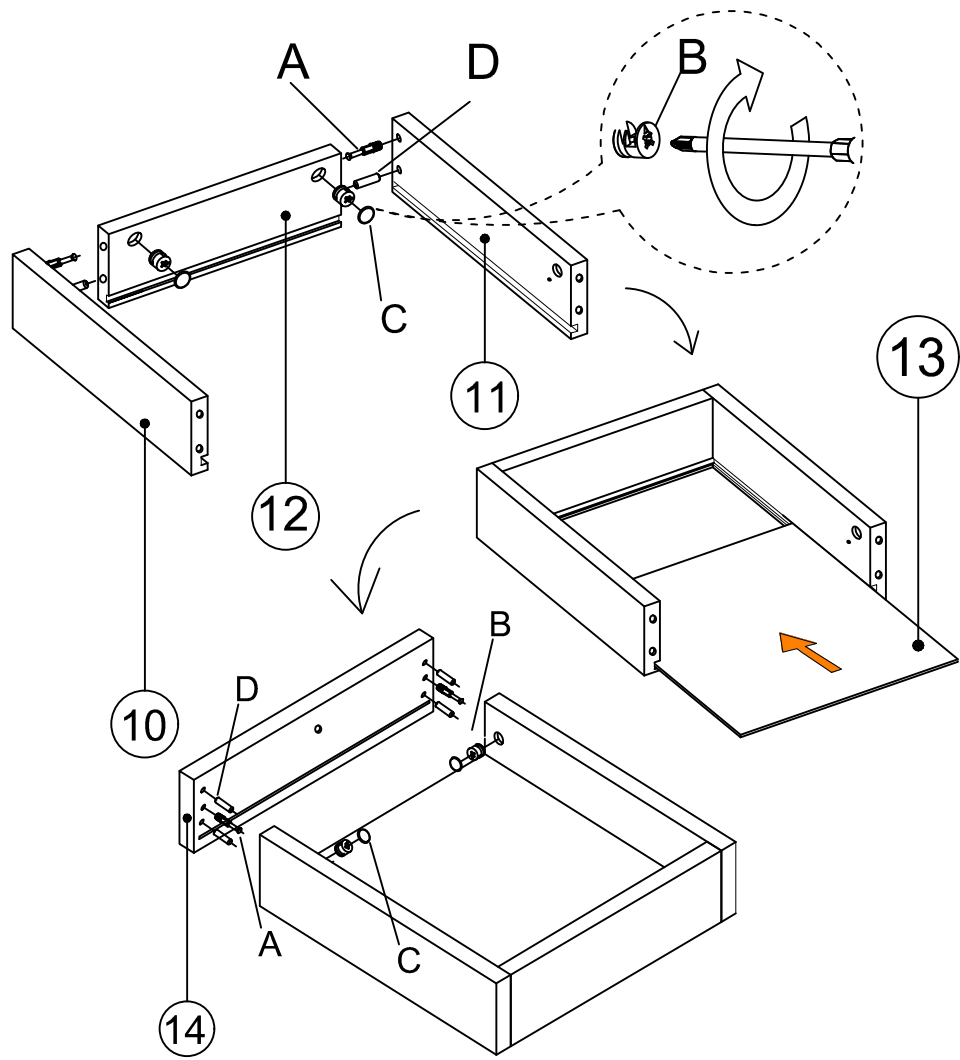


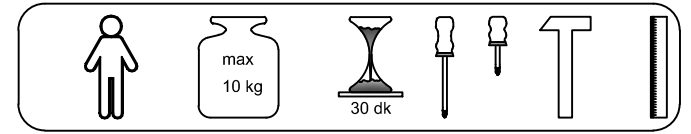
DEC20051 JAN














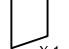
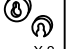


DECORMET



MATERIALS



 X 17 A MINIFIX GIB	 X 17 B MINIFIX BODY	 X 17 C MIN.STOPPER	 X 6 D DOWEL
 X 6 E CABINET SCREW	 X 2 K 3,5 x 50 SCREW	 X 8 N METRIC SCREW	 X 1 O HANDLE SCREW
 X 1 P ALLEN KEY	 X 1 R HANDLE	 X 2 AK WALL PLUG	 X 2 AV METAL LEG AV72-33-02
 X 1 BD METAL PART AT0603-02	 X 1 BM 42x42 MIRROR	 X 2 BS ASHI PLASTIĞI	

DEC20051 JAN

NO	NAME	PIECE	NO	İSİM	ADET
1	BOTTOM PART	1 PC	1	ALT TABLA	1 ADET
2	BACK PART	1 PC	2	ARKA TABLA	1 ADET
3	BACK PART	1 PC	3	ARKA TABLA	1 ADET
4	TOP PART	1 PC	4	ÜST TABLA	1 ADET
5	BACK PART	1 PC	5	ARKA TABLA	1 ADET
6	DRAWER / LEFT PART	1 PC	6	ÇEKMECE İSOL YAN	1 ADET
7	DRAWER / RIGHT PART	1 PC	7	ÇEKMECE / SAĞ YAN	1 ADET
8	DRAWER / TOP PART	1 PC	8	ÇEKMECE / ÜST TABLA	1 ADET
9	MIRROR PART	1 PC	9	AYNA	1 ADET
10	DRAWER LEFT PART	1 PC	10	ÇEKMECE SOL YAN	1 ADET
11	DRAWER RIGHT PART	1 PC	11	ÇEKMECE SAĞ YAN	1 ADET
12	DRAWER BACK PART	1 PC	12	ÇEKMECE ARKALIK	1 ADET
13	DRAWER BOTTOM PART	1 PC	13	ÇEKMECE ALT	1 ADET
14	COVER PART	1 PC	14	KAPAK	1 ADET

