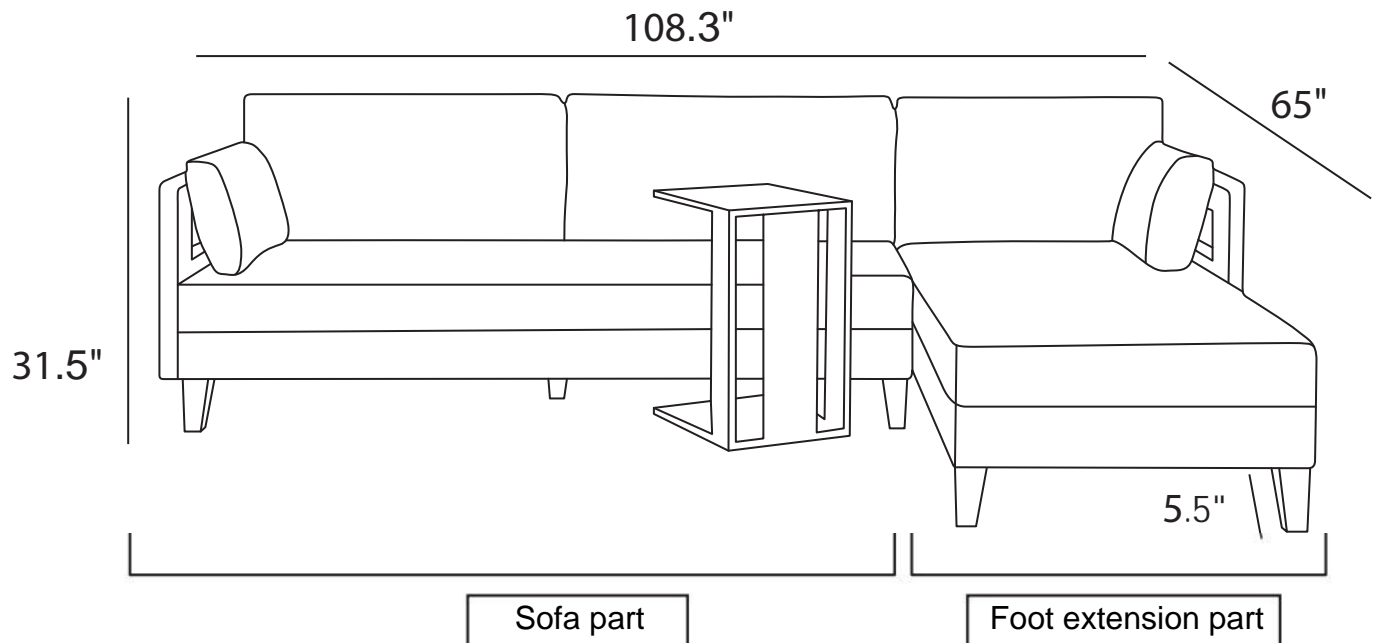


Comfort Corner Sofa



Item Features

- ★The upholstery fabric - Anmen brand linen fabric 100% chenille polyester.
- ★Cushions are made of 32 density medium hard foam.
- ★ The product frame is constructed with the combination of hardwood fir timber and wood-made MDF/particle board using a mortise and tenon joinery technique.
- ★ Legs are made of walnut color solid plastic.
- ★All materials are made of human health-friendly materials.
- ★Packed with furniture packaging and covered with fine nylon to prevent dust penetration.
- ★Only legs comes as disassembled, that can be assembled using power drill.
- ★Installation hardware comes with the item.

Proper Usage

- ✓ Do not expose the item to sunlight directly. Direct sunlight may cause fading of the colors.
- ✓ Please protect upholstery fabric from sharp objects, glue, hot objects, fire and chemical materials.
- ✓ For a better look of your cushions, you can turn them upside down once a week.

Cleaning

- ☑ First, clean your furniture with vacuum cleaner.
- ☑ Please put some pure soap in a bucket of warm water. Make sure that the soap is fully dissolved in the warm water.
- ☑ Before cleaning your furniture, try a test clean in a small area on the back of the seat cushion first.
- ☑ Please wait until cushions and pillows are fully dried.

Dimensional (volumetric) weight: 254

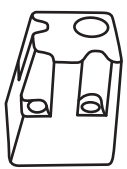


Number of packages:2

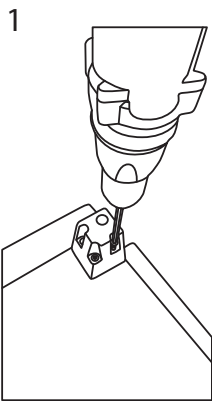
Weight: 77.1 lb / 35 kg (each pack.)

Comfort Corner Sofa

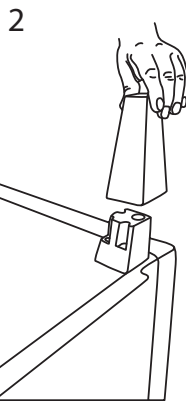
Thank you for choosing our product. Please check carefully all the assembly accessory after opening the package. If you have any questions about assembly, send us an e-mail via assembly@decorotika.com. If you receive a damaged part, please contact to the marketplace you have placed your order. Also send us some photos so that we can file a claim to the carrier. Do not forget referring to the assembly manual in your replacement part request. If you want to return the item, make sure that nothing is missing or damaged. Please put the item in its original box.

Part List

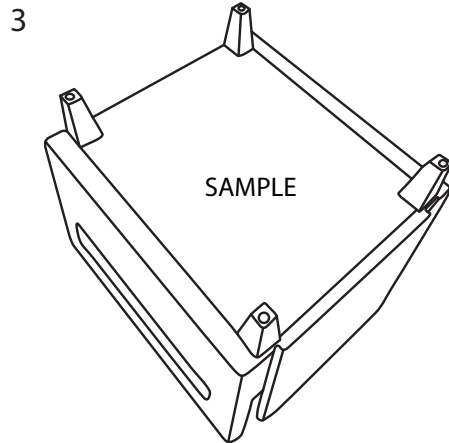
 <p>A: Plastic Leg Body 10 Pieces</p>	 <p>B: Plastic Leg Cover 10 Pieces</p>	 <p>C: 5x50 mm Screw 40 Pieces</p>
--	---	---



➔ First, install the plastic leg body in the predetermined corner, flat sides of the leg body should look to the corner as shown in the picture.



➔ Install leg cover on the leg body by pressing smoothly.



➔ It is necessary to mount 5 legs on the sofa part and 4 legs on the foot extension part.

4 legs should be mounted to the corners and 1 leg should be mounted to the middle of the product.

When the product is reversed, the 5th leg will be mounted on the wedge located in the middle of the product.

