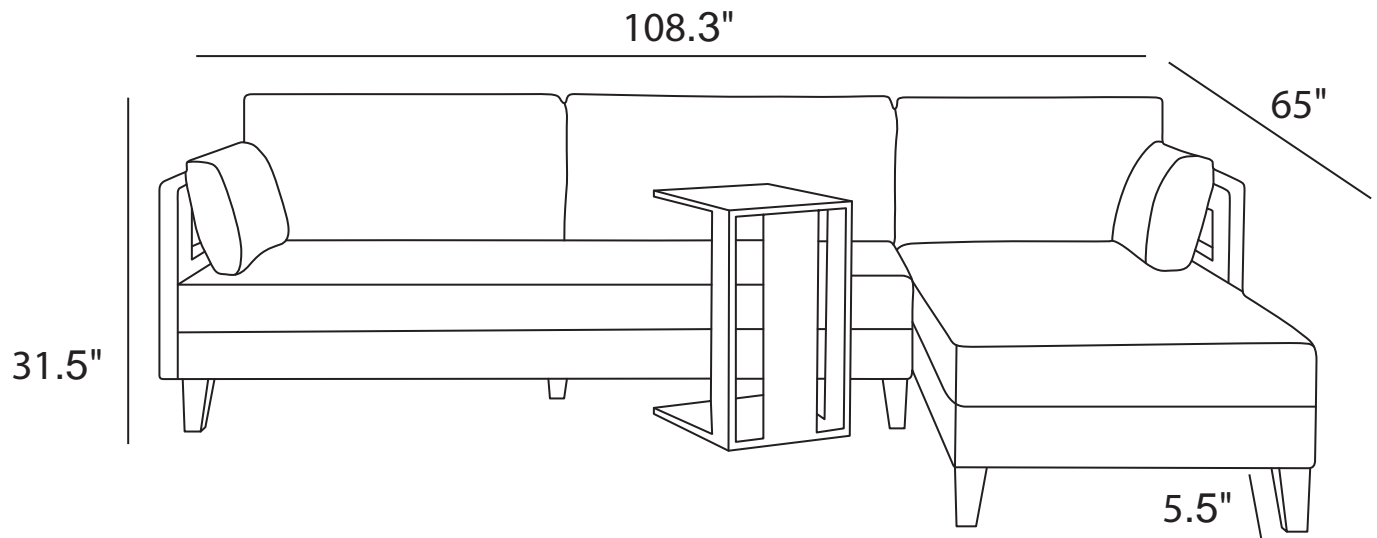


Comfort Corner Sofa

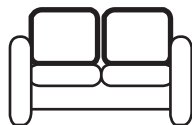


Item Features



- ★The upholstery fabric is manufactured from easily cleanable linen look woven polyester
- ★Cushions are made of 32 density medium hard foam
- ★The item frame is made of first class natural solid beech timber.
- ★Legs are made of solid beech timber.
- ★All materials are made of human health-friendly materials.
- ★Packed with furniture packaging and covered with fine nylon to prevent dust penetration.
- ★Comes as disassembled, two people required for assembly.
- ★You can install the Berger with the Allen key that comes with the item.

Proper Usage



- ✓ Do not expose the item to sunlight directly. Direct sunlight may cause fading of the colors.
- ✓ Please protect upholstery fabric from sharp objects, glue, hot objects, fire and chemical materials.
- ✓ For a better look of your cushions, you can turn them upside down once a week.

Cleaning






- ✘ First, clean your furniture with vacuum cleaner.
- ✘ Please put some pure soap in a bucket of warm water. Make sure that the soap is fully dissolved in the warm water
- ✘ Before cleaning your furniture, try a test clean in a small area on the back of the seat cushion first.
- ✘ Please wait until cushions and pillows are fully dried.

Comfort Corner Sofa

Thank you for choosing our product. Please check carefully all the assembly accessory after opening the package. If you have any questions about assembly, send us an e-mail via assembly@decorotika.com

If you receive a damaged part, please contact to the marketplace you have placed your order. Also send us some photos so that we can file a claim to the carrier. Do not forget referring to the assembly manual in your replacement part request. If you want to return the item, make sure that nothing is missing or damaged. Please put the item in its original box.

Part List

<p>A:</p>  <p>Plastic Leg Body 10 Pieces</p>	<p>B:</p>  <p>Plastic Leg Cover 10 Pieces</p>	<p>C:</p>  <p>5x50 mm Screw 40 Pieces</p>
---	--	--

