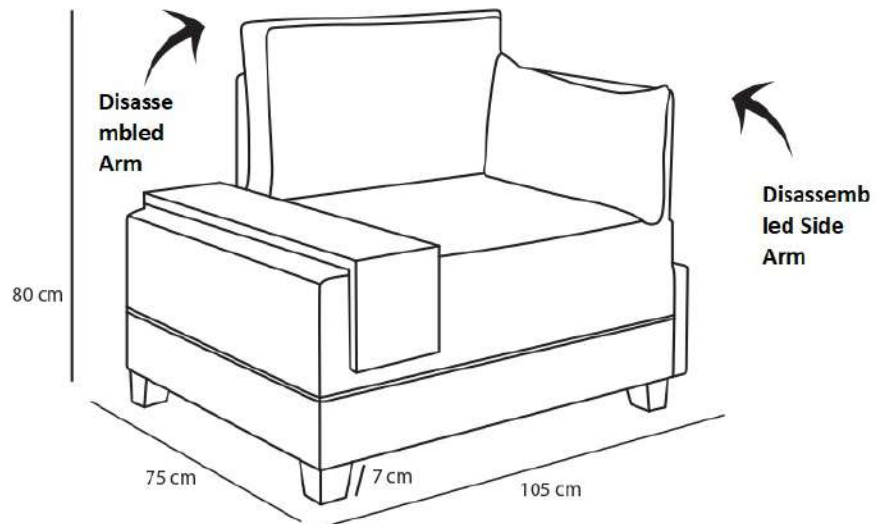


## Fly Single Armchair



### Product Features



**Skeleton** The interior parts of the product are made of 100% timber in the carrier parts and flat flooring sections are supported with particle board. In the parts where the feet are mounted, 100% solid timber is used to support the carriers.

**Foot** The legs are made of hard plastic with high bearing capacity prepared in molds.

**Sponge** Session sponges 12 cm 32DNS Soft Sponge Gray.

**Pillow** It is a filling material produced from sugar crumb sponge.

**Fabric** The fabric is a blend of 100% locally produced woven polyester and cotton.

**Suitability** Manufactured with materials suitable for the environment and children's health.

**Installation** The legs and back parts of the product are sent disassembled. You need to place the back pieces from the package until the end of the channel we have prepared.

**Assembly** You can assemble the product legs with a rechargeable screwdriver.

**Content** Legs and fasteners are included in the product package.

### Appropriate Use



- ✓ Do not expose sofas to direct sunlight. Sunlight can cause the surfaces to fade.
- ✓ Fabric upholstered furniture must be protected against sharp objects, sticky or hot substances, chemicals and fire.
- ✓ When sitting on products such as sofas, armchairs and chairs, sliding backwards with these products or stretching the products in a similar way disrupts the skeletal structure of the products and damages their durability.
- ✓ Once a week, fluffing the cushions of your sofa and turning them upside down can be useful for a neat look.

### Cleaning



- ☐ First, with the appropriate tip of the vacuum cleaner, you should vacuum the joints of your sofa, including the pillows, the connection parts of the sofa arm with the back and cushion, the cushions belonging to the product, and the fabric surfaces on the skeleton underneath, provided that they are vacuumed.
- ☐ In a bucket of warm water, add soap without active ingredients and make sure it dissolves. If you use shampoo, be sure to check the ingredients.
- ☐ We recommend that you first try wiping your sofa in a small area on the back of the product.
- ☐ Please let the cushions and pillows dry before putting them together.

Thank you for purchasing our product. Please remember to carefully check the installation materials included in the package. Make sure they are not inside the package before discarding it.

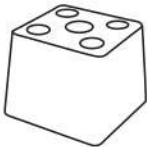


**To accept the return of the product;**

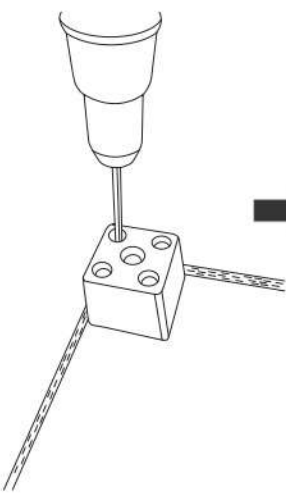
Send the product with the delivery note sent to you.

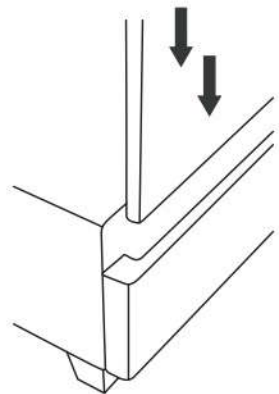
The original box/packaging of the product must be intact, undamaged, complete, complete, and must not have lost its resalability. Otherwise, the product damage cost will be notified to the sales platform authorized by you.

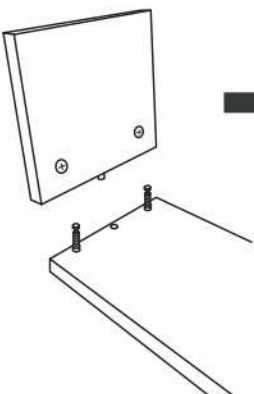
Packaging standards are very important to ensure that the products reach you intact. Please repackage the product to the same standard if you have unpacked it before returning it. All standard accessories must be sent undamaged and complete with their original packages. If the legs of the product are assembled, they must be disassembled before returning.

Absolutely no returns can be made for products that have been installed and assembled.

Items		
A: 	B: 	C: 
<b>Plastic Legs</b> 4 pcs	<b>5x50 Screw</b> 16 pcs	<b>Arm Stand Box</b> 1 piece

1  → 5x50 Screw

2 Insert the disassembled back module into the cavity and press firmly. 

3  → Screws for arm table installation are included in the box. 